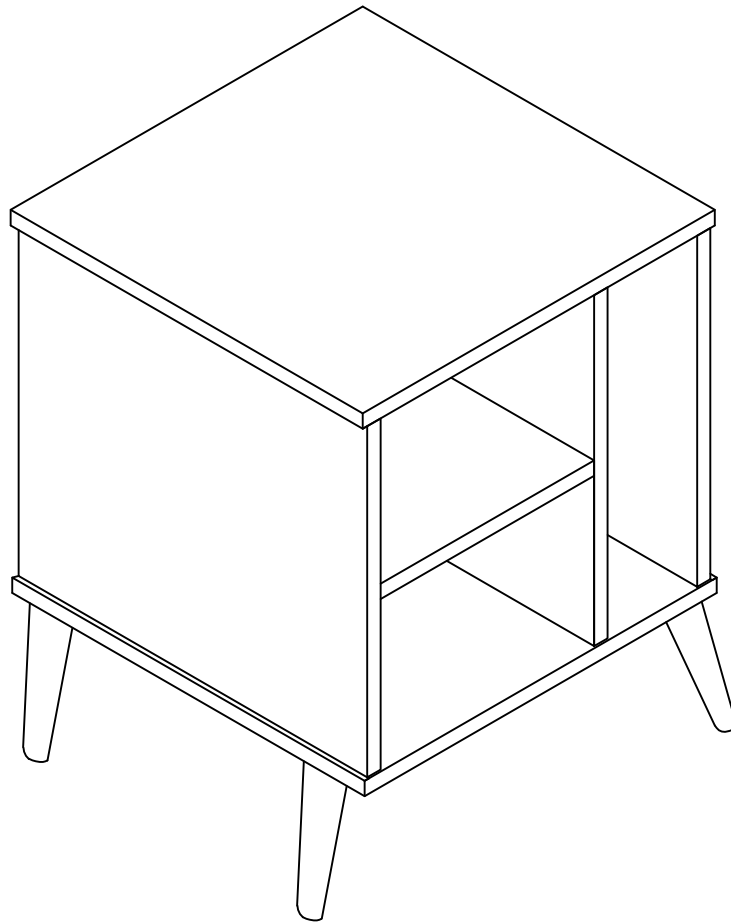


**Night Stand**  
**Assembly Instructions**  
**Contains One Night Stand and Hardware**



# Night Stand

Contains One (1) Night Stand and Hardware

## IMPORTANT NOTE:

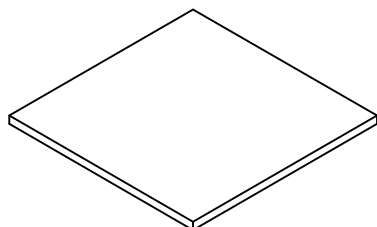
Carefully remove all the parts from the box. Arrange on a flat surface and verify you have all of the following parts and hardware.  
For customer support please call 314-993-2693.

## TOOLS REQUIRED:

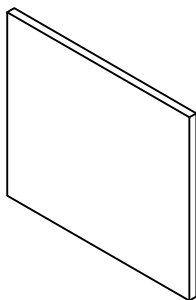
-Phillips Screwdriver  
-Hammer

# PARTS LIST

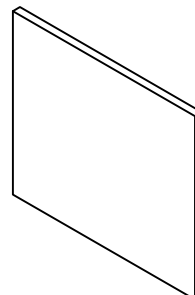
1.Top Panel (1 PC)



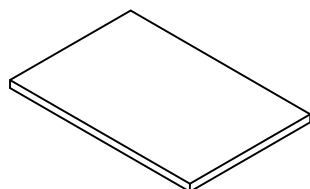
2.Left Side Panel (1 PC)



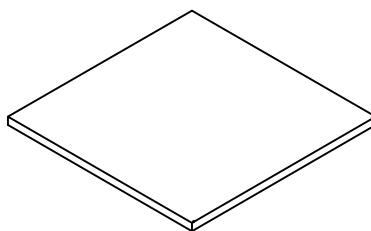
3.Middle Panel (1 PC)



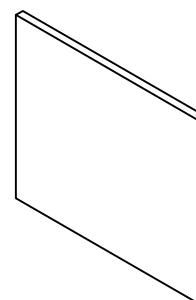
4.Shelf Panel (1 PC)



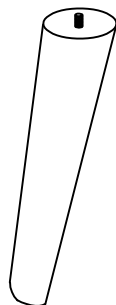
5.Bottom Panel (1 PC)



6.Right Side Panel (1 PC)

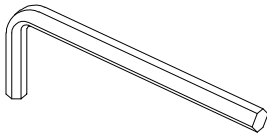


7.Legs (4 PCS)

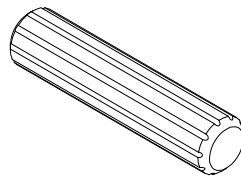


# HARDWARE LIST

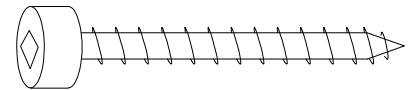
A.Allen Key (1 PC)



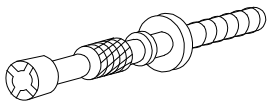
B.Dowel (12 PCS)



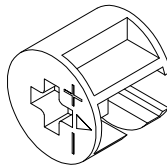
C.JCBC W Screw M6x40 (6 PCS)



D.Minifix Bolt (6 PCS)



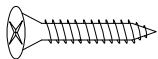
E.Minifix House (6 PCS)



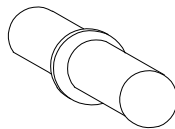
F.Minifix Cap (6 PCS)



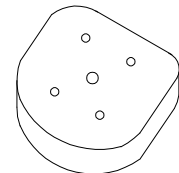
G.Screw 20mm (16 PCS)



H.Shelf Support Metal (4 PCS)



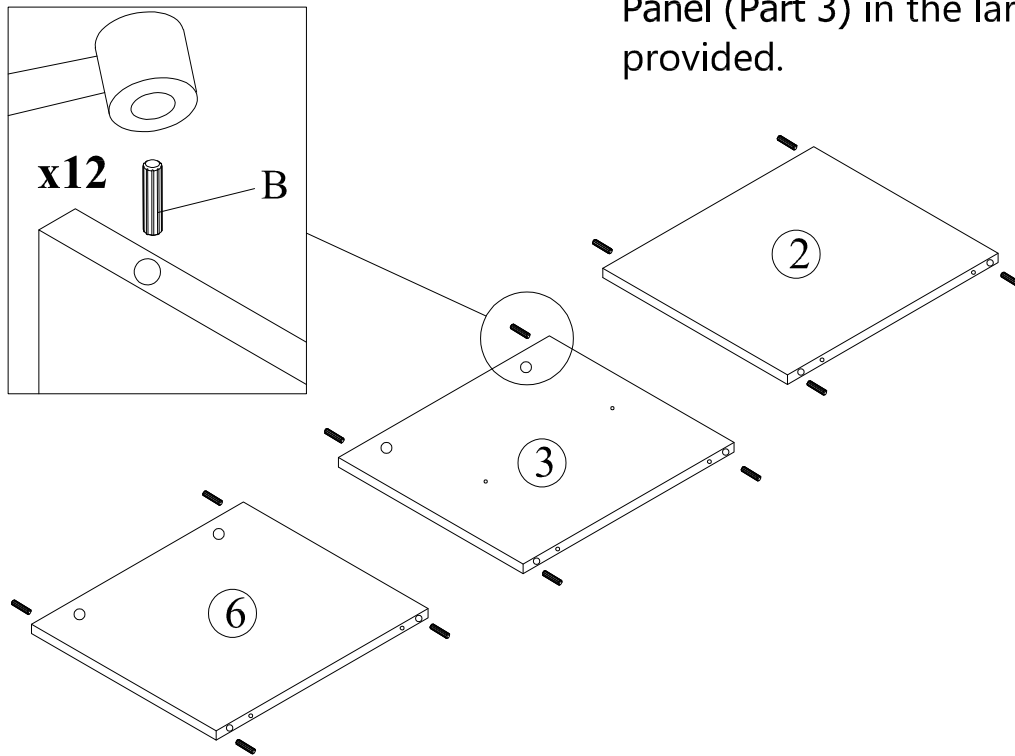
I.Mounting Leg (4 PCS)



# ASSEMBLY INSTRUCTIONS

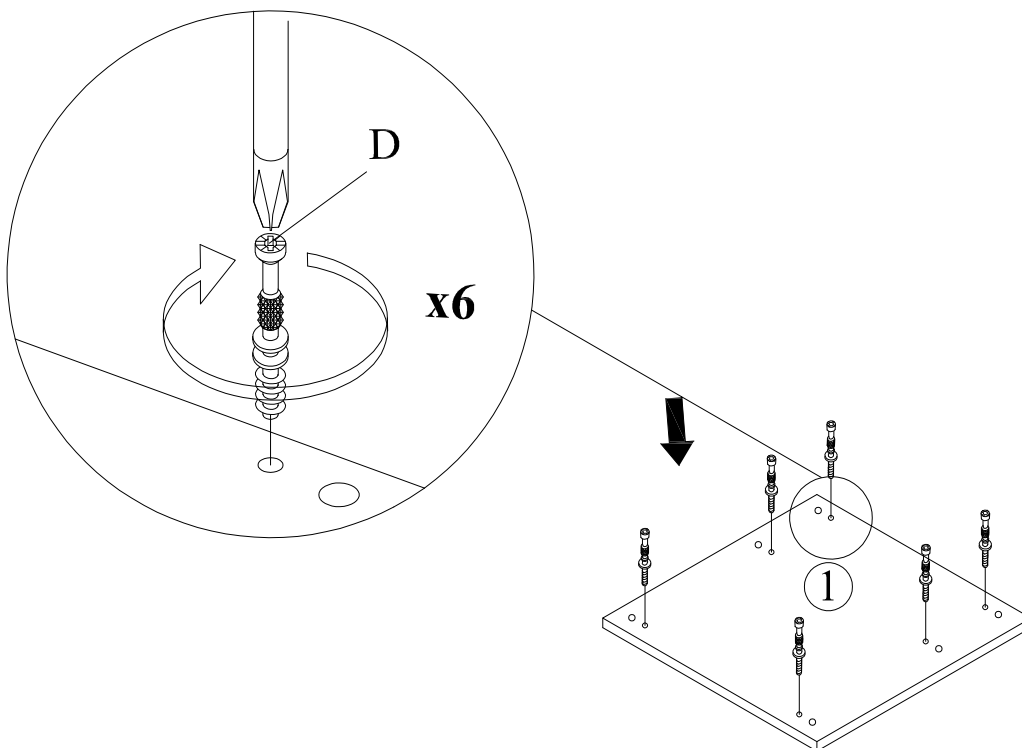
## STEP 1

Tap Dowels (Part B) into the Left and Right Side Panel (Part 2,6) and Middle Panel (Part 3) in the larger holes provided.



## STEP 2

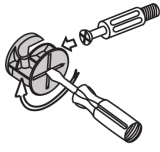
Using a Phillips Head Screwdriver, attach Minifix Bolts (Part D) to the Top Panel (Part 1).



# ASSEMBLY INSTRUCTIONS

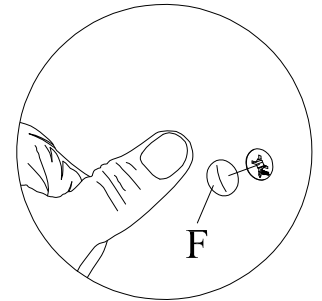
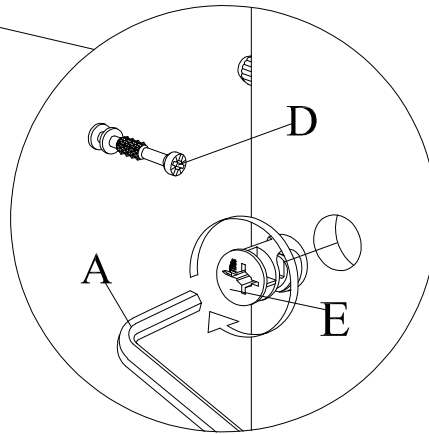
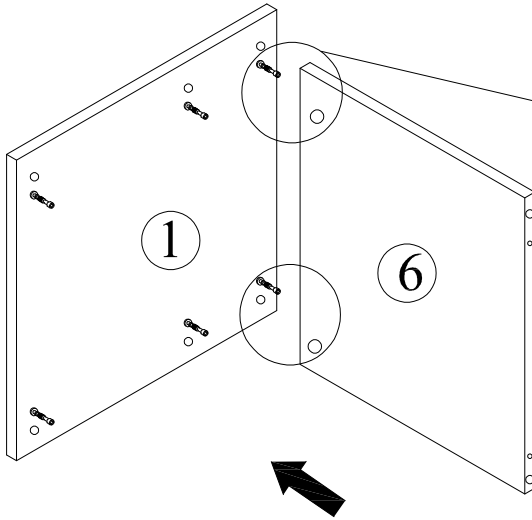
## STEP 3

This is how a mini fix works...



The head of the mini fix housing goes into the open mouth of the mini fix bolt. You then turn the mini fix housing so it tightens over the mini fix bolt.

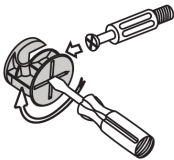
Insert the Minifix House (Part E) to the Right Side Panel (Part 6) and make sure the open side of the Minifix House (Part E) is facing the opening on panels. Attach the Right Side Panel (Part 6) as shown. Turn the Minifix House (Part E) to tighten using the Allen Key (Part A) or screwdriver. Cover the Minifix House using the Minifix Cap (Part F) by pressing it into the Minifix House.



*\*Attach Minifix Cap as shown.*

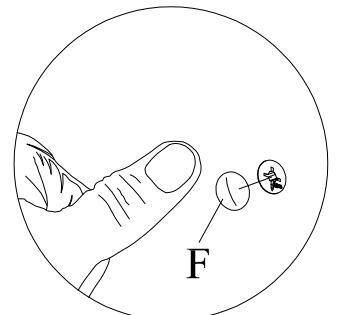
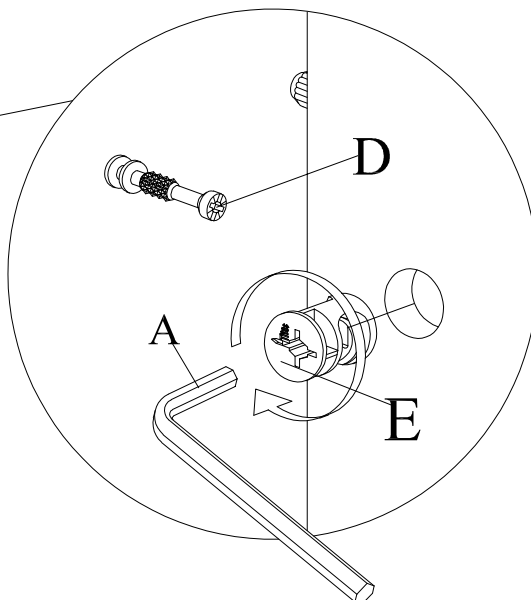
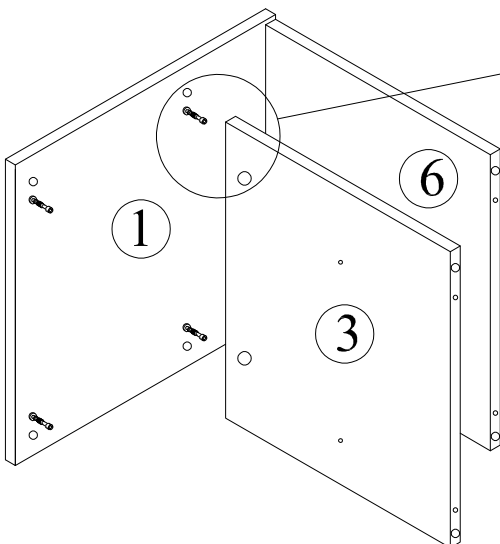
## STEP 4

This is how a mini fix works...



The head of the mini fix housing goes into the open mouth of the mini fix bolt. You then turn the mini fix housing so it tightens over the mini fix bolt.

Insert the Minifix House (Part E) to the Middle Panel (Part 3) and make sure the open side of the Minifix House (Part E) is facing the opening on panels. Attach the Middle Panel (Part 3) as shown. Turn the Minifix House (Part E) to tighten using the Allen Key (Part A) or screwdriver. Cover the Minifix House using the Minifix Cap (Part F) by pressing it into the Minifix House.

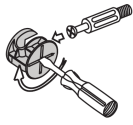


*\*Attach Minifix Cap as shown.*

# ASSEMBLY INSTRUCTIONS

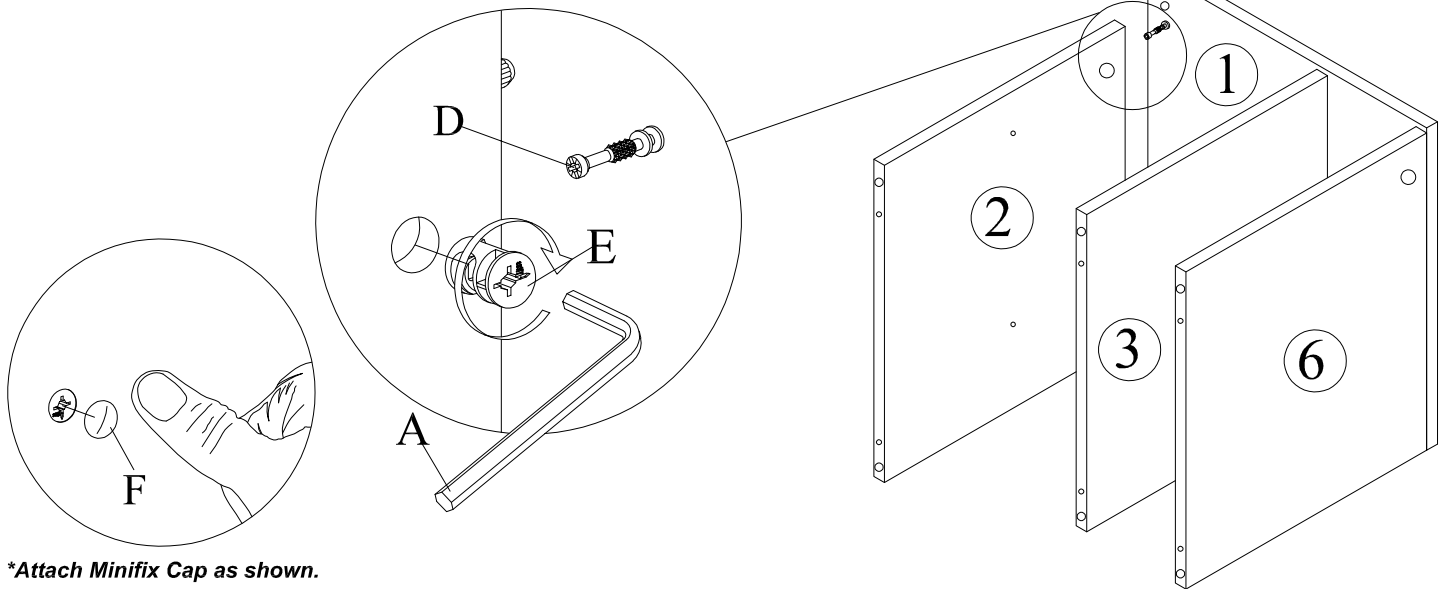
## STEP 5

This is how a mini fix works...



The head of the mini fix housing goes into the open mouth of the mini fix bolt. You then turn the mini fix housing so it tightens over the mini fix bolt.

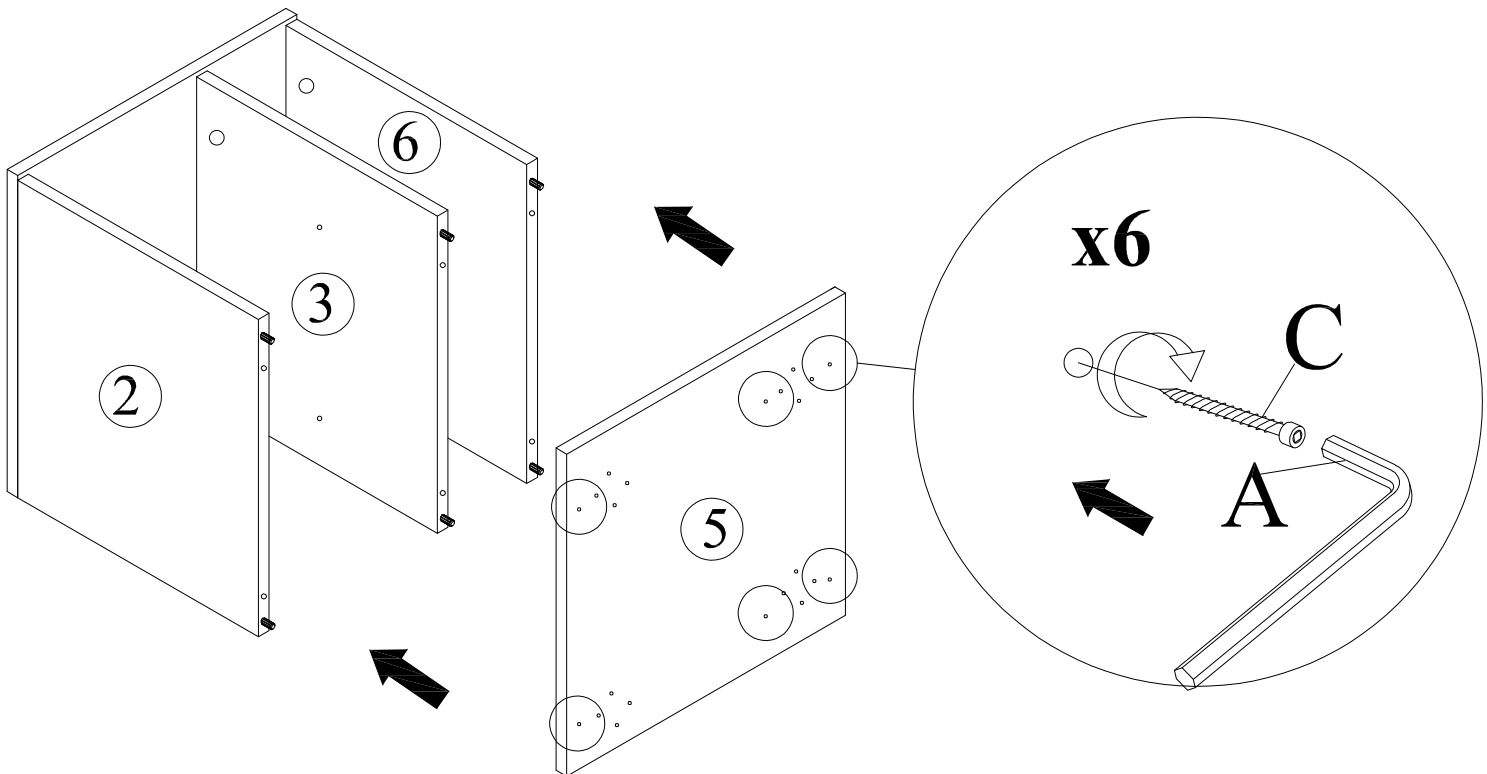
Insert the Minifix House (Part E) to the Left Side Panel (Part 2) and make sure the open side of the Minifix House (Part E) is facing the opening on panels. Attach the Left Side Panel (Part 2) as shown. Turn the Minifix House (Part E) to tighten using the Allen Key (Part A) or screwdriver. Cover the Minifix House using the Minifix Cap (Part F) by pressing it into the Minifix House.



*\*Attach Minifix Cap as shown.*

## STEP 6

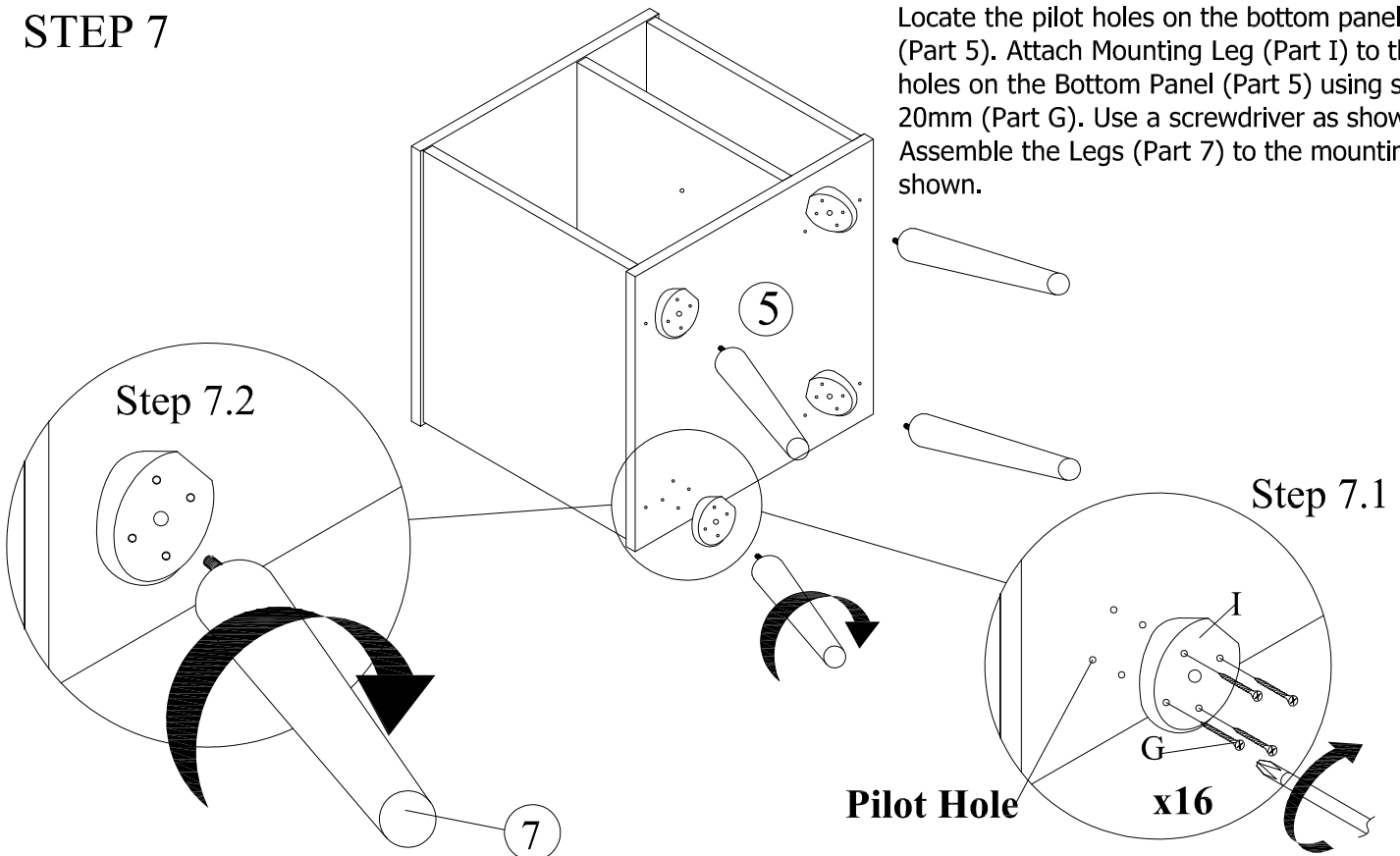
Attach Bottom panel (part 5) using JCBC W (part C), use allen key (Part A) as shown to tighten.



# ASSEMBLY INSTRUCTIONS

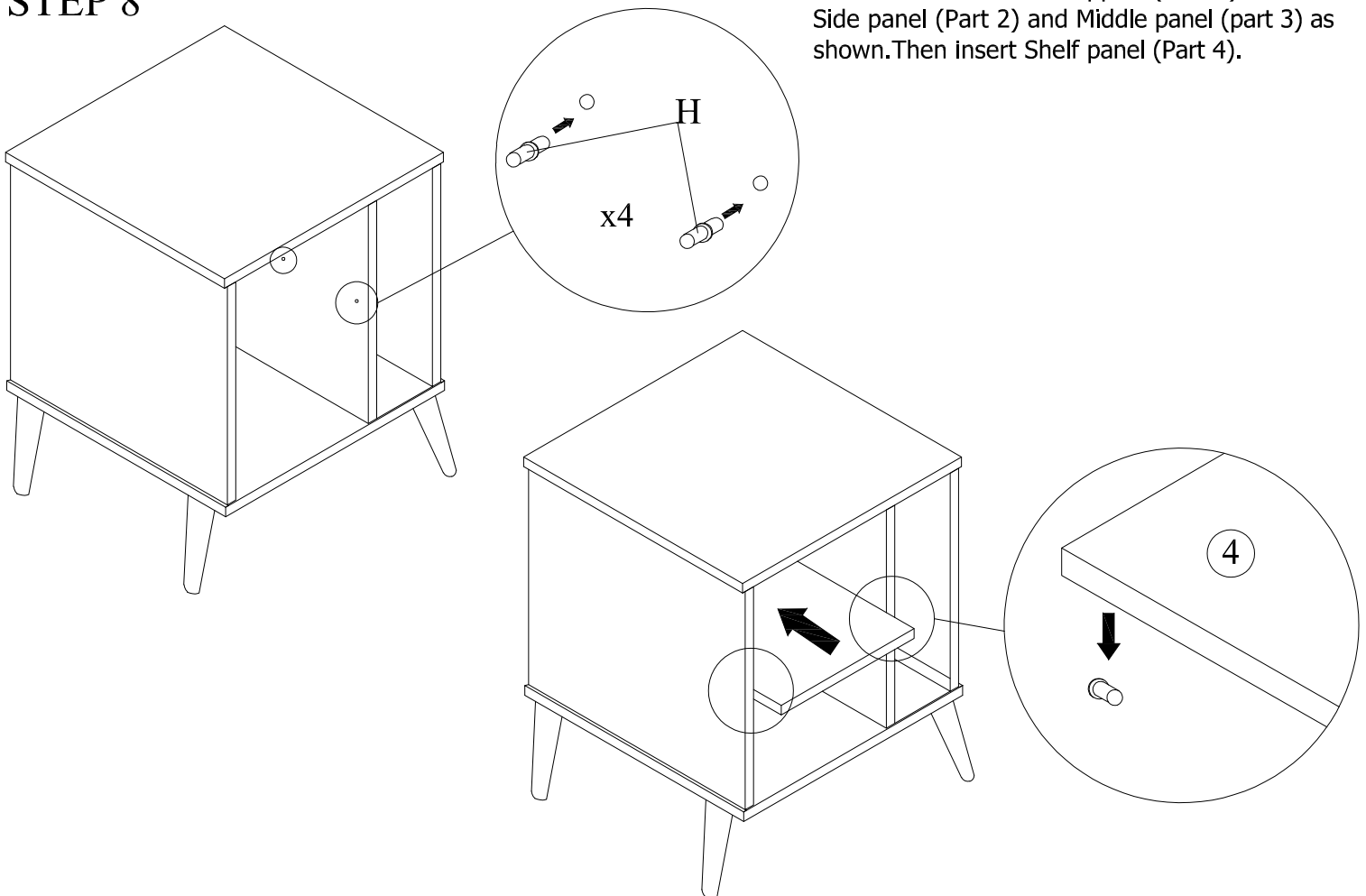
## STEP 7

Locate the pilot holes on the bottom panel (Part 5). Attach Mounting Leg (Part I) to the pilot holes on the Bottom Panel (Part 5) using screw 20mm (Part G). Use a screwdriver as shown. Assemble the Legs (Part 7) to the mounting leg as shown.



## STEP 8

Insert the Shelf Metal Support (Part H) to the Left Side panel (Part 2) and Middle panel (part 3) as shown. Then insert Shelf panel (Part 4).



# ASSEMBLY INSTRUCTIONS

YOUR NIGHTSTAND IS NOW READY FOR USE

