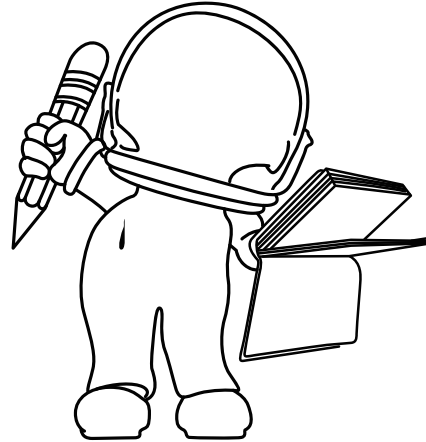


# **Assembly Instructions**



## CUSTOMER CARE



**Congratulations  
Happy shopping  
Feel free to share with your friends or family  
Thank you for your 5-star feedback and positive  
reviews to help others  
Good advice leads to the best service**



**We apologize for the bad shopping experience  
Any defects, broken, missing pieces, delays or  
accidents Please contact us as soon as possible**

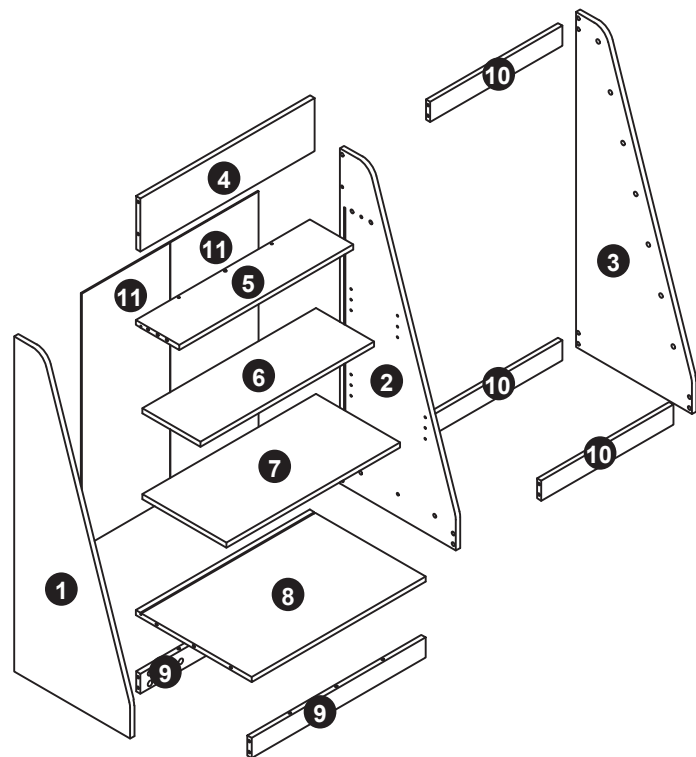
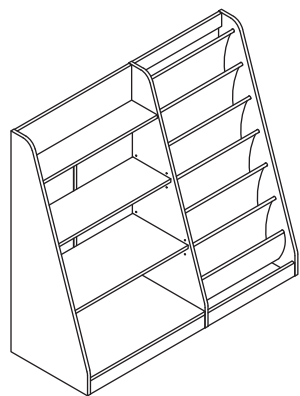
## NOTICE:

- ▶ Basic precautions should always be followed when using this product. Please read all instructions before using the cabinet and retain the education for future reference.
- ▶ Failure to observe all instructions and warnings may cause severe property damage or personal injuries.
- ▶ When unpacking, please be careful don't cut too deep to damage the products in the box. Just use the blade to scratch the parcel tape.
- ▶ Check the product and hardware accessories in the box; and confirm whether the instructions are complete.
- ▶ When installing, please pay attention to the protection of the parts. The soft material must be placed under the product, and please carefully handle it to avoid surface damage.
- ▶ After the assembly is completed, please adjust the placement position according to the actual situation.
- ▶ Keep children away from cabinets, accessories, and installation tools. They are at risk of injury to the child.
- ▶ Two people are recommended for assembly.
- ▶ If you need the electronic manual, please contact our customer service to get it.

## Part List

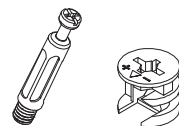


Open the package, and put the item on the mat with care. Please install it carefully to ensure your fingers will not be scratched.



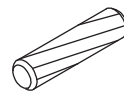
## Hardware List

**A**



x34 (+1)

**B**



M8\*30mm  
x9 (+1)

**C**



x6 (+1)

**D**



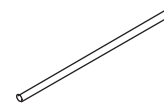
x4 (+1)

**E**



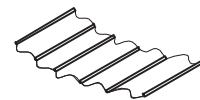
M3.5\*14mm  
x4 (+1)

**F**



x7

**G**



x1

**H**

M4\*40mm  
x2 (+1)

**I**



x8

**J**



x1

**K**



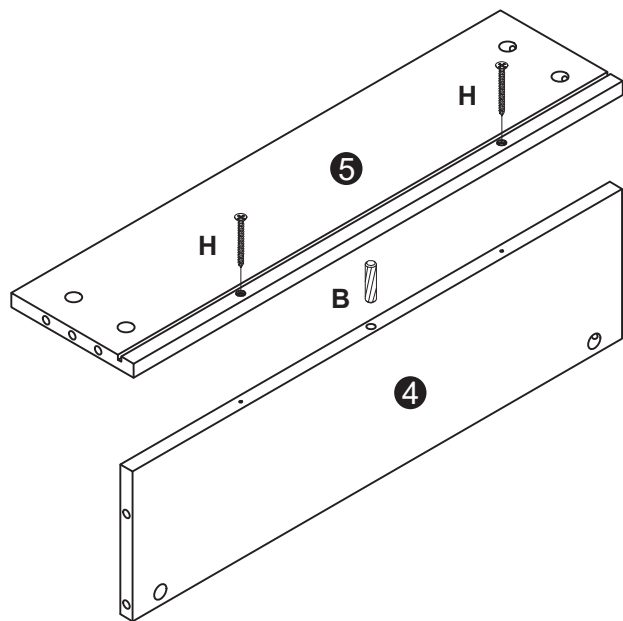
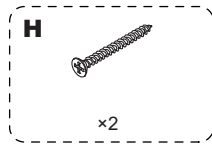
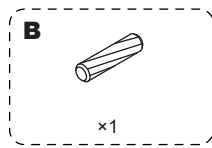
x1

M3.5\*14mm

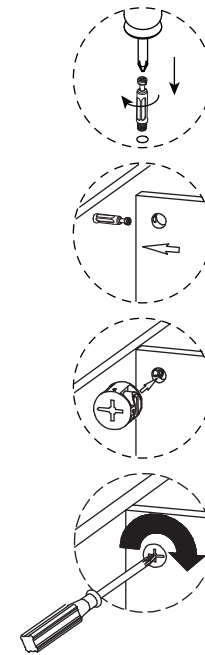
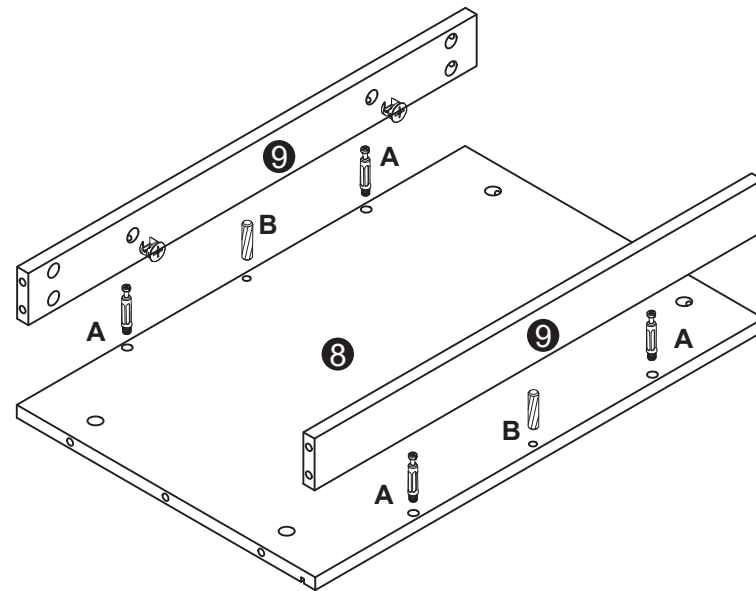
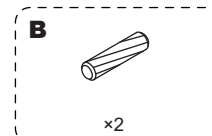
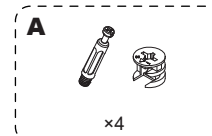
M4\*25mm

**Start...**

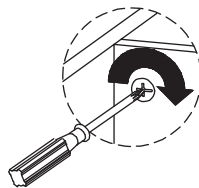
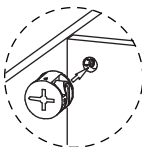
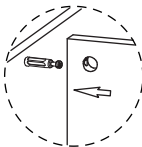
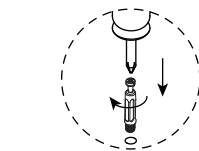
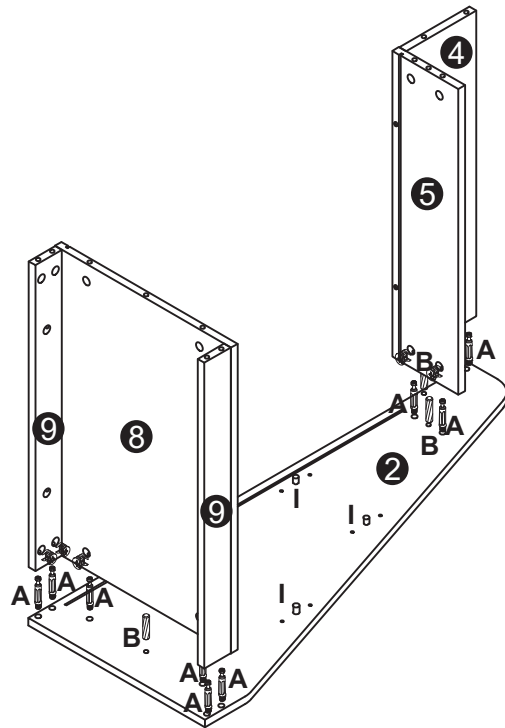
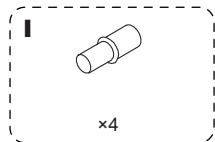
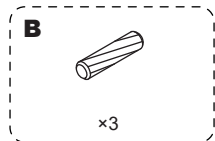
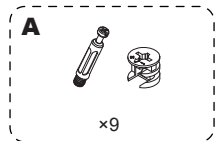
**| Step1**



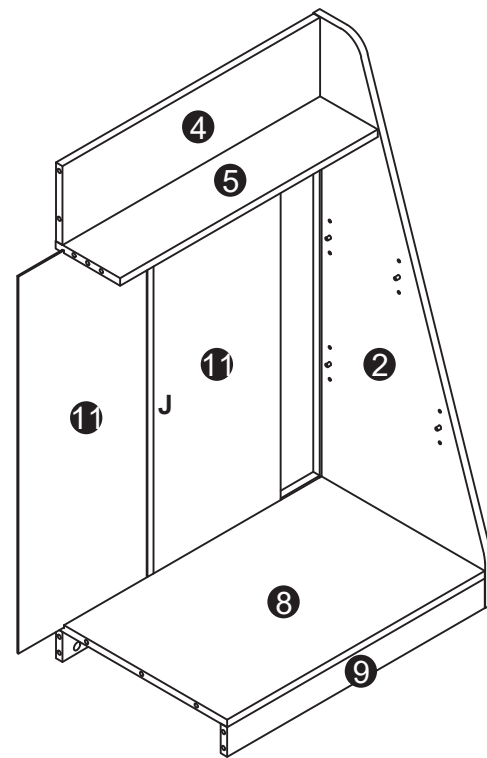
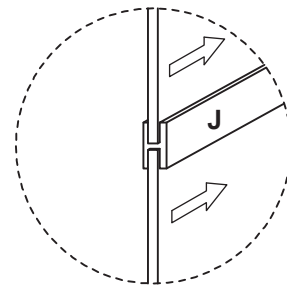
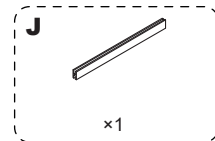
**| Step2**



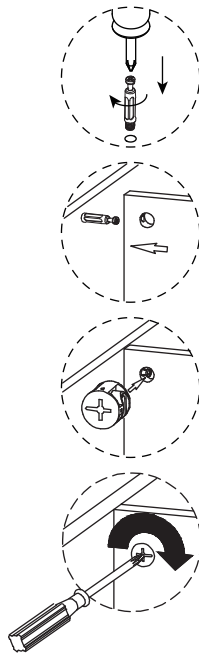
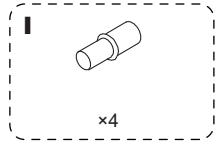
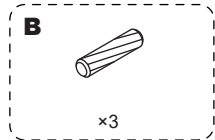
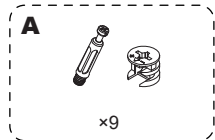
### | Step3



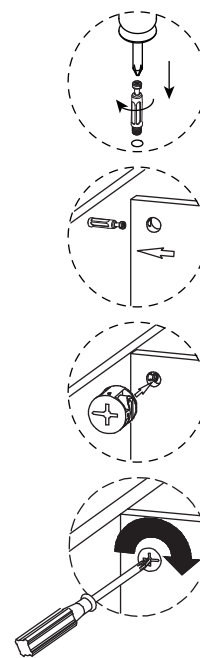
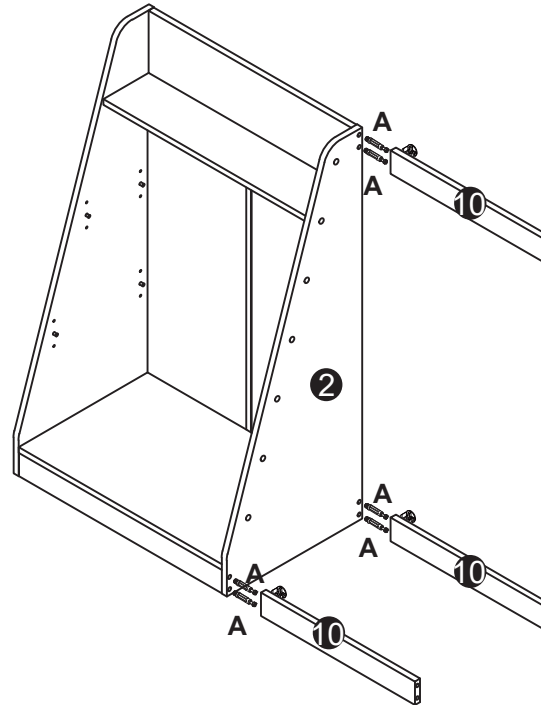
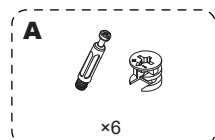
### | Step4



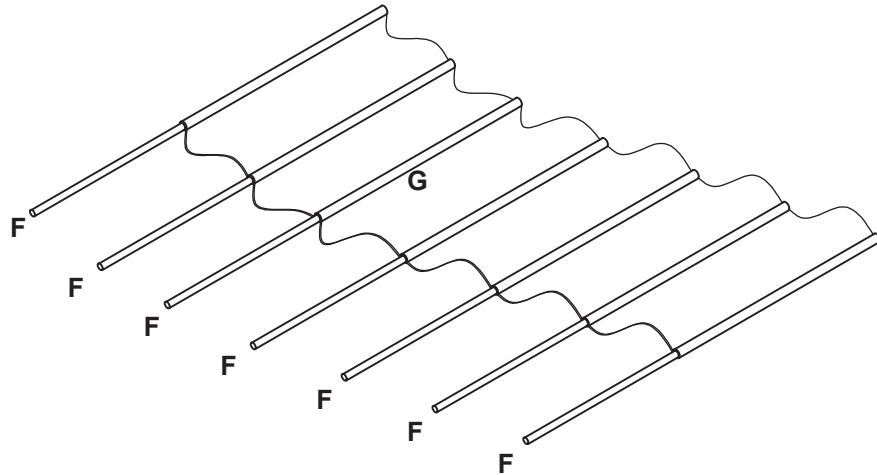
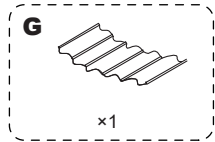
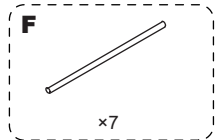
| Step5



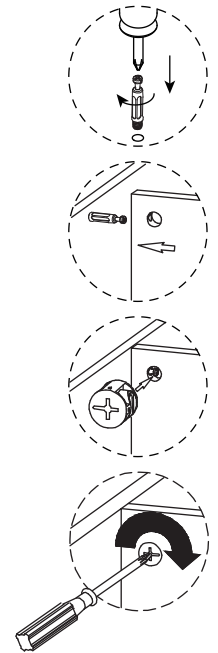
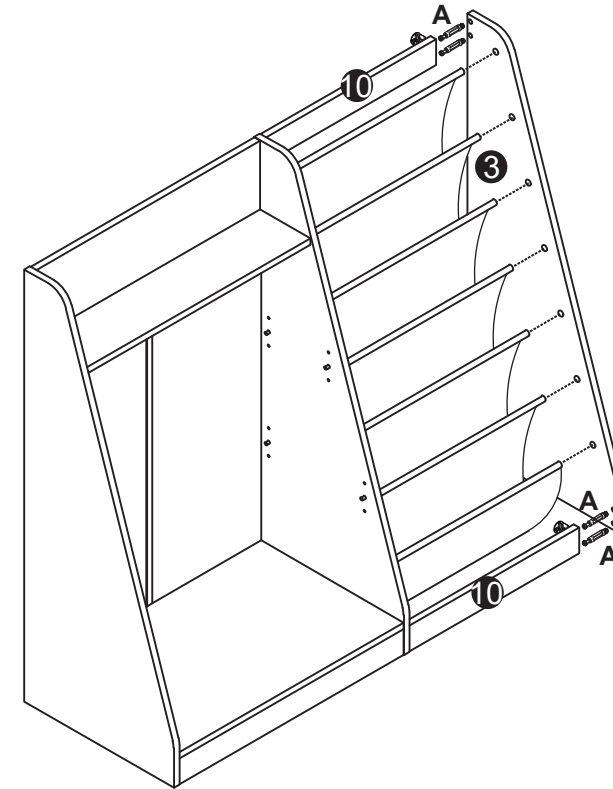
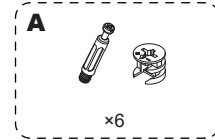
| Step6



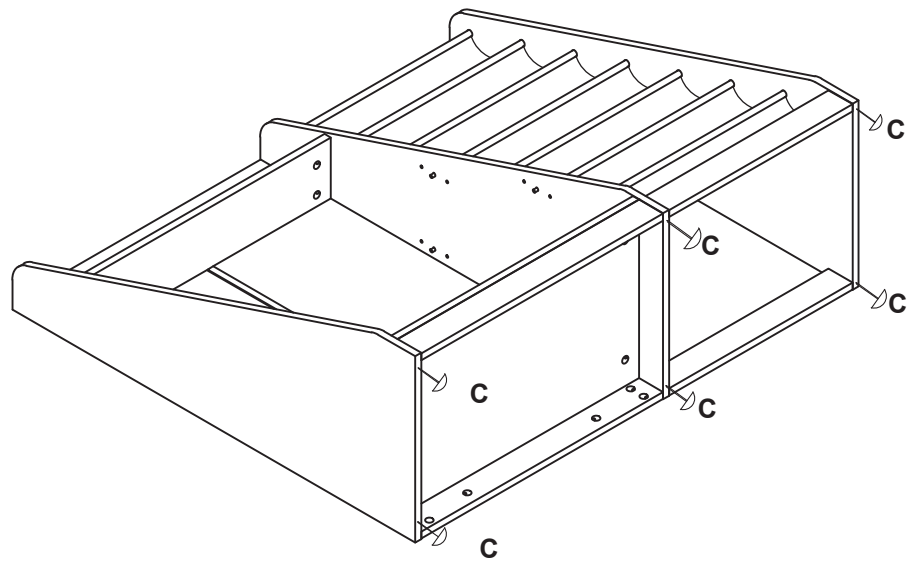
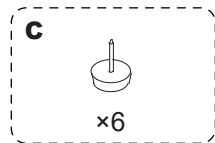
| Step7



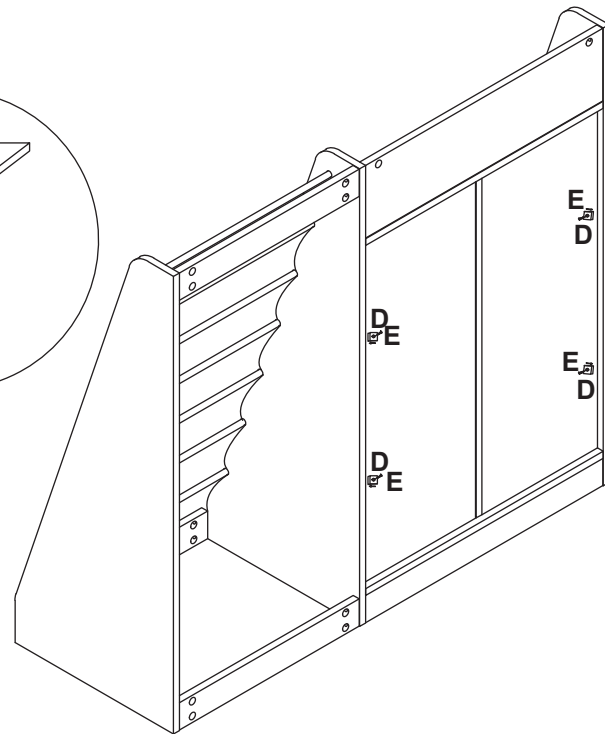
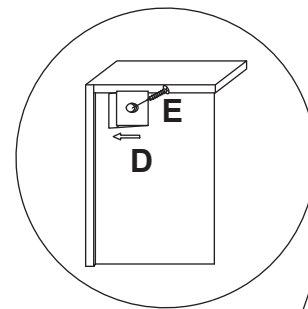
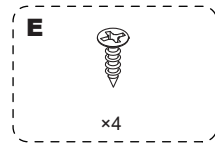
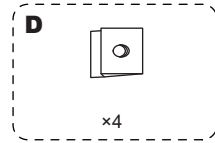
| Step8



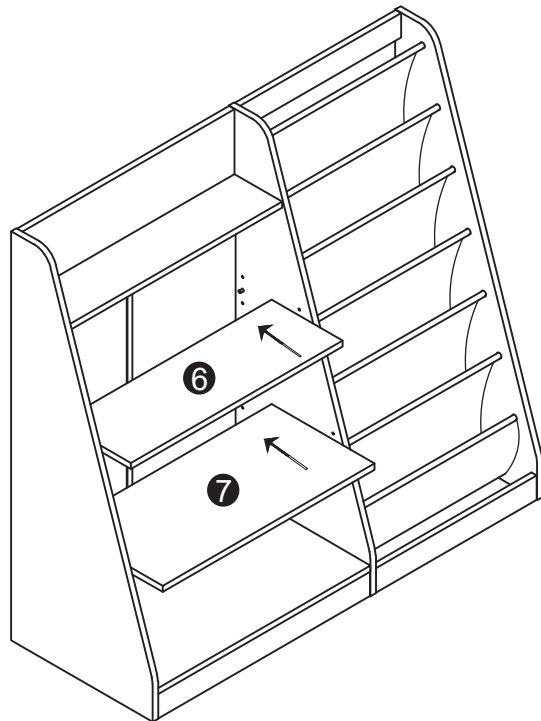
| Step9



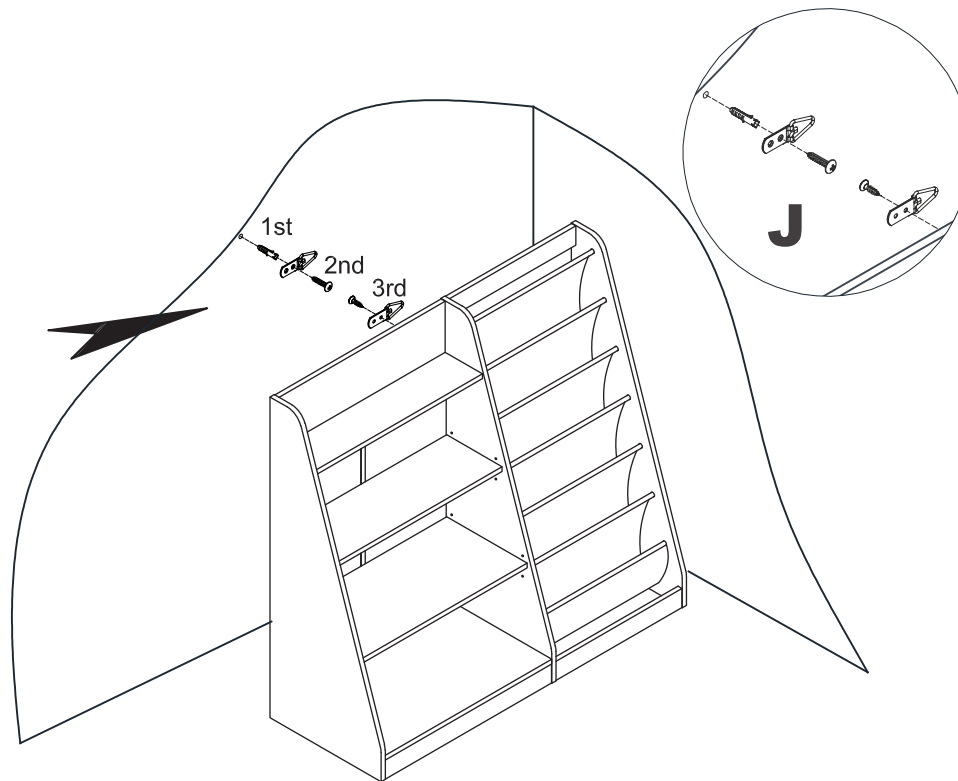
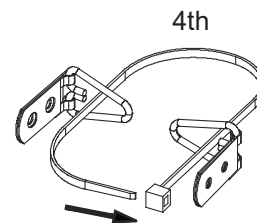
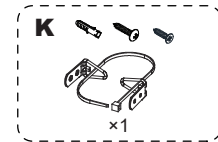
| Step10



### | Step11



### | Step12



#### NOTE

Take the same measurement and make a mark on the wall.  
Drill on the mark and insert the stud in the hole.  
Use a hammer to lightly tap the stud into the wall.