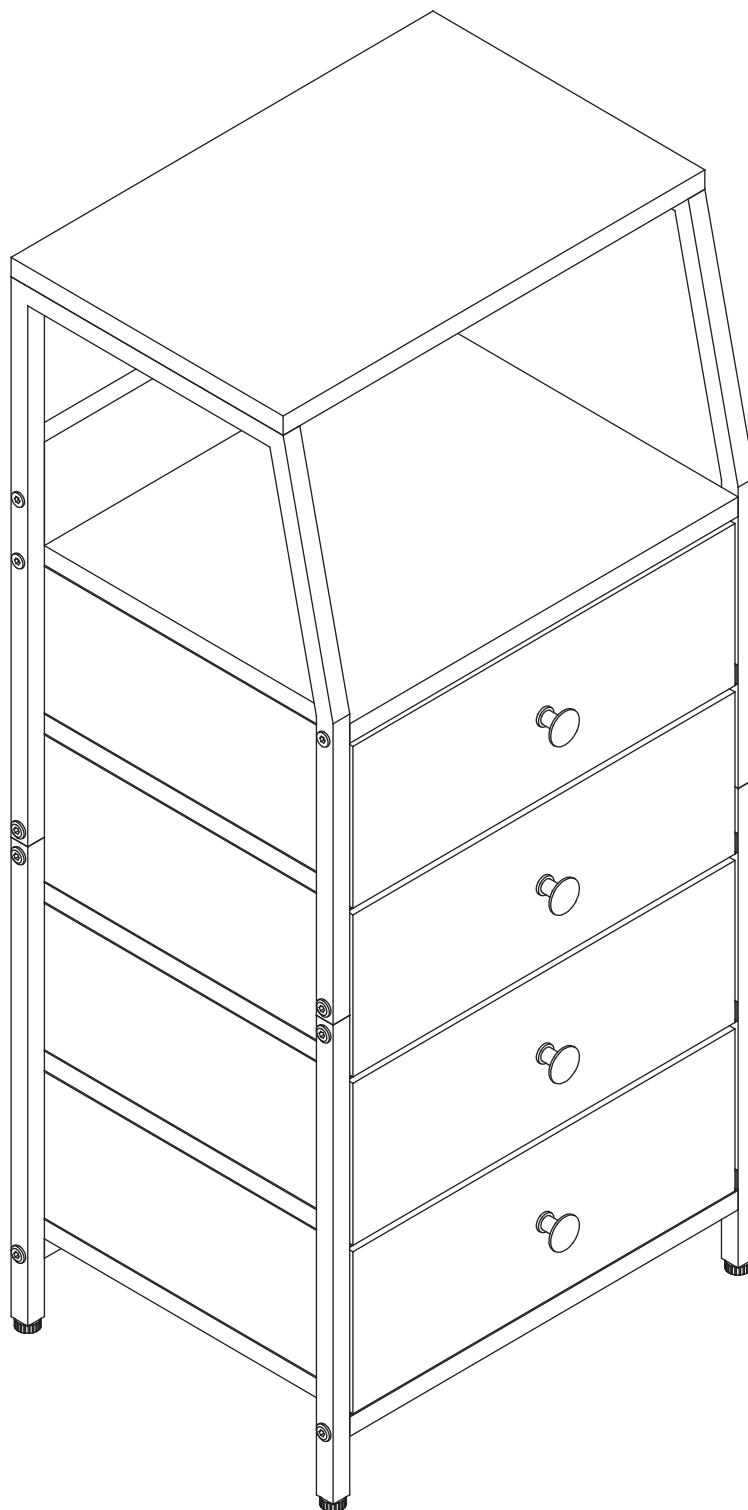


Fabric Dresser



CUSTOMER SERVICE

Assembly Instruction

- 1、 Check out our Youtube channel (**Kinsley Home Studio**) for step-by-step installation video.
- 2、 Please organize all pieces so that you can follow the instruction for smooth assembly.
- 3、 During the assembly, it is suggested that you make sure all the screws in the right position before finally tightening them.
- 4、 Note to self, don't be so excited and slow down and read the instructions step by step.
- 5、 Clear up enough space for the installation and remove any obstacles in the way.
- 6、 The product could be assembled by one person, but would recommend two.
- 7、 If any problems, please contact us via email for support and replacement: service@kinsleyhome.com and you will get reply within 24 hours.

1-Year Warranty

We offer 1-year warranty starting from the purchase date during normal use. But if any problems, please contact us via email for support and replacement: service@kinsleyhome.com and you will get reply within 24 hours.

More Efficient Response

To make us understand the exact problem and solve the problem more effectively, it would be better if you can send us the order ID and attach the pictures or videos illustrating the problems via service@kinsleyhome.com.

Problems You May Encounter

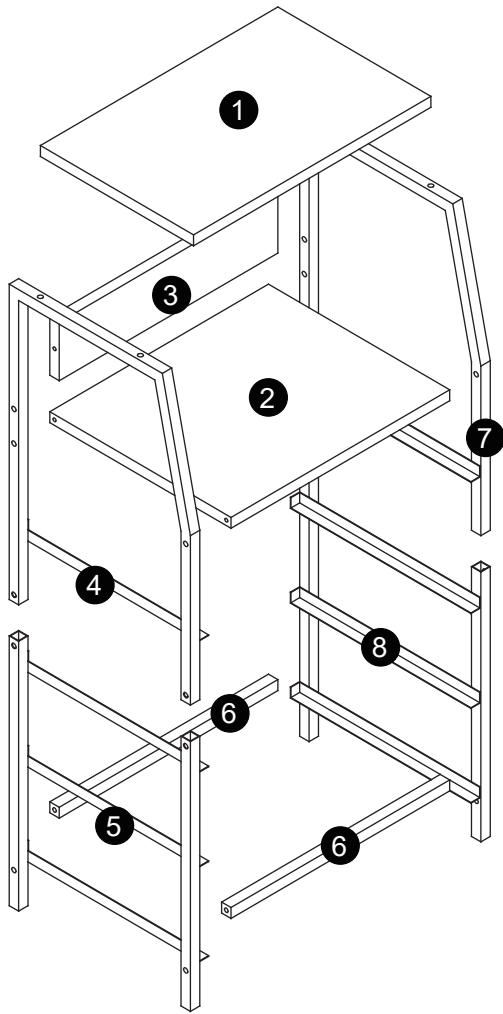
Note	Problem	Solution
Dear Customer, Although we take great care to ensure our products are free from common market issues in material selection, production process and quality control, we understand that unexpected situations can still arise. If you encounter any difficulties or require assistance, please don't hesitate to reach out to us via email Our dedicated team is always here to help and provides solutions within 24 hours.	If you have difficulty installing this product	Contact us via your order page or service@kinsleyhome.com for a detailed installation video and personalized assistance to ensure successful installation and seamless usage of our product.
	Parts are missing, defective, or wrong parts in the package	Contact us via your order page, and we will respond within 24 hours. Alternatively, you could also contact us through our after-sales email:
	Board surface is broken, scratched, or lacks some screw holes	Contact us via your order page, and we will respond within 24 hours. Alternatively, you can reach us through our after-sales email:
	The steel frame is bent, broken, painted, rusted, or damaged	If possible, you can take some photos of the bent part first, and then try to restore the iron frame to its original shape to make it work, then send us the picture and problems, and we will offer you a satisfactory answer.

If you can't finish the installation, please feel free to contact us via your order page or Email:

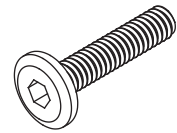
TURN THE PAGE FOR ASSEMBLY MANUAL →

ASSEMBLY INSTRUCTION

P.1

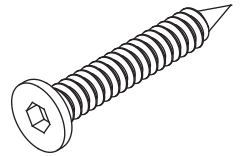


Ax8

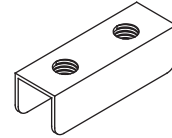


M6x25mm

Bx6



Cx4

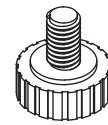


Dx8

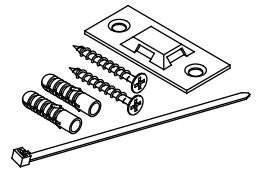


M6x10mm

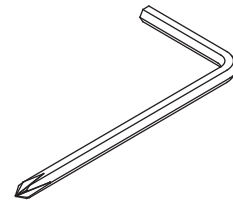
Ex4



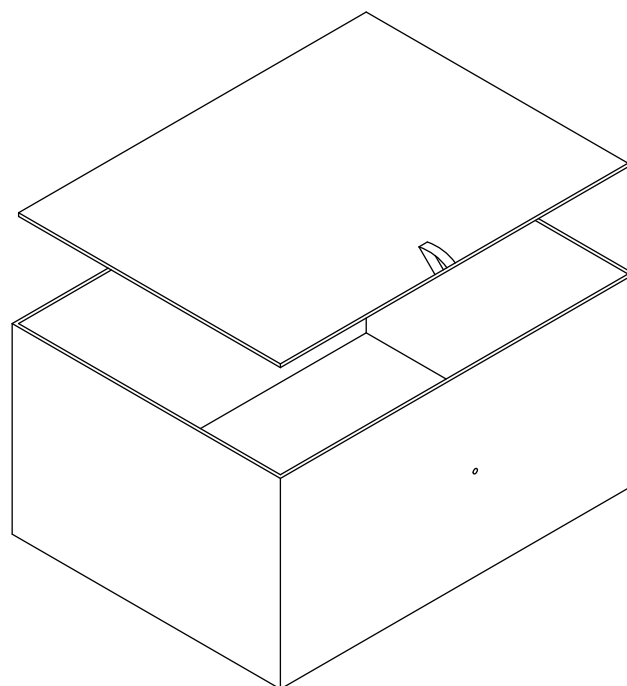
Fx1



Gx1

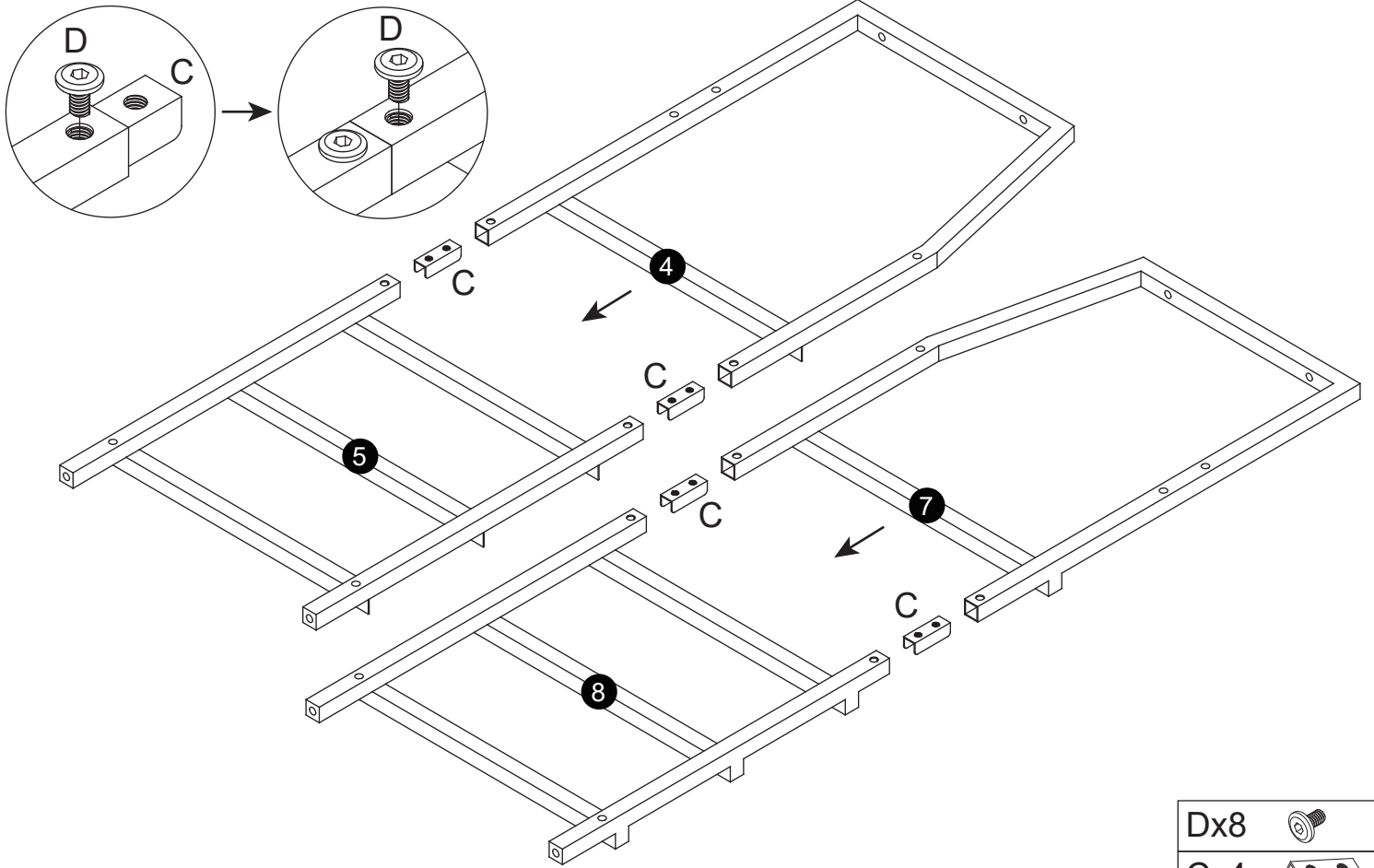




Drawer code	Quantity
PJ1000_0000	4



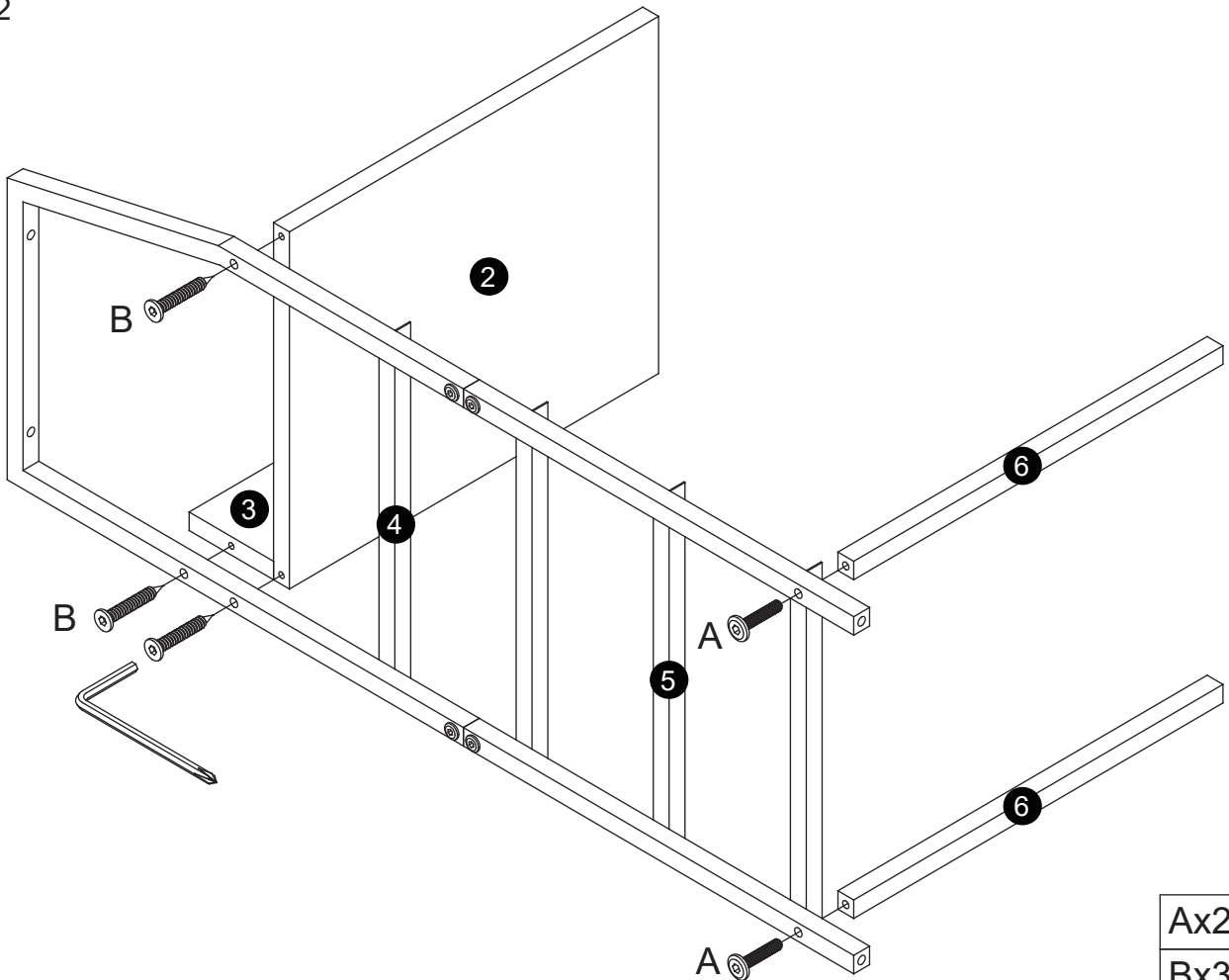
ASSEMBLY INSTRUCTION



STEP 1



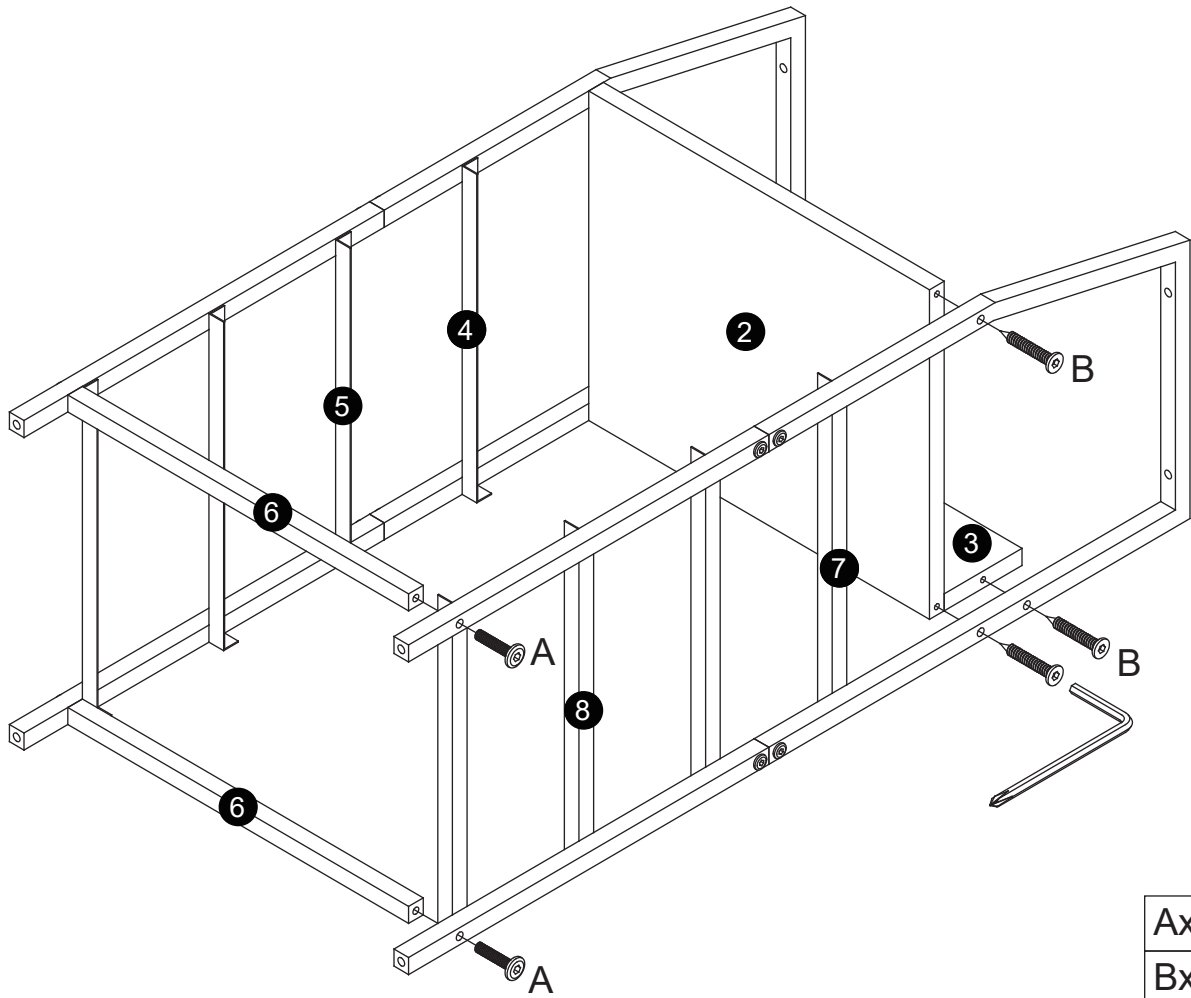
Dx8	
Cx4	

STEP 2

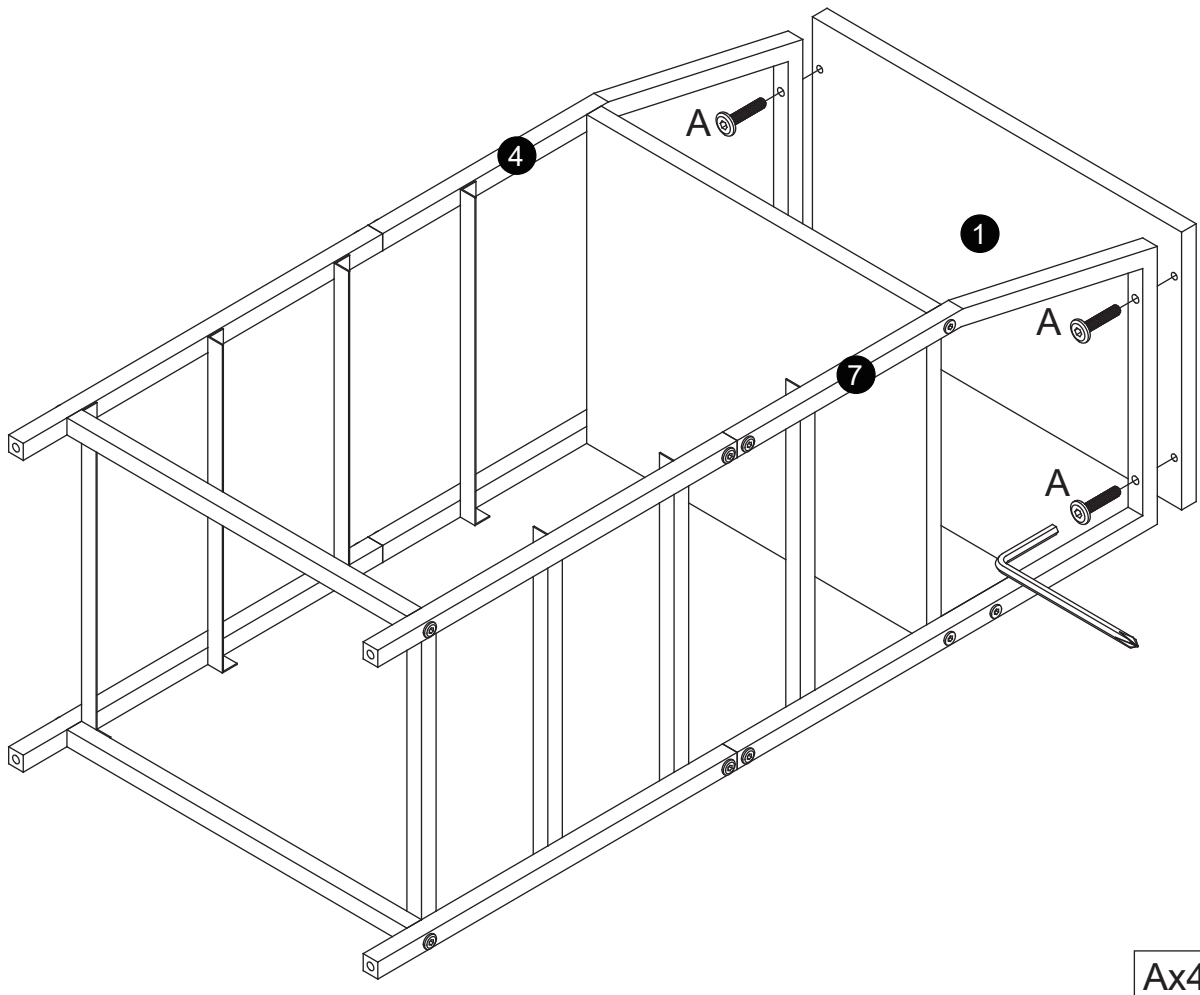


Ax2	
Bx3	

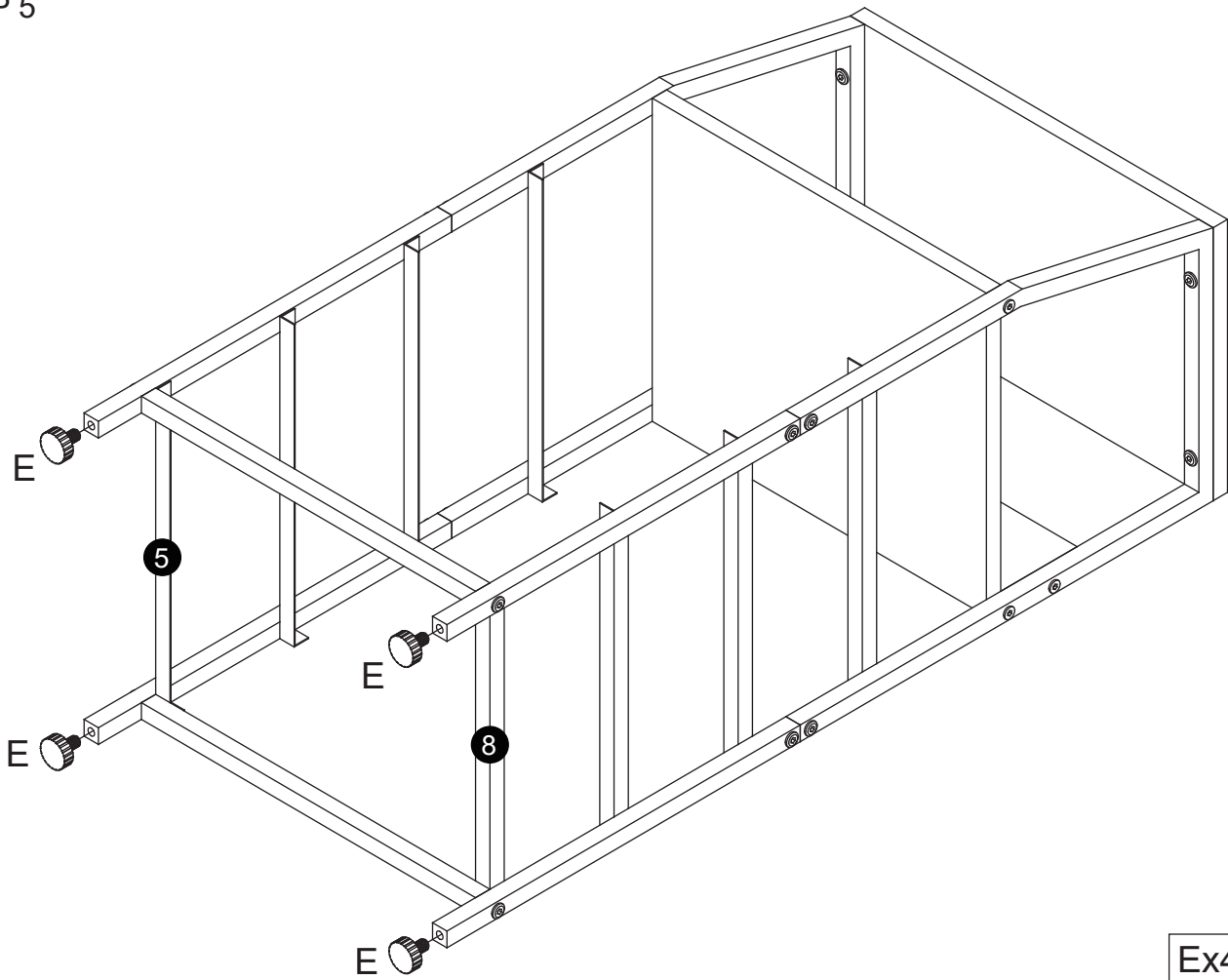
STEP 3



STEP 4



STEP 5

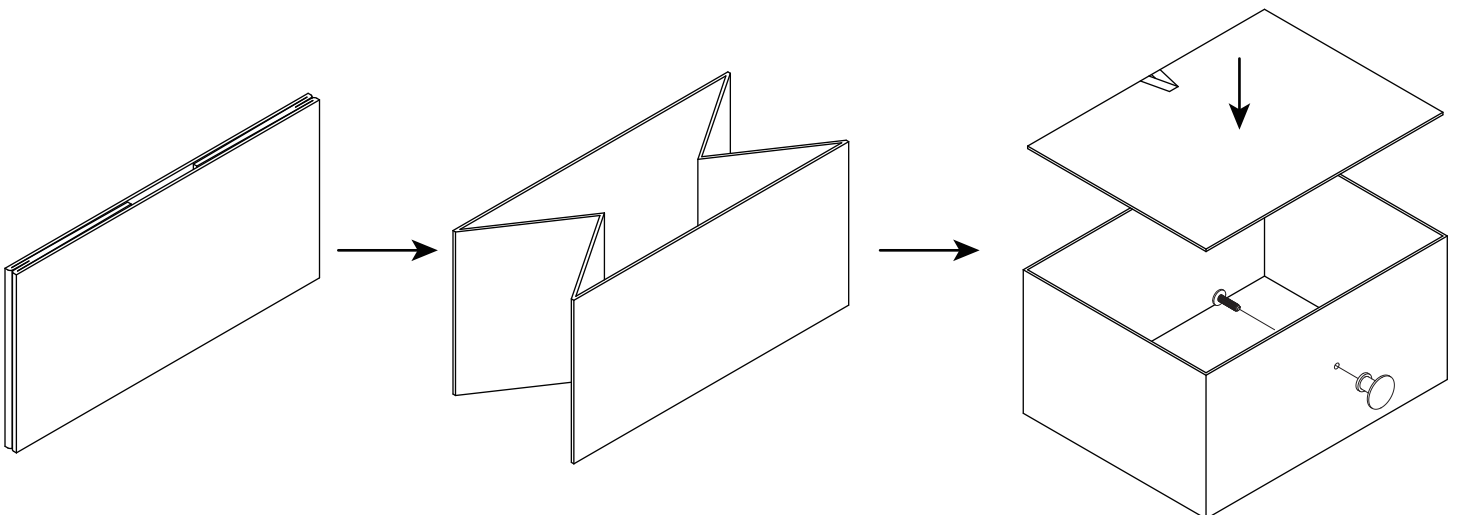


Ex4

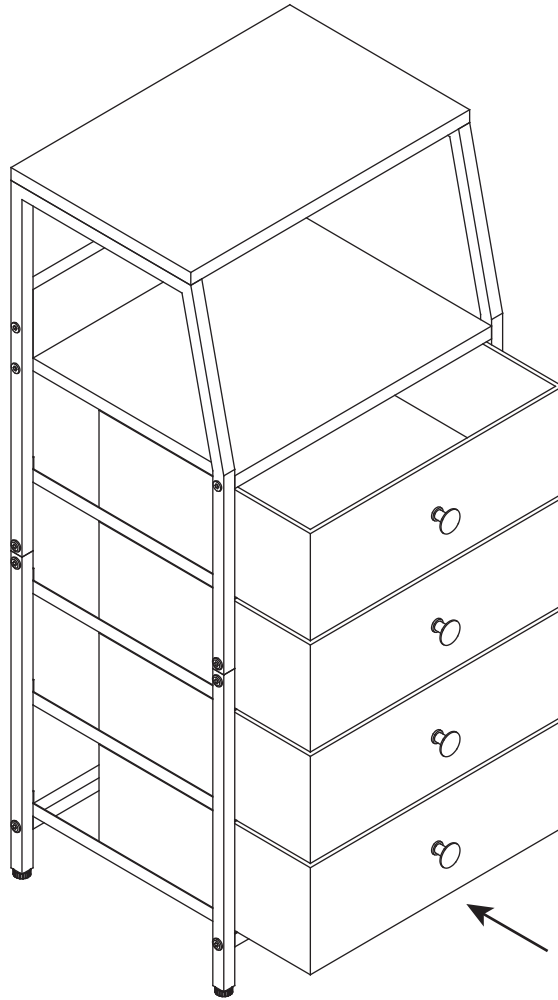


STEP 6 There are 4 drawers that need to be installed.

1. Unfold the fabric drawer.
2. Install the compatible base plate.
3. Screw on the handle.



STEP 7



STEP 8

