
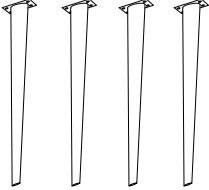


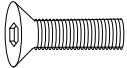


# ASSEMBLY INSTRUCTIONS

Thank you for purchasing this quality product. Be sure to check all packing material carefully for small parts, which may have come loose inside the carton during shipment. Identify and count all parts and compare with the hardware and parts list below

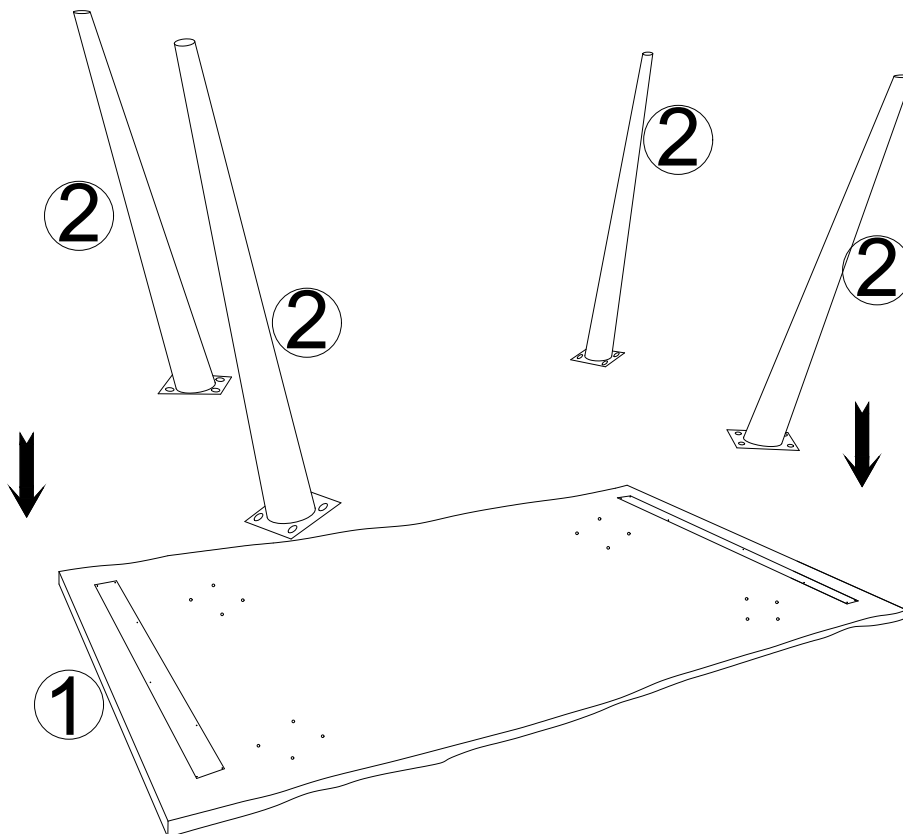
## Part List

Label	Picture	Description	Qty.
1.		WDN TOP	1 Pc.
2.		IRON LEGS	4 Pcs.

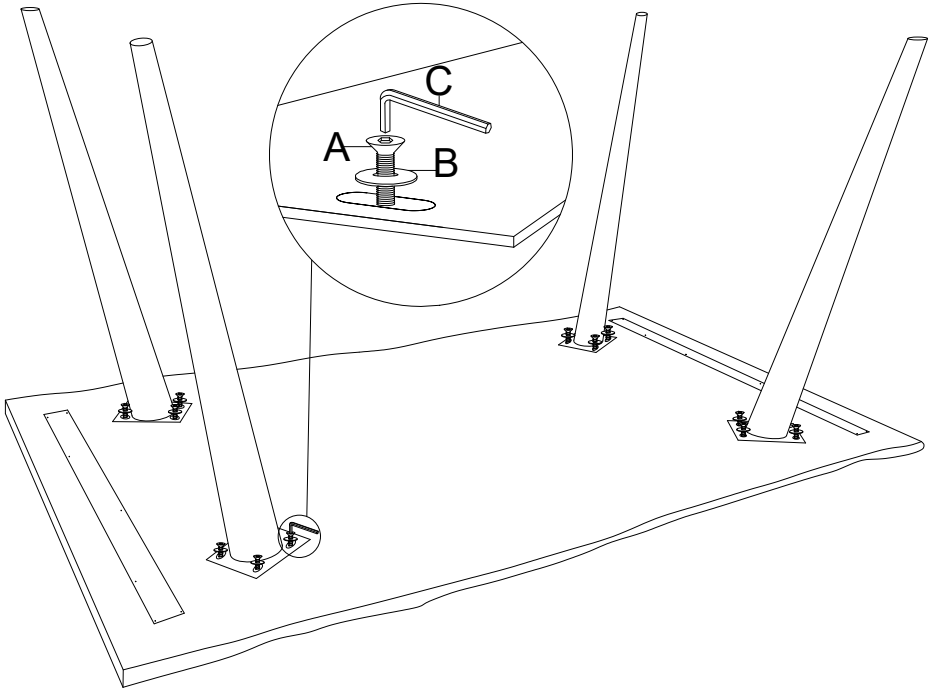
## HARDWARE LIST :

Label	Picture	Description	Qty.
A		ALLEN BOLT	16 Pcs.
B		WASHER	16 Pcs.
C		ALLEN KEY	1 Pc.

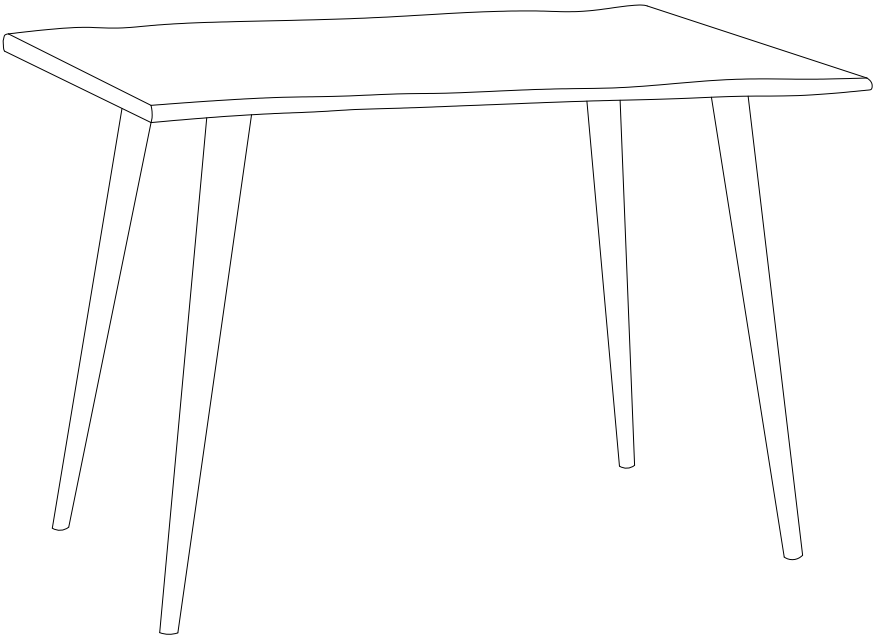
## STEP-1



# STEP-2



# STEP-3



COMPLETELY ASSEMBLED