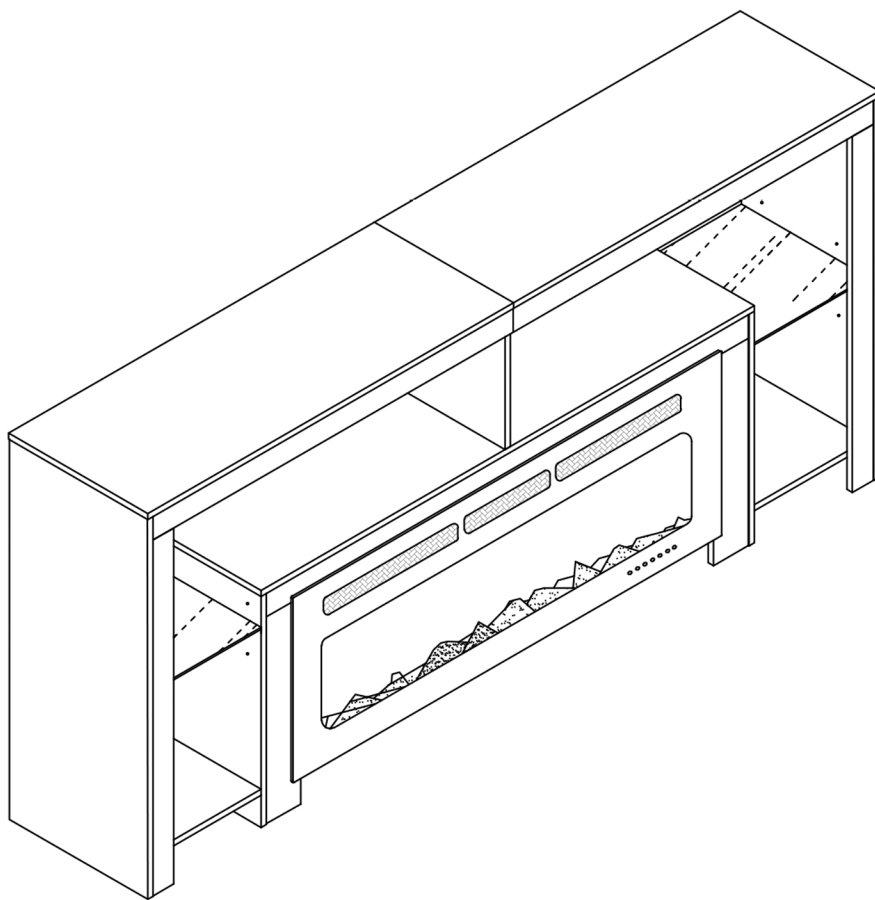


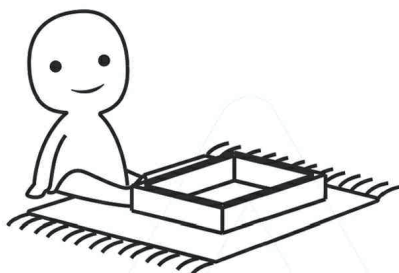
TELEVISION STAND





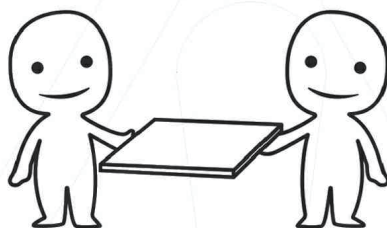
IMPORTANT INFORMATION!

please read the entire manual before starting to assemble and/or using this product. follow the manual thoroughly and keep it for further reference.



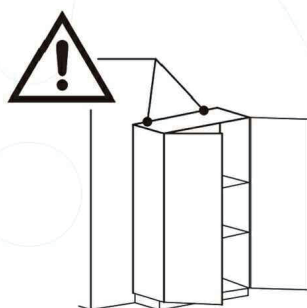
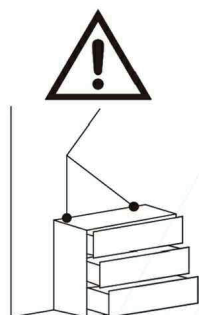
AVOID SCRATCHES!

In order to avoid scratching this furniture should be assembled on a soft layer- could be a rug.



IMPROVE EFFICIENCY !

Try to find a partner to install with you, which can speed up the installation efficiency and shorten the time.



ANTI-TOPPLE WARNING !

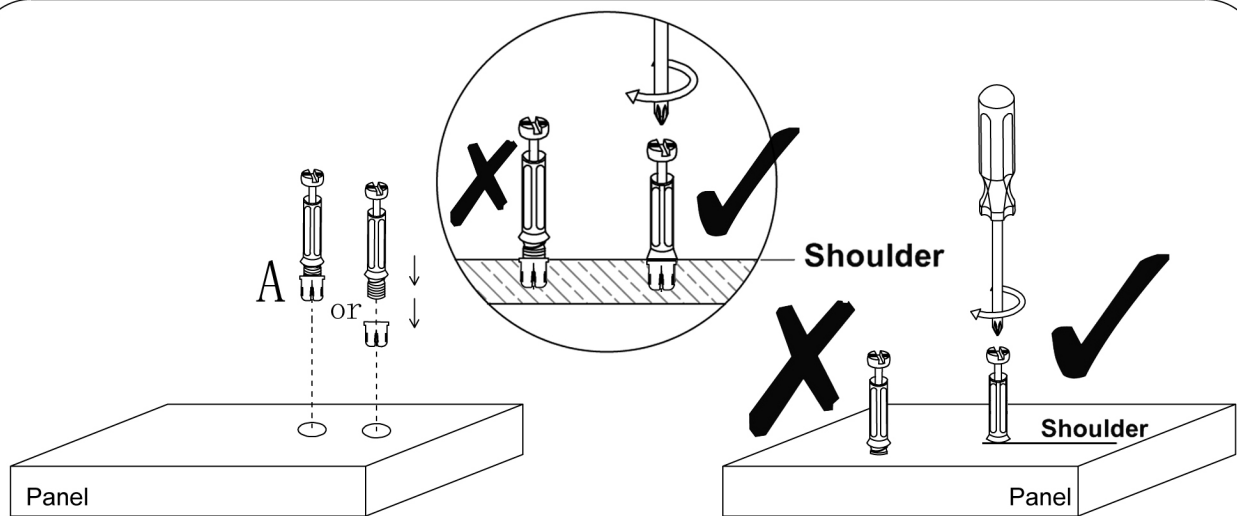
Overturnd furniture can cause serious or fatal crush injuries. To prevent tipping over, be sure to use the wall attachment, if not included with this product. Please purchase the wall attachment that fit your wall. If unsure, seek professional advice. Please read and follow each step of the instructions carefully.

IMPORTANT !

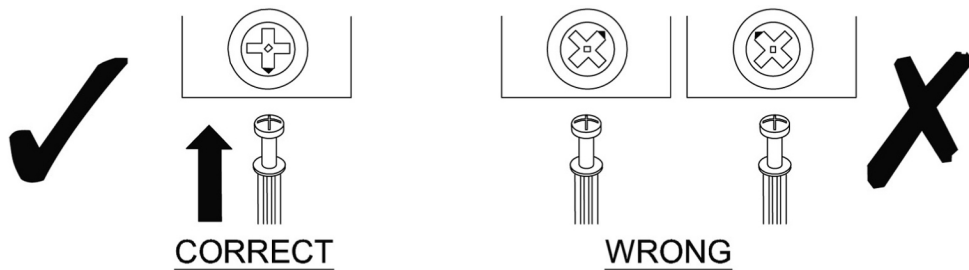
It is important that any product which is assembled using any kind of screw is re-tightened 2 weeks after assembly, and once every 3 months - in order to assure stability through-out the lifespan of the product.

For regular maintenance and cleaning of the product, for the frame, please use a rag dipped in neutral detergent to fully wipe it, and then dry it with a clean rag. For glass materials, wipe with a rag dampened with water glass cleaner, and then dry with a dry rag.

Do not use an electric screwdriver, and do not use too much force when installing, because the board is easy to break.

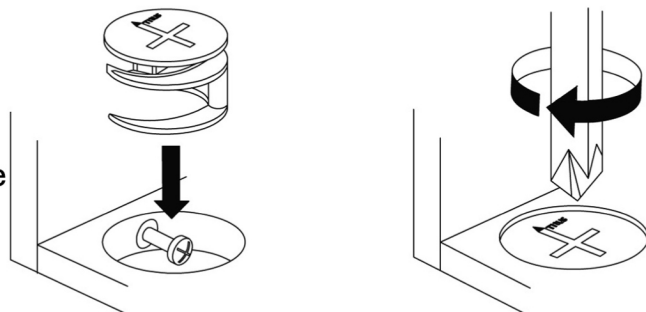


Tighten quickfit until shoulder is flush with the panel. Do not overtighten or undertighten.



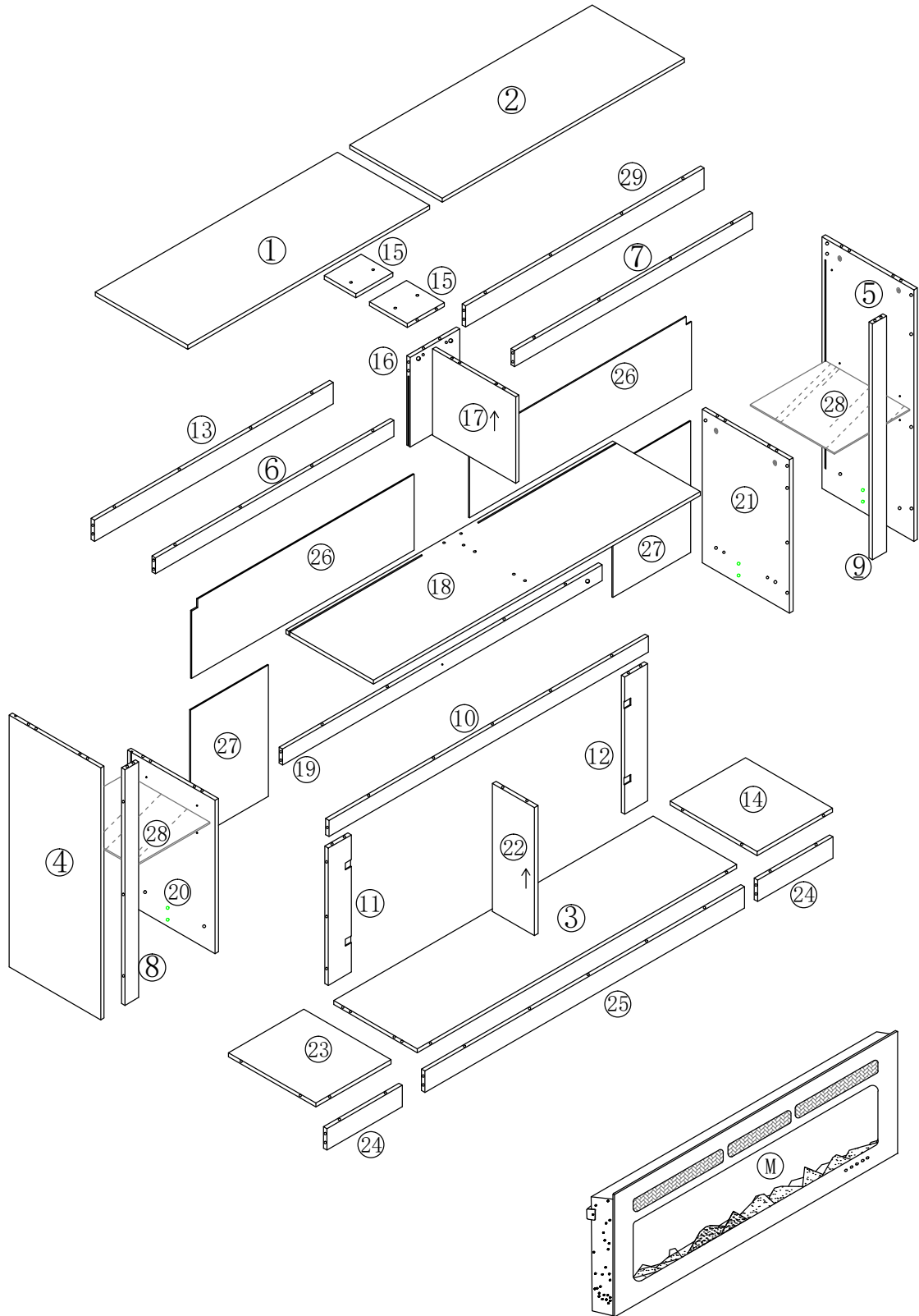
When fitting the cam lock, ensure the starting position is correct before you insert the connecting quickfit.

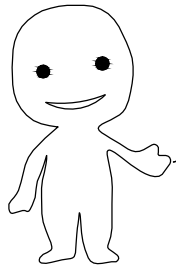
The quickfit head should be in the center of the cam lock when the two panels are joined. The cam lock should be inserted before the quickfit.



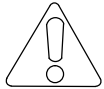
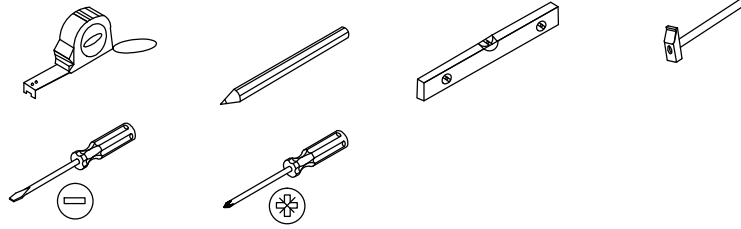
Turn the cam lock clockwise to tighten.

Parts List



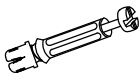
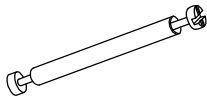
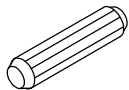
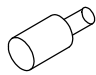
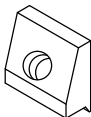

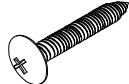
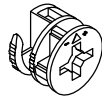
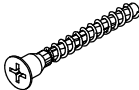
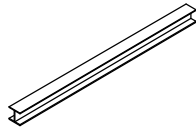
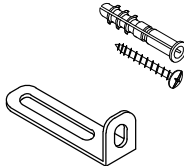

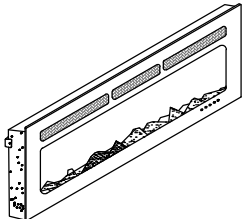
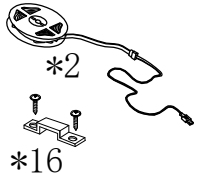




Please prepare the following tools

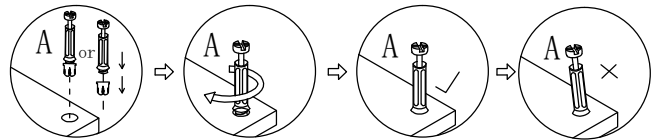
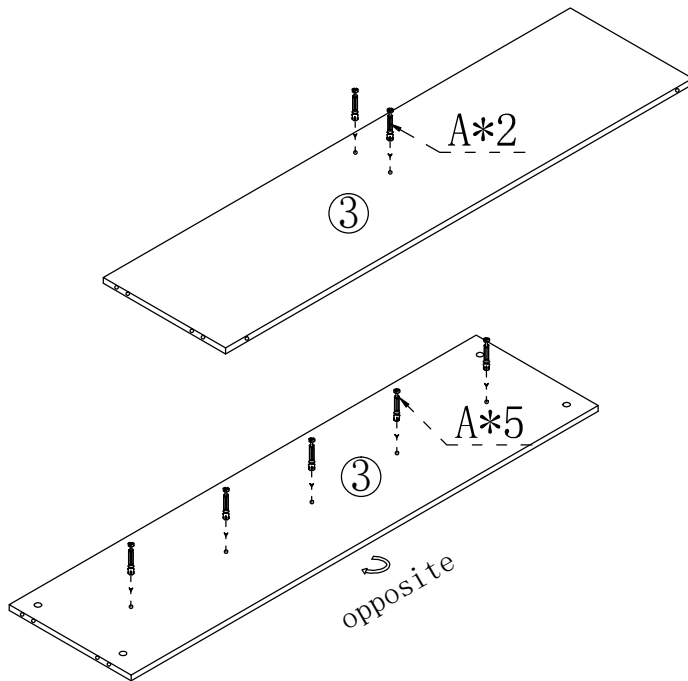
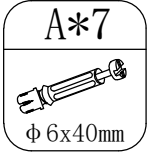


When installing, please carefully confirm whether each screw corresponds to the manual, accessories with similar shapes can be distinguished by size

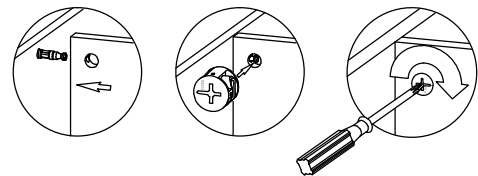
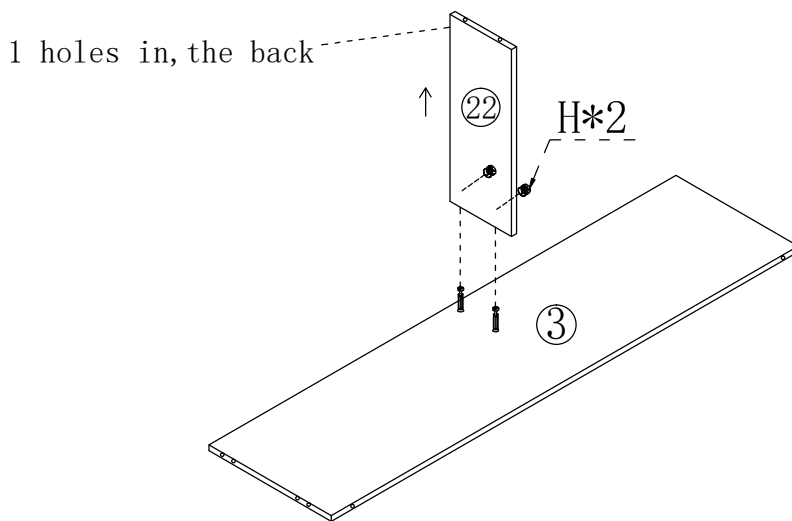
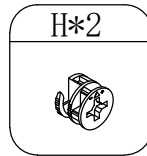
Tips: The number after "+" represents the spare hardware

 φ 6*40mm	 φ 6*64mm	 φ 8x40mm	
(A) 100+2 pcs	(B) 3 pcs	(C) 35+2 pcs	(D) 8 pcs
	 φ 3.5*14mm	 φ 4*25mm	
(E) 26+1 pcs	(F) 32+5 pcs	(G) 4 pcs	(H) 106+4 pcs
 φ 5x40mm			 φ 3.5*14mm
(I) 3 pcs	(J) 2 pcs	(K) 2 pcs	(L) 2 pcs
	 *2 *16		
(M)	(N) 34 pcs	(+)	SPARE BAG

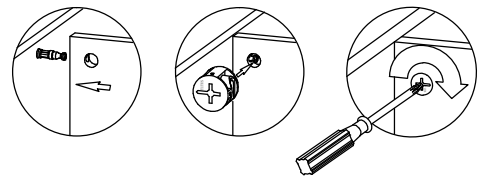
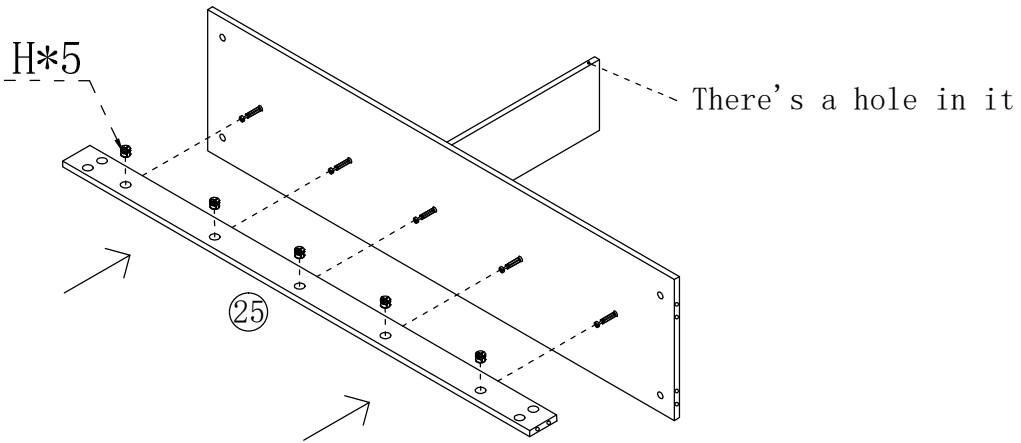
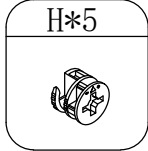
Step1



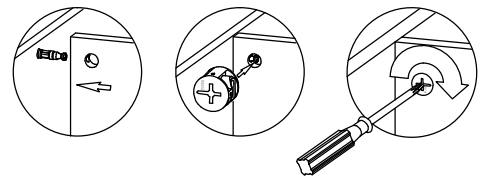
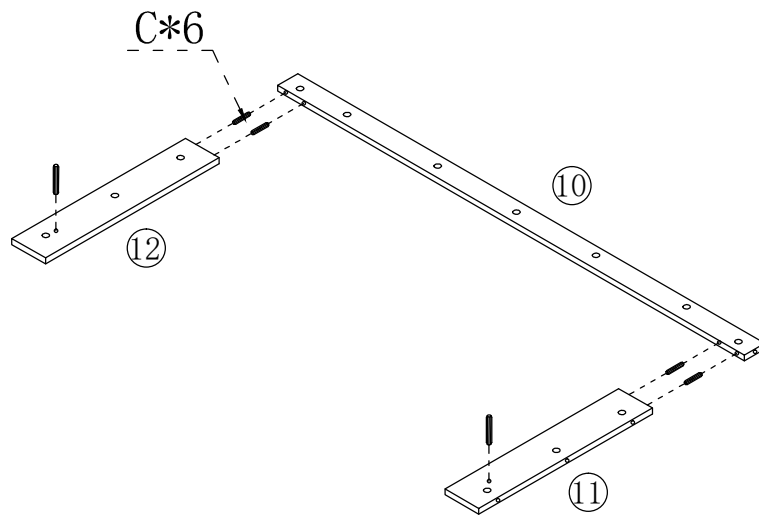
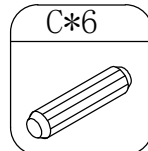
Step2



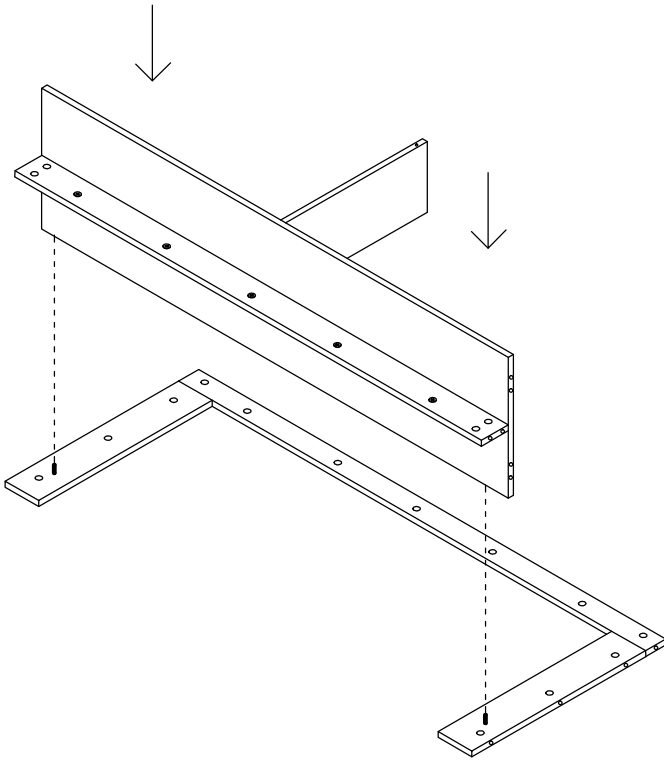
Step3



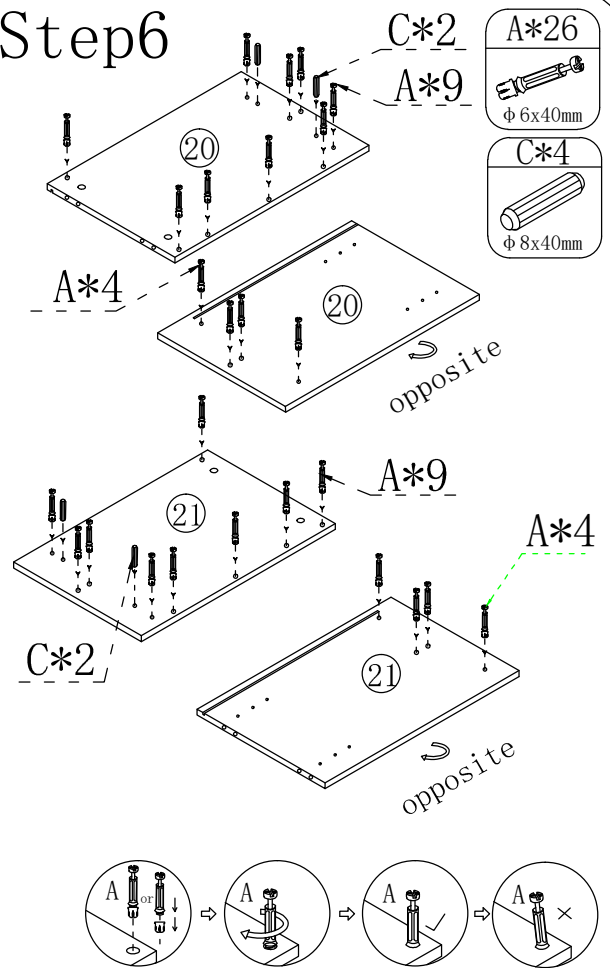
Step4



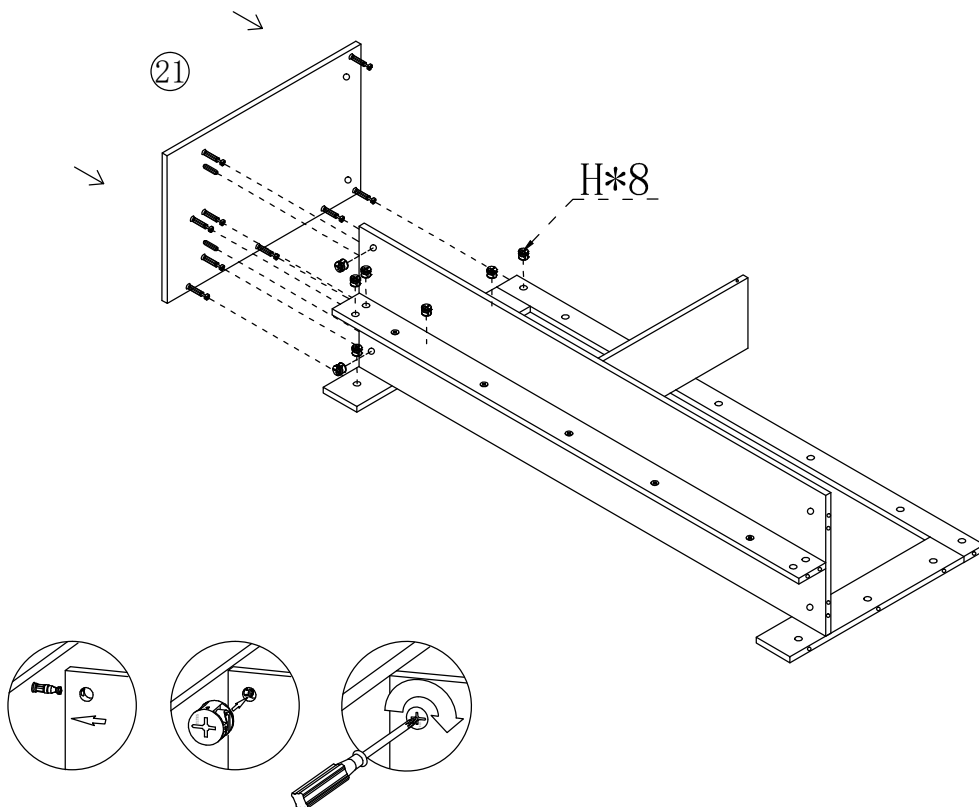
Step5



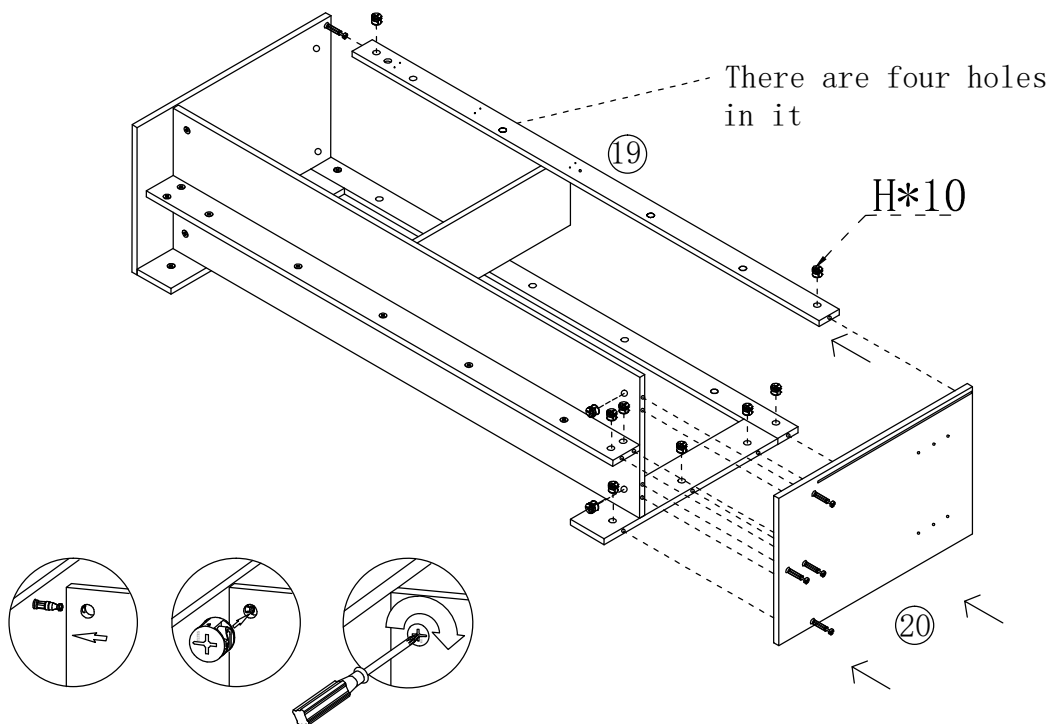
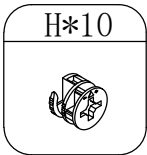
Step6



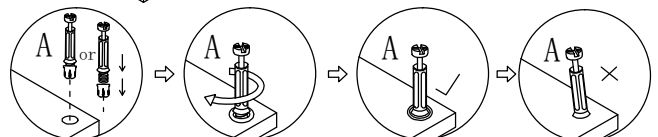
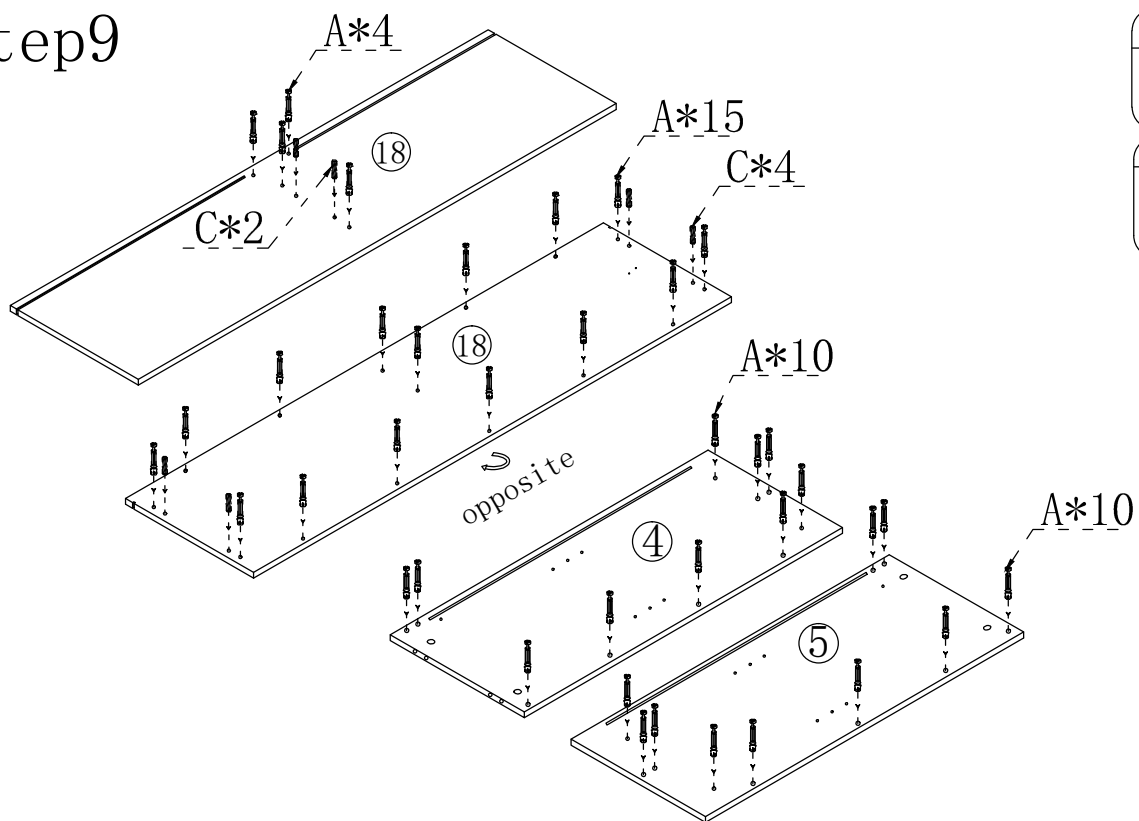
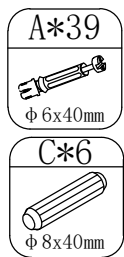
Step7



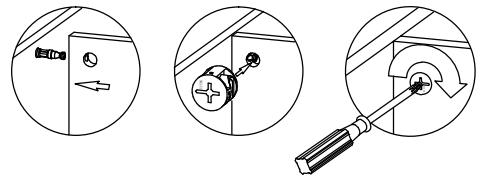
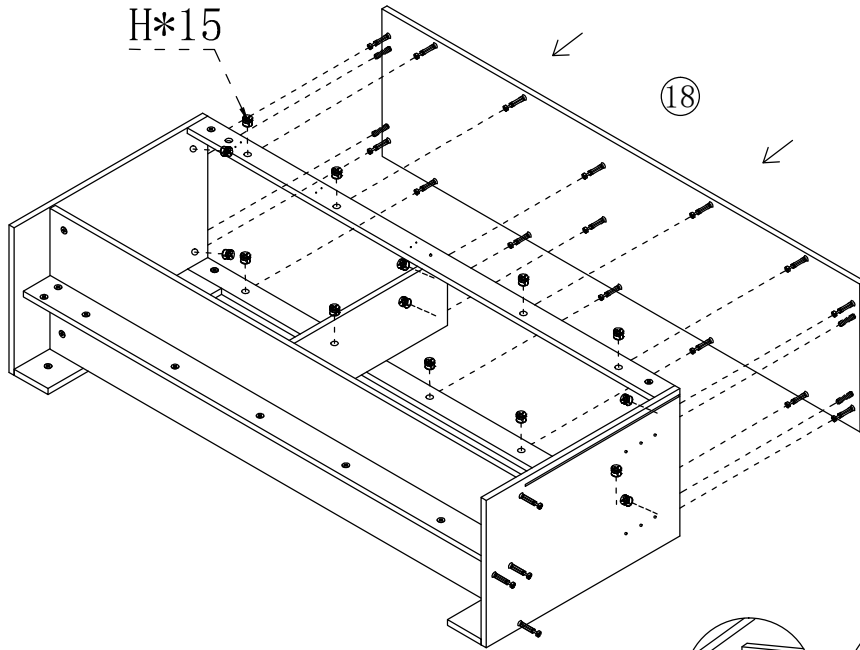
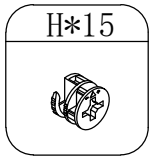
Step8



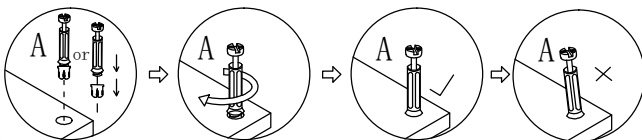
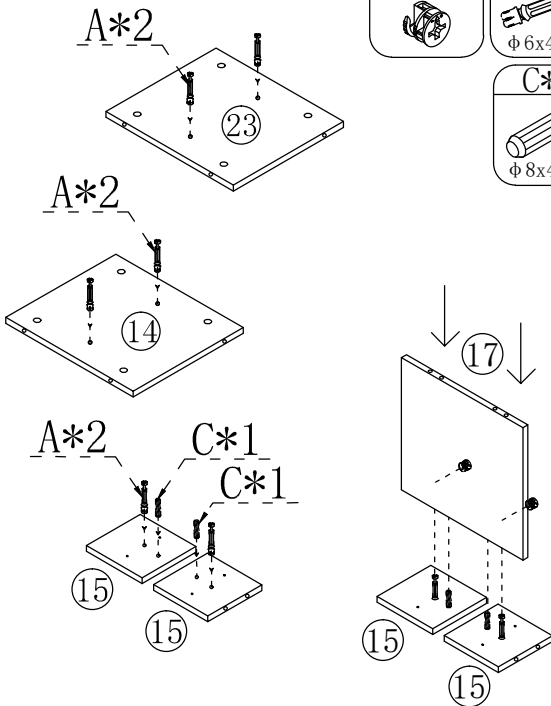
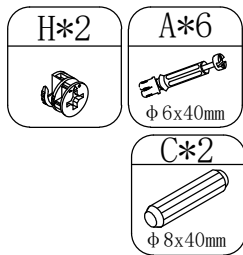
Step9



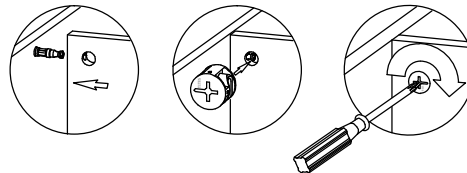
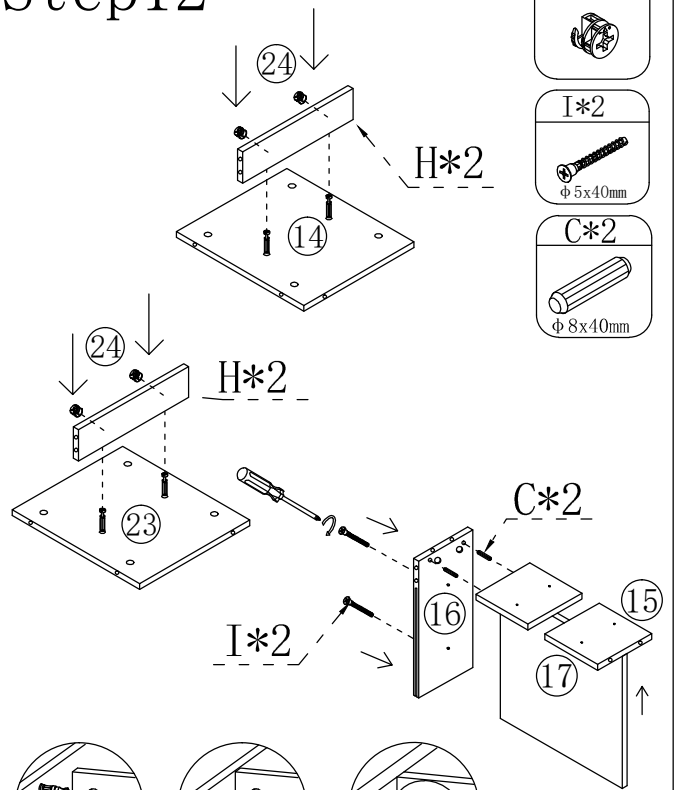
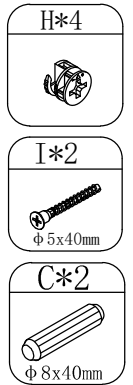
Step10



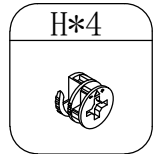
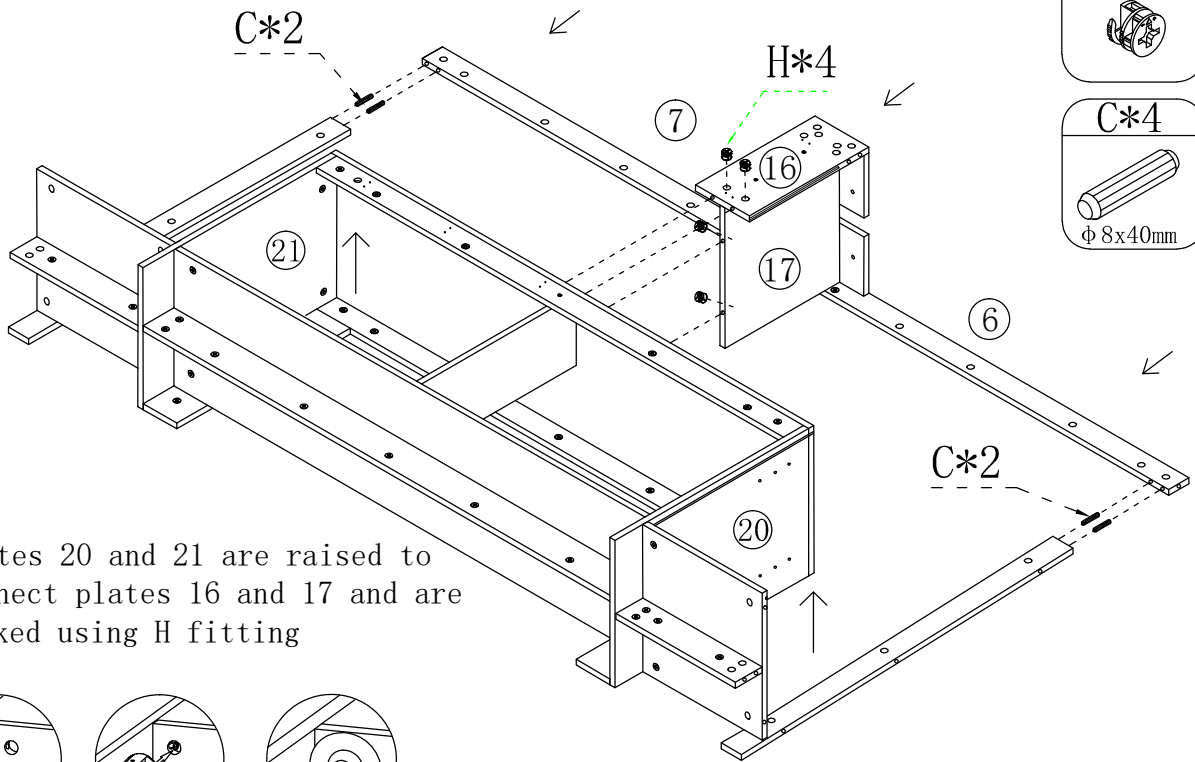
Step11



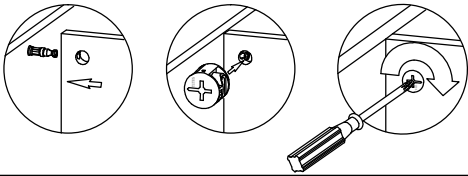
Step12



Step15

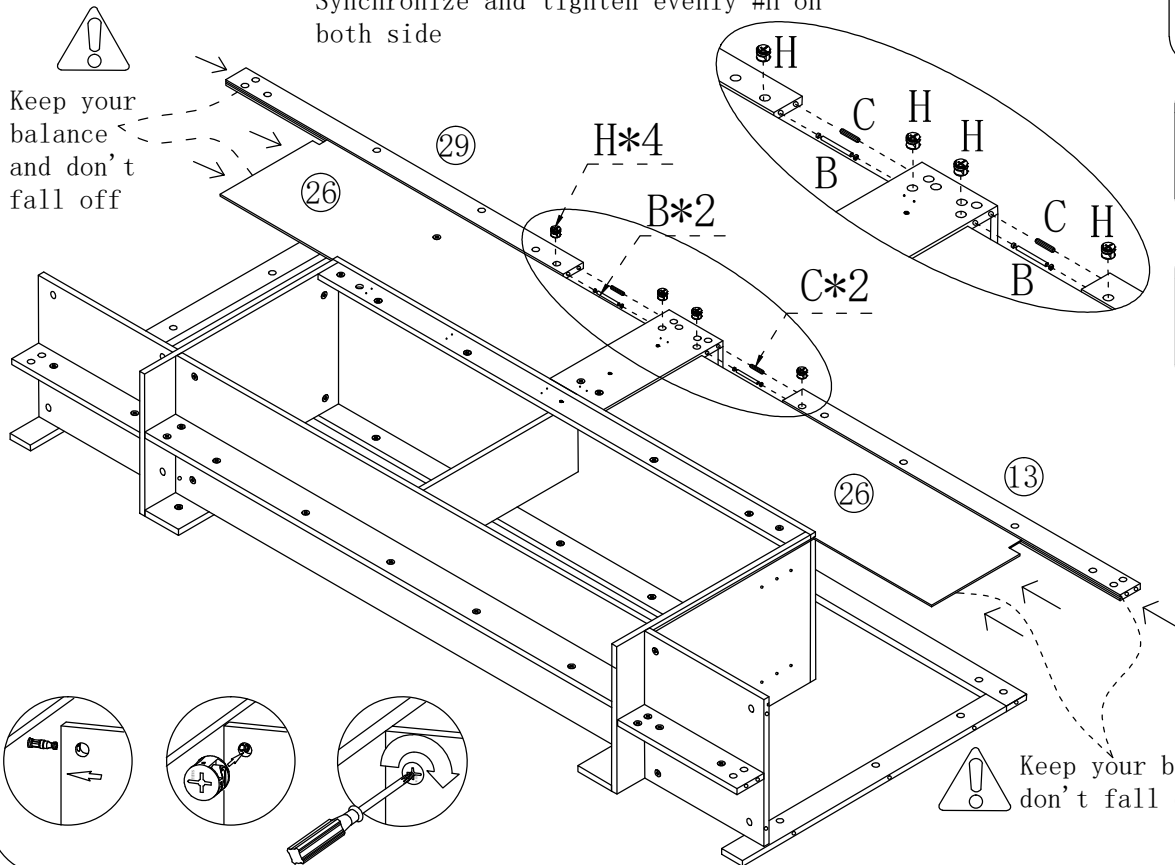


Plates 20 and 21 are raised to connect plates 16 and 17 and are locked using H fitting

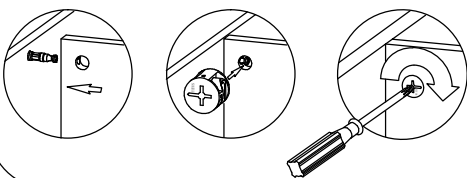
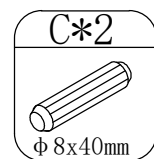
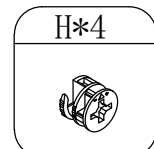
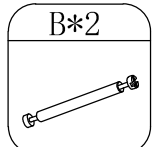


Step16

First place #B evenly into both side holes. Then place the #H into the holes. Synchronize and tighten evenly #H on both side

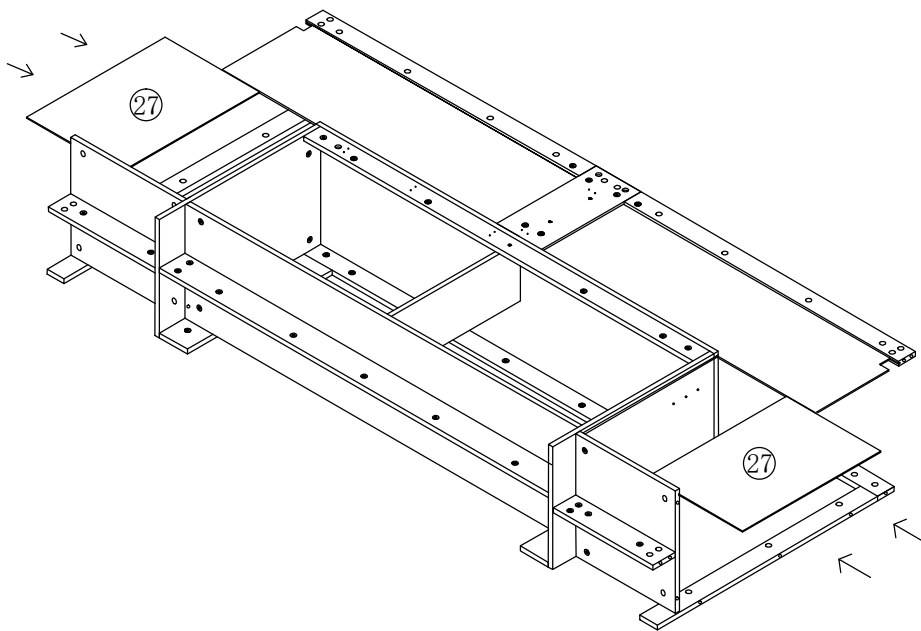


Keep your balance and don't fall off

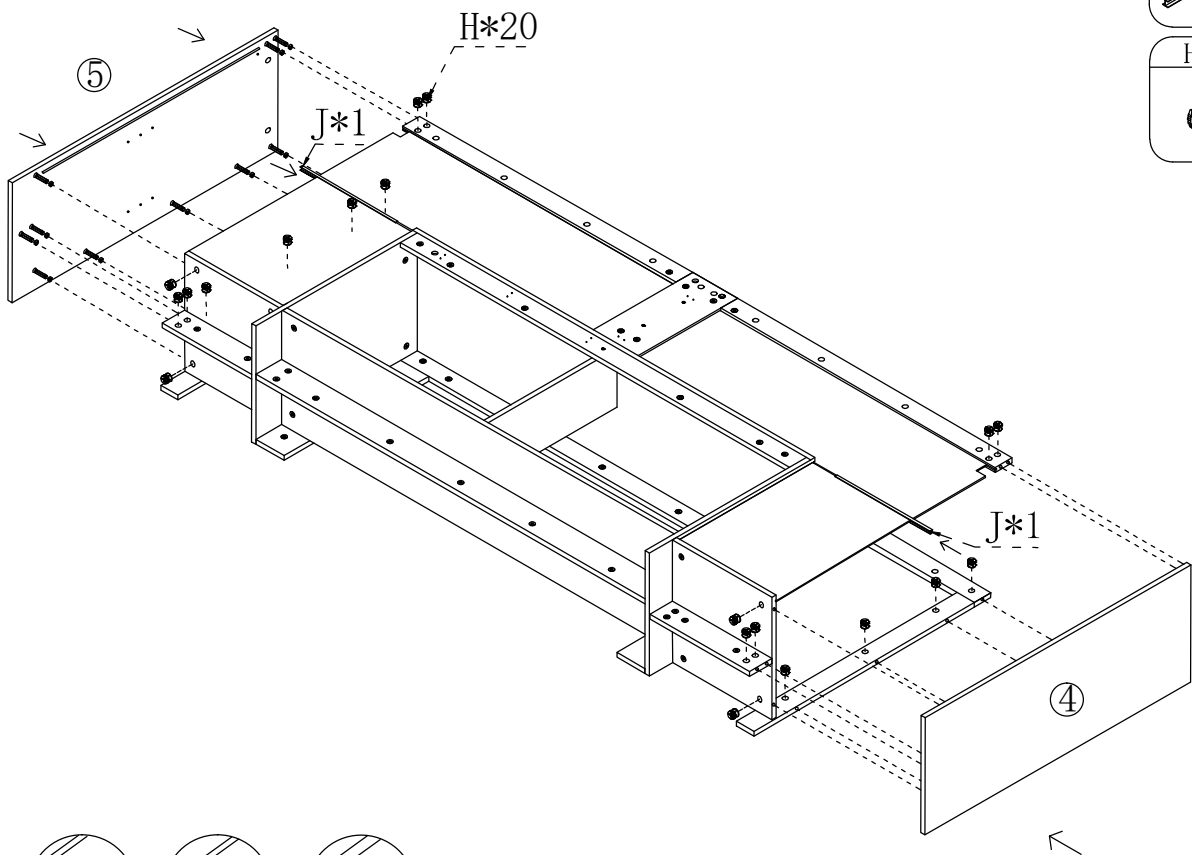


Keep your balance and don't fall off

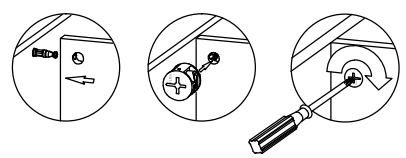
Step17



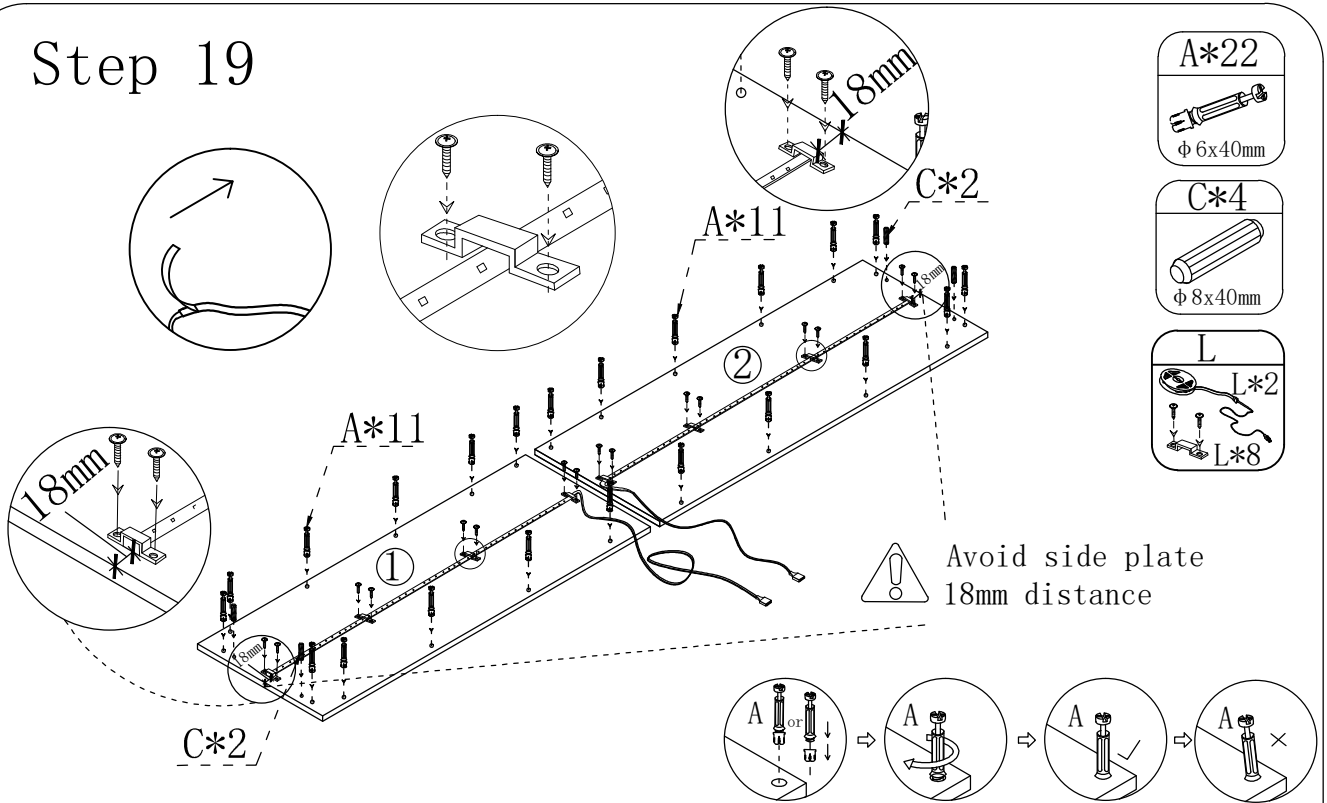
Step18



J*2
H*20

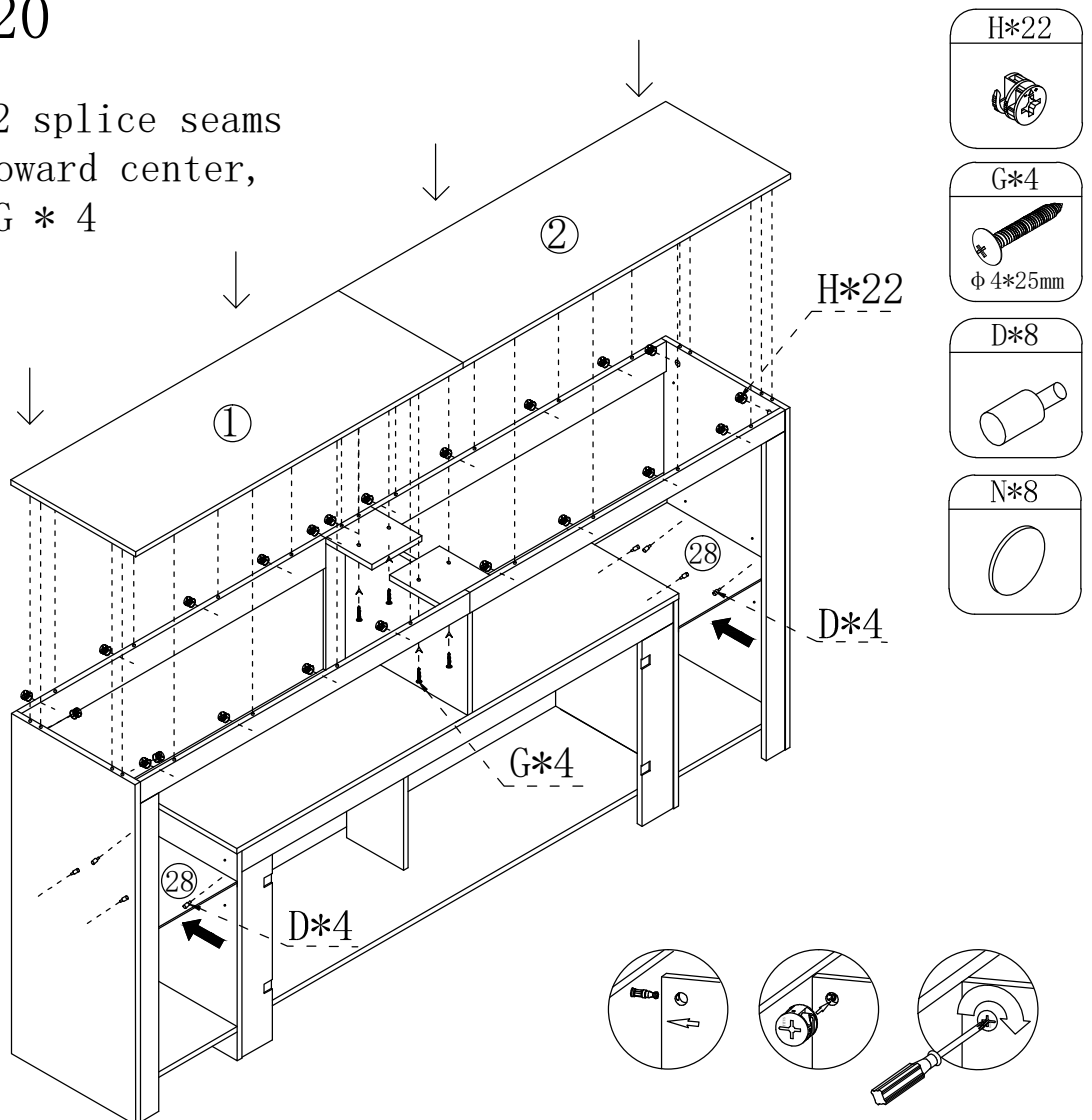


Step 19

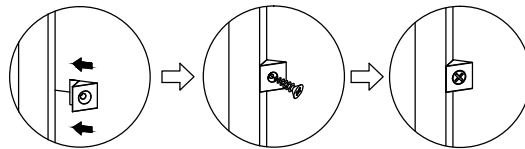
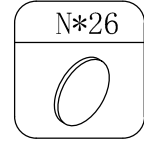
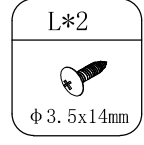
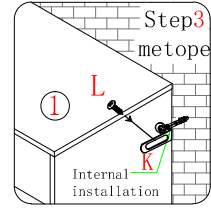
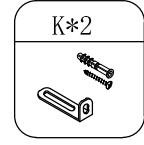
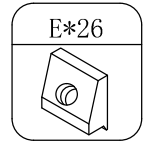
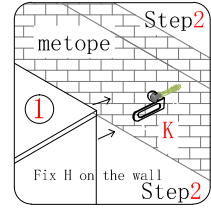
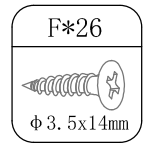
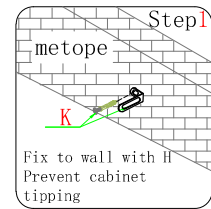
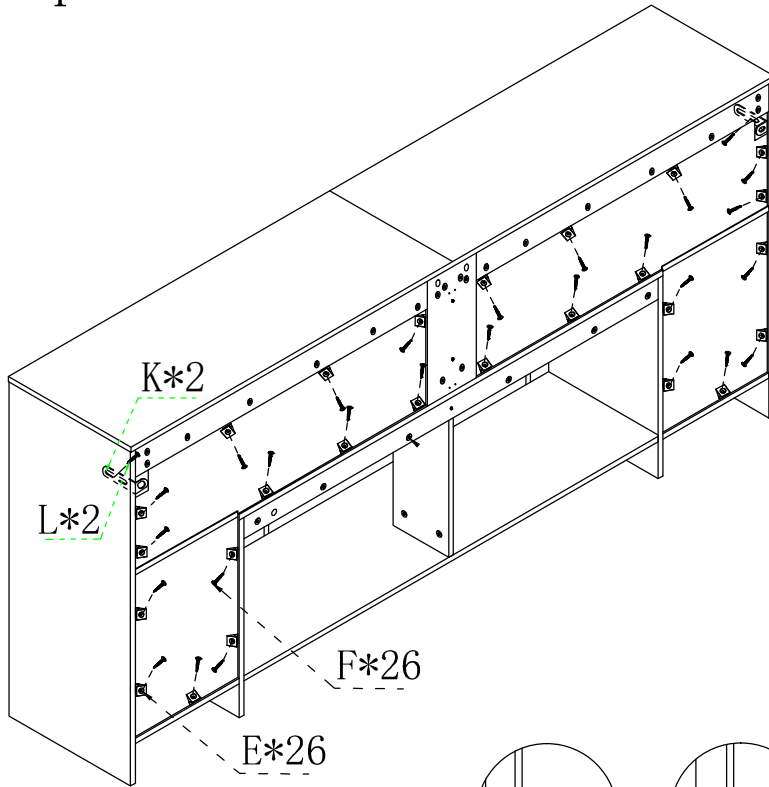


Step 20

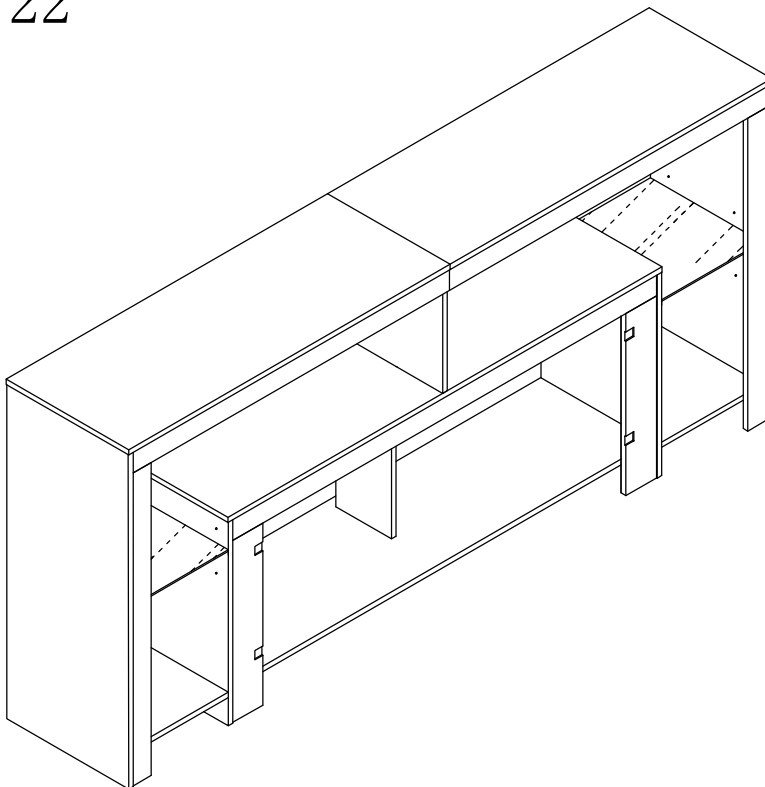
! 1 and 2 splice seams push toward center, fixed G * 4



Step 21

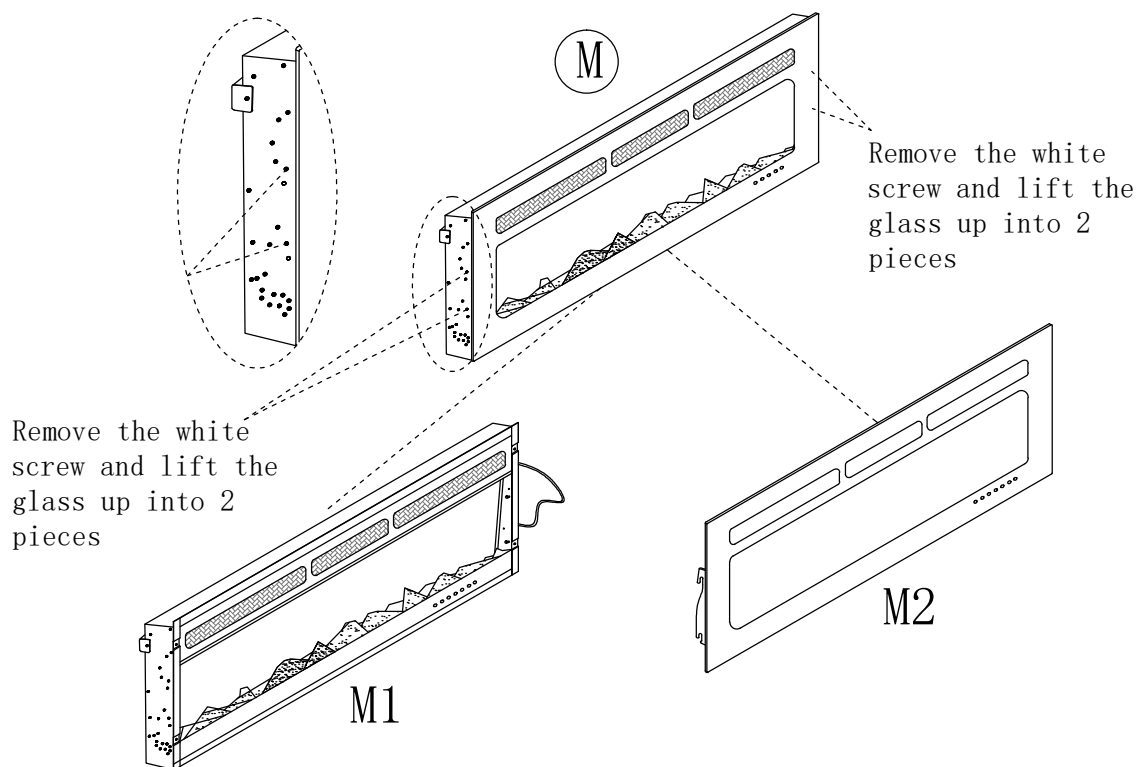


Step 22

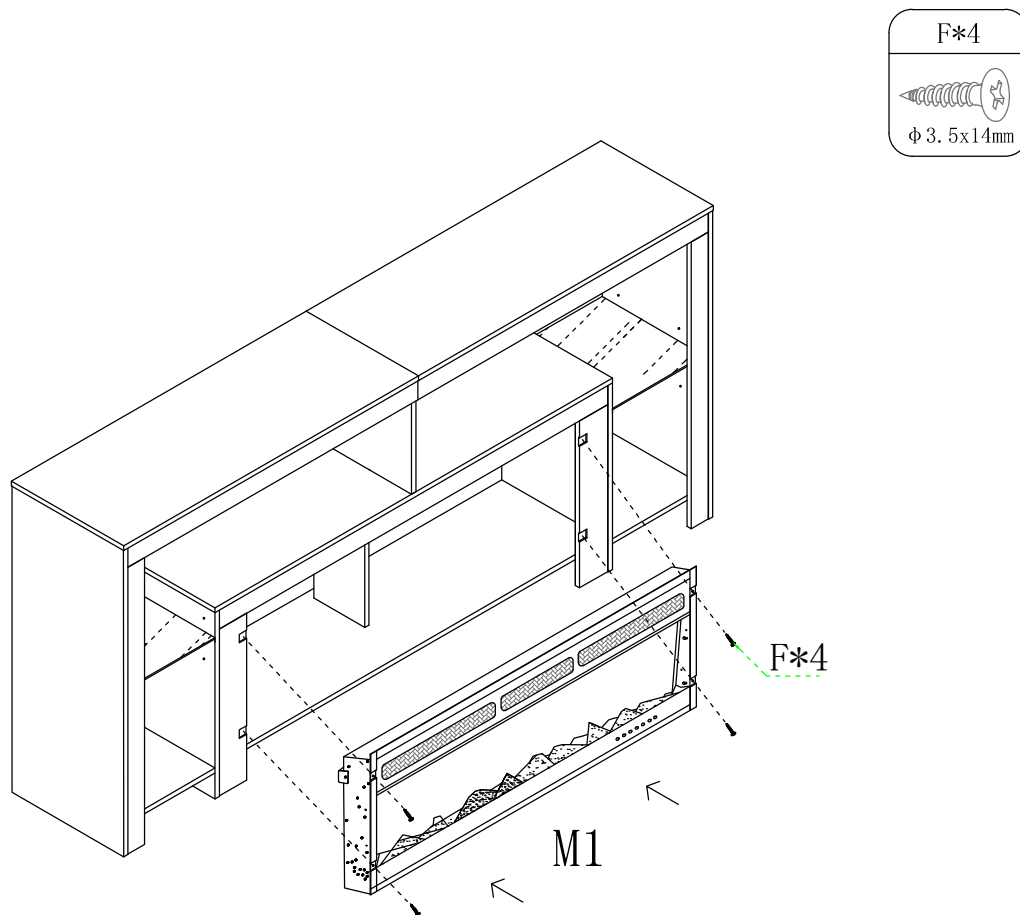


Cabinet installation complete

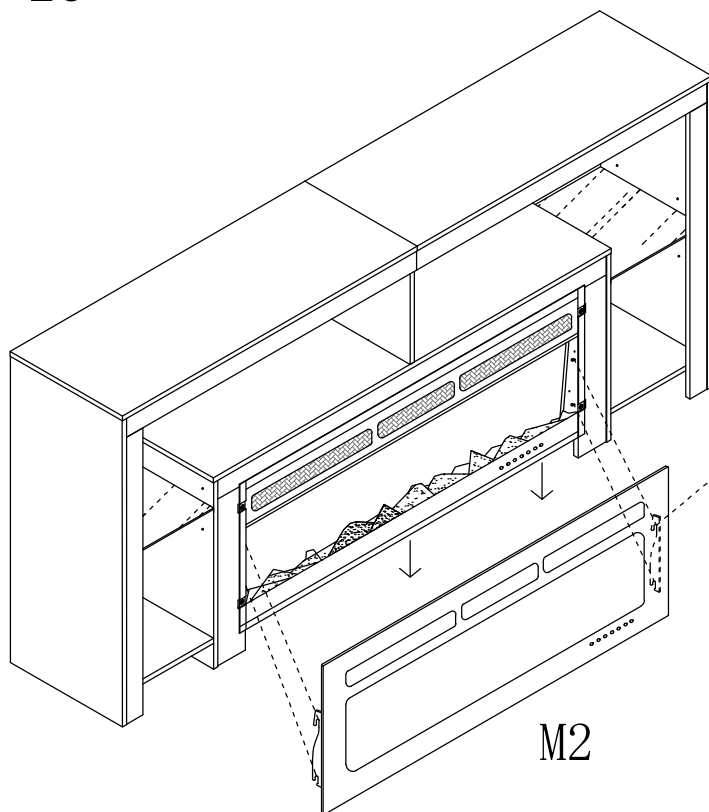
Step 23



Step 24



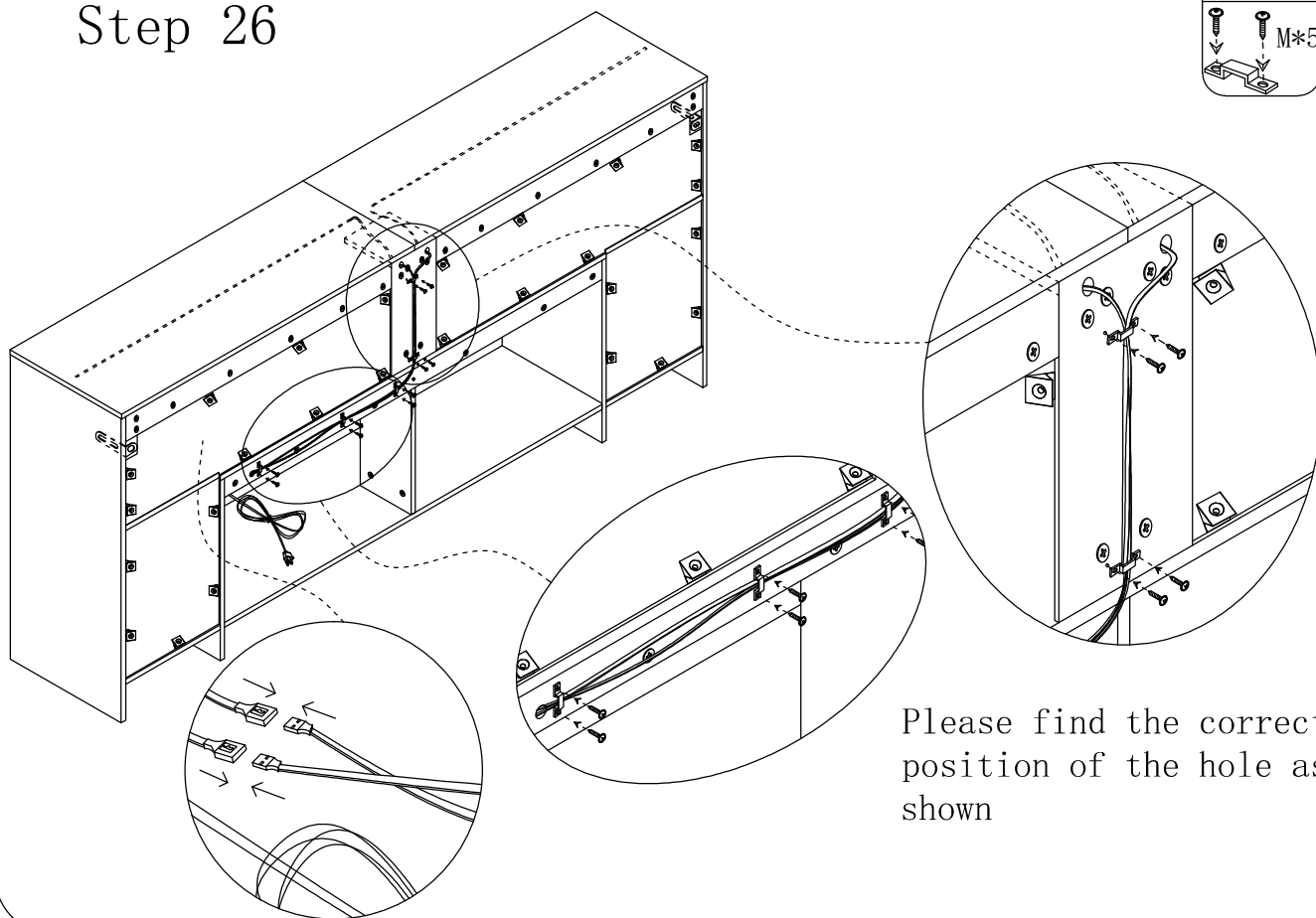
Step 25



Raise the glass panel, please find the correct position

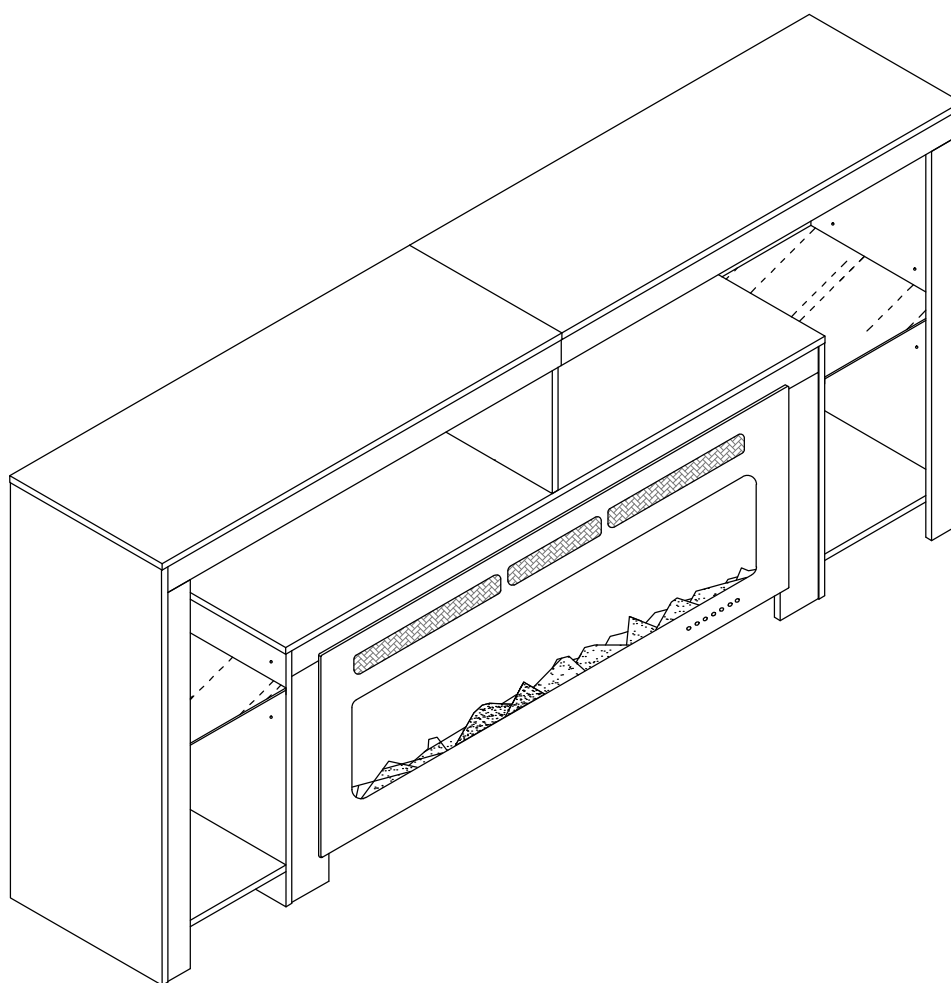
M2

Step 26



Please find the correct position of the hole as shown

Step 27



installation is complete