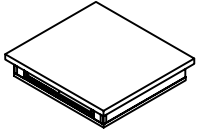


ASSEMBLY INSTRUCTION

BROWN FINISH END TABLE WITH METAL LEG

A Top Panel



1PC

B Leg Frame



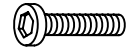
2PCS

C Cross Bar



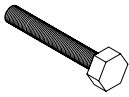
1PC

D Bolt-Small
1/4"*3/4"



12PCS

E Bolt-Large
M10*30MM



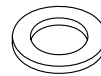
2PCS

F Lock Washer
1/4"



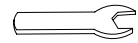
12PCS

G Flat Washer
1/4"X16mm



12PCS

H Wrench
14MM

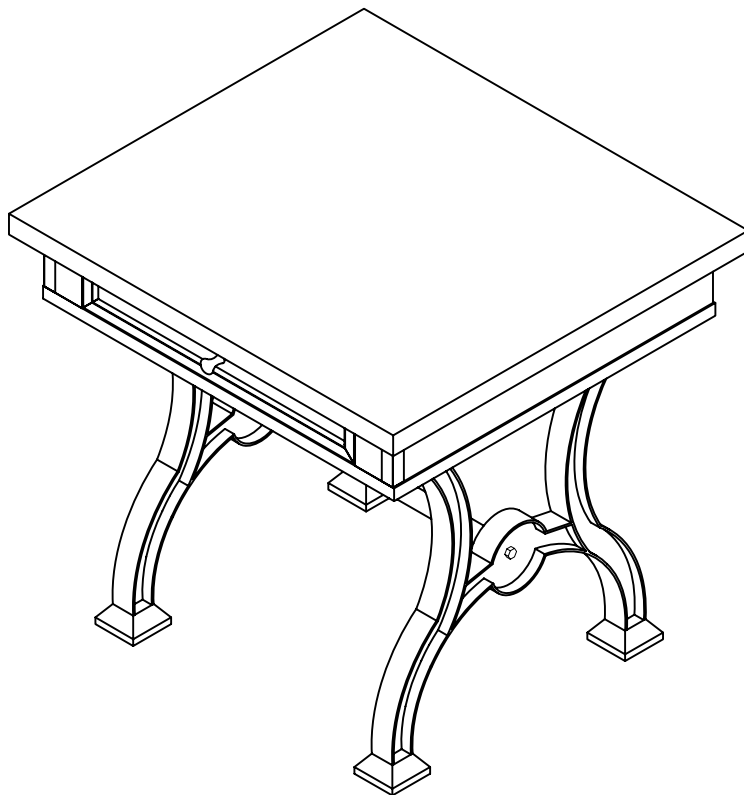


1PCS

I Allen Key
4MM

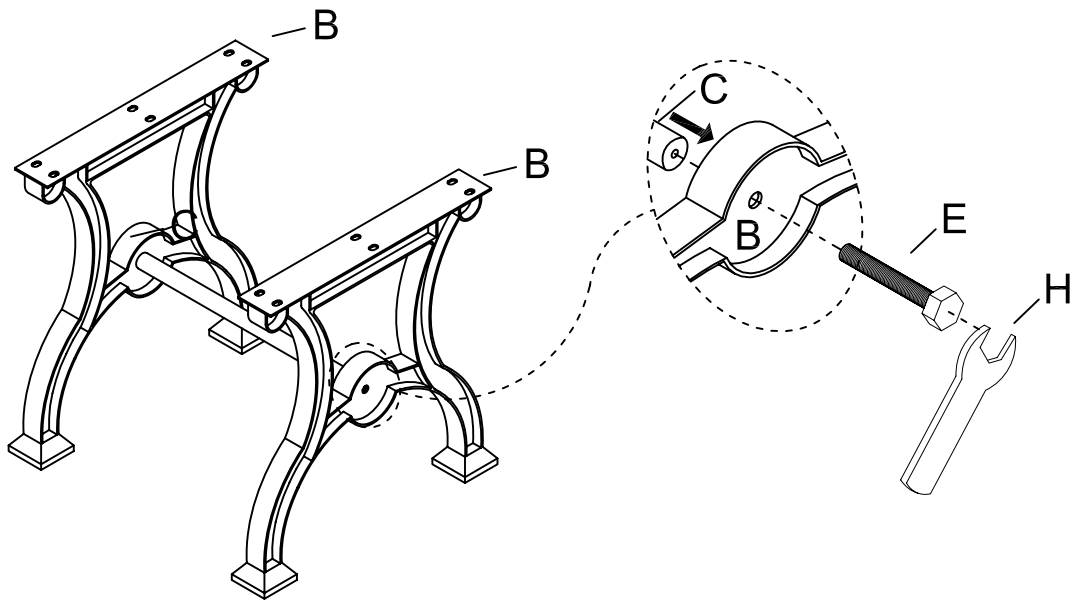


1PC

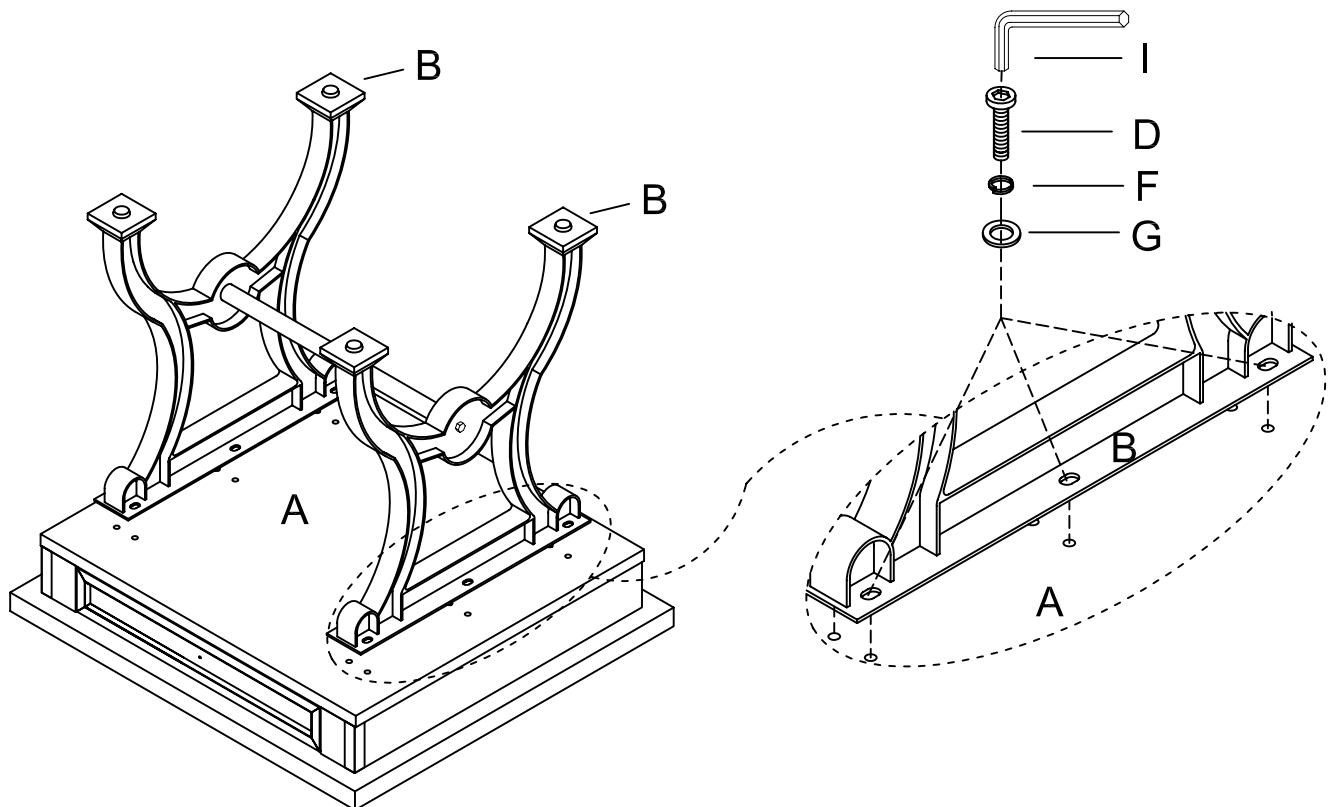


This page lists all the contents included in the box. Please take the time to identify the hardware as well as the individual components to this product. AS you unpack and prepare for assembly, place the contents on a carpeted or padded area to protect them from damage.

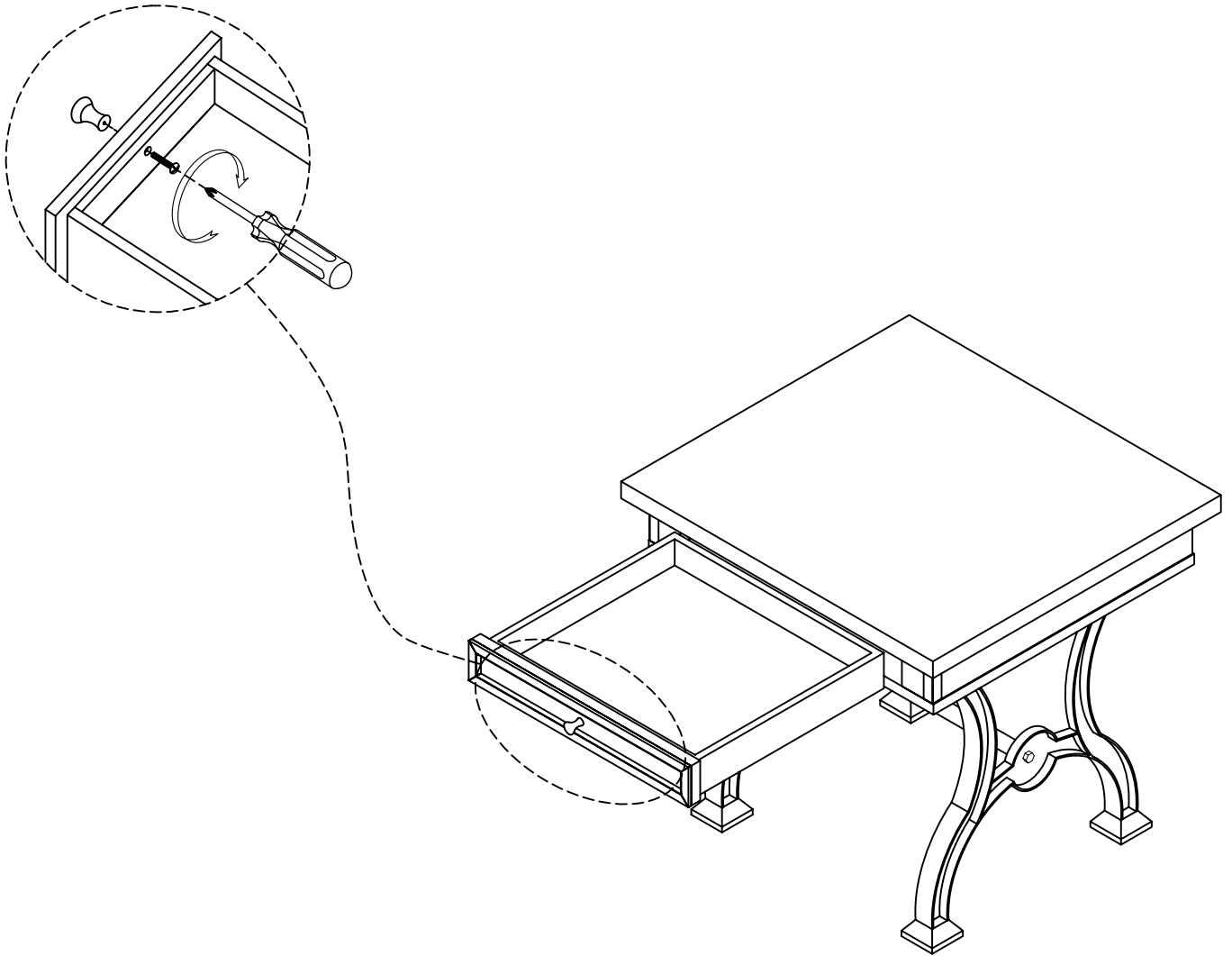
1 Attach the Cross Bar (C) to the Leg Frame (B) by using Bolt-Large (E) with Wrench (H).



2 Attach the assembled base to the Top Panel (A) by using Flat Washer (G), Lock Washer (F) and Bolt-Small (D) with Allen Key (I).



3 Remove the knob from inside drawer and then attach the knob to the front drawer.



Cleaning & Care

Treat surface with care. Surface is resistant to scratches but is not scratch resistant. Clean surface with a dry or damp soft cloth. Do not use abrasive cleaners. Hardware may loose over time. Periodically check that all connections are tight.