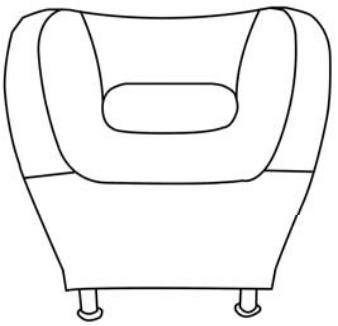



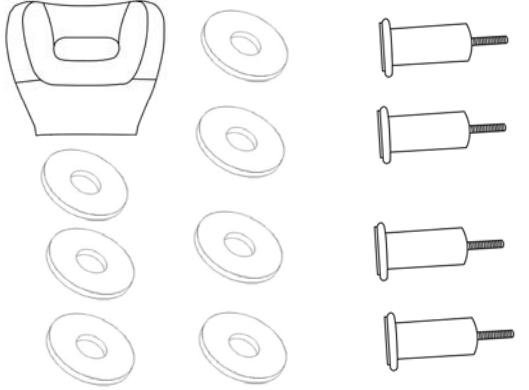
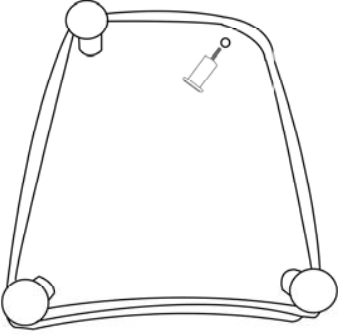
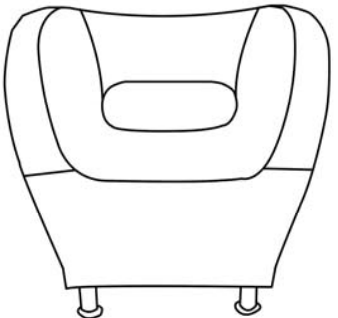


Assembly Instruction

Components List for Leisure chair-(1pc)

Parts No	Parts Description	Q'ty	
 A	Chair Seat	1	
 B	Legs	4	
 C	Washer Rings	7	

Assembly Instructions

		
<p>Step 1. Place the above parts onto a clean and soft surface as to not scratch or damage the product.</p>	<p>Step 2. Install Leg into the Chair by putting a Washer Ring(optional but improves security and tightness) onto the threaded stem. Insert the threaded stem into the threaded hole at each corner of the bottom of the chair. Tighten legs by turning clockwise. Repeat the same step to install the remaining 3 Legs.</p>	<p>Step 3. Turn the chair right side up. Inspect and make sure all parts are connected and locked into position. The chair is ready for use.</p>