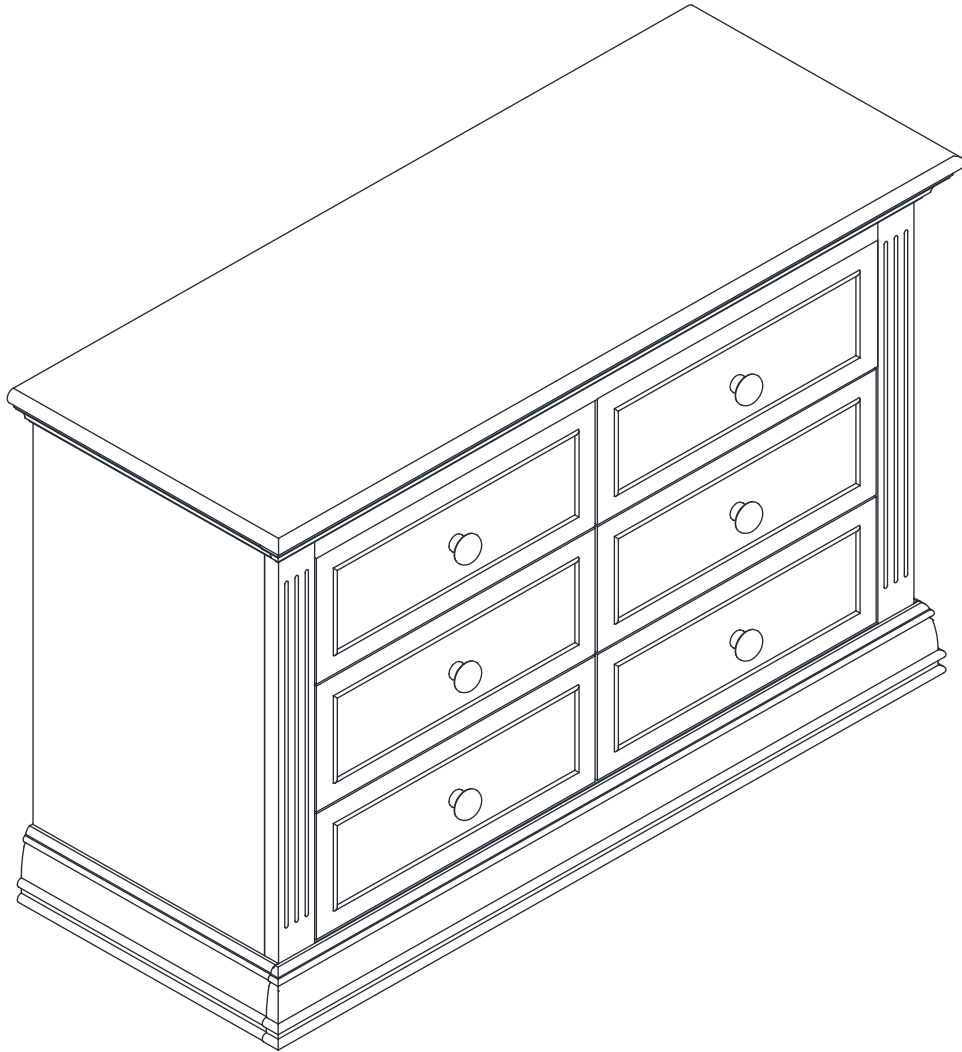




IMPORTED BY C&T International, Inc. / IMPORTE PAR de C&T International, Inc.
105 Stonehurst Ct Northvale, NJ 07647 U.S.A. Tel, 201- 531-1919 Fax, 201- 531-1920
CANADA ADDRESS:
3453, DU PRESIDENT KENNEDY LAC MEGANTIC, QUEBEC, CANADA G6B 2Y4
Website: www.sorellefurniture.com / Site Internet : www.sorellefurniture.com

ASSEMBLY INSTRUCTIONS



PAXTON&MODESTO DOUBLE DRESSER

REVISION 1 : 01/23/2022

REVISION 2 : 01/03/2024

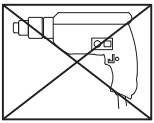
IMPORTANT NOTE:

Please read this manual carefully before beginning assembly of this product. Keep this manual for future reference.

MADE IN VIETNAM

NOTES ON ASSEMBLY:

1. During the assembly process whenever using screws or the item which is drawn actual size and design. Be sure
2. To assemble this unit you may be required to place the unit on it's side and face. It is strongly recommended that assembly is done on a soft, non-abrasive surface to avoid damaging the finish.
3. Power tools should not be used to assemble this product.

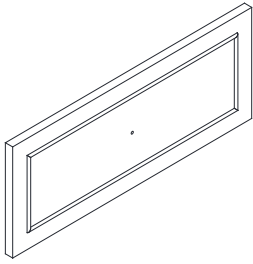


PARTS IDENTIFICATION

<p>P1</p> <p>TOP PANEL (x1)</p>	<p>P2</p> <p>FRONT RAIL-T (x1)</p>
<p>P3</p> <p>FRONT RAIL-M (x2)</p>	<p>P4</p> <p>FRONT RAIL-B (x1)</p>
<p>P5</p> <p>BACK RAIL-U (x1)</p>	<p>P6</p> <p>MIDDLE PANEL (x1)</p>
<p>P7</p> <p>SIDE PANEL-L (x1)</p>	<p>P8</p> <p>SIDE PANEL-R (x1)</p>
<p>P9</p> <p>BACK PANEL-U (x1)</p>	<p>P10</p> <p>BACK PANEL-D (x1)</p>

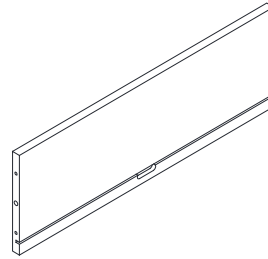
PARTS IDENTIFICATION

P11



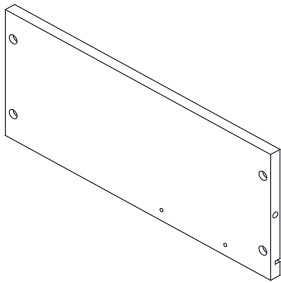
DRAWER FRONT (x6)

P12



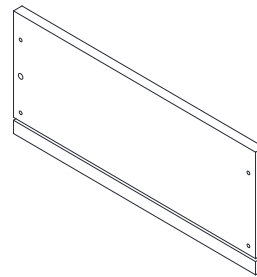
DRAWER BACK (x6)

P13



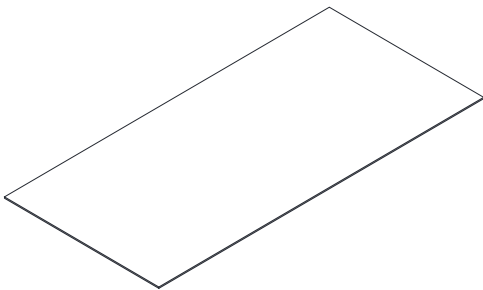
DRAWER SIDE-L (x6)

P14



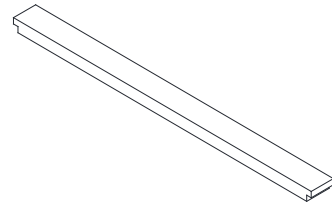
DRAWER SIDE-R (x6)

P15



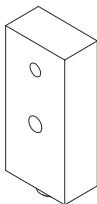
DRAWER BOTTOM (x6)

P16



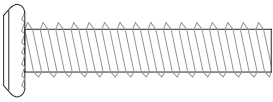
SUPPORT RAIL (x6)

P17

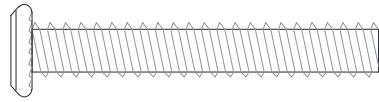


MIDDLE LEG (x1)

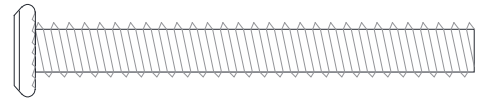
HARDWARE IDENTIFICATION



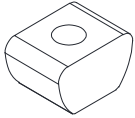
H1 (X10)
1/4"*32



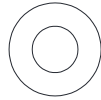
H2 (X12)
1/4"*45



H3 (X8)
1/4"*57



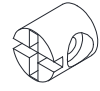
H4 (X12)
19*14*10



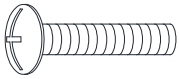
H5 (X14)
Ø12*6*1.2



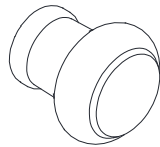
H6 (X14)
Ø11*6*1.5



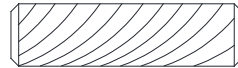
H7 (X24)
Ø 9.5x9.5



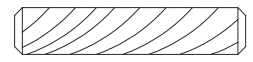
H8 (X6)
5/32*25



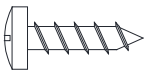
H9 (X6)
Ø 35x33



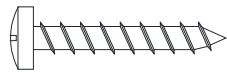
H10 (X18)
Ø 8*30



H11 (X24)
Ø 6*30



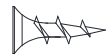
H12 (X19)
Ø 8*15



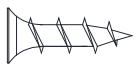
H13 (X24)
Ø 8*25



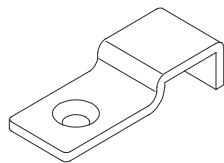
H14 (X24)
Ø 8*45



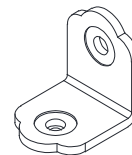
H15 (X24)
Ø 6*12



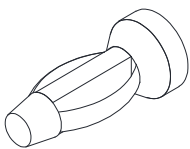
H16 (X18)
Ø 7*12



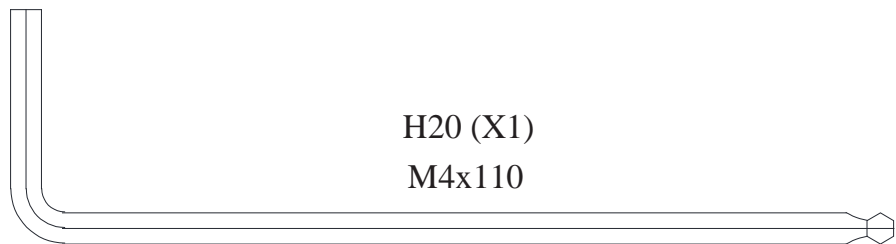
H17 (X6)
40*15*2



H18 (X6)
20*18*16



H19 (X2)
13.5x32



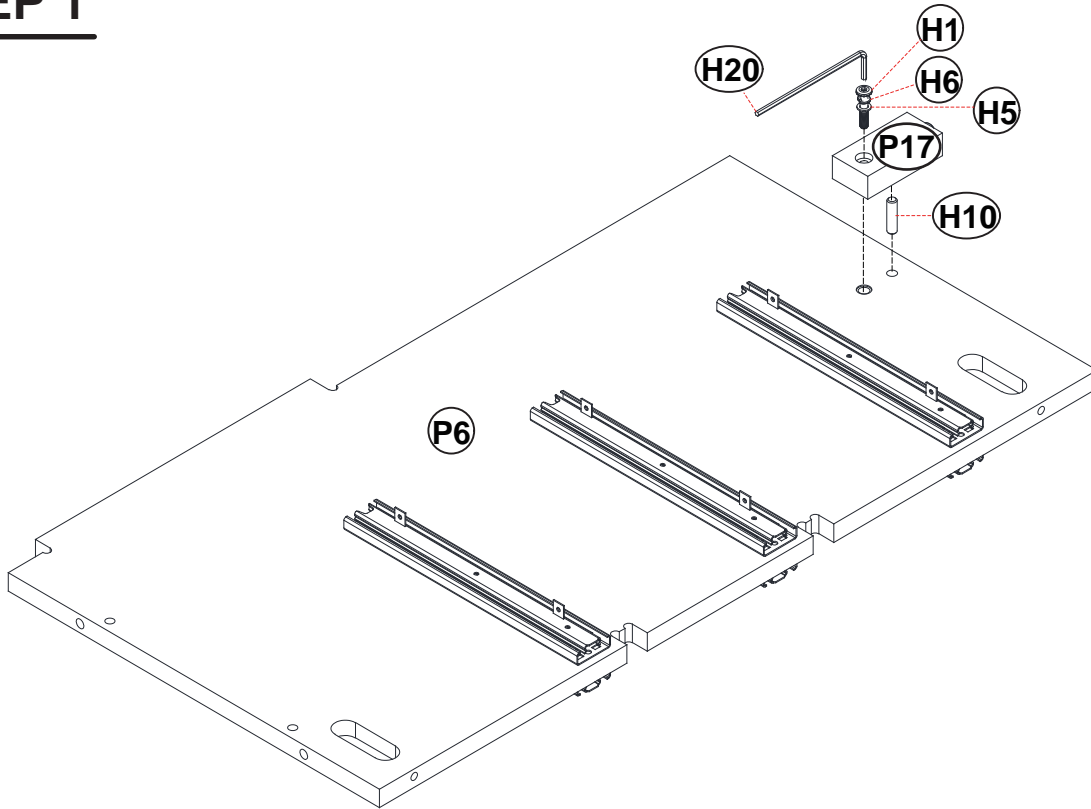
H20 (X1)
M4x110

NOTE:

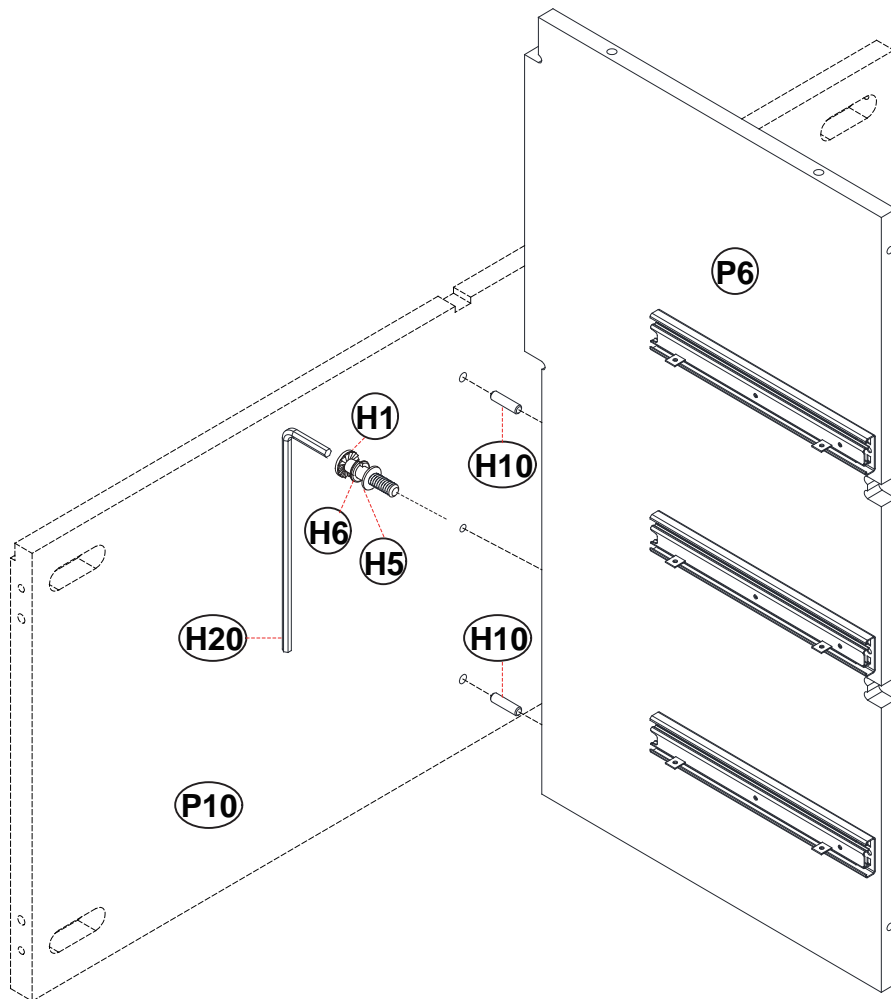


Phillips head screw driver is required in the assembly process; however, manufacturer does not provide this item.

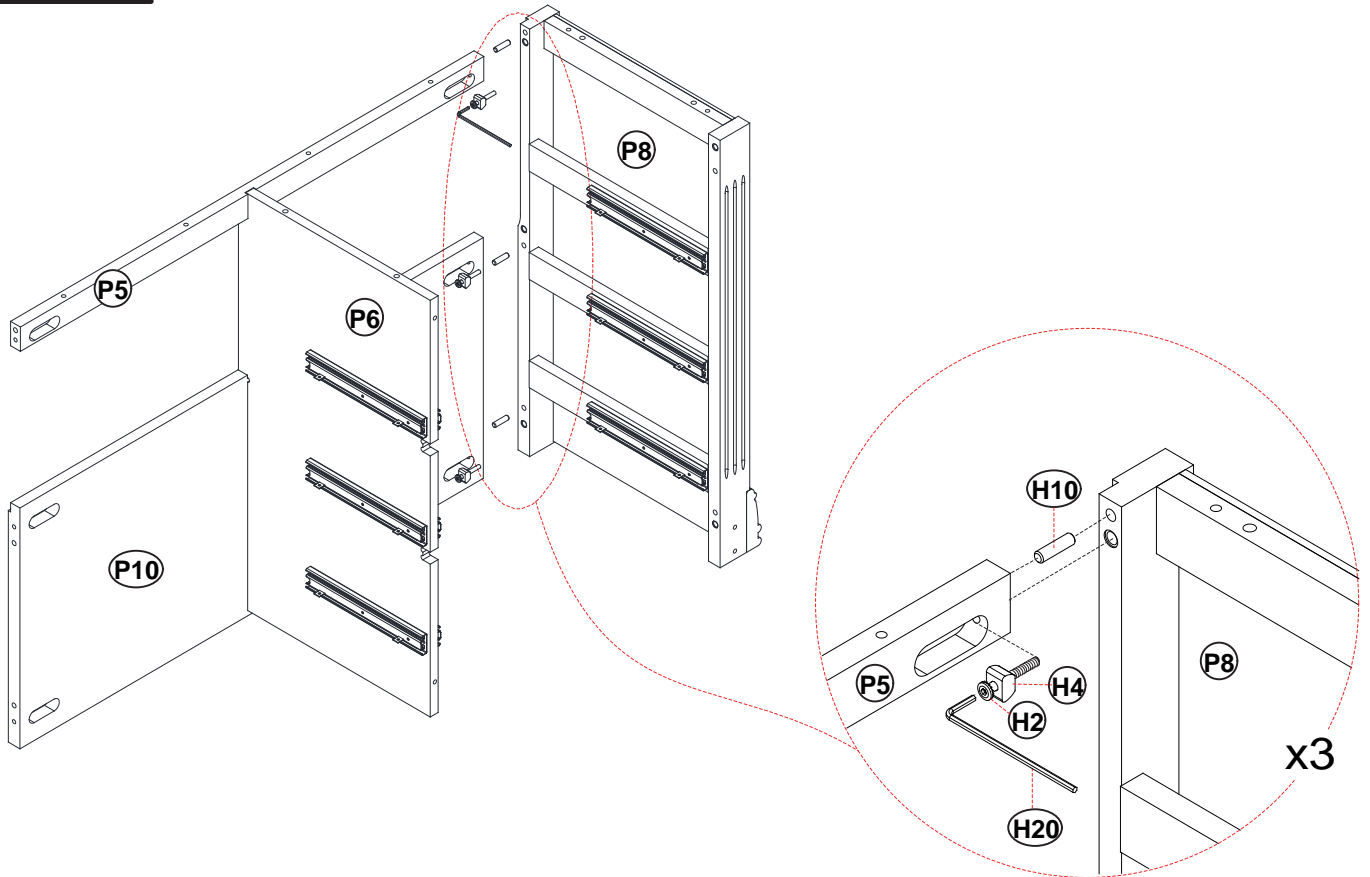
STEP 1



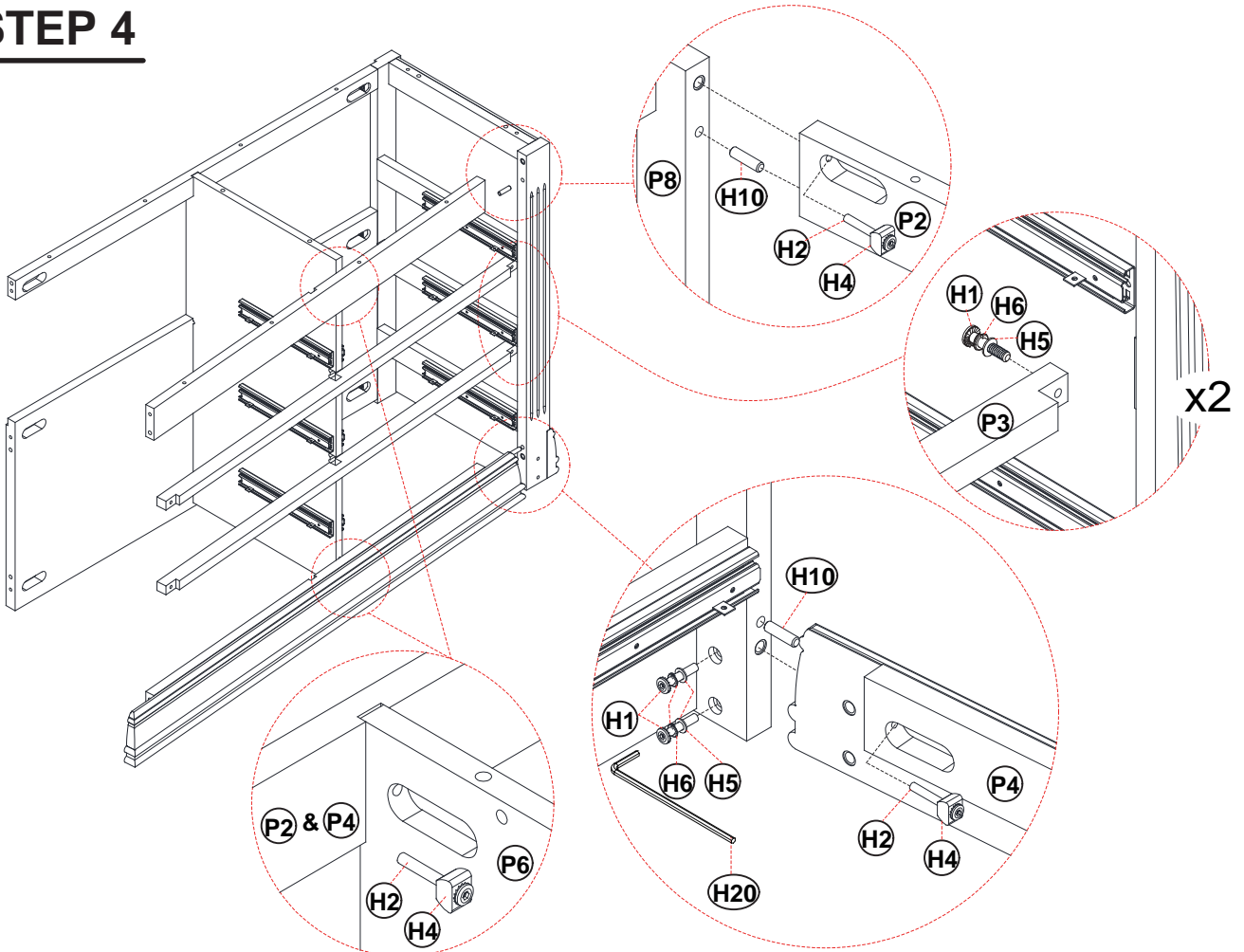
STEP 2



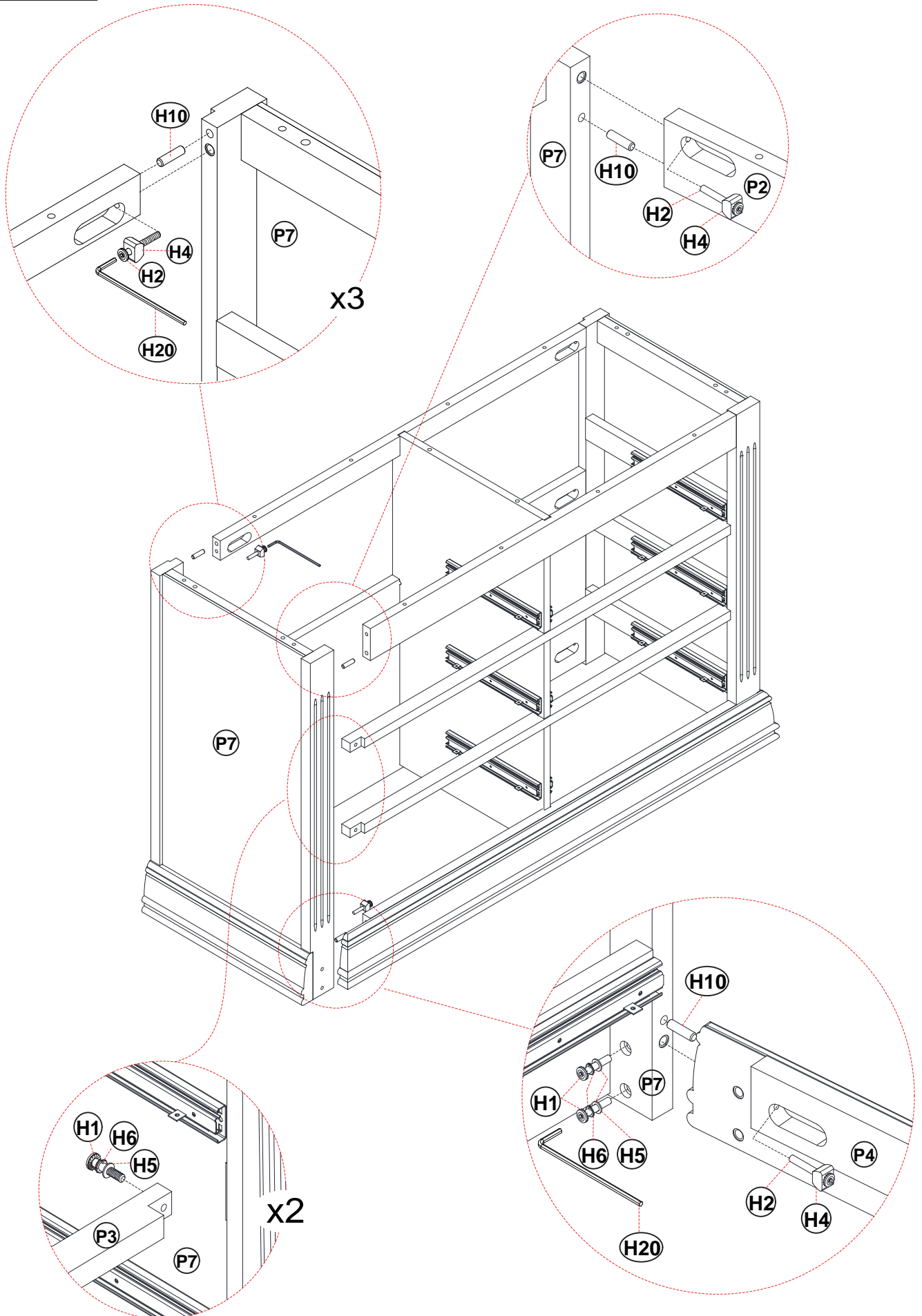
STEP 3



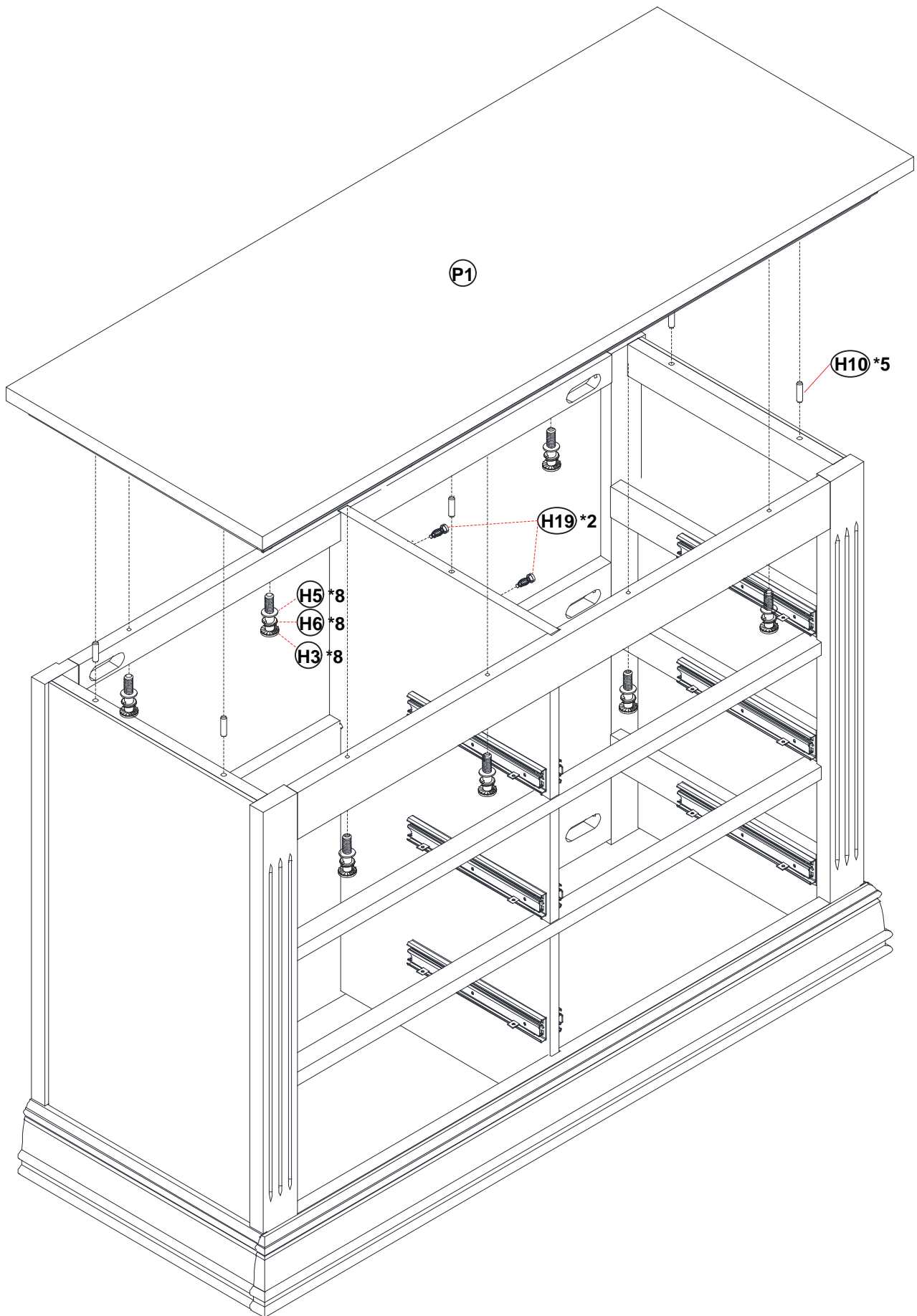
STEP 4



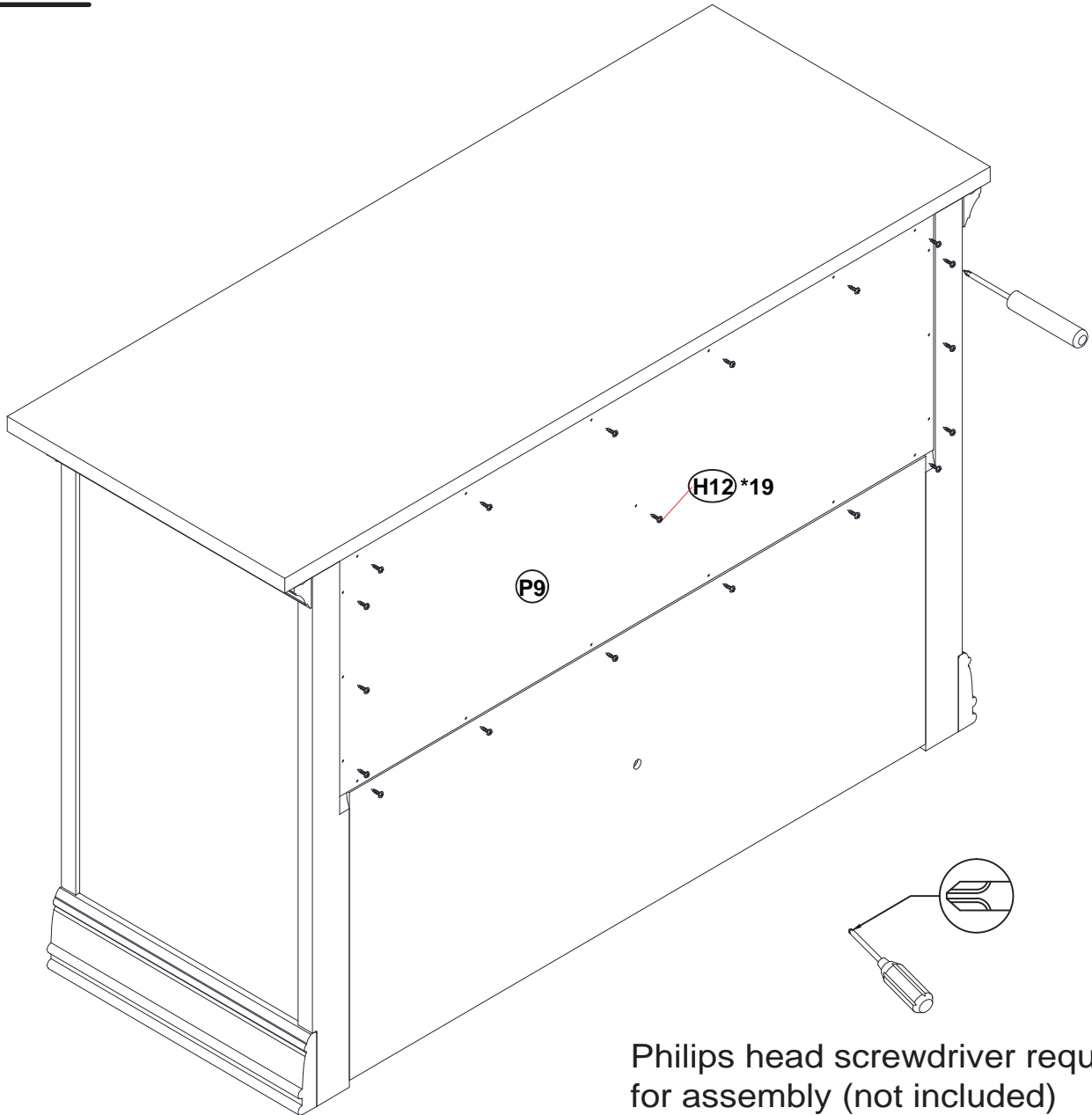
STEP 5



STEP 6

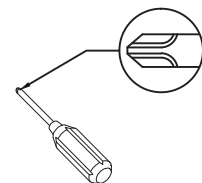
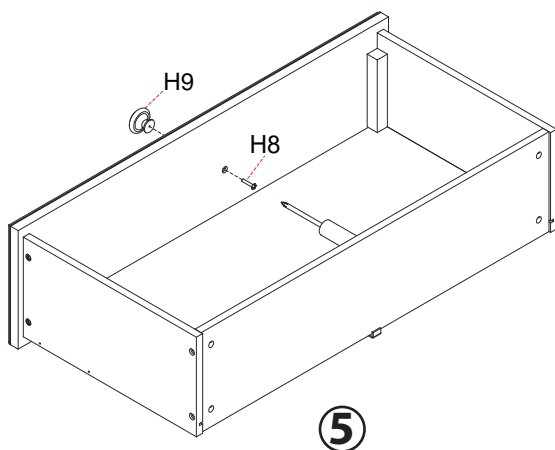
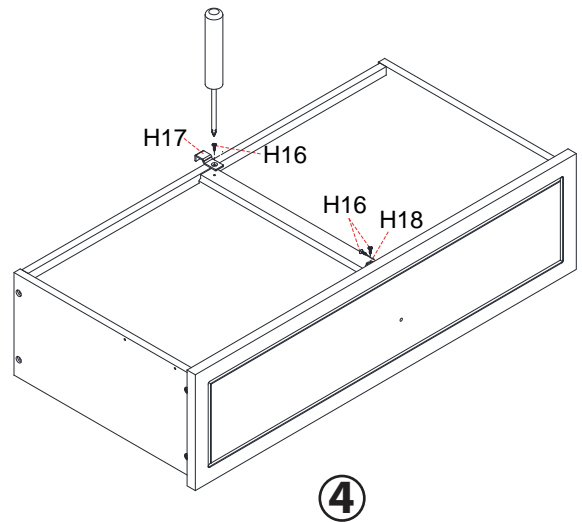
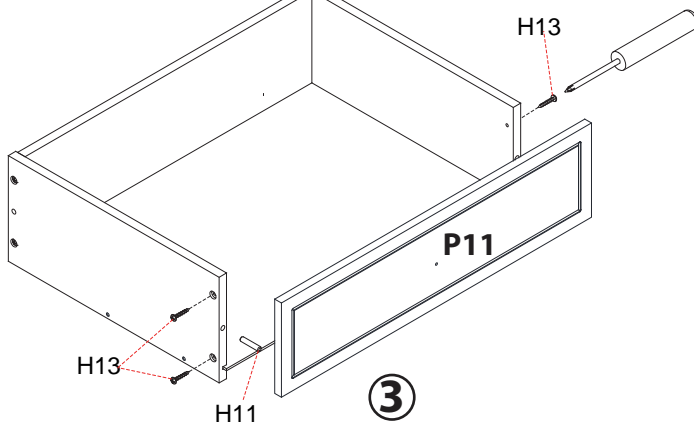
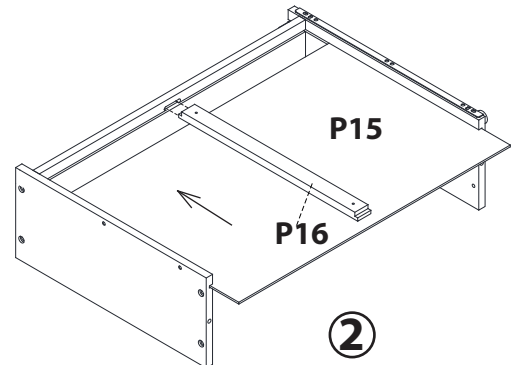
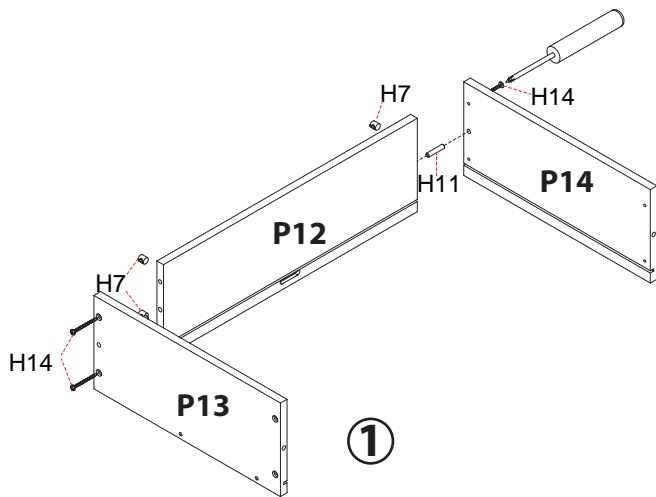


STEP 7



Philips head screwdriver required for assembly (not included)

STEP 8



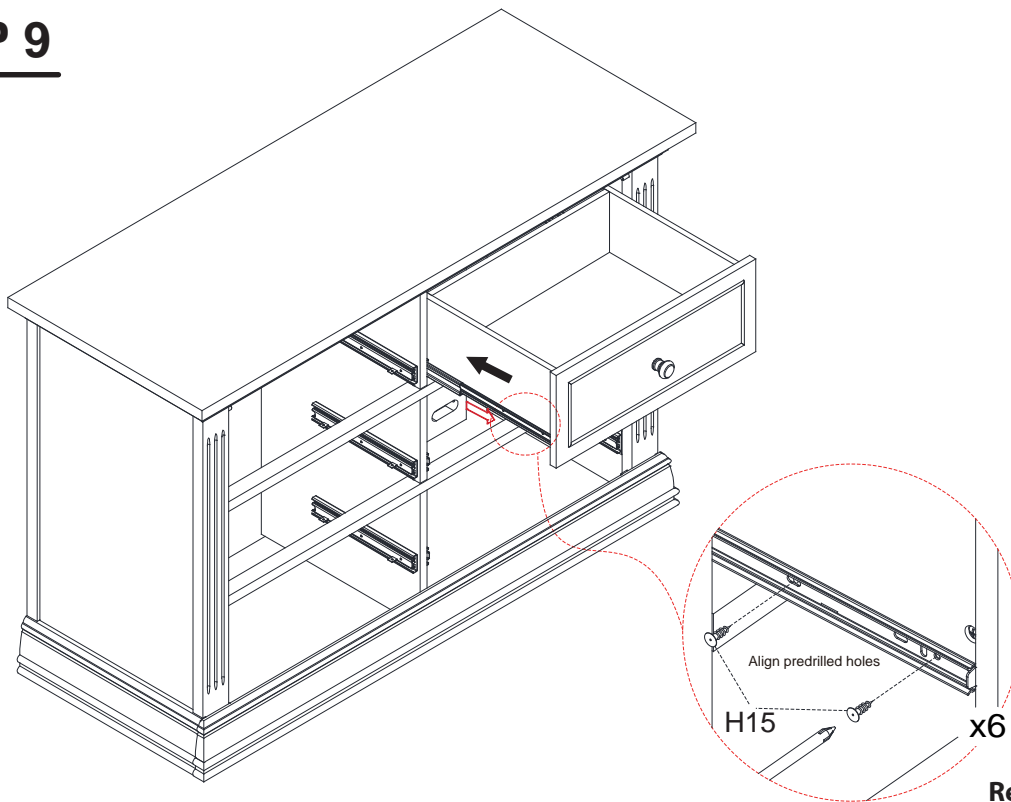
Philips head screwdriver required for assembly (not included)

Check all screws for tightness.

Vérifier à ce que toutes les vis soient bien serrées.

Repeat for all drawers. Set drawers aside for later use.
Répéter les opérations pour tous les tiroirs.
Laisser les tiroirs de côté pour une utilisation ultérieure.

STEP 9



Note: The Topper (#0299) are sold separately to convert to a changing table for you choose.

Contact the store where you purchased the Dresser or visit:
www.sorellefurniture.com to locate a dealer near you.



WARNING

Children have died from furniture tipover. To reduce the risk of furniture tipover:

- ALWAYS install anti-tip device provided.
- NEVER put a TV on this product.
- NEVER allow children to stand, climb or hang on any drawers, doors, or shelves.
- NEVER open more than one drawer at a time.
- Place heaviest items in the lowest drawers.
- Use of tip-over restraints may only reduce, but not eliminate, the risk of tip-over.
- Always monitor your child's activity when in the nursery. Do not allow standing in drawers.
- Do not allow standing on top of this product.
- Accessory items must be securely fastened to this product according to the instructions provided with those items.
- To avoid head injury, do not allow children to play underneath open drawers.
- Do not leave drawers open when not in use.

NOTES ON CARE AND MAINTENANCE:

- **Do not** scratch or chip the finish.
- Inspect the product periodically, contact C&T International Inc. for replacement parts or questions.
- **Do not** store the product or any parts in extreme temperatures and conditions such as a hot attic or a damp, cold basement. These extremes can cause a loss of structural integrity.
- To preserve the luster of the high quality finish on your product, it is recommended to place a doily or felt pad under any items you place on the finish.
- Clean with a damp cloth, then a dry cloth to preserve the original luster and beauty of this fine finish.
- Do not** use abrasive chemicals.
- Do not** spray cleaners directly onto furniture.
- Lift slightly when moving on carpeting to prevent leg breakage.
- Use of a vaporizer near furniture will cause wood to swell and finish to peel.