
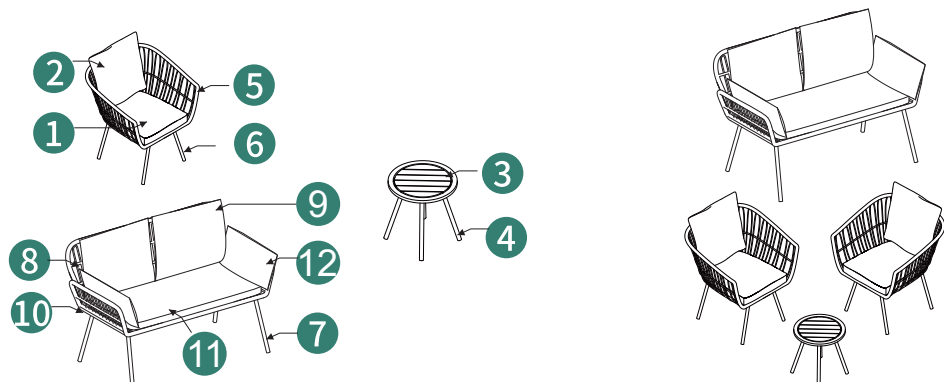

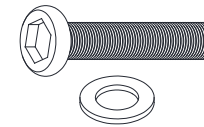
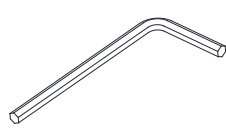


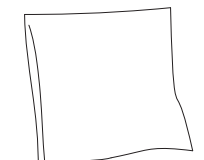
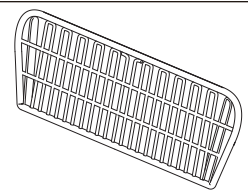
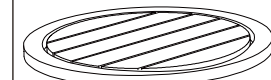
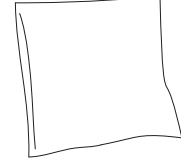
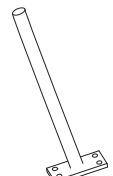
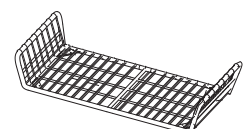

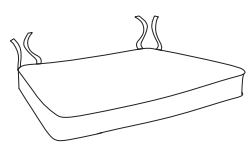
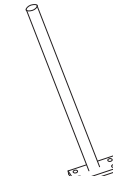
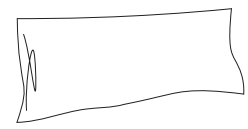
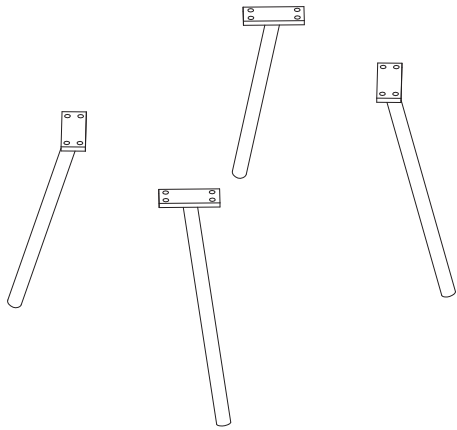
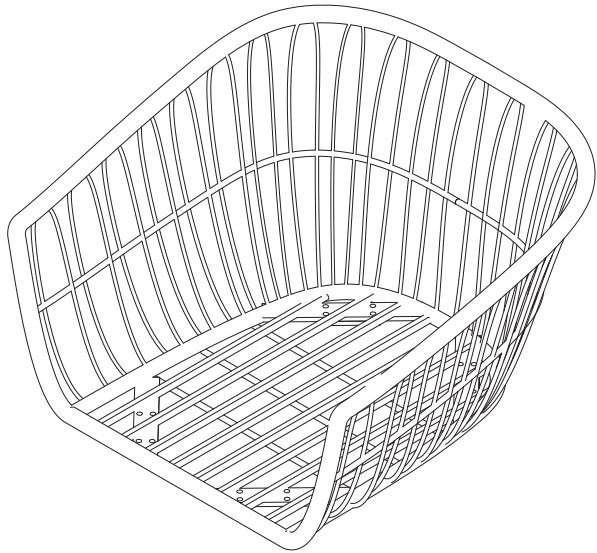


"IMPORTANT, RETAIN FOR FUTURE REFERENCE: READ CAREFULLY"

-  1. Assemble product on a flat, clean surface.
- 2. Ensure that all screws are placed in correct positions prior to tightening.
- 3. If a screw cannot be inserted, loosen it and try again. Once all screws are aligned and inserted, tighten them in a crisscross pattern.
- 4. Do not fully tighten all screws until assembly is completed.

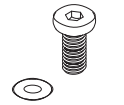


		
Item no.	Reference Image	Qty.
A	 M6×15	X 64
B	 M6×40	X 5
-		X 2

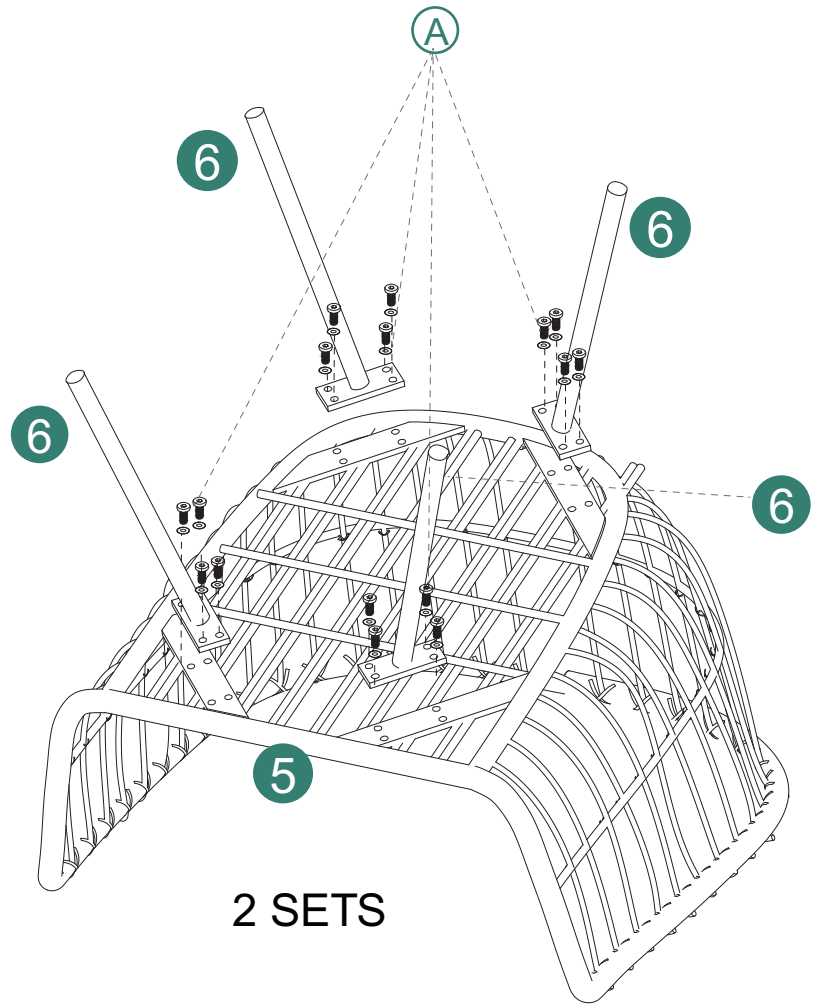
Item no.	Reference Image	Qty.	Item no.	Reference Image	Qty.
1		×2	7		×4
2		×2	8		×1
3		×1	9		×2
4		×4	10		×1
5		×2	11		×1
6		×8	12		×2



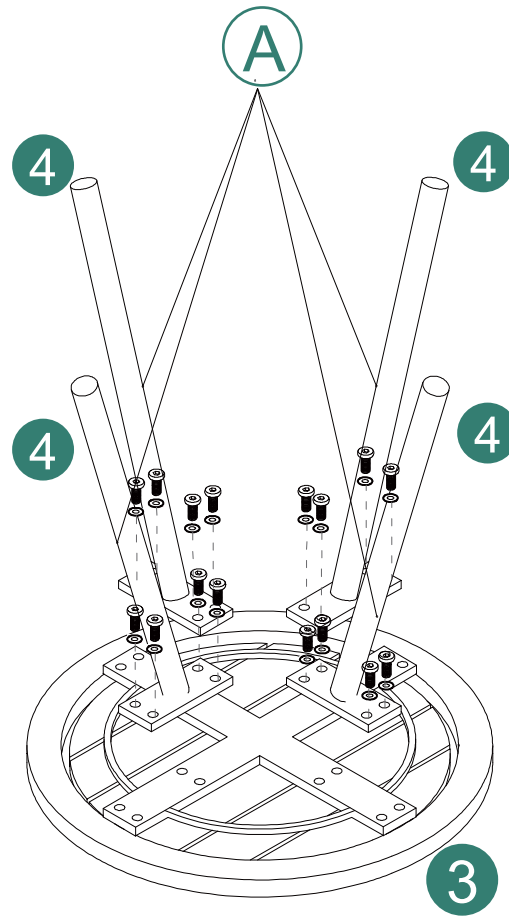
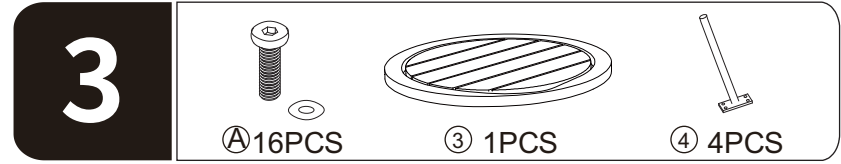
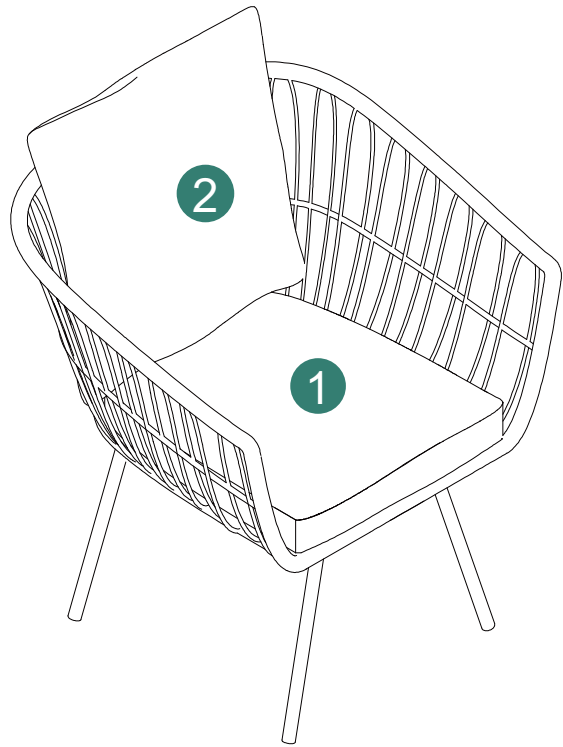
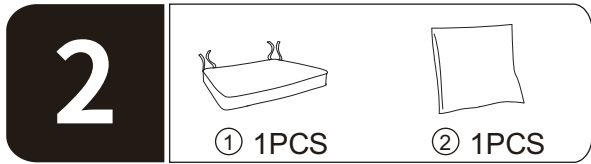
2 SETS

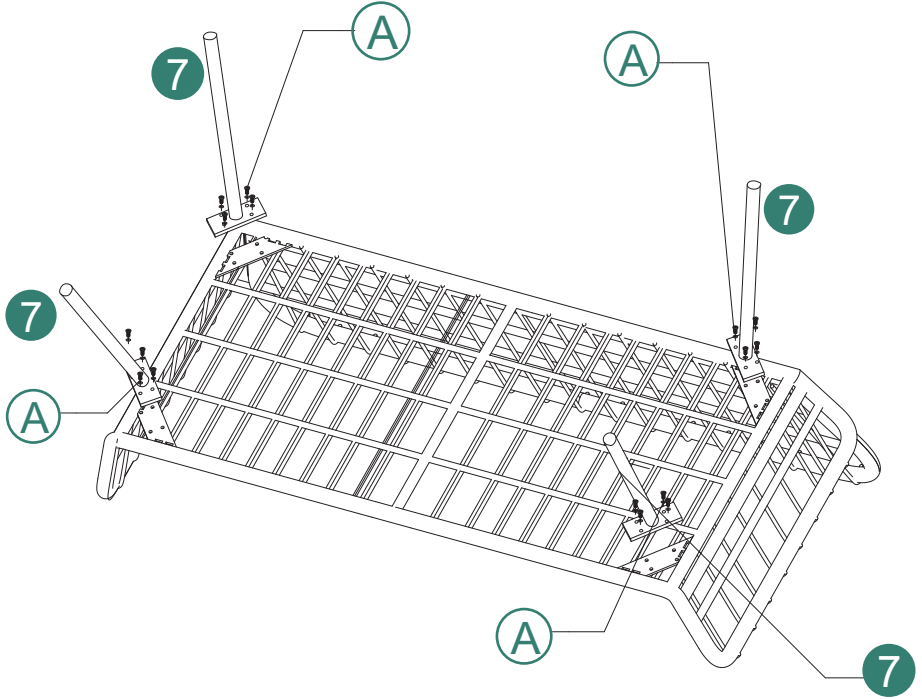
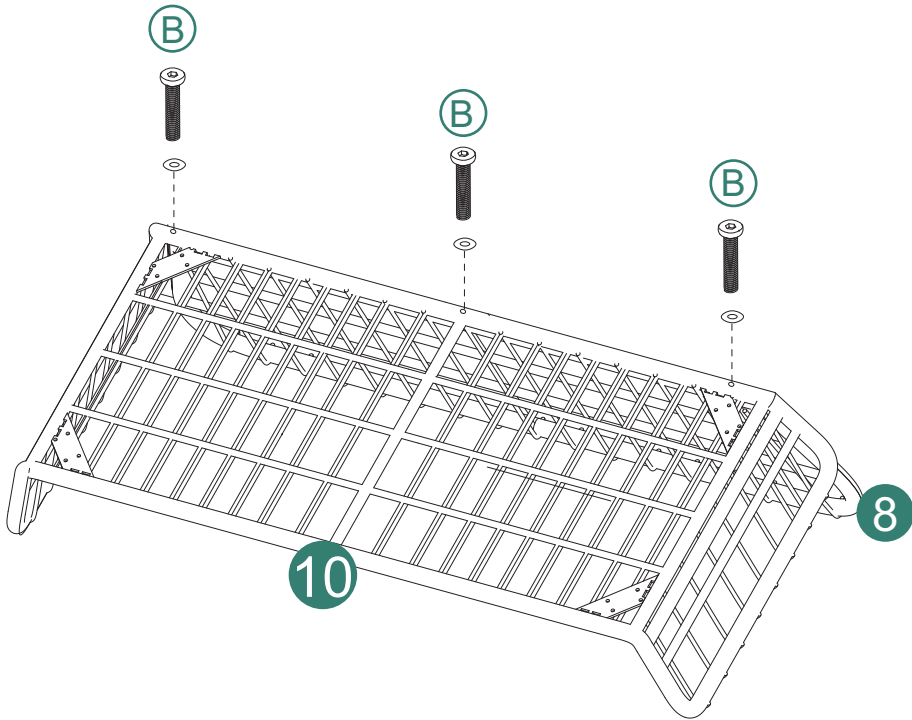
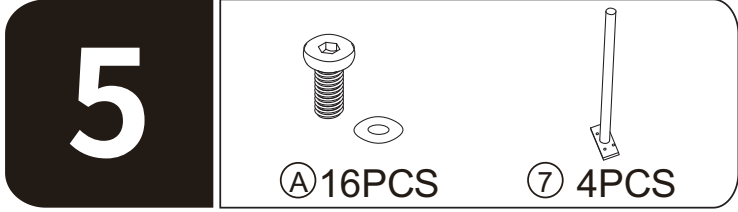
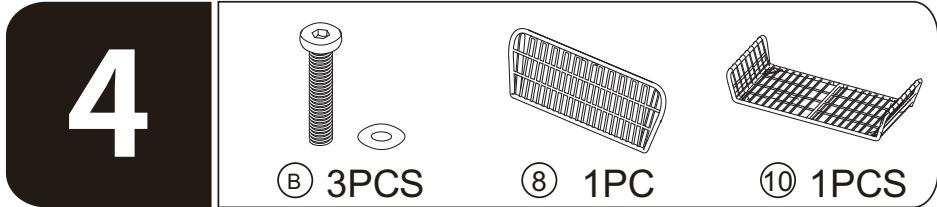
1

 A 32PCS	 5 2PCS	 6 8PCS
--	---	---

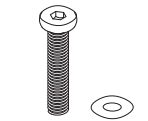


2 SETS





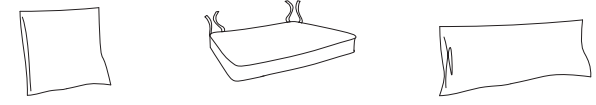
6



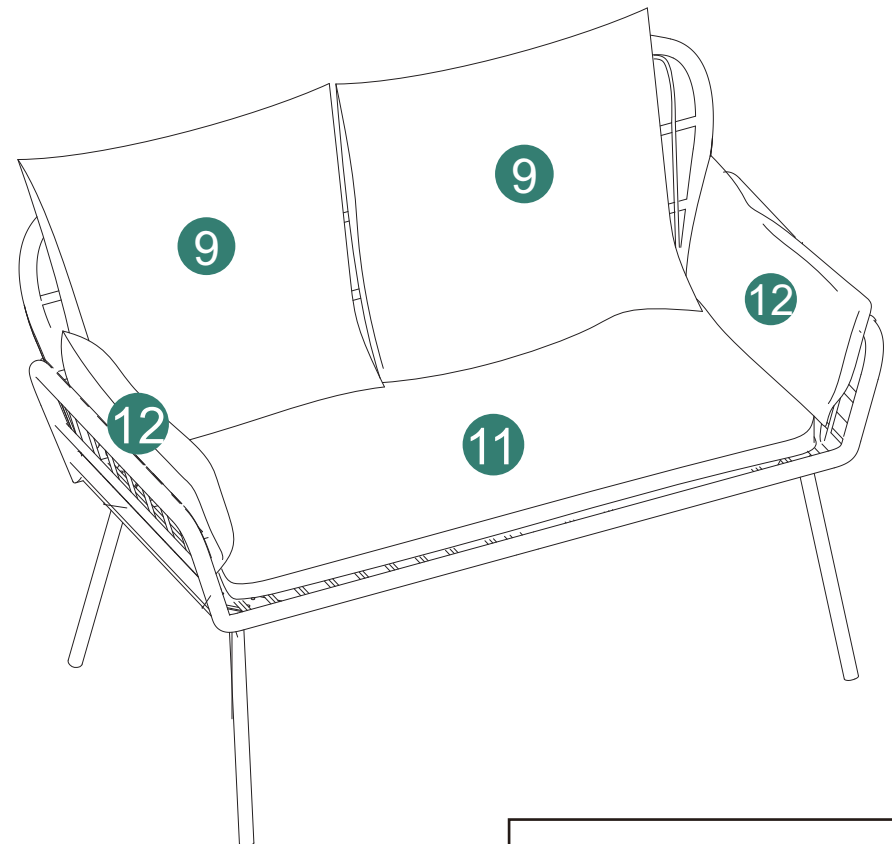
Ⓑ 2PCS



7



⑨ 2PCS ⑪ 1PC ⑫ 2PCS



Installation Completed