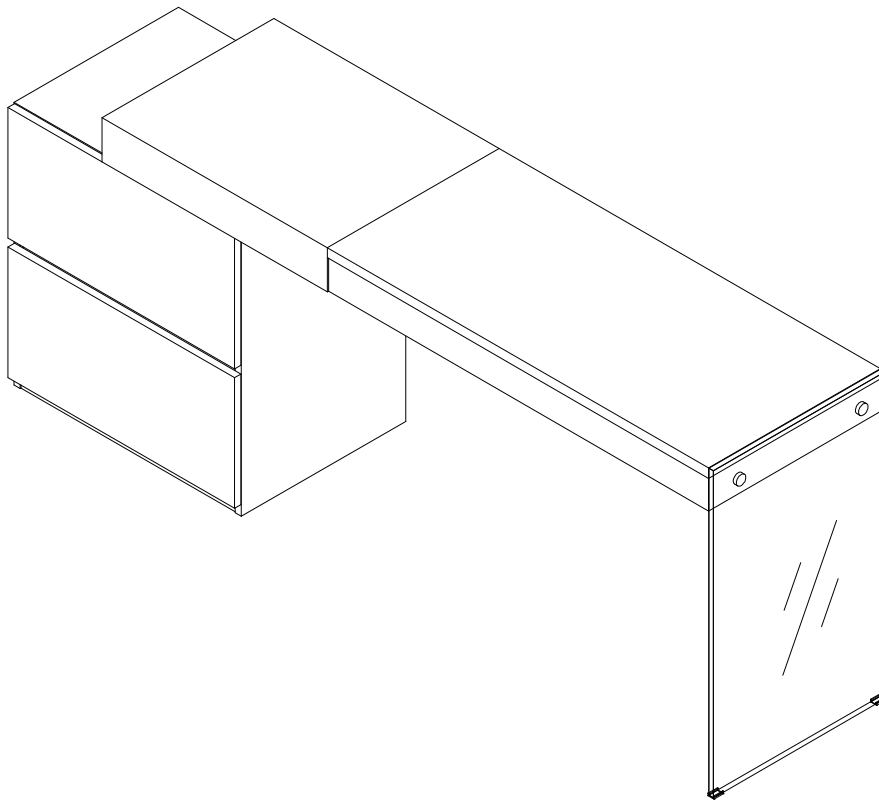
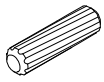
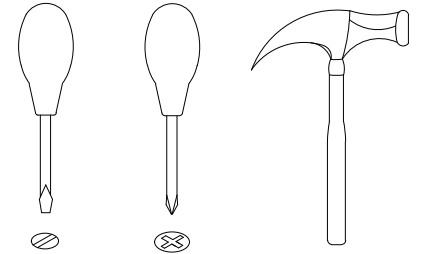
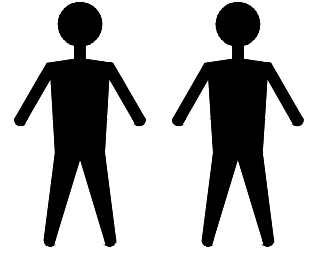


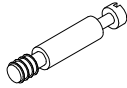
CP1110C30



CP1110C30



A x10
Spec: $\varnothing 8 \times 30$



B x14
Spec: $\varnothing 7 \times L30$



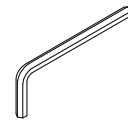
C x14
Spec: $\varnothing 15 \times H12$



D x8
Spec: $\varnothing 6 \times L28$



E x8
Spec: $\varnothing 12 \times H9$



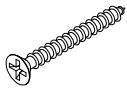
F x1
Spec: 5#



G x1
Spec: 10g



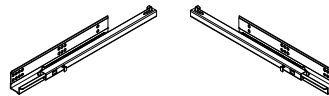
H x16
Spec: $\varnothing 6 \times 30$



I x8
Spec: $\varnothing 3.5 \times L35$



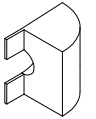
J x12
Spec: $\varnothing 6 \times L8$



K x2
Spec: L350



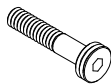
L x6
Spec: $\varnothing 3.5 \times L16$



M x6
Spec: H13



N x2
Spec:



O x2
Spec: $\varnothing 8 \times 32$



P x2
Spec: $\varnothing 25 \times 8$



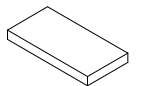
Q x2
Spec: $\varnothing 10 \times 18$



R x2
Spec:



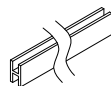
S x22
Spec:



T x4
Spec: $30 \times 15 \times 3$



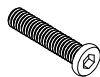
U x4
Spec: 38×38



V x1
Spec: L561



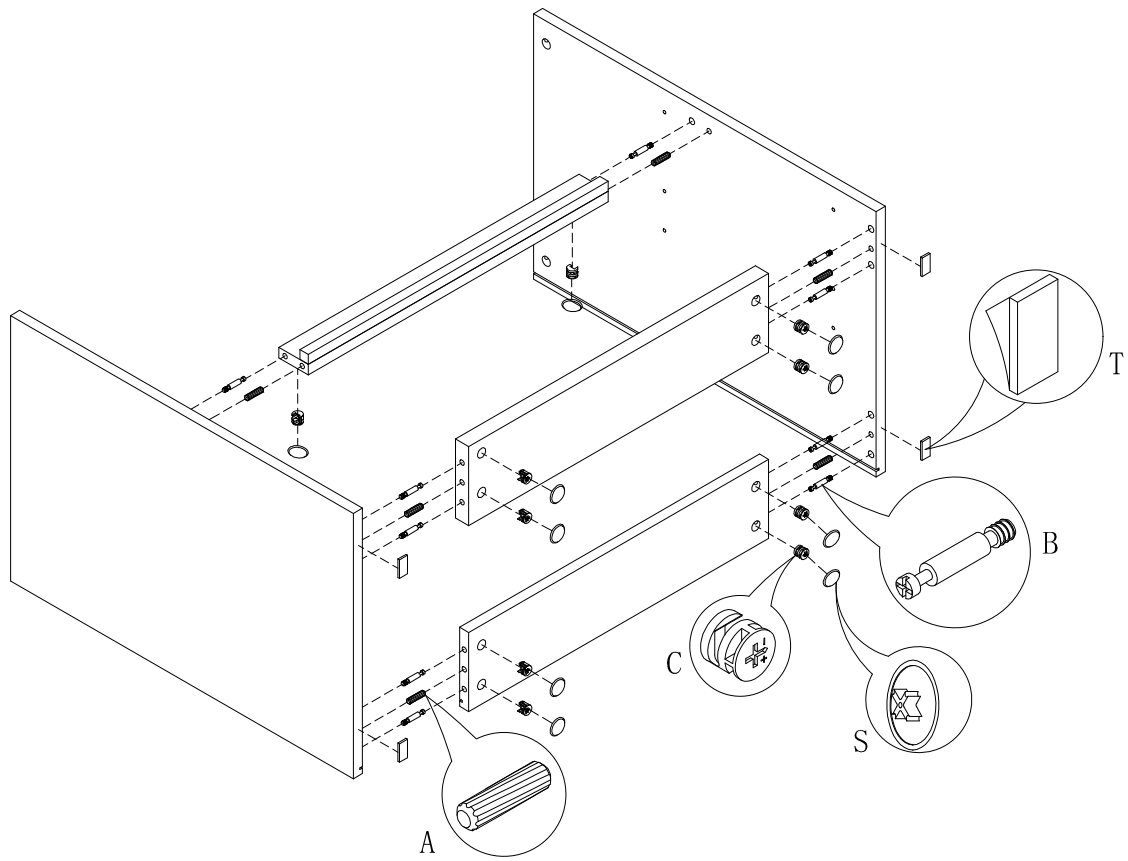
W x5
Spec: $\varnothing 8 \times \varnothing 18$



X x5
Spec: $5/16 \times 45$

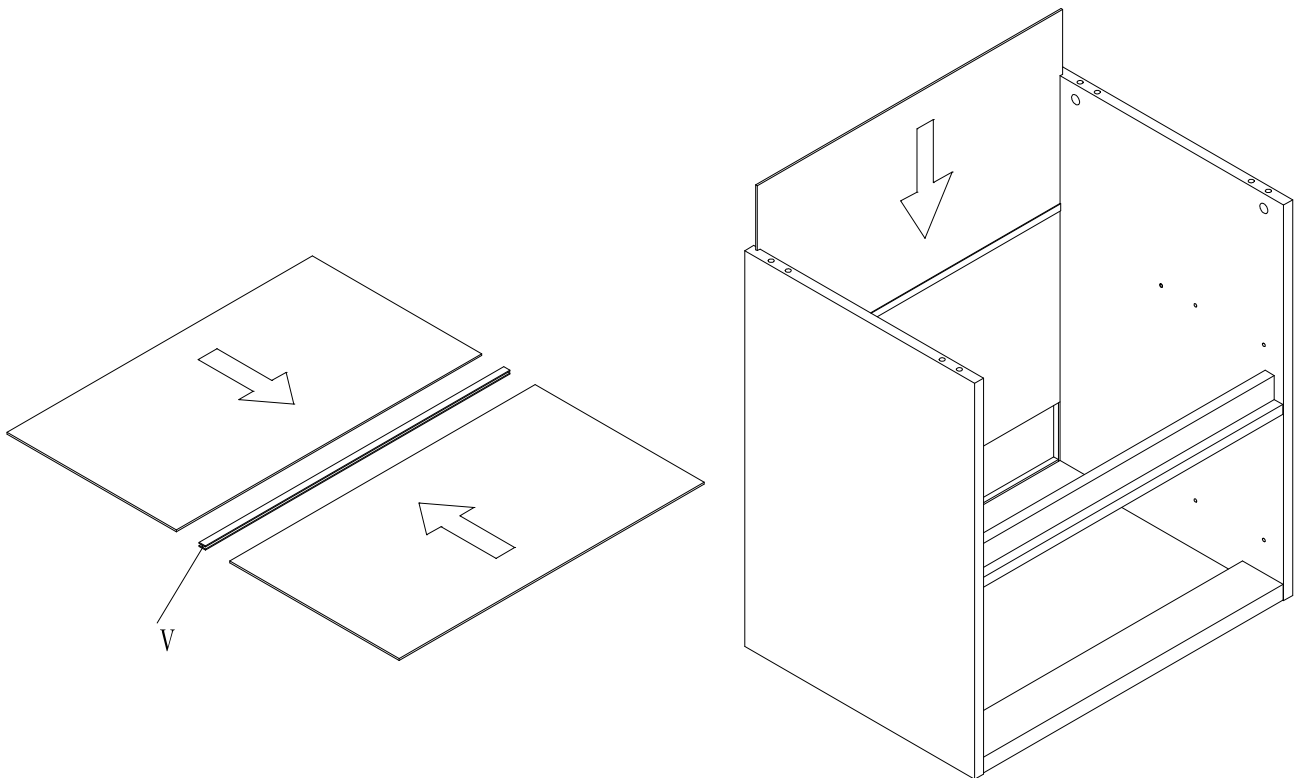


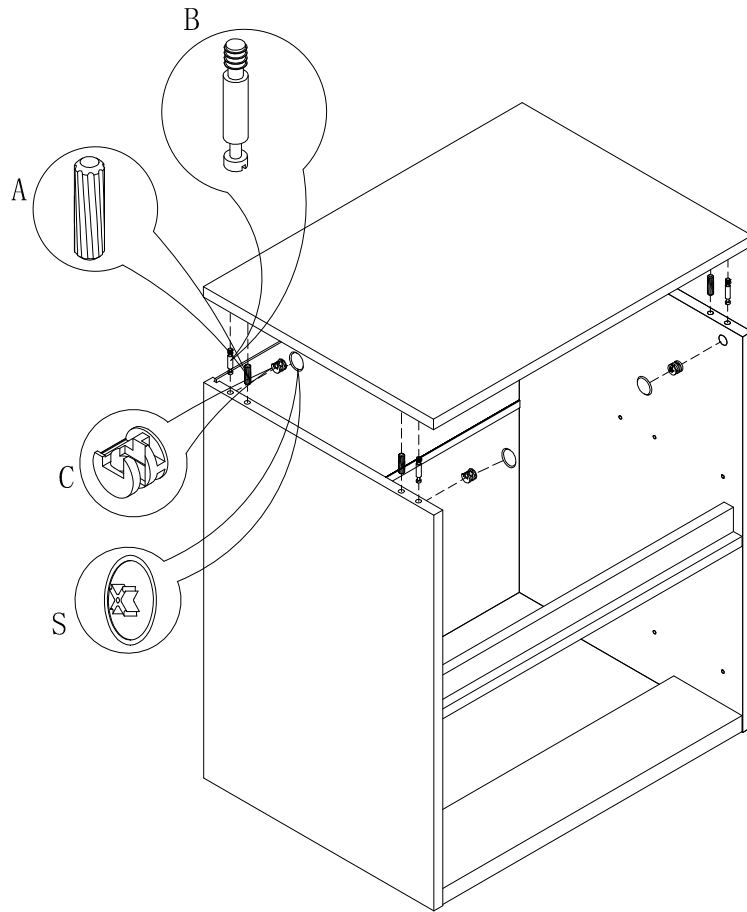
AAA x8
Spec: $\varnothing 3.8 \times L12$



1

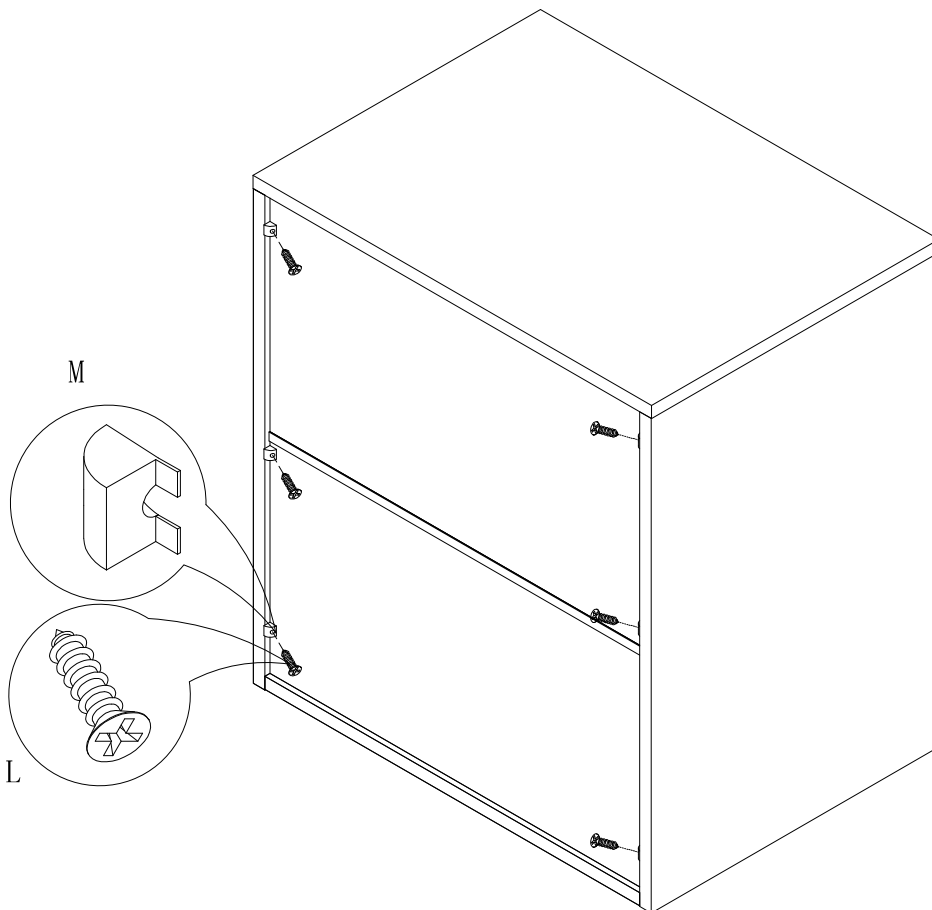
2

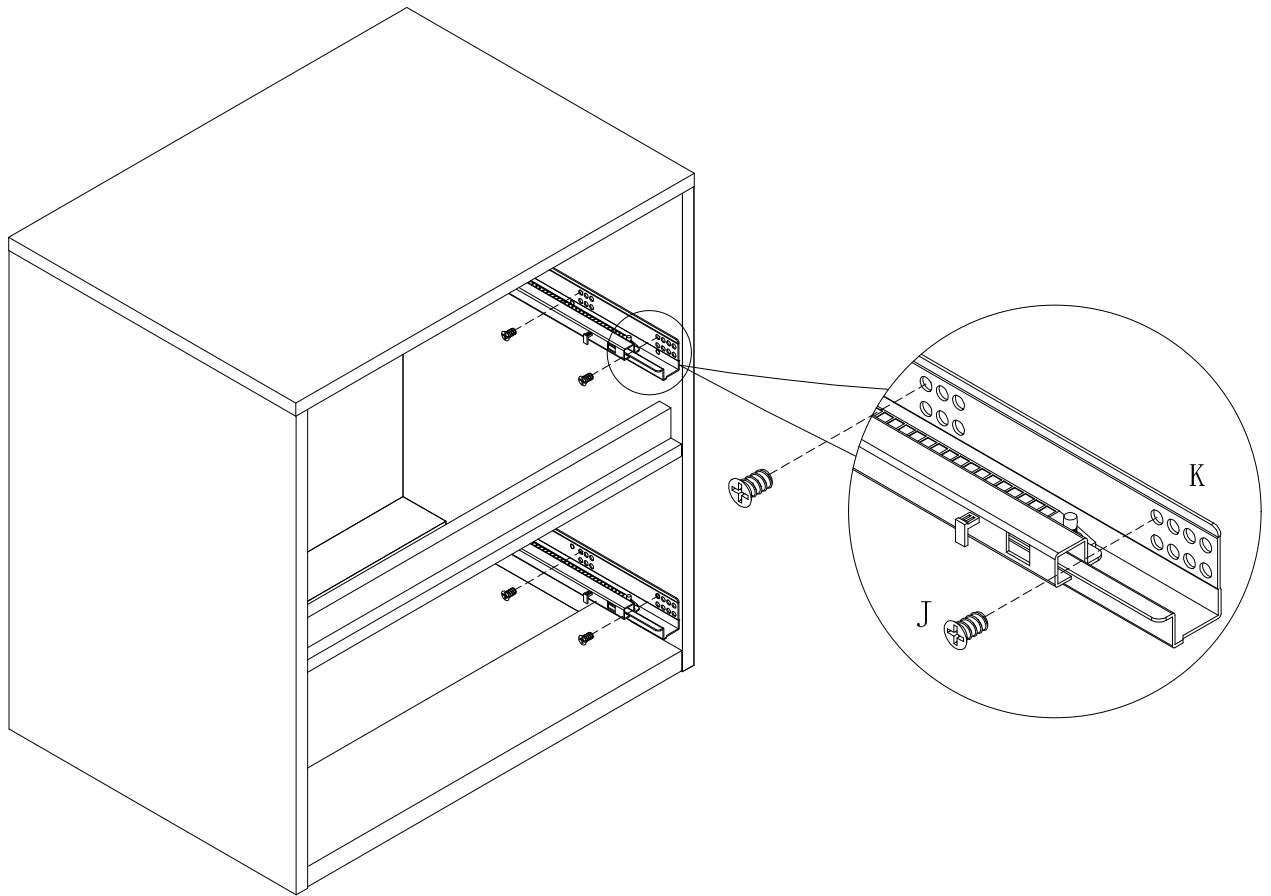




3

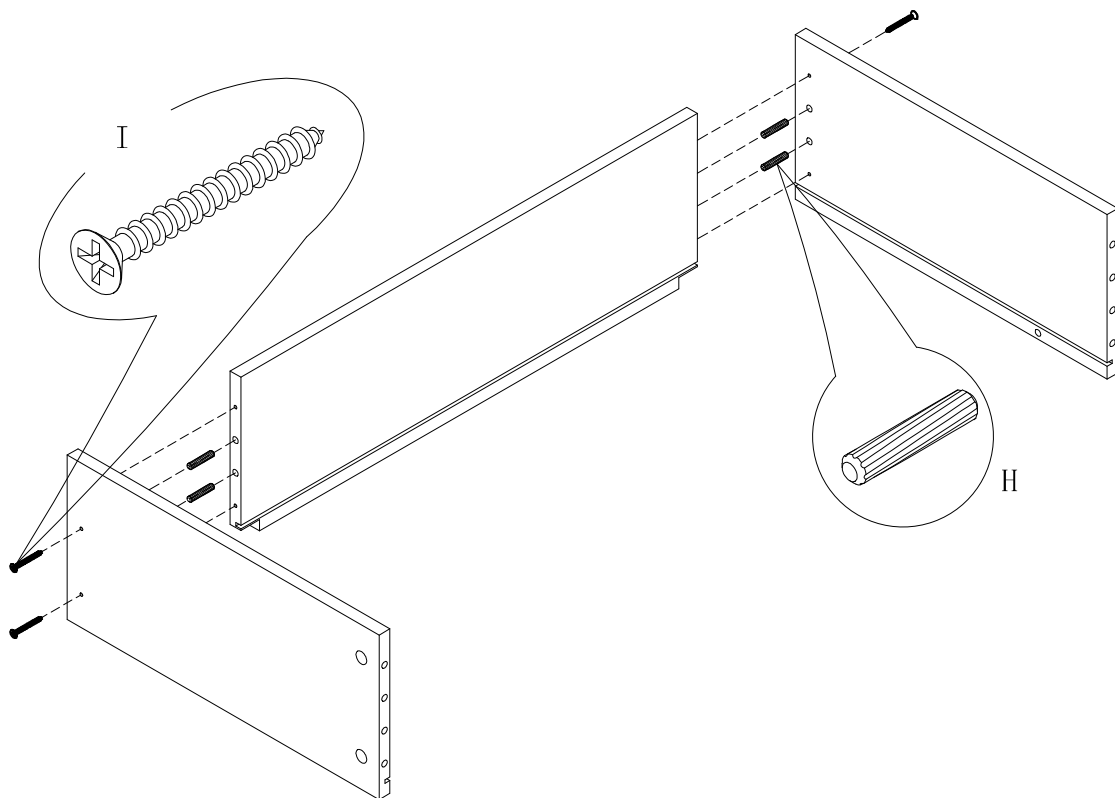
4

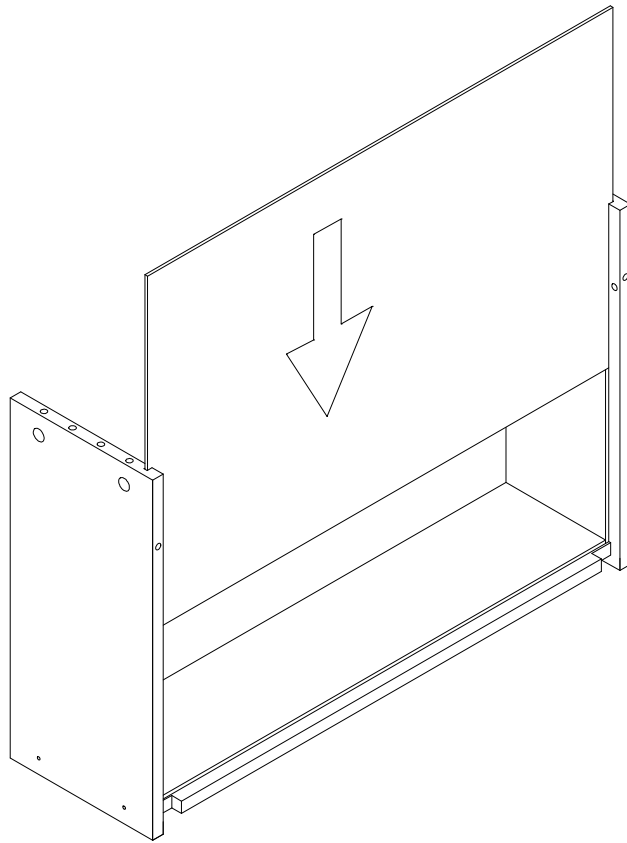




5

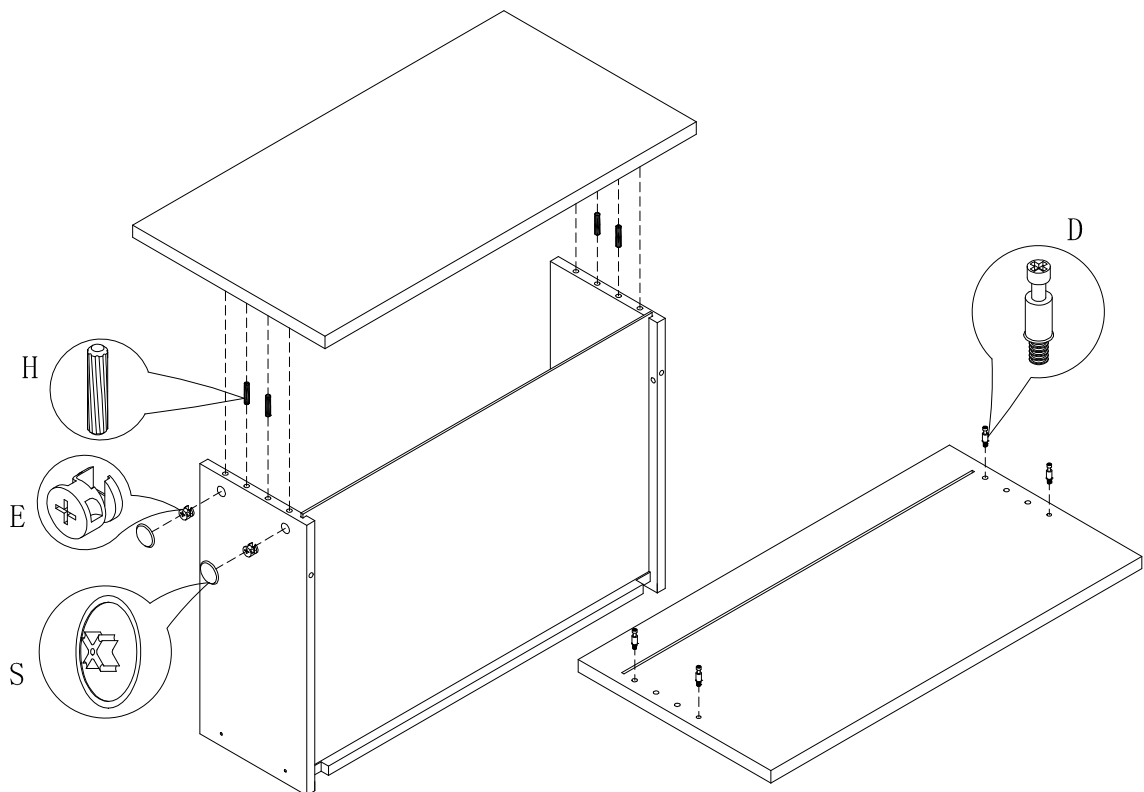
6

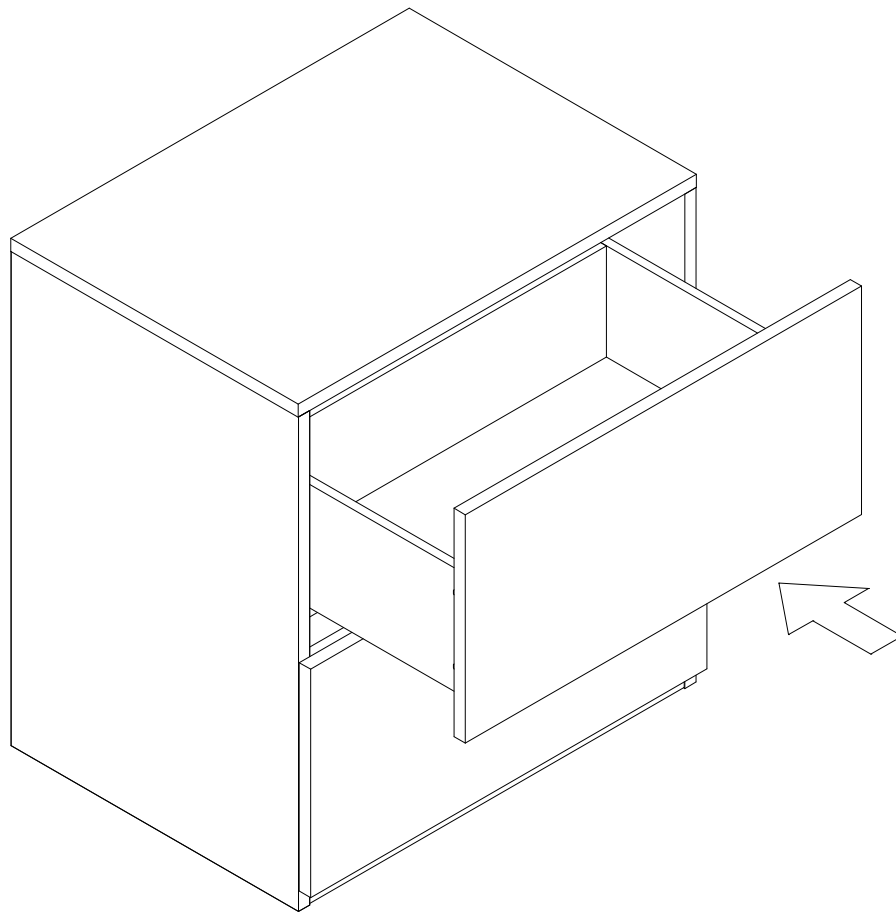




7

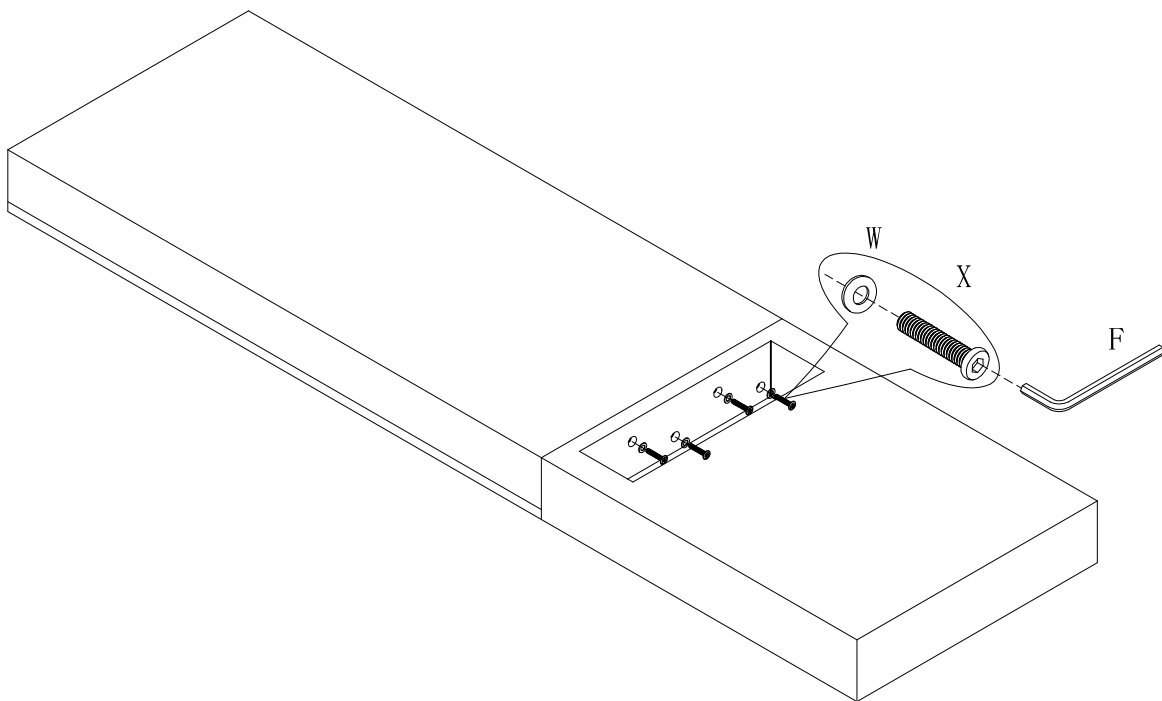
8

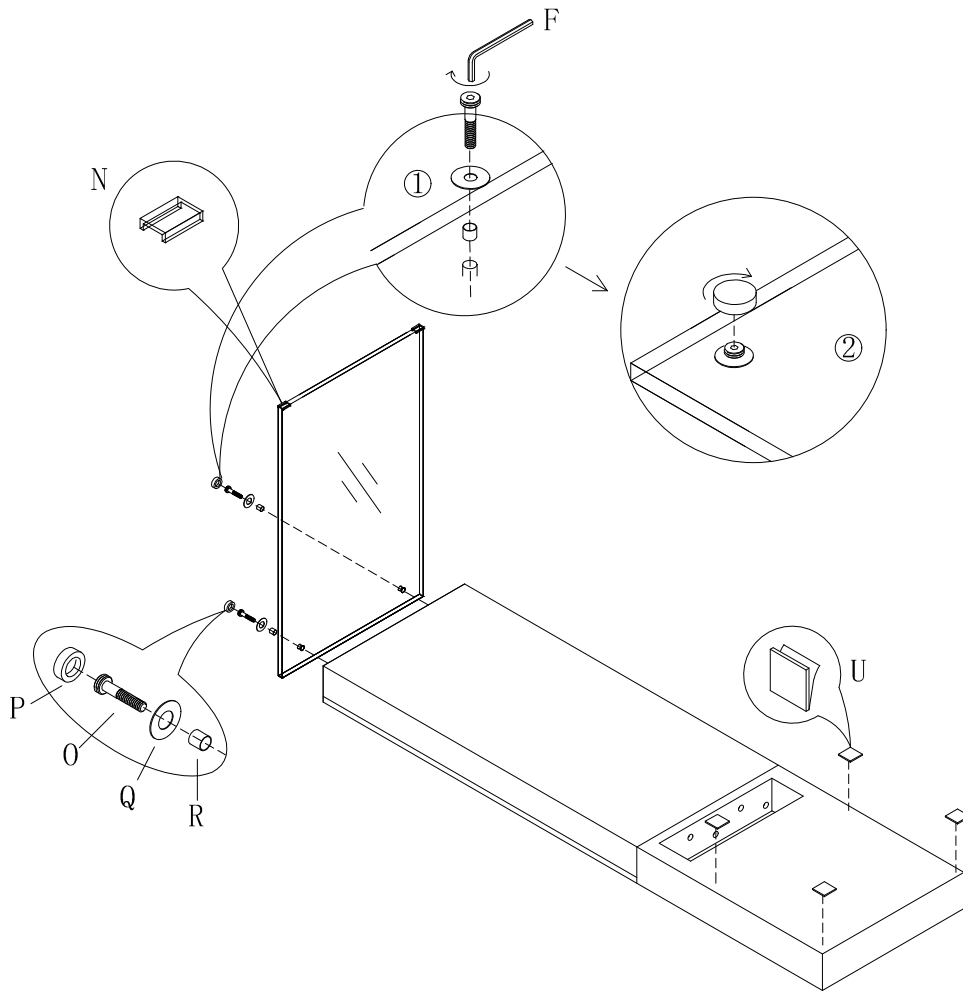




9

10





11

12

