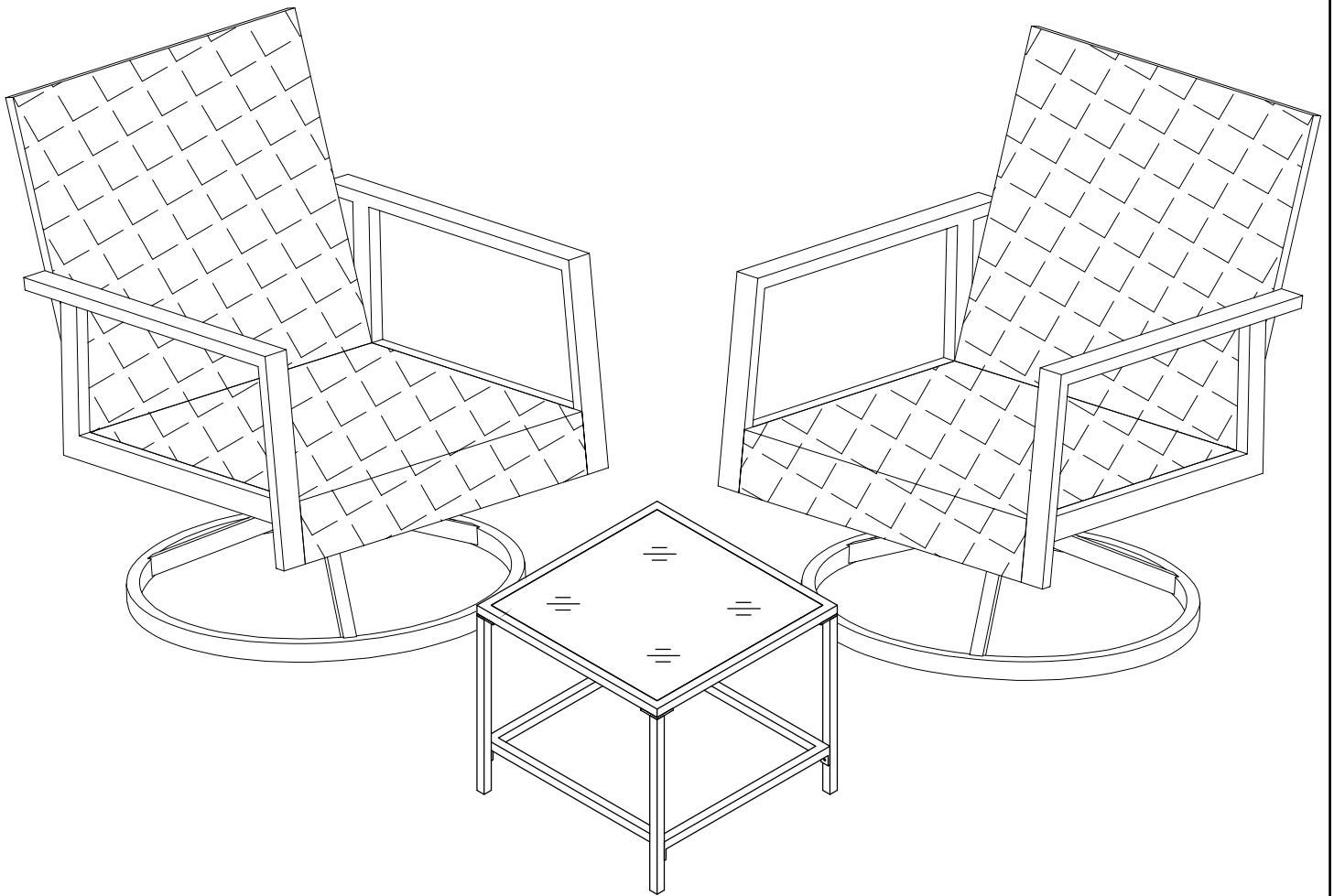


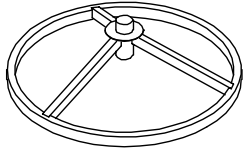
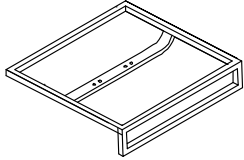
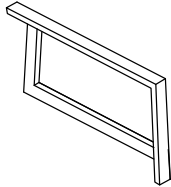
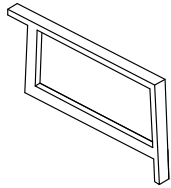
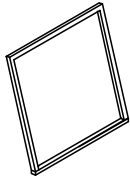
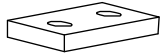

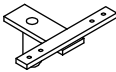
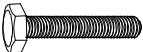
# Instruction of Patio Chair

SKU:OV-RS059


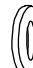


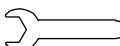

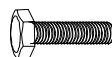



**Warning :** Do not fully tighten all bolts until assembly is complete.

# PACKING LIST

N	2		Base
P	2		Seat panel
Q	2		Left armrest
R	2		Right armrest
S	2		Back panel
T	8		Rectangular gasket
M	6		Screw M6x35mm
O	2		Support
BB	8		Screw M8x30mm

# PACKING LIST

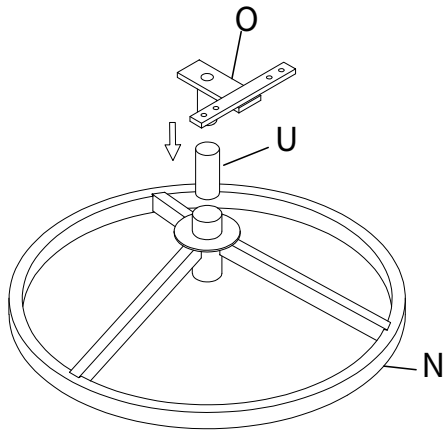
E	18		Washer M6
V	16		Washer M8
W	16		Nut M8
I	12		Screw M6x30mm
X	2		Wrench M8
Y	1		Spanner
Z	4		Spring leaf
AA	8		Screw M8x28mm
U	2		Sleeve

## Customer Service

Contact email: [service-outdoor@hotmail.com](mailto:service-outdoor@hotmail.com)

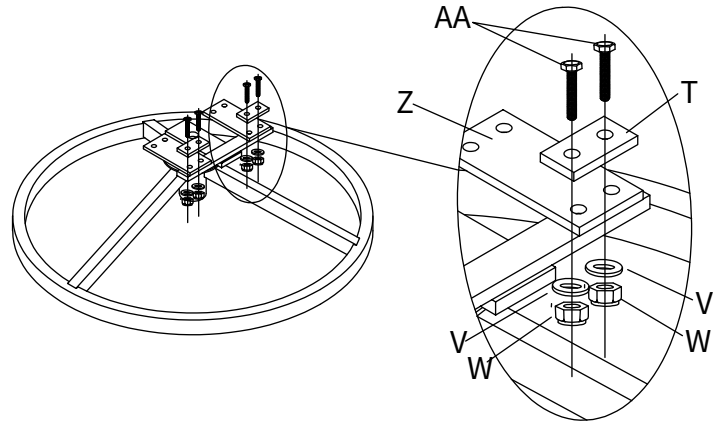
# INSTALL THE CHAIR

1



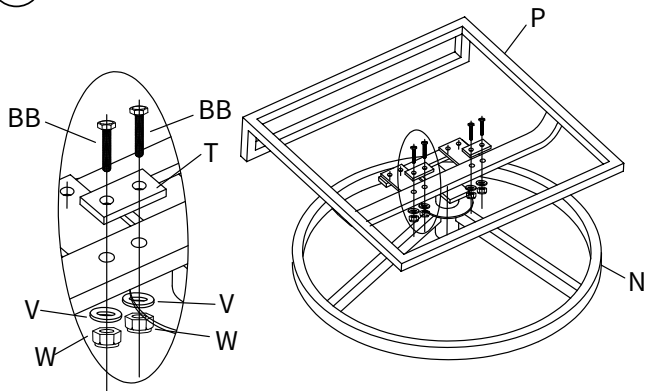
Put the sleeve U and suport O to the base.

2



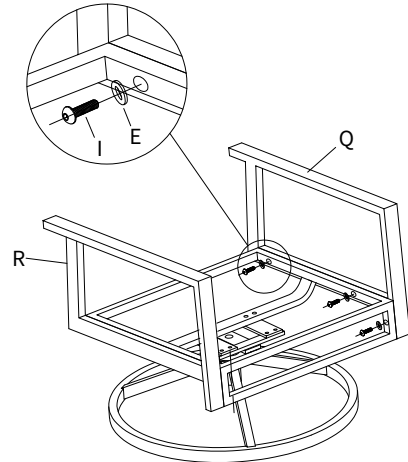
Place Part T and Part Z to the support O.

3



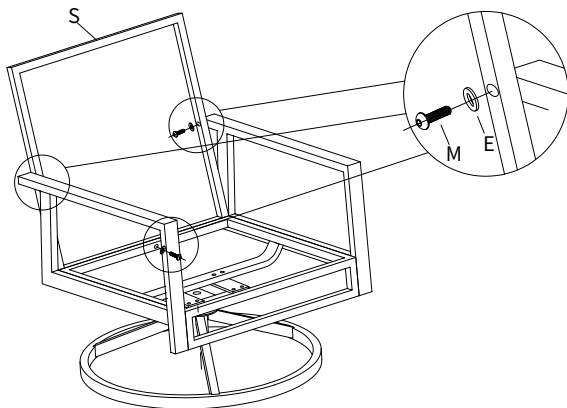
Install the seat panel and base.

4



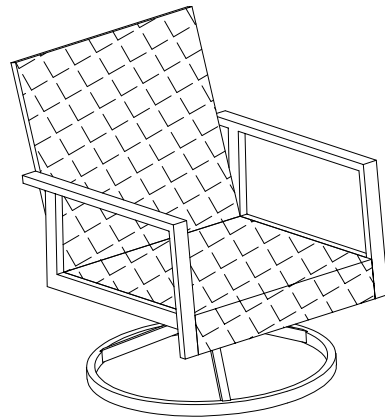
Install the armrests.

5



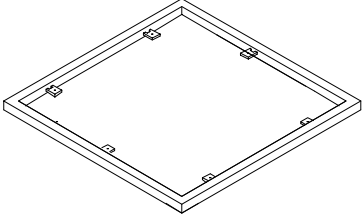
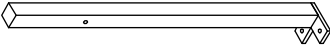
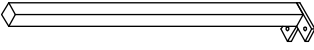


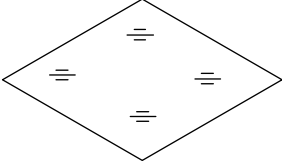
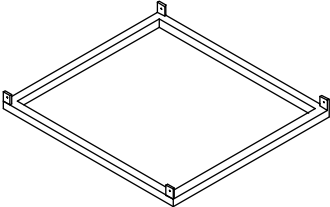

Fix all with screws and washers.

6



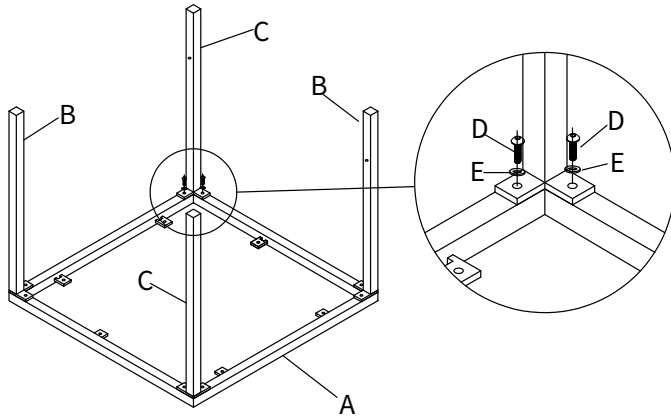
The installation is complete.

# PACKING LIST

A	1		Top Frame Of Table
B	2		Foot Tube
C	2		Foot Tube
D	12		Screw M6*15mm
E	12		Washer M6
F	1		Glass
G	1		Base Frame of table
Y	1		Spanner

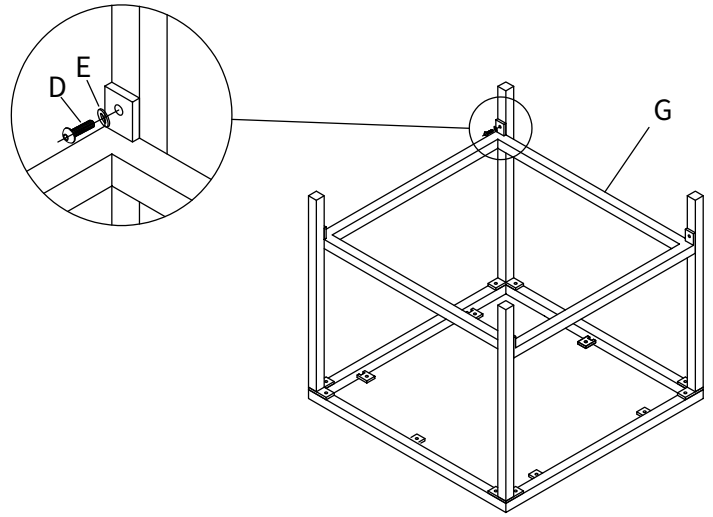
# INSTALL THE COFFEE TABLE

①



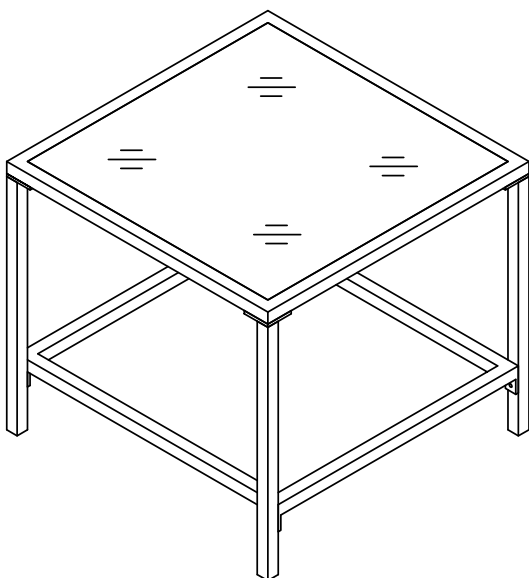
Install the base frame and foot tube as the pics shows, then fix with screws D&E.

②



Put the top frame of the table on the installed frame as pic show, fix with screws D&E.

③



Place the glass on the top of the table frame, the installation is complete.