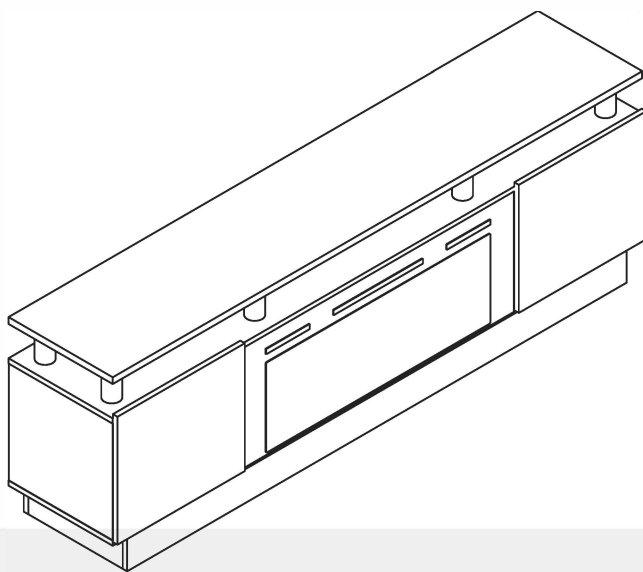


MANUAL INSTRUCTION

TV Stand



We offer a diverse range of products to meet the needs of customers.

Indoor Furniture

We are a professional furniture provider with top-notch factories and outstanding designs, Our mission is to provide consumers with new lifestyles. By collecting consumer feedback, we constantly improve our products and create more choices for consumers. If you want to create your space, We are an ideal choice.

Always.



WARNING

All the TV Stands have passed strict quality inspections before delivery .Read this manual carefully to ensure proper usage

Ensure that all parts and hardware are available before beginning assembly

NOTICE

1. Children are not allowed to operate.
2. Faster installation is possible with power tools.
3. Do not pull the door vigorously to prevent the storage cabinet from tipping over.
4. Please attach the storage cabinet to the wall with an anti-tip device after installation is complete.
5. When using the storage cabinet for the first time, please keep it in a ventilated environment to allow the smell to fully evaporate.
6. When placing the partitions, please make sure the nails are firmly installed to prevent the partitions from falling off.
7. If any parts are missing, broken, damaged or worn, discontinue use of the product until repairs are made and/or factory replacement parts are installed.
8. Do not use this product in a manner inconsistent with the manufacturer's instructions, as this may void the product warranty.
9. If accessories are missing, please contact customer service for communication in time, we provide 7x24 hours customer care.
10. Do not use any attachments or accessories other than the original factory attachments and accessories.
11. Do not alter this equipment. Any alteration will create a safety hazard.

WARNING

The product must be assembled by adult before use. Serious or fatal injury may occur from unexpected assembly or use.

1. During the assembly process, keep all parts away from babies or children.
2. Always securely fix this product to the wall. Make sure the wall area to be drilled is free from hidden electrical wires, water and gas pipes.
3. Use of tip-over restraints may only reduce, but not eliminate the risk of tip-over.
4. Unless specially designed to accommodate, do not set heavy objects on top of this product.
5. Place the heaviest items on the lowest shelf.
6. Never allow children to climb or bang on drawers, doors or shelves.

TOOLS REQUIRED



Phillips Screwdriver

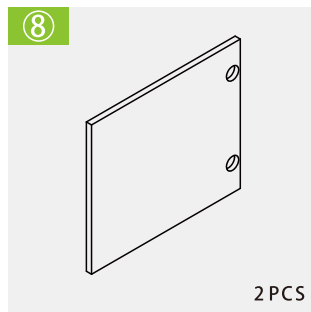
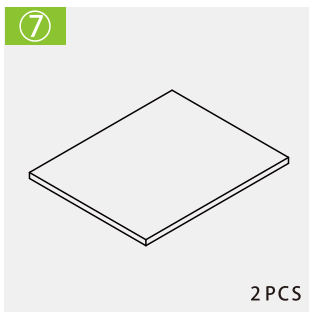
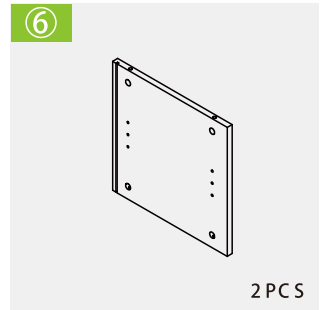
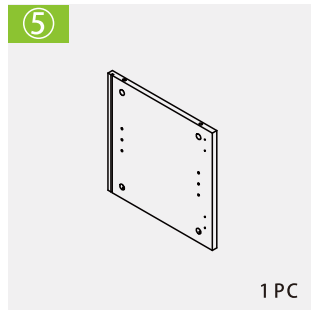
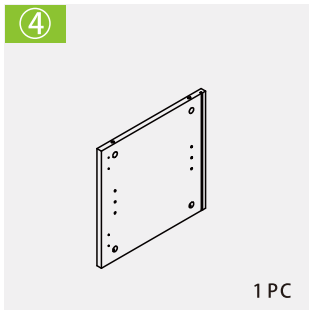
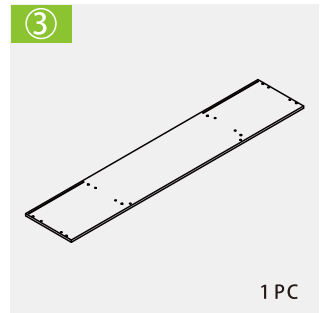
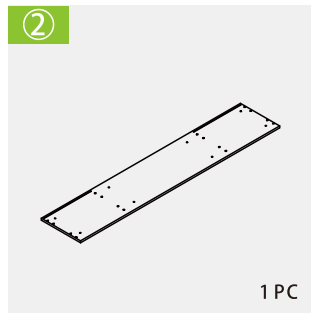
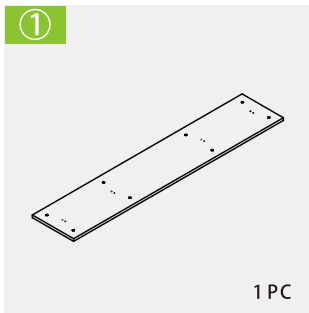


2 Persons Assembly

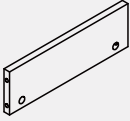


Up to 30 Minutes For Assembly

PARTS



10



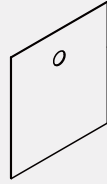
4 PCS

11



2 PCS

12



2 PCS

HARDWARE

A

Φ8 X 40mm



32 PCS

B

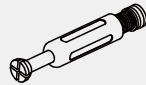
Φ12 X 12mm



32+2 PCS

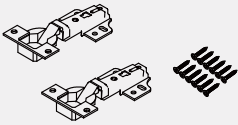
C

Φ6 X 40mm



32+2 PCS

D



2 PCS

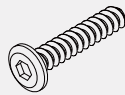
E



8 PCS

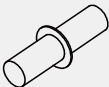
F

M6 X 25mm



8+1 PCS

G



8+1 PCS

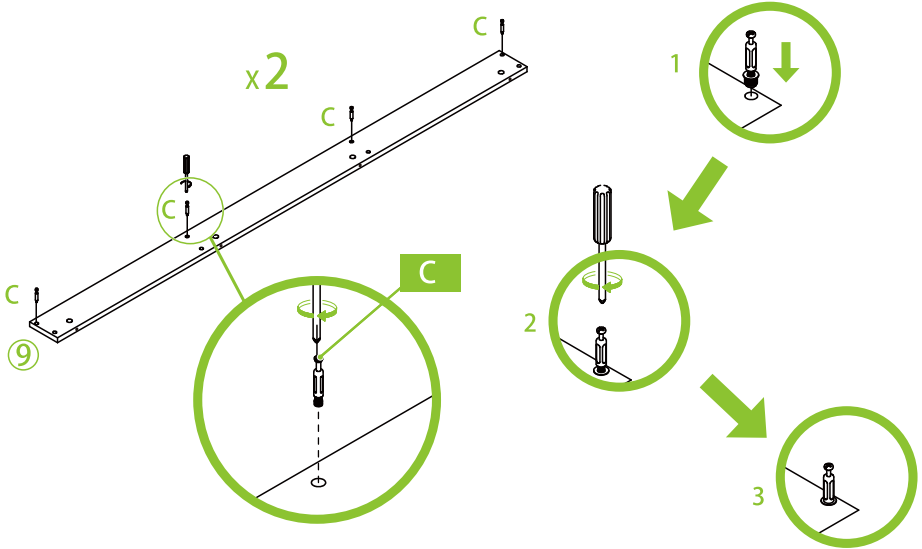
H



1 PC

PRODUCT ASSEMBLY

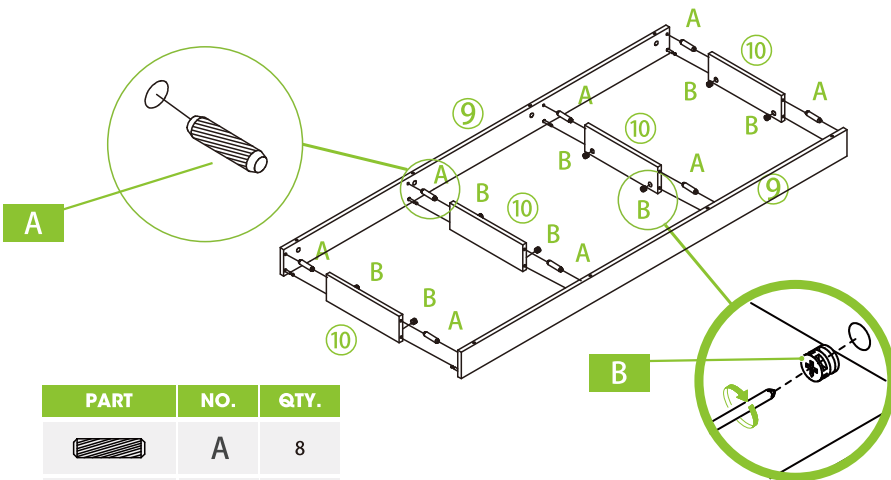
- 1** Secure 4 cam bolt "C" into two part ⑨ with Philips head screwdriver as per diagram.





PART	NO.	QTY.
	C	4

Note: If the white plastic is not pressed into the available tools can be gently knocked down.

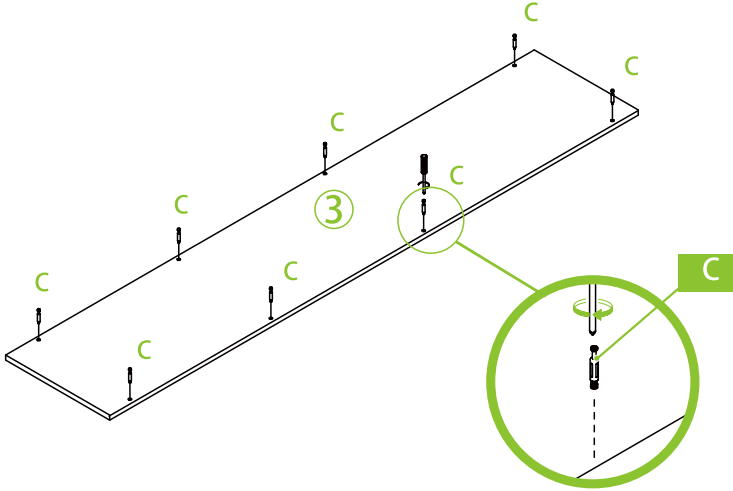
2



PART	NO.	QTY.
	A	8
	B	8

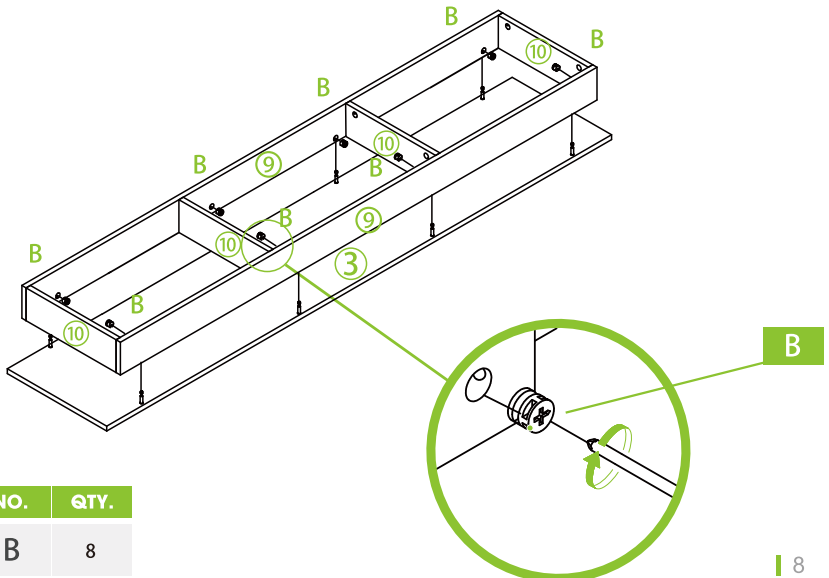
PRODUCT ASSEMBLY


3 Secure 8 cam bolt "C" into part 3 with Philips head screwdriver as per diagram.



PART	NO.	QTY.
	C	8

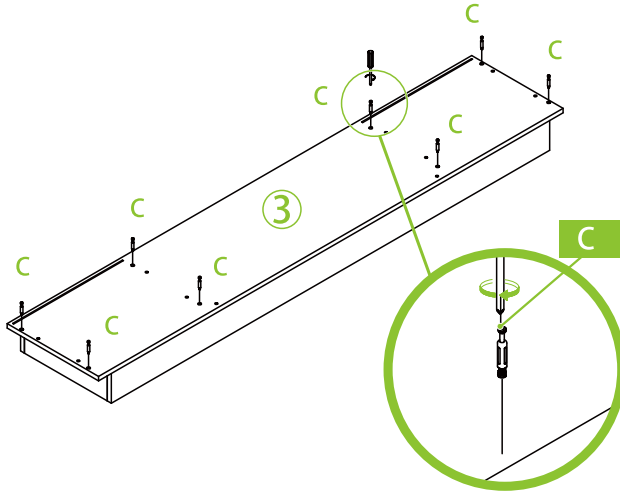
4 Use 8 cam lock "B" secure the installed part (9)(10) and turn the screws clockwise



PART	NO.	QTY.
	B	8

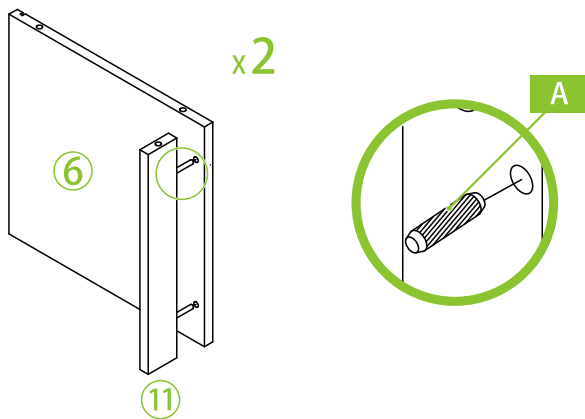
PRODUCT ASSEMBLY


5 Use 8 cam bolt "C" into part ③, and turn the screws clockwise.



PART	NO.	QTY.
	C	8

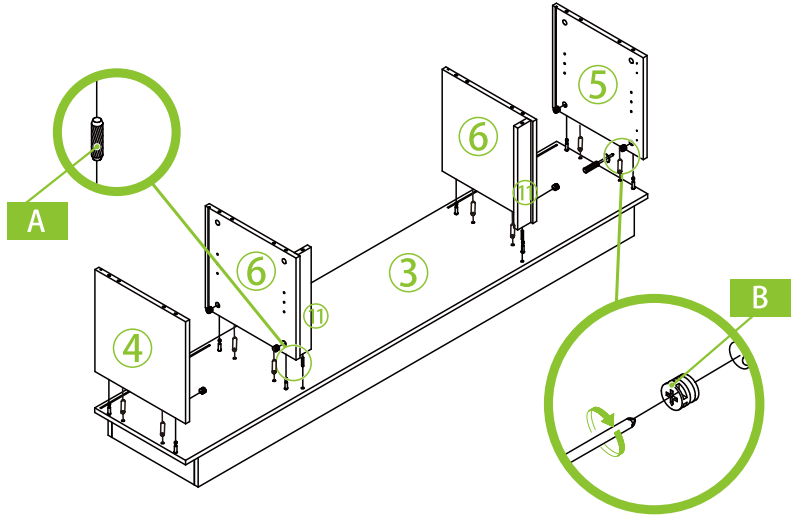
6 Use 2 wooden dowel "A" to connect part ⑥ and part ⑪





PART	NO.	QTY.
	A	2

PRODUCT ASSEMBLY

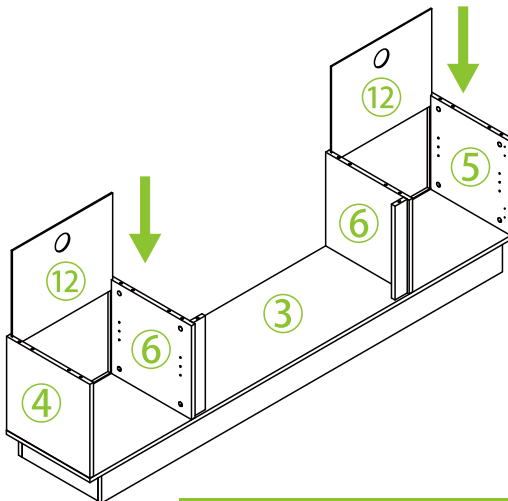
7 Install 10 wooden dowel "A" and 8 cam lock "B" on the corresponding holes of the part as per diagram.



PART	NO.	QTY.
	A	10
	B	8

Note: Please don't misplace parts 4 and 5.

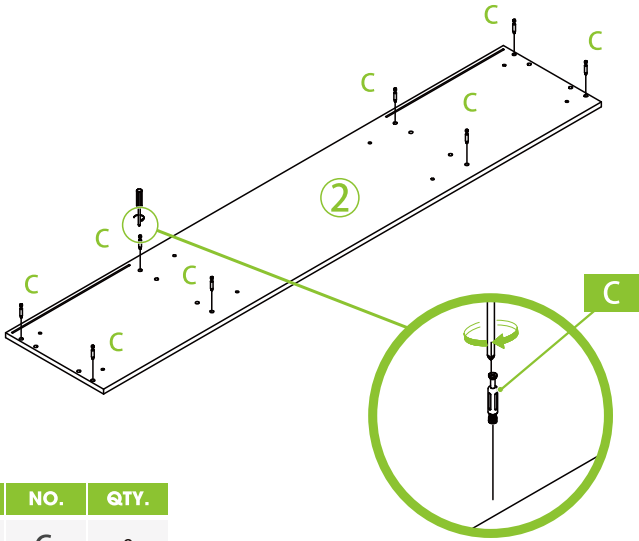
8 Push part ⑫ along the slot to the end.



Note: Round hole with one end facing up.

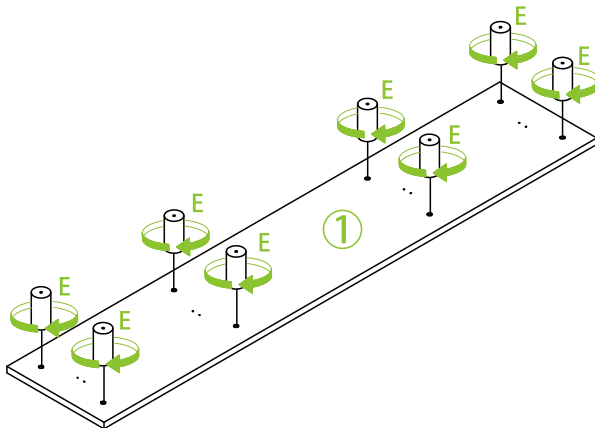
PRODUCT ASSEMBLY

9 Use 8 cam bolt "C" into part ②, and turn the screws clockwise



PART	NO.	QTY.
	C	8

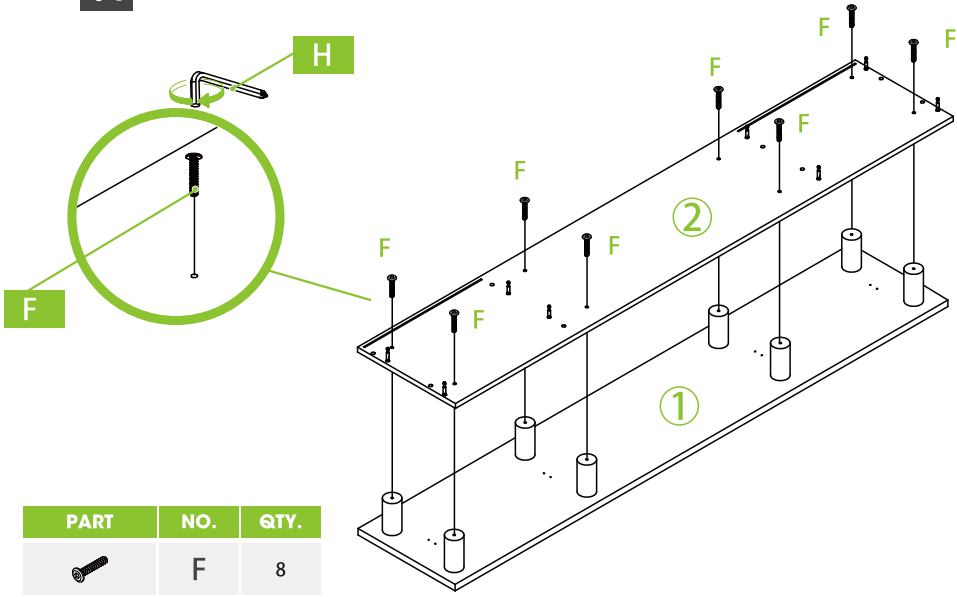
10 Use 8 Cylinder "E" into part ①, and turn clockwise.




PART	NO.	QTY.
	E	8

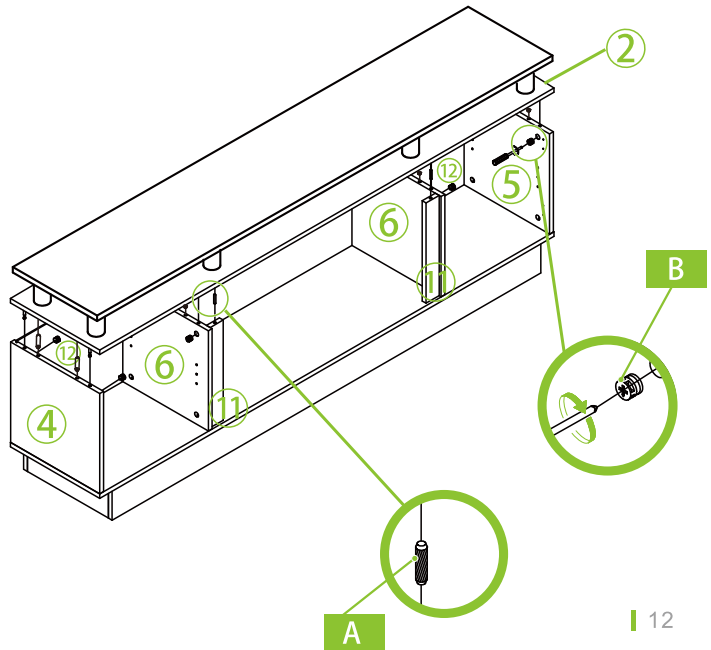
I PRODUCT ASSEMBLY


11 Install 8 Screws "F" on the corresponding holes of the part as per diagram.



PART	NO.	QTY.
	F	8

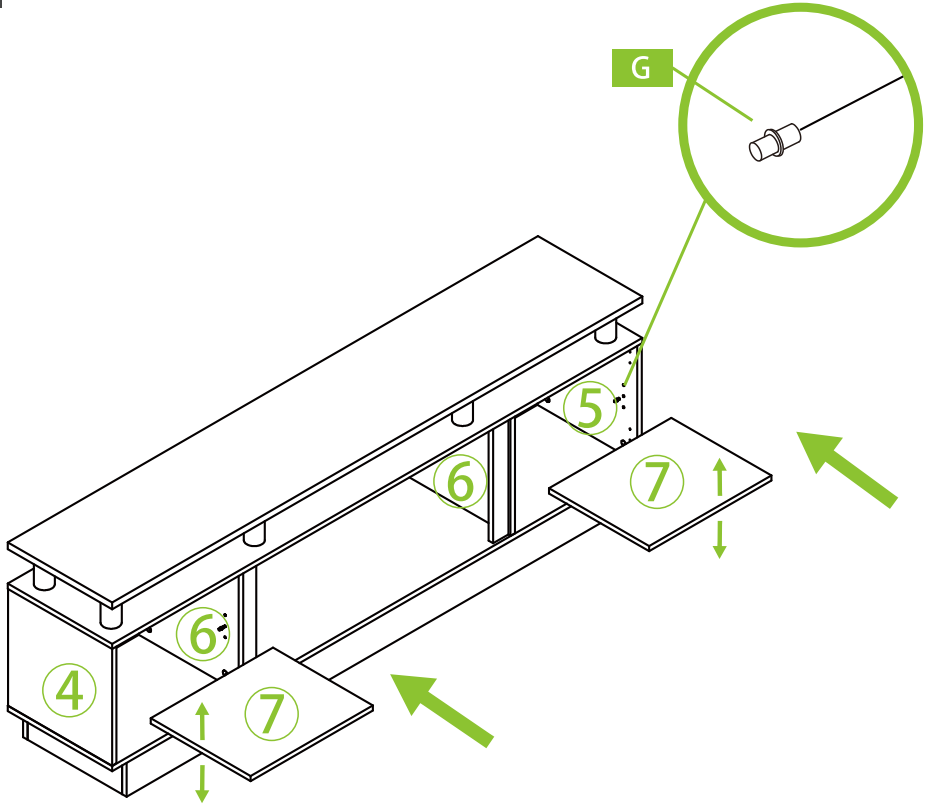
12 Use 10 wooden dowel "A" and 8 cam lock "B" to attach the part ②.



PART	NO.	QTY.
	A	10
	B	8

PRODUCT ASSEMBLY

13 Push two parts ⑦ in the cabinet.



PART	NO.	QTY.
	G	8

PRODUCT ASSEMBLY

14

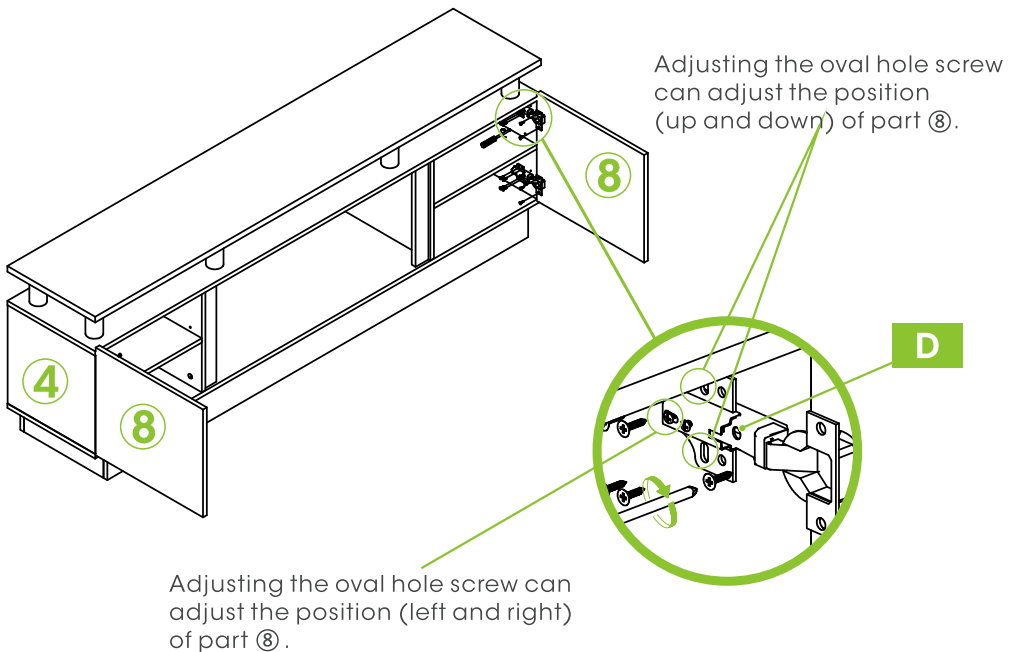
1. Install a pair of hinge "D" on part ⑤ first, and then install the part ⑧ on the part ⑤.

2. When installing part ⑧ to part ⑤, first install the 4 screws in the oval hole of hinge "D" (corresponding to the four small holes of part ⑤).


3. Close part ⑧ to see if the position of part ⑧ is suitable. If not, you can adjust the screws of oval hole of hinge "D".

4. After adjusting, lock the 4 round holes of hinge "D" with screws.

5. In the same way, install part ⑧ on part ④.



Note: When the position of part ⑧ is found to be inappropriate after installation (for example, one side of the door is too large, or part ⑧ is scratched with other parts, etc.), you can adjust the position of the cabinet door (up, down, left and right) by screwing.

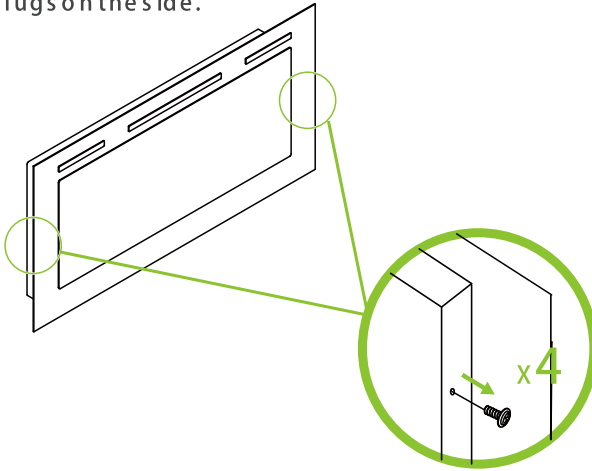
PART	NO.	QTY.
	D	2

PRODUCT ASSEMBLY

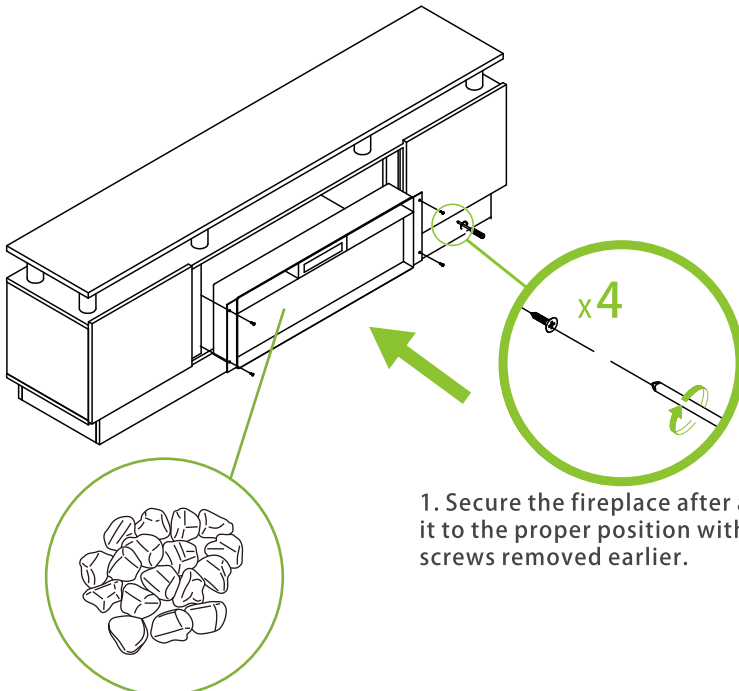
15 Remove four silver screws from the sides of the heater. Two screws on each side.

Remove two screws from the front of the heater.

Remove the tempered glass by lifting it from the lugs on the side.



16 Take the glass from the appliance first, then gently put the appliance to the TV stand by two persons.

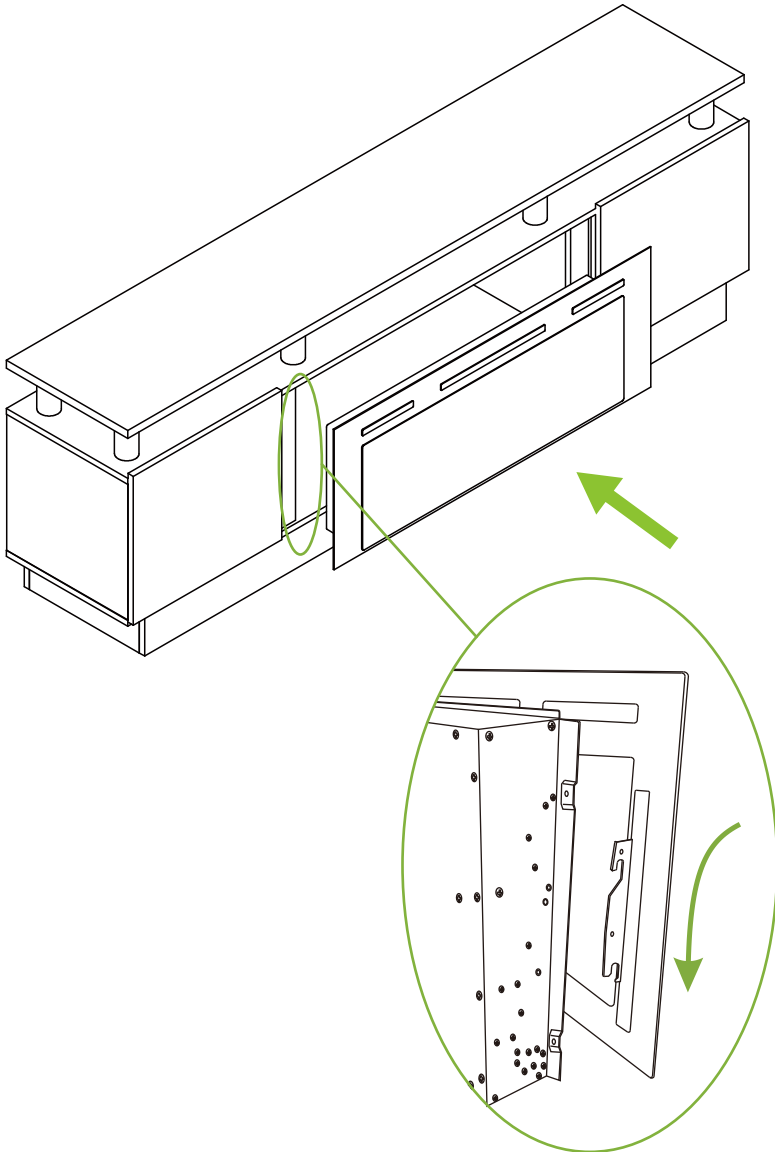


1. Secure the fireplace after adjusting it to the proper position with the 4 screws removed earlier.

2. Place the crystal stones in the groove of the fireplace.

PRODUCT ASSEMBLY

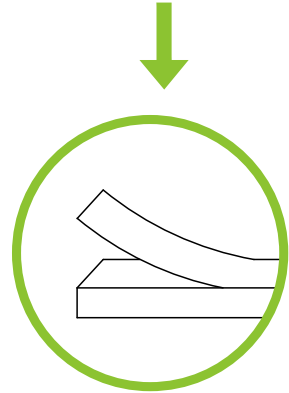
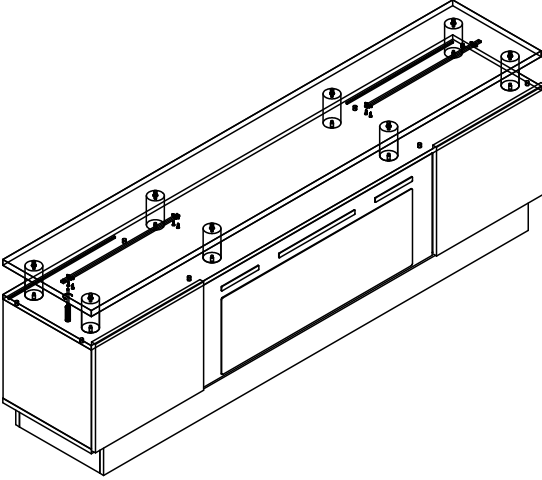
- 17** Place the front glass surround over the front of the fire aligning the slot in the bracket at each side of the glass panel with the lugs on the sides of the fire.



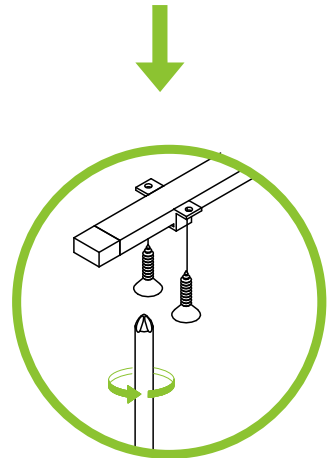
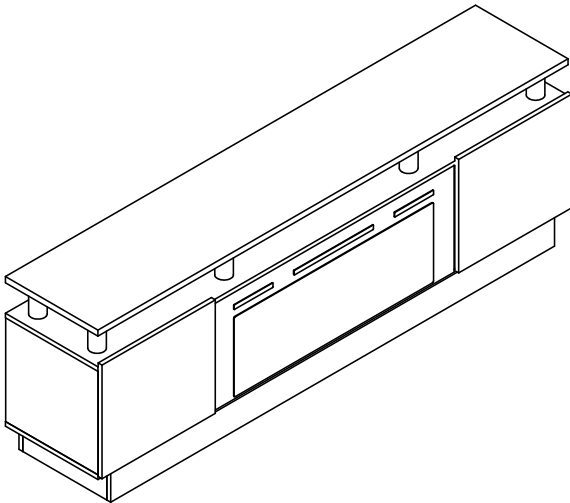
Put the fireplace panel back on.

PRODUCT ASSEMBLY

- 18** 1. Put the light strip wire through the hole (one long wire and one short wire).
2. Put the long one on the side farther from the fireplace wire, the short one on the side closer to the fireplace wire.



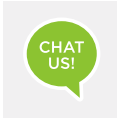
Tear off the double-sided tape of the light strip and stick it on the board.



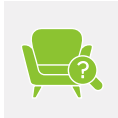
Hold the light strip with the clip and lock the screw.

HELP CENTER

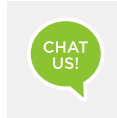
Question about your product? We're here to help. Visit us at:



Chat Support



Product Inquiry



Orders FAQ



Product Assembly

We Stand Behind the Quality of Their Furniture

If you have any issues with your item please let us know! We will always do our best to come up with a solution that you will be happy with.

Please get in touch with our customer service team before returning the product.

And pls do not throw the original box(es) if you have not finished assembling or confirmed no quality issues.

Length of return period:

Items can be returned within 30 days of purchase.

In the meanwhile, everything you purchased from us comes with a one-year warranty.

Who is responsible for the return shipping fee:

We will cover the return shipping fees if:

1. Your item has a manufacturing defect in its materials or workmanship. For example, torn wicker or misaligned screw holes. We will send you a prepaid shipping label after photos are sent.
2. Your item has been damaged in transit. For example, glass is broken or wicker is damaged. We will send you a prepaid shipping label after photos are sent.
3. You receive the wrong box(es) due to a warehouse error. We will send you a prepaid shipping label after photos are sent of the wrong SKU numbers on the outer box(es).
4. One or more boxes are lost in transit. We will send you a prepaid shipping label if you no longer want the item.

*However, we still hope to work with you for a better solution instead of a return. Please don't hesitate to contact our customer service team.