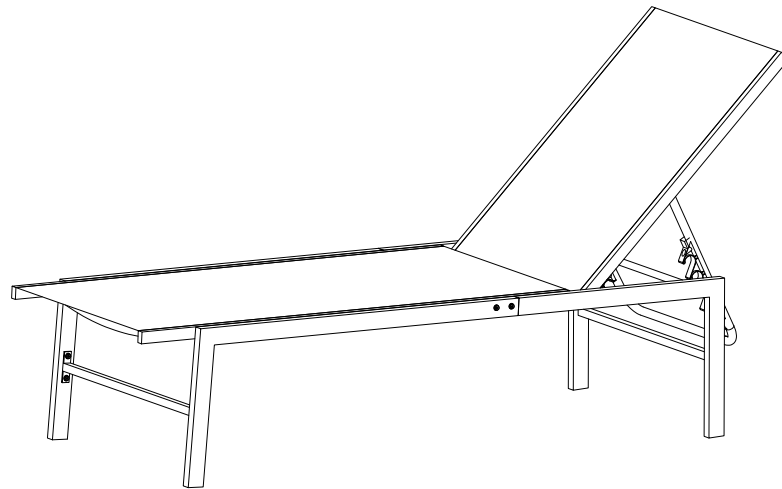
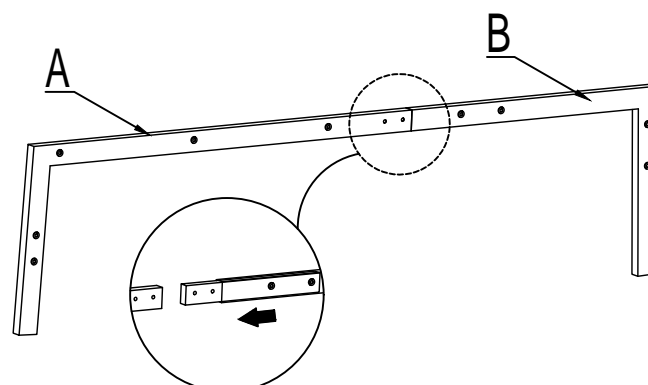


Tips: Don't tighten every screw until you get them all started in any one area.
 Teslin Lounge Chair



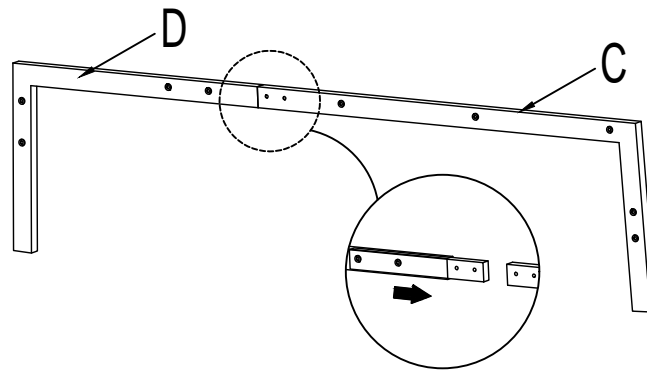
Item no.	Reference Image	Description	Qty.	Item no.	Reference Image	Description	Qty.
A		Right front leg	1	J	M6*15	Socket head cap Screw	8
B		Right hind foot	1	K	M6*25	Socket head cap Screw	10
C		Left hind foot	1	L	M6*45	Socket head cap Screw	4
D		Left front leg	1	M		Flat washer	26
E		Front support	1	N		M6 Nut	4
F		Rear support	1	X		4-mm Allen key	1
G		seat board	1	Y		Wrench	1
H		Backplane	1				

Step 1:

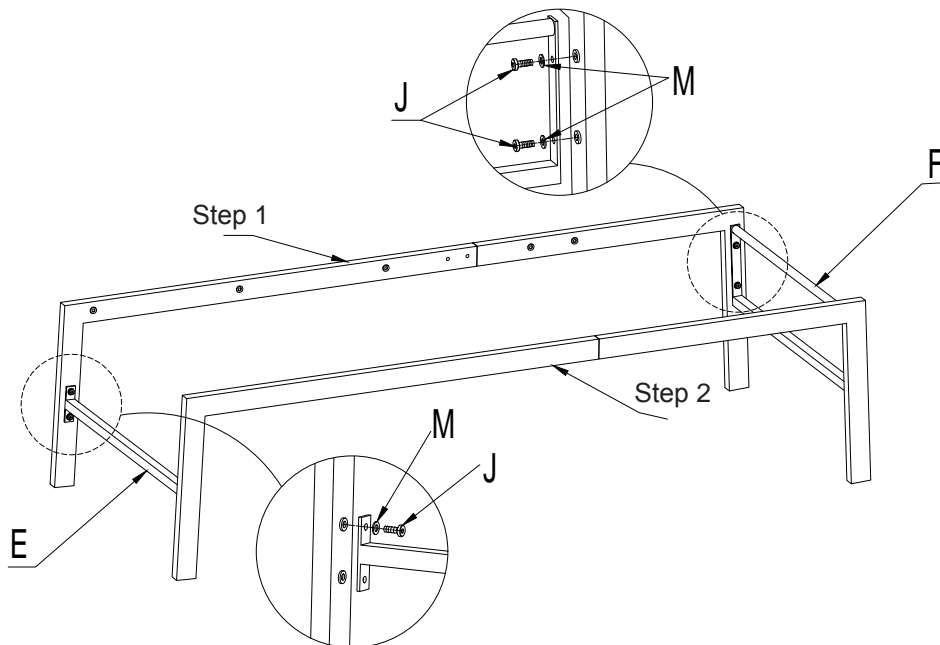


Tips: Don't tighten every screw until you get them all started in any one area.
Teslin Lounge Chair

Step 2:



Step 3:



Step 4:

