

Acrylic Bathtub Installation Instructions

Installation Notes:

Professional installation by a licensed plumber required. Adhere to all local building and plumbing codes. Measure the actual tub prior to any construction or installation to ensure accuracy for rough-in. Be sure that the floor is structurally sound and able to support the full weight of a tub with water and an occupant. Subfloor must be correctly leveled. Support the bottom of the tub only by the feet or base of the tub. Do not use the rim as a supporting area. Ensure that the tub is perfectly levelled for proper draining. The base area should be set in enough mortar to support the bottom of the tub. Access should be given to all plumbing connections. Verify that the bottom of the apron is at the same height as the floor covering. 100%Silicone sealant is recommended.

Prior to commencing installation:

Check bathtub for correct model and size. Carefully inspect the tub for any damage (i.e., chips, scratches, cracks). If at any point during the pre-installation inspection and water test, you discover a problem with the bathtub or piping system, DO NOT INSTALL the unit and contact us immediately.

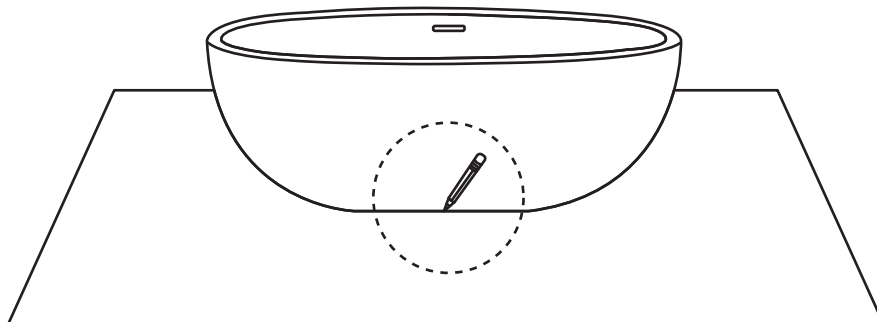
All pre installed parts must be checked and retightened before installation.

Post-Installation:

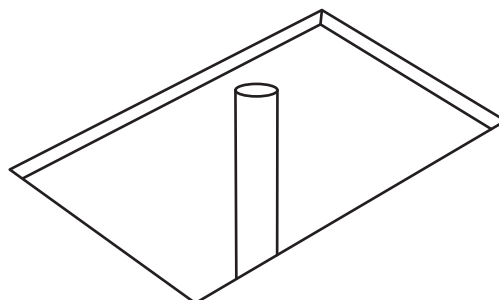
To clean without scratching use a moist soft cloth and a mild liquid detergent, Do not use abrasive cleaners, scraping tools, or any item that could damage or dull the acrylic surface.

Preparation:

1. Clean, level, and prepare the floor for installation.
2. Place the unit in the exact installed position on the floor and trace the outline of the bath with a pencil or any erasable marking.



3. Determine the location of the drain pipe, on the floor by taking measurements of the drain and waste location underneath the unit.

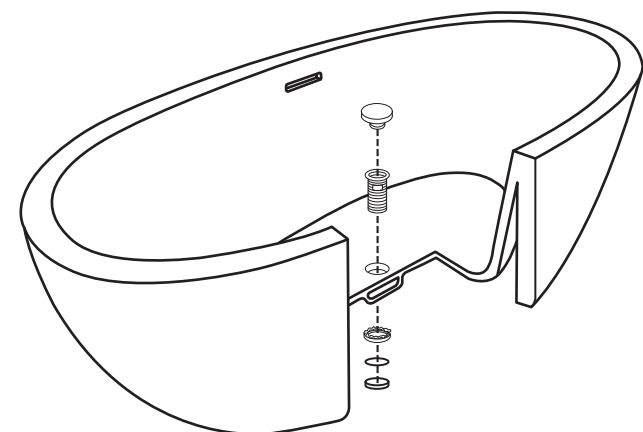
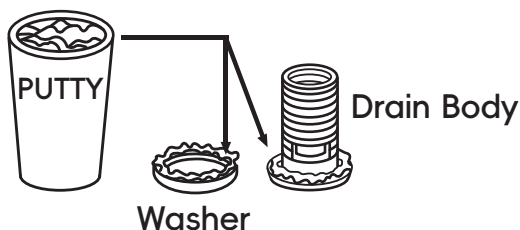


Note: Drain, waste locations, and trim options vary by model.

4. Using a blanket, cardboard, or other clean protective surface, turn the unit on its side so that the unit is properly supported during drain installation.
 5. Clean the drain hole area in preparation of setting the drain. The area should be dry and free of any debris.
-

Install drain hardware:

6. Apply a bead of clear silicone or plumbersputty around the Drain Body and pass it through the drain hole. Apply plumbers putty to the Washer and slide it over the bottom of the Drain Body.

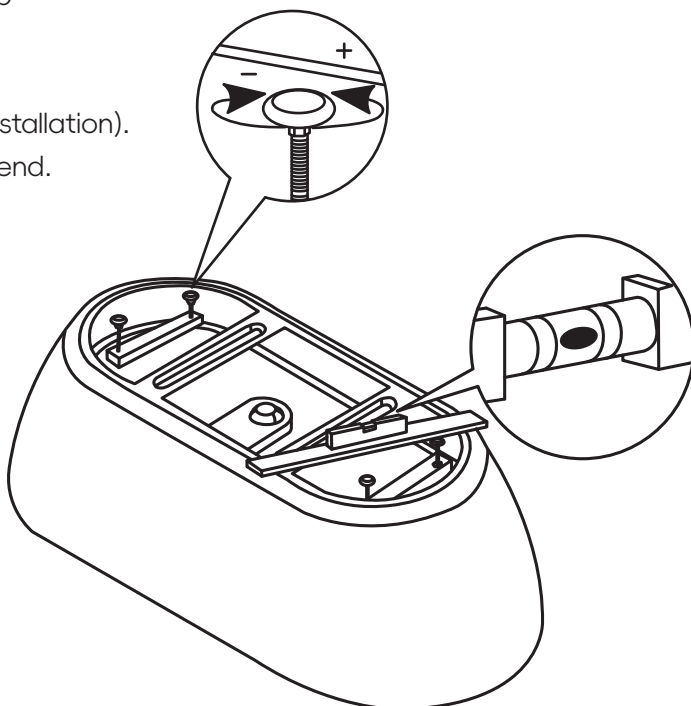


7. Slide the paper washer over the drain body.
8. Attach the Drain Body Nut on the Drain Body and tighten until the Nut and Washer have created a seal with the bottom of the bathtub. DO NOT OVERTIGHTEN.

Prepare tailpiece

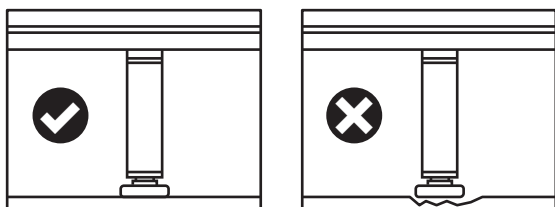
All parts involved in tail piece installation are provided by the installer.

9. Drain waste vent must always be installed according to local standard. Verify the placement of the bathtub before drilling the hole for the drain waste vent.
 10. Install 1 1/2" tail piece over the drain waste vent.
 11. Cut tail piece to desired length (will vary for each installation).
 12. Slide tail piece nut over tail piece towards flanged end.
 13. Connect tail piece assembly to waste vent.
 14. Place flange washer on top of tail piece.
-

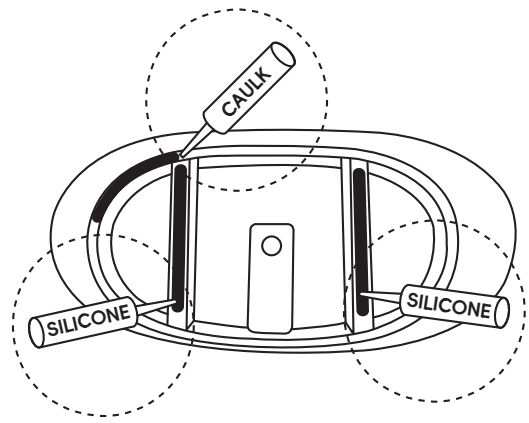


Install bathtub:

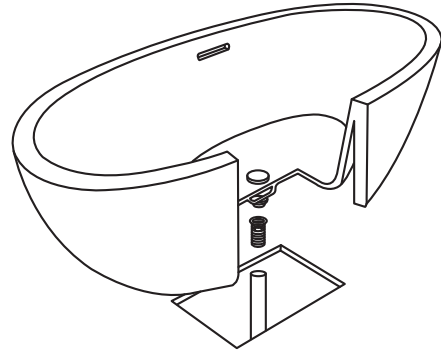
15. Level the bathtub by adjusting its feet.



16. Apply a generous bead of adhesive or silicone to the bottom of the tub supports.
17. Then apply a bead of tub and tile caulk around the edge of the base.

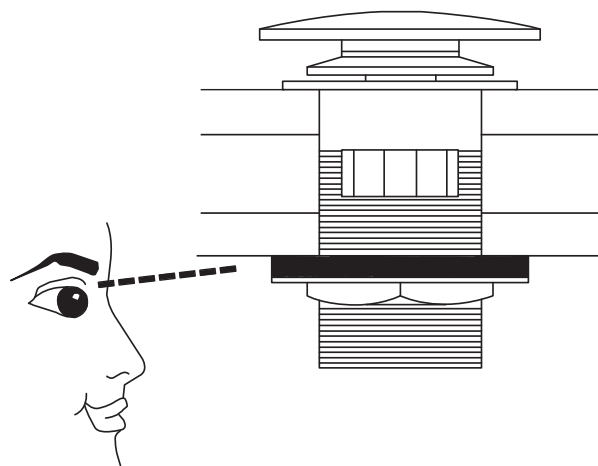


18. Carefully set tub into position and connect the drain hardware (previously installed). Finish the installation of the tail piece installation.

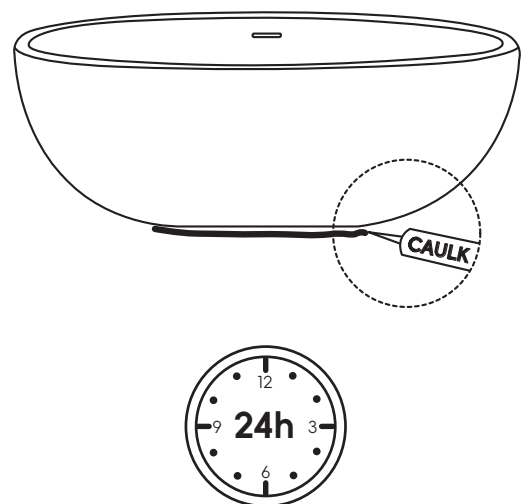


Complete bathtub installation:

19. Fill the tub with water to the overflow and then drain the tub while inspecting the waste connections below the floor for leaks. Access from below will be necessary for this step.
20. With the bathtub now in place, wipe off any excess tub and tile caulk and adhesive where the tub meets the floor.



21. Run a bead of tub and tile caulk around the bottom edge of the bathtub where it meets the floor. Wipe off any excess caulk with a wet cloth.



Customer Service: contactus56service@gmail.com

Phone (8:30 am-5:30 pm UTC+8): [+1 515 333 0140](tel:+15153330140) [+1 917 295 9397](tel:+19172959397)