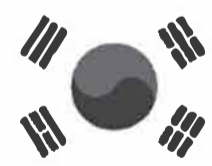


The Best Organizing Solution

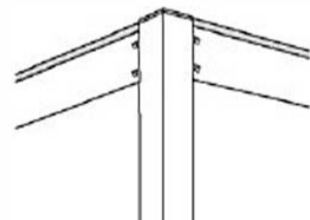
Decorate your home storage, Create your own story



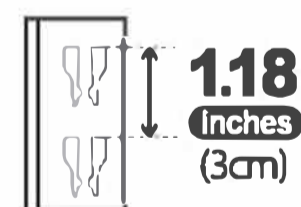
National
Certified Brand
(K-shelving)



Boltless Design
Easy Assembly



Hidden
Secret Hole



Adjustable
Height



including
Special Gift

www.kshelving.com

www.kshelving.com

COMPONENTS

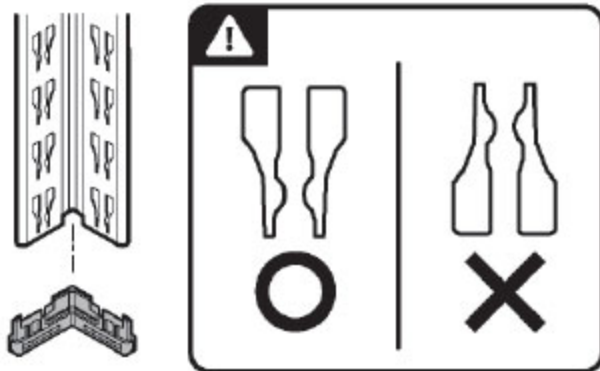
A  Post 8ea	B  Short Support Beam 10ea	C  Long Support Beam 10ea	D  Board 5ea	E  Post Coupler 4ea	F  Post Cap 16ea
G  Wall Fixing Bracket 2ea	H  Screw 2ea	I  C-Hook 2ea	J  Urethane Mallet 1ea	Free Gifts	
K  LiftBeam Quantity will vary per model					

* Please note that some component designs may change without advance notice to improve performance.

PRE-ASSEMBLY TIPS

POST & COUPLER

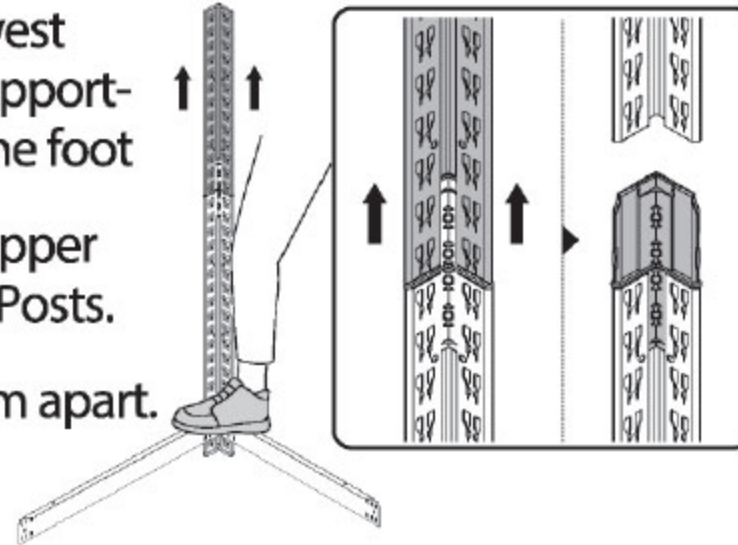
Connecting Direction



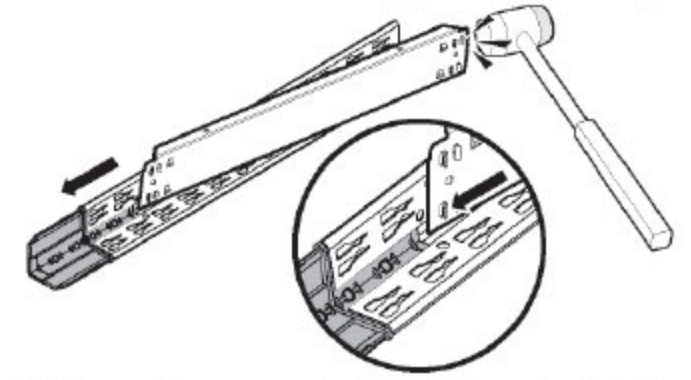
The shape of the Post hole should look like this **qp**

Disassembling the Post

- (1) Fix the lowest bottom Support-Beam by the foot
- (2) Hold the upper and lower Posts.
- (3) Shake them apart.

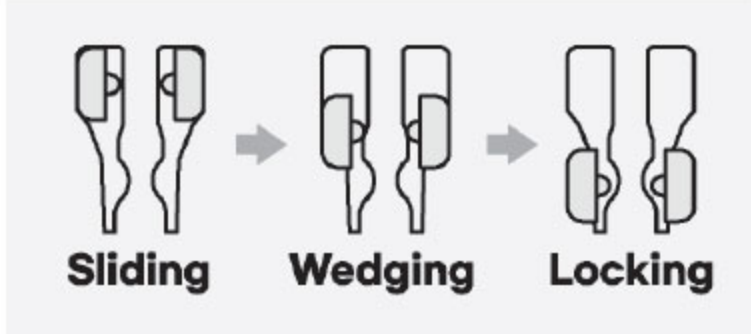


Disassembling the Coupler

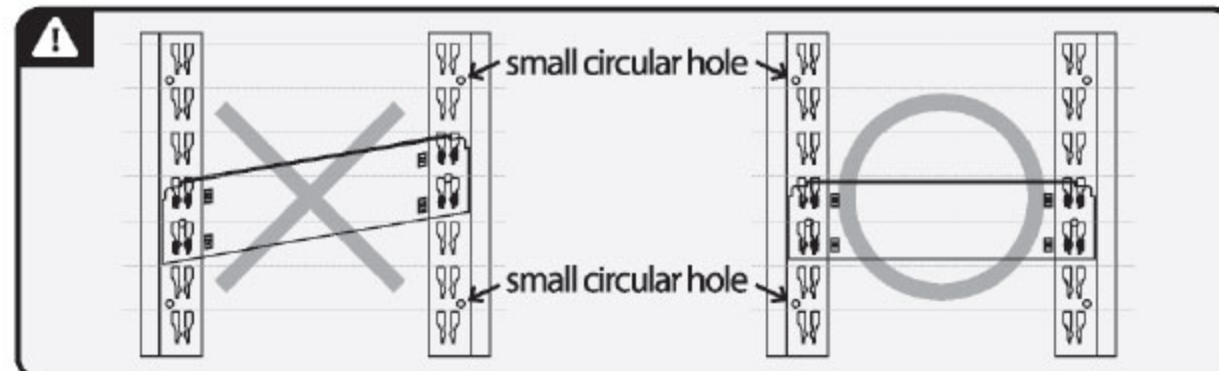


With a Support Beam and Mallet, gently hit the connected Post Coupler to separate it.

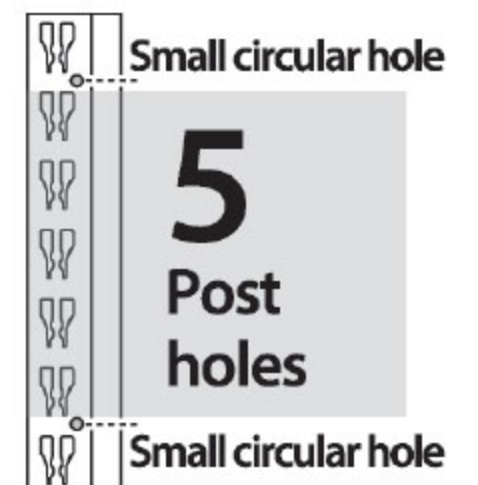
SUPPORT BEAM



Please make sure the protrusions on the Support Beams are fully locked into the Post holes.



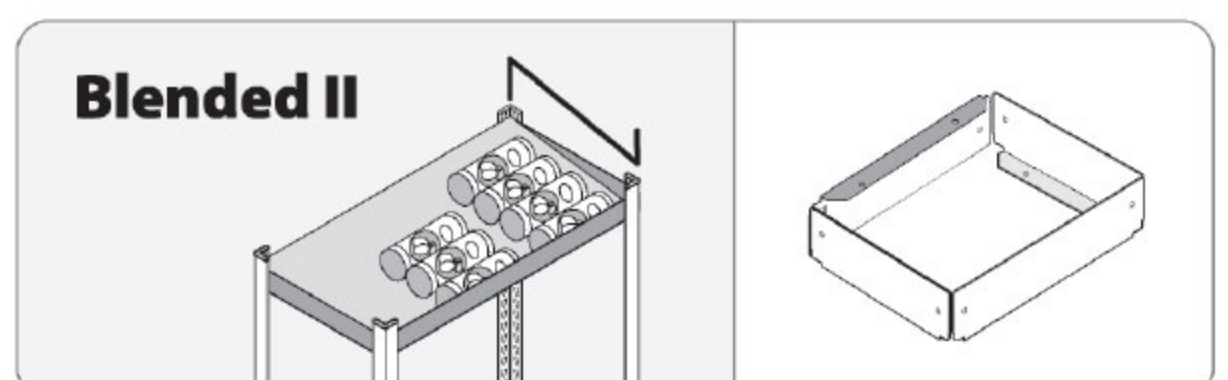
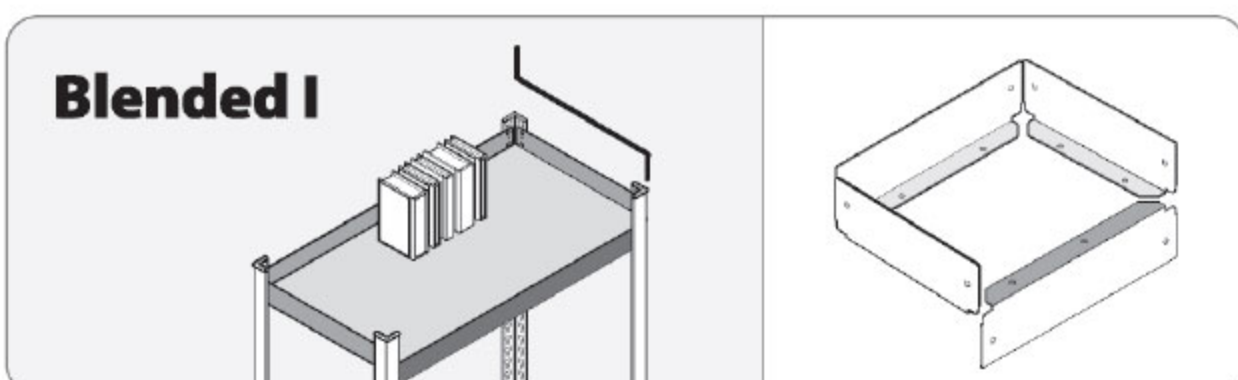
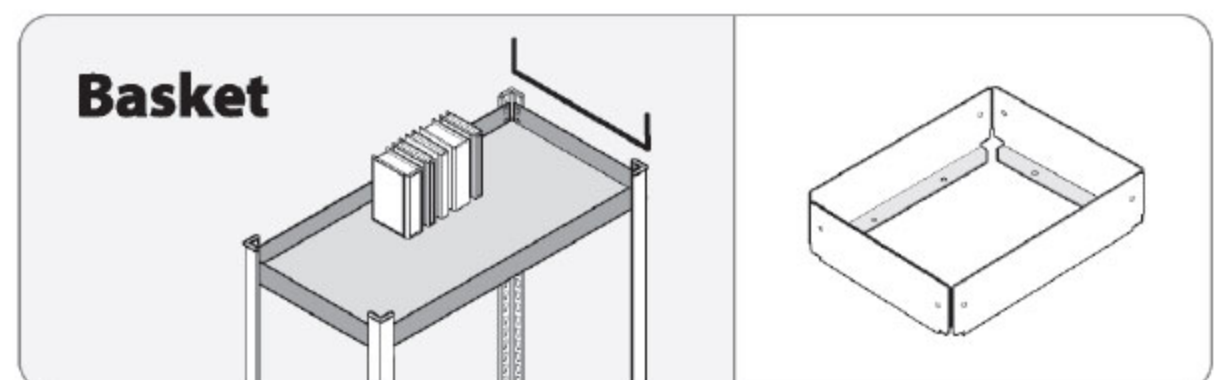
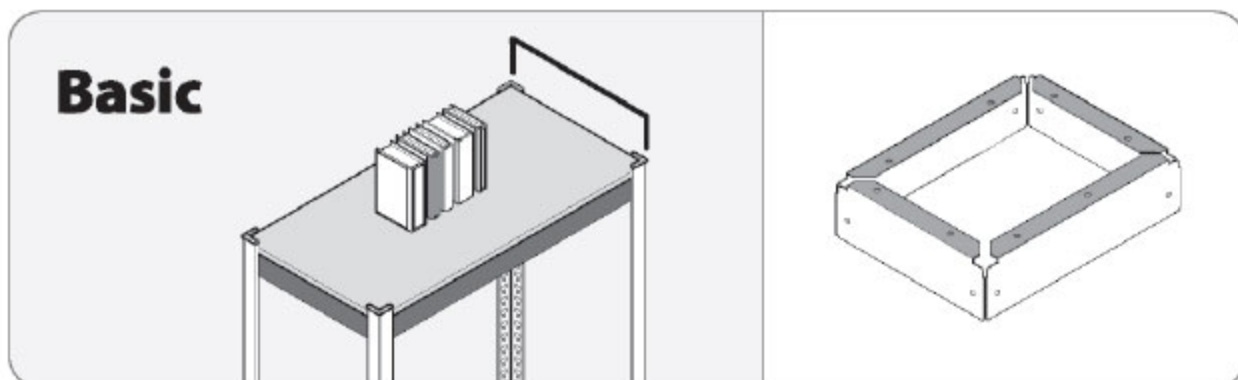
For safety, make sure the Support Beams are **assembled into the holes at the same height on both posts**. (The small circular hole that appears every five post holes can be used as a height reference.)



Small circular hole
5
Post holes
Small circular hole

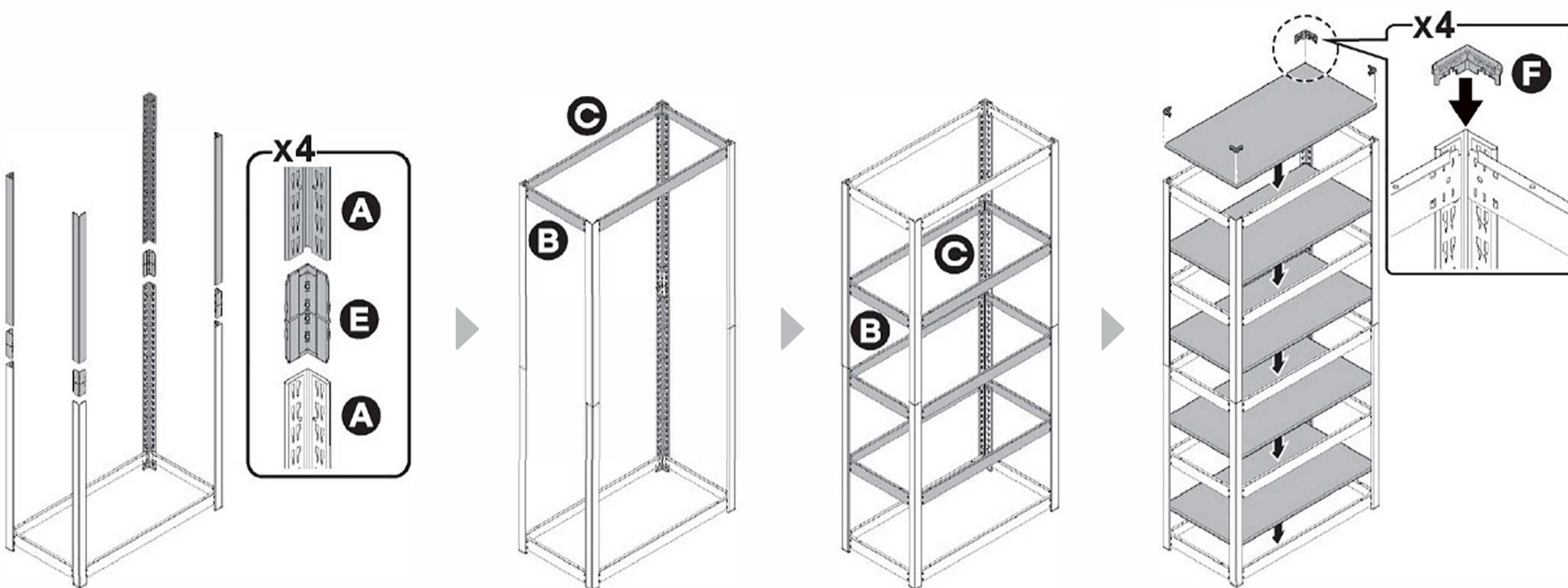
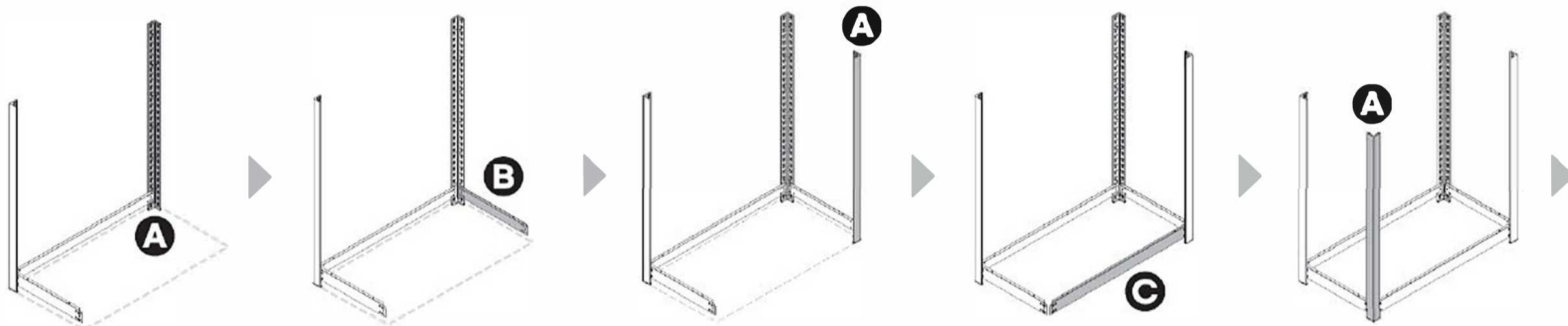
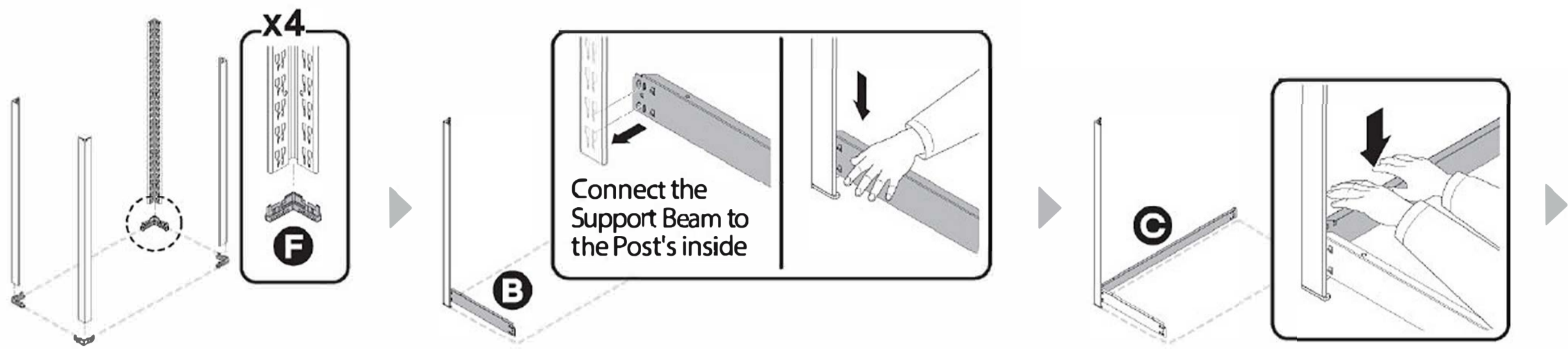
Various Ways to Assemble the SUPPORT BEAM

You can assemble it in various ways depending on how you connect the Support Beams.



* You can assemble only the **Basic** style when using a LiftBeams

ASSEMBLING 5-TIER SHELF

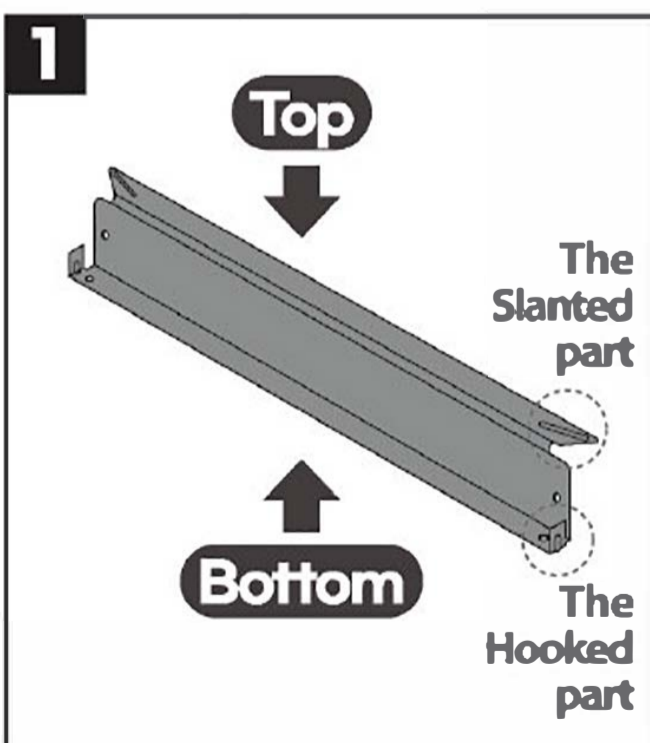


*If the product you purchased contains the LiftBeam, please refer to the LiftBeam assembly instructions when assembling the shelf.

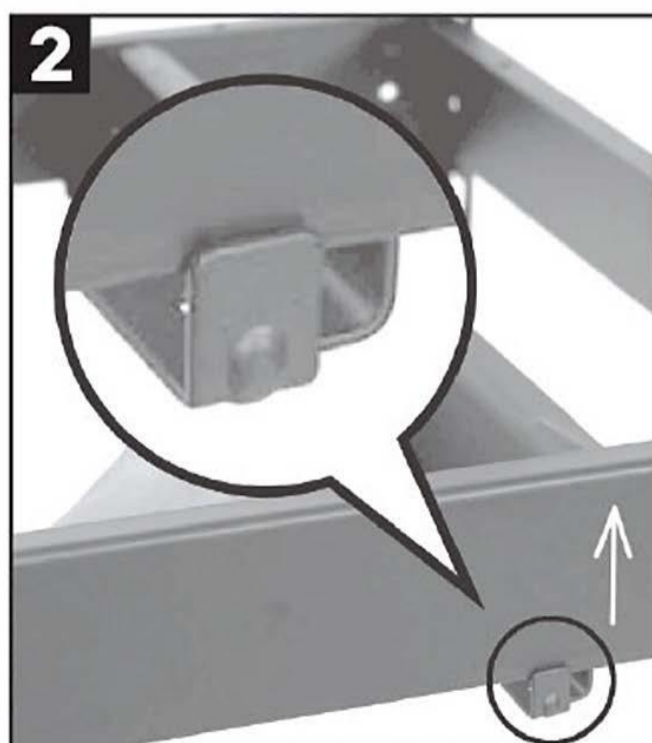
ASSEMBLING LiftBeam

* You can assemble as many LiftBeams as you want per tier.

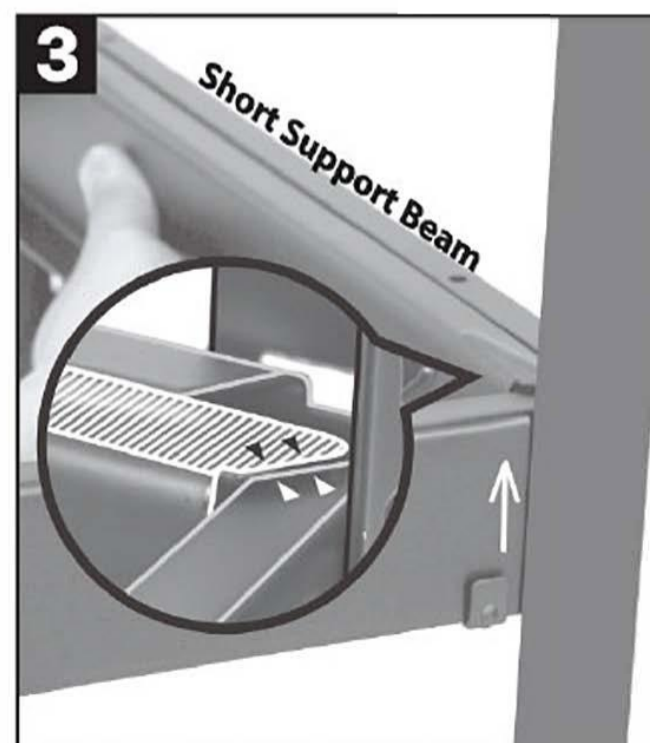
* You can assemble only the Basic style (in the Support Beam assembly method) when using a LiftBeams.



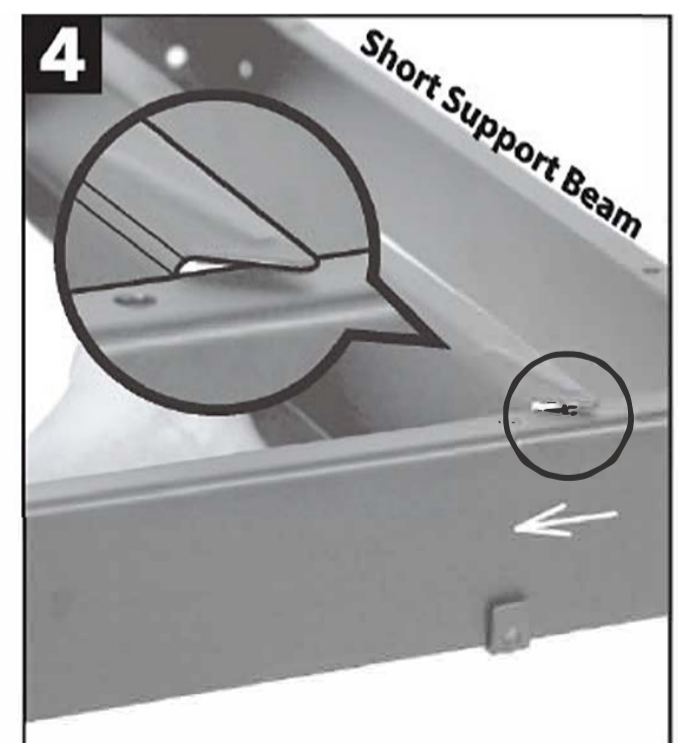
Before assemble, please check the top and bottom of LiftBeam to not getting confused.



Put up and combine it from the bottom to the top so that the Hooked part of LiftBeam protrudes outward.



Let faced the Slanted direction of both the LiftBeam and Long Support-Beam each other.

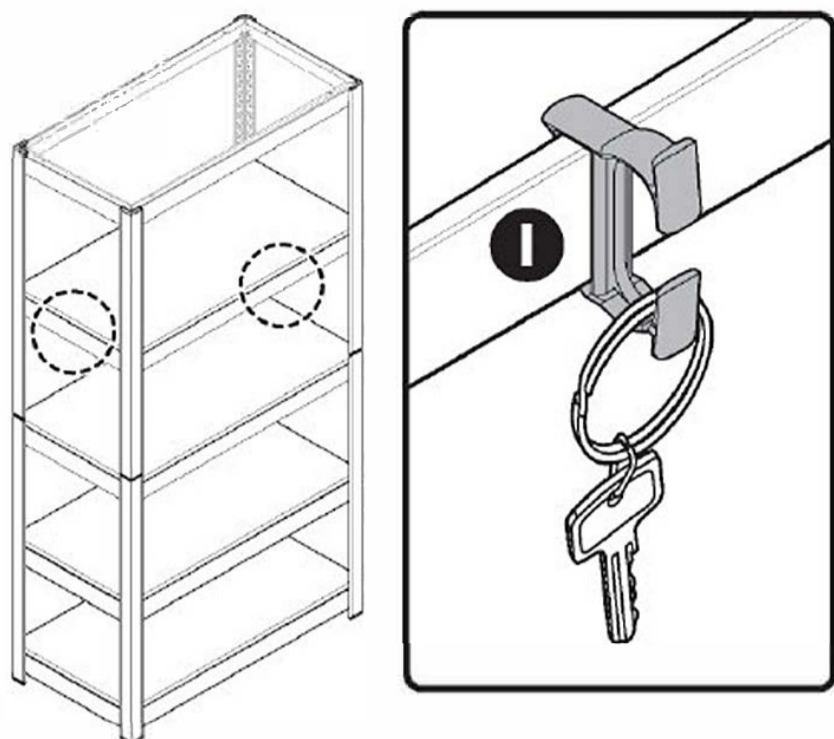


- Put the Slanted part of LiftBeam on top of Long Support Beam.
- Move the combined LiftBeam to where need to be load distribution.

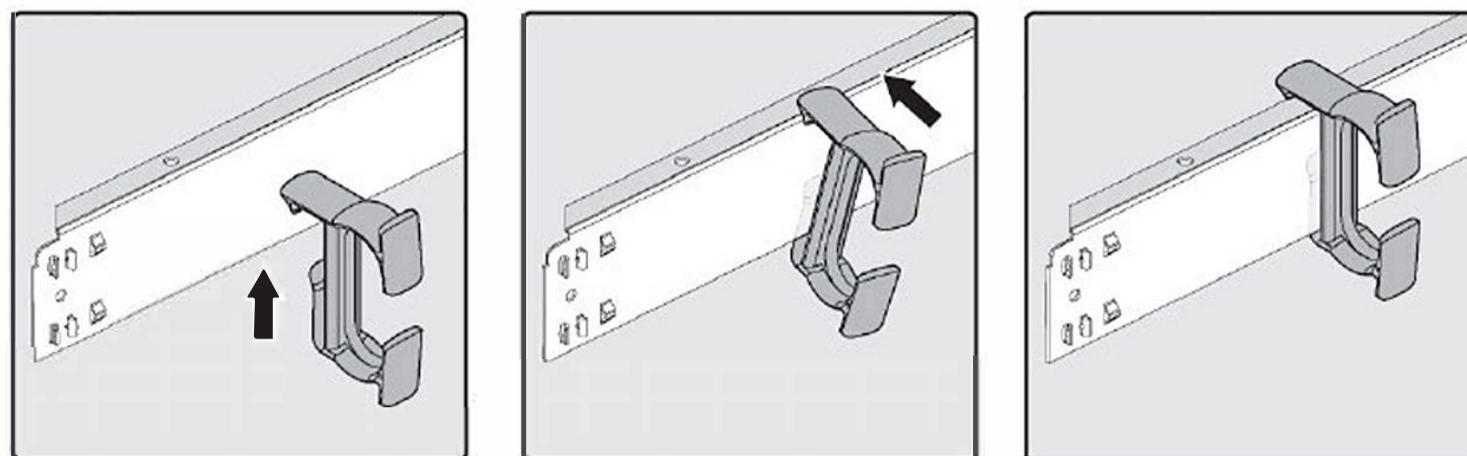
ACCESSORIES

Tip Reversible C-Hook (Special Gift)

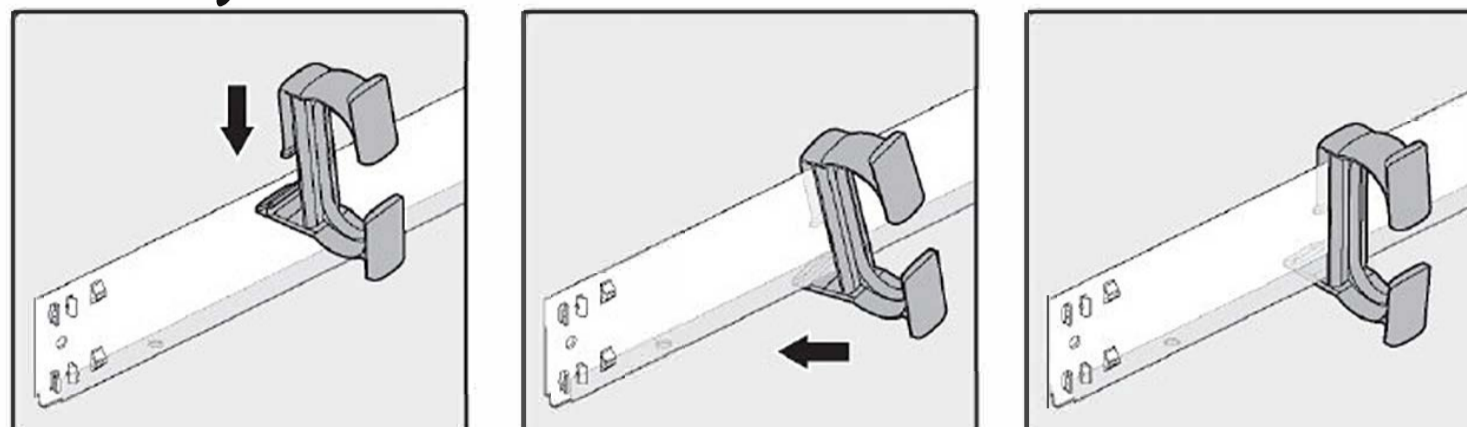
Utilize it in various ways to organize more efficiently.



Basic Style * Check the "SUPPORT BEAM" tips on the inside page for details.

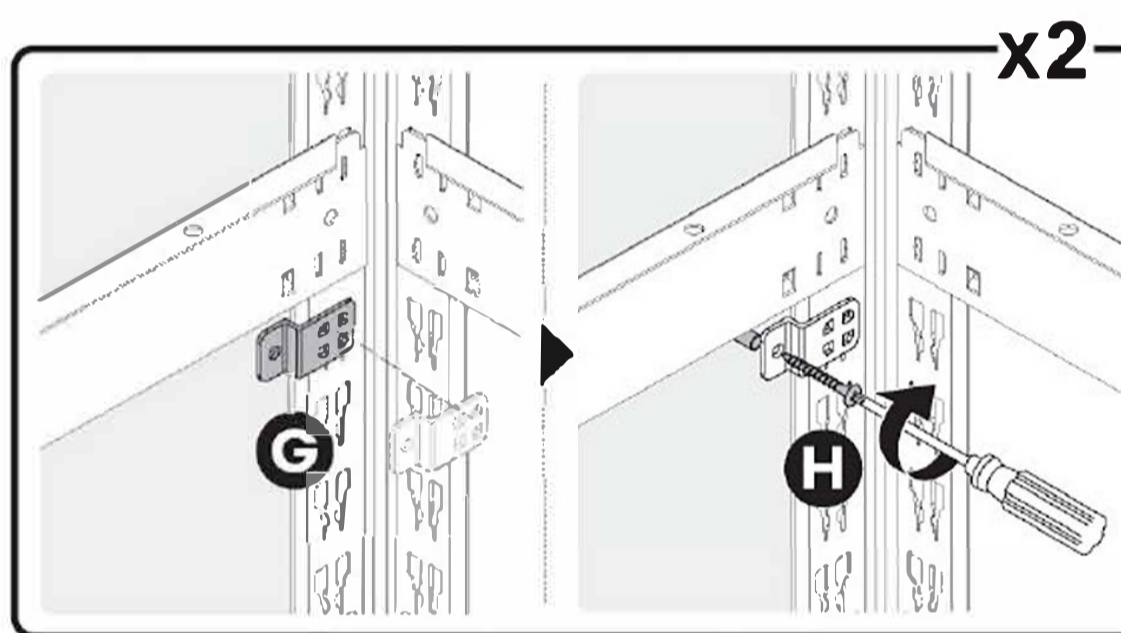
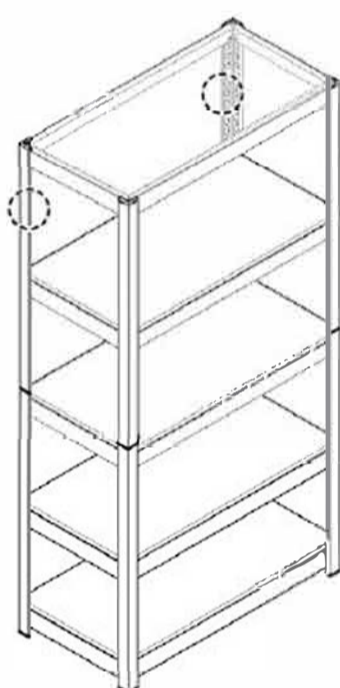


Basket Style



Tip Wall Fixing Bracket

Make sure to install wall fixing brackets on the wall to prevent the product from falling forward.



SAFETY PRECAUTIONS

ASSEMBLY

- After opening the package, please check whether there are no problems with the components.
- Assemble and use the product on a flat surface and in a safe place.
- When using an iron hammer, lay down a cotton towel to prevent damage to the product.

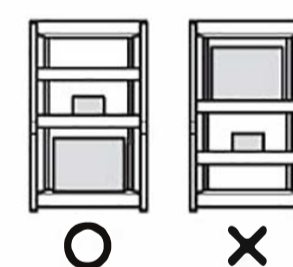
USE

- Check whether the product has been well assembled before use.
- Do not climb or hang on the product.
- Be careful of the protrusion or edges that may cause injury.
- It is possible to turn into diverse modules Nevertheless please refrain from any unstable structural changes.(Unbalanced assembly, removing parts arbitrarily, etc.)
- Do not load the product be vibrated.
- If there are dirty substances or liquids on it, wipe it with a dry towel and dry it completely.

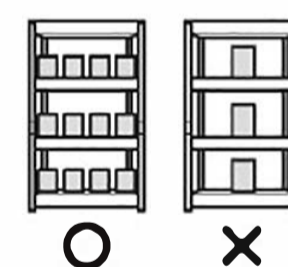
STORAGE

- Do not install the product in places with high temperatures, or near chemicals, fire sources.
- Keep the product in a dry and well-ventilated place.
- Please be careful that if the product is left in a humid place for a long time, it may bend.

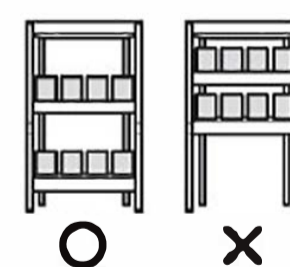
RECOMMENDATIONS



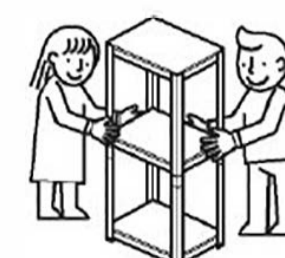
For safety, avoid placing heavy items on the upper part of the shelf.



Don't Place it so that the weight is concentrated on one spot.



We do not recommend setting the bottom board too high as that might disrupt the stability of the product



Need 2 people to move it



When assembling, protect the ground and use gloves