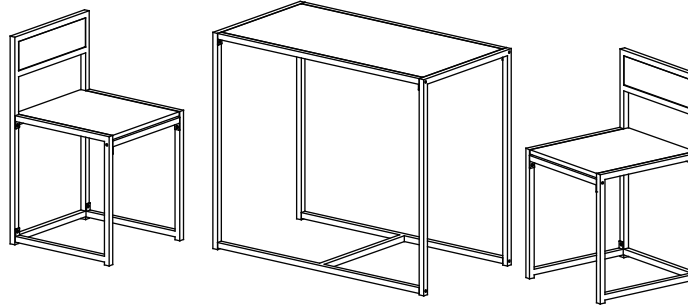







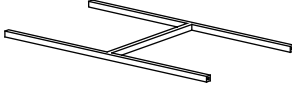
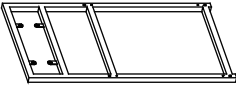
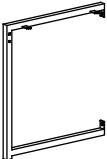
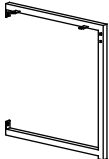

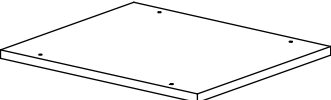
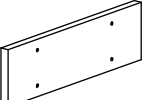


Assembly Instructions



When unpacking, please be careful not to discard any parts with the packaging. Be sure to check all packing material carefully for small parts which may have come loose inside the carton during shipment. Please separate, identify, and count all parts and metal hardware. Compare with part list to be sure all parts are present. If hardware is missing or you have difficulty in assembling this product, please contact us at your earliest convenience.

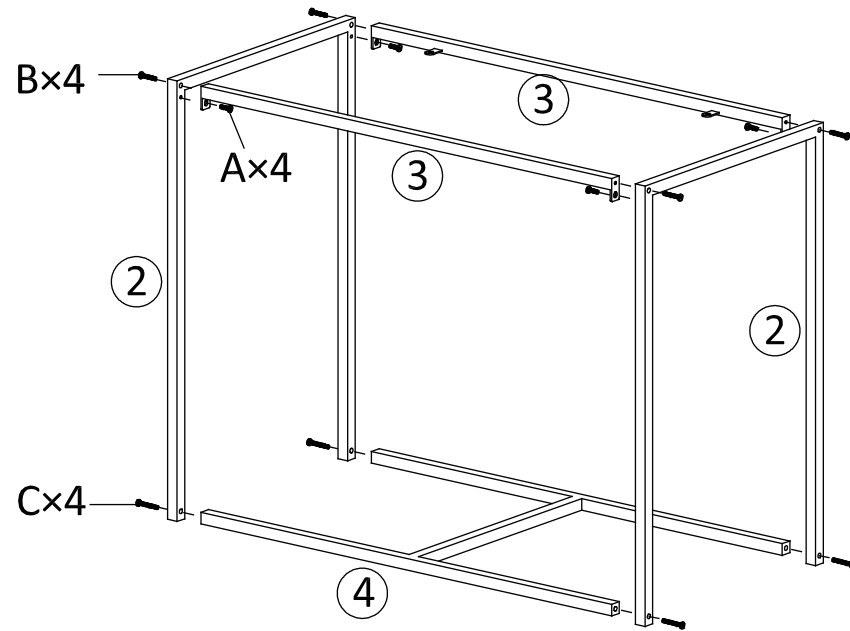
Overview

A		B		C		D			
M6×12mm Screw		M6×30mm Screw		M6×35mm Screw		D4mm Allen Key			
									
36PCS		16PCS		4PCS		1PC			
1	Table top	2	Table leg	3	Table connector	4	U connector	5	Back
									
1PC		2PCS		2PCS		1PC		2PCS	
6	Chair left leg	7	Chair right leg	8	Chair connector	9	Seat	10	Back panel
									
2PCS		2PCS		2PCS		2PCS		2PCS	

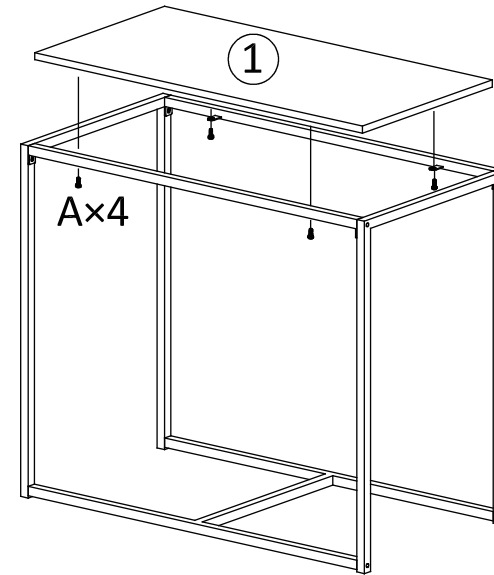
Installation Steps

Caution: If the table or chair wobbles, loosen the parts and try to assemble again. Our table or chair can only be used on a flat, level surface. For better use, we may advise you to tighten all the screws every few months.

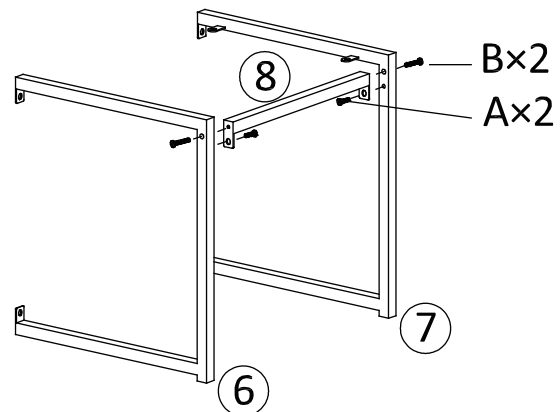
1



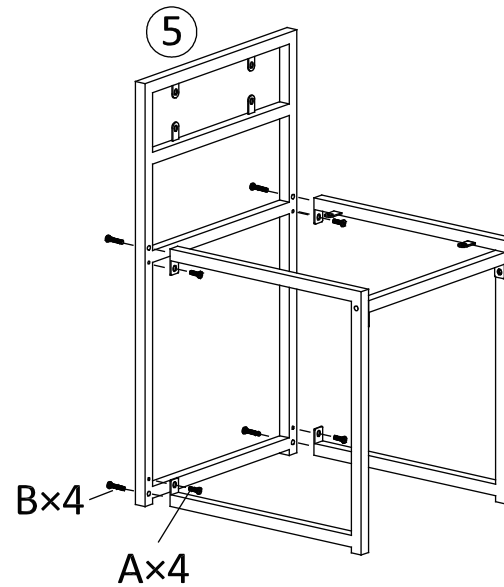
2



3



4



5

