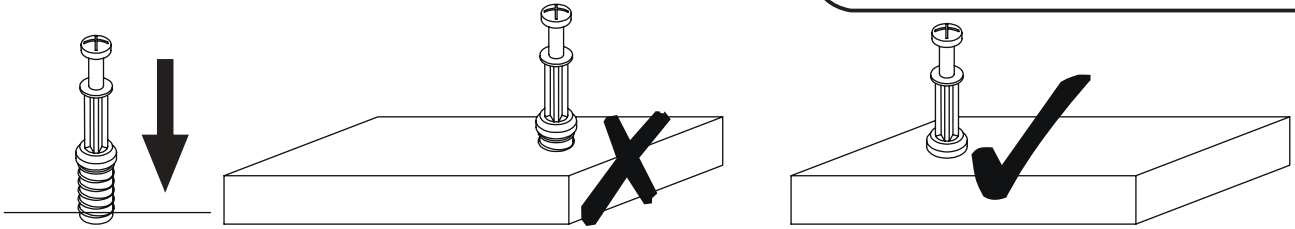
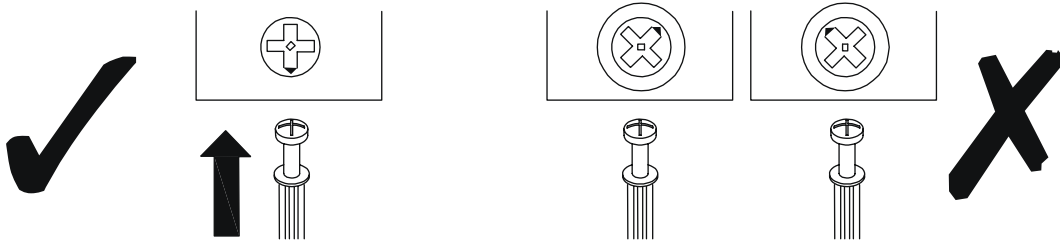


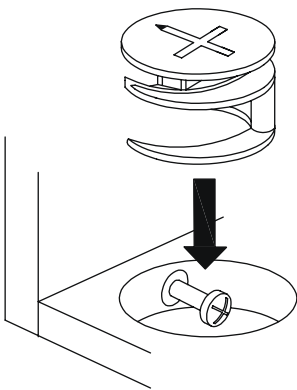
**EN\_IMPORTANT, RETAIN FOR FUTURE REFERENCE: READ CAREFULLY.**



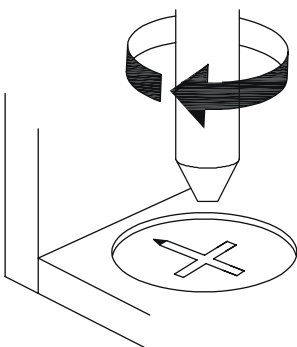
**EN\_QUICKFIT:** Tighten quickfit until shoulder is flush with panel. Do not overtighten or undertighten.



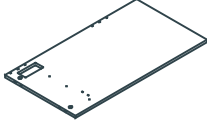
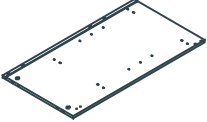
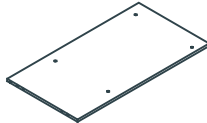
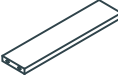
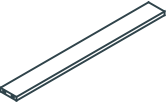
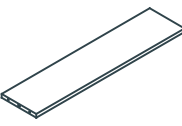

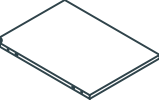
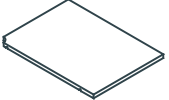
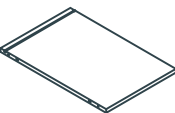
**EN\_CAM LOCK:** When fitting cam lock, ensure starting position is correct before you insert connecting quickfit.

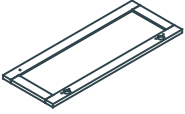
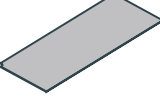
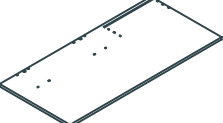
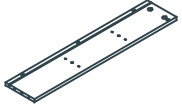
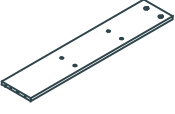
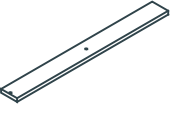


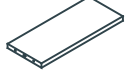
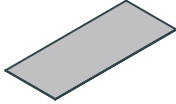


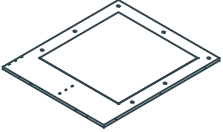
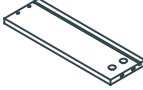
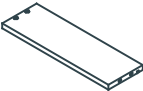

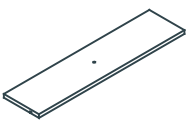

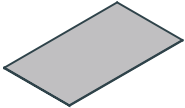
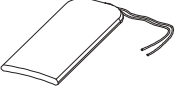
**EN\_Quickfit** head should be in the centre of the cam lock when the two panels are joined.  
Cam lock should be inserted before quickfit.

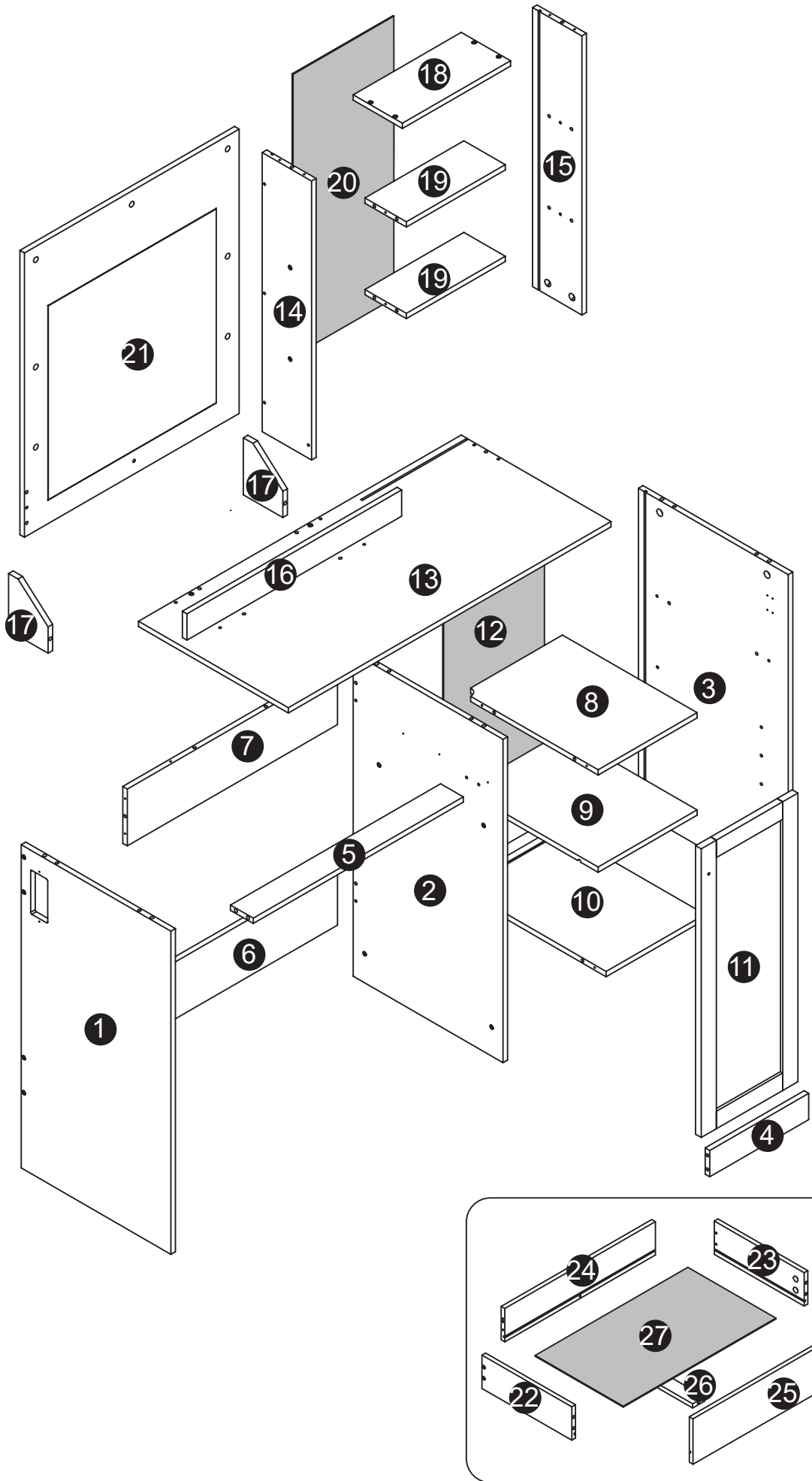








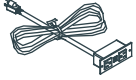
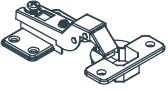





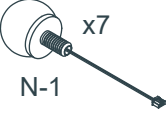


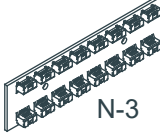


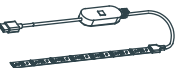







**EN\_Turn** cam lock clockwise to tighten.

NO.	PARTS	QTY	SPARE
①		x1	
②		x1	
③		x1	
④		x1	
⑤		x1	
⑥		x1	
⑦		x1	
⑧		x1	
⑨		x1	
⑩		x1	

NO.	PARTS	QTY	SPARE
⑪		x1	
⑫		x1	
⑬		x1	
⑭		x1	
⑮		x1	
⑯		x1	
⑰		x2	
⑱		x1	
⑲		x2	
⑳		x1	

NO.	PARTS	QTY	SPARE
②1		x1	
②2		x1	
②3		x1	
②4		x1	
②5		x1	
②6		x1	
②7		x1	
	 Hardware Kit		

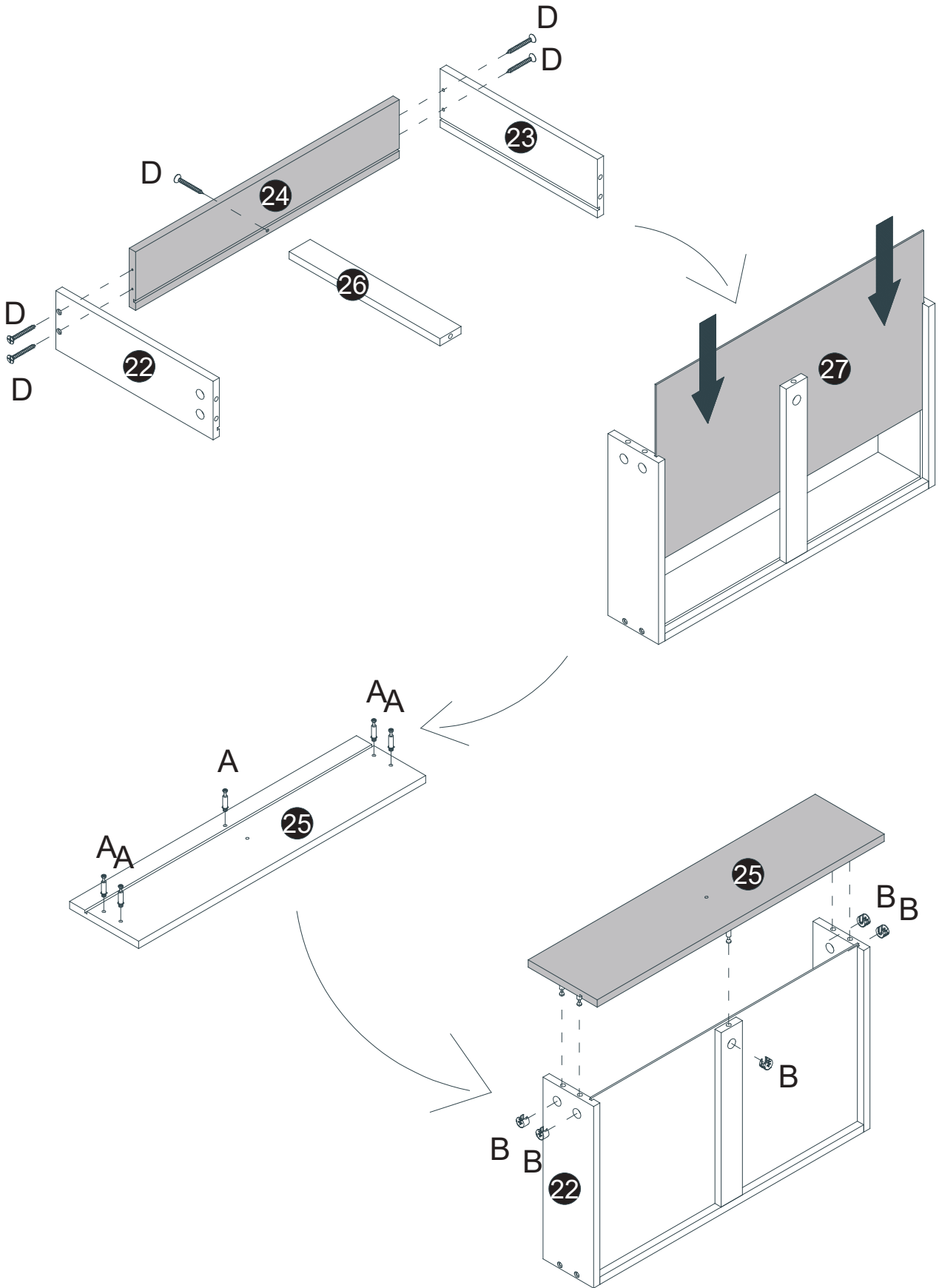
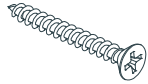
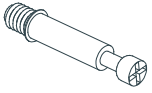


<p><b>A</b> x23 Ø6x35mm +2(spare)</p> 	<p><b>B</b> x23 Ø15x10mm +2(spare)</p> 	<p><b>C</b> x44 Ø6x30mm +2(spare)</p> 	<p><b>D</b> x41 Ø4x35mm +2(spare)</p> 	<p><b>E</b> x26 Ø3.5x12mm +2(spare)</p> 	<p><b>F</b> x8 +1(spare)</p> 
<p><b>G</b> x1</p> 	<p><b>H</b> x2</p> 	<p><b>I</b> x1</p> 	<p><b>J</b> x2</p> 	<p><b>K</b> x28</p> 	<p><b>L</b> x1</p> 
<p><b>M</b> x1</p> 	<p><b>N-1</b> x7</p> 		<p><b>N-2</b> x7</p> 		<p><b>O</b> x4</p> 
<p><b>N-3</b></p> 			<p><b>N-4</b></p> 		<p><b>CR</b>x1 L300mm</p> 
<p><b>P</b> x1</p> 	<p><b>Q</b> x4</p> 	<p><b>R</b> x2</p> 	<p><b>S</b> x2 Ø3.5x12mm</p> 	<p><b>CL</b>x1 L300mm</p> 	<p><b>CR</b>x1 L300mm</p> 
<p><b>DL</b> x1 L300mm</p> 	<p><b>DR</b> x1 L300mm</p> 				

A x5

B x5

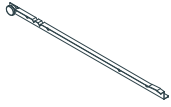
D x5



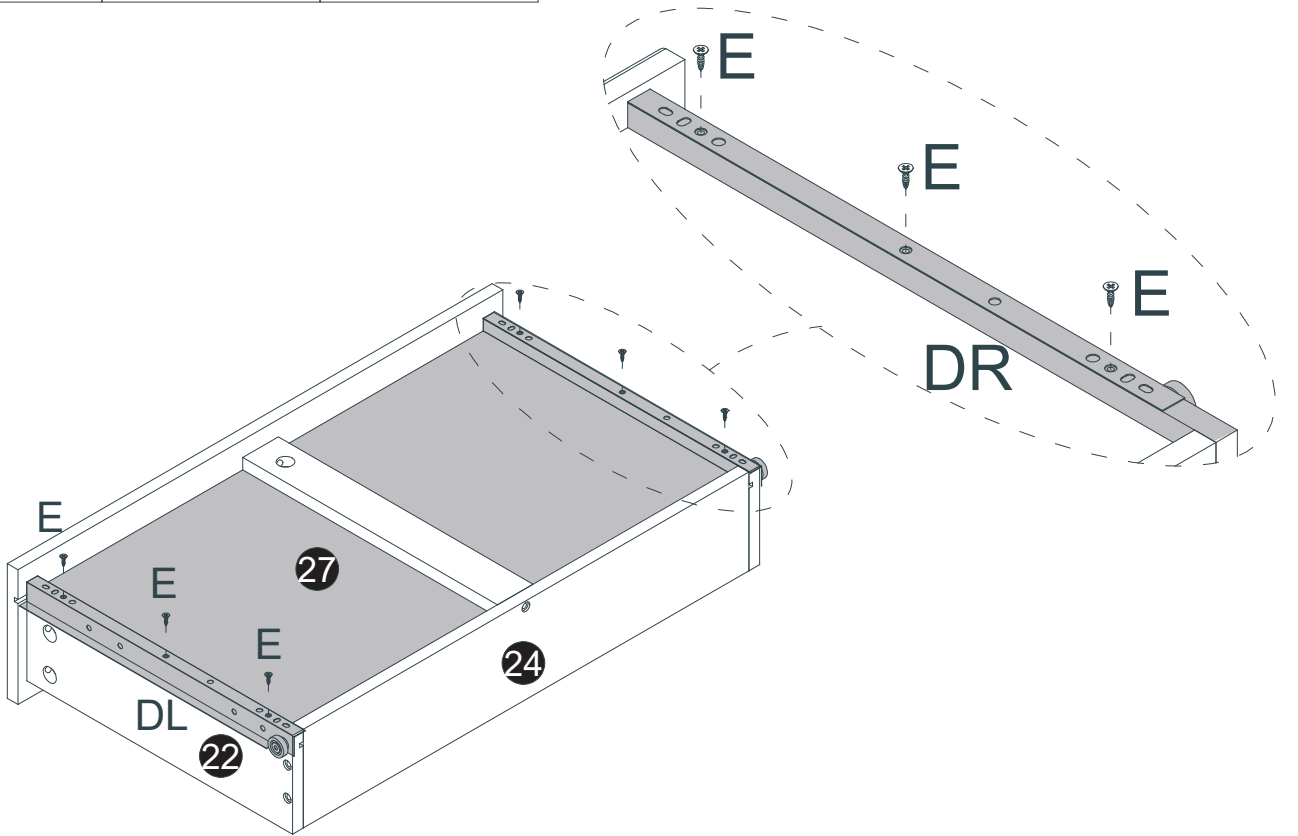
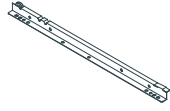
E x6



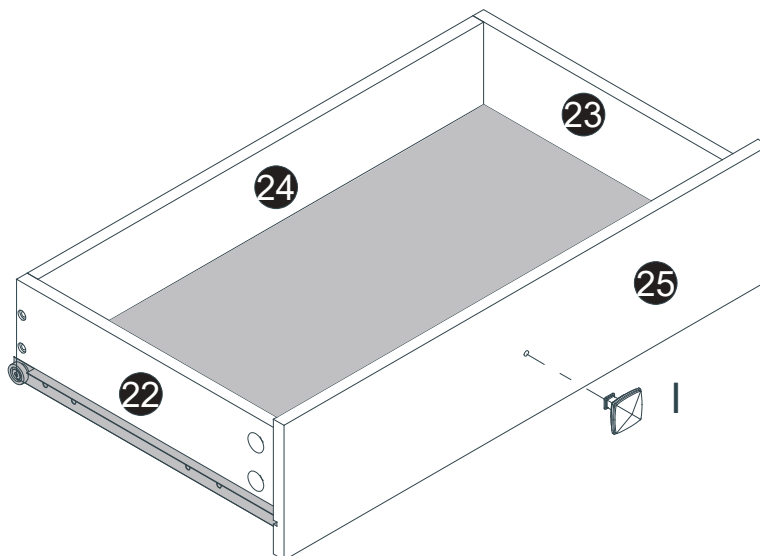
DL x1



DR x1



I x1

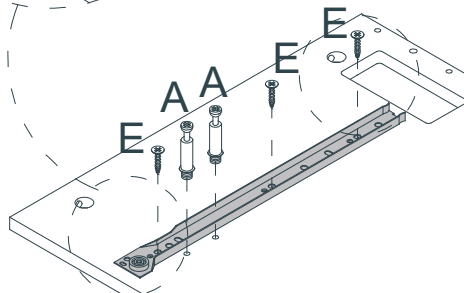
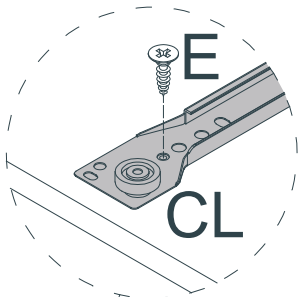
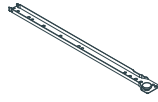
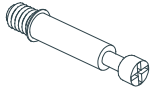


A x4

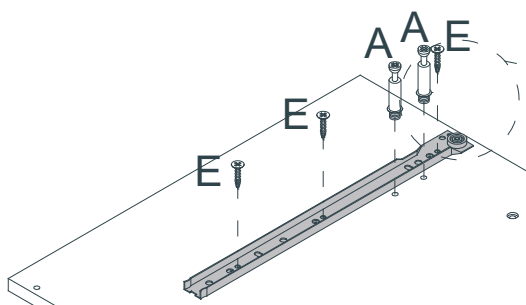
E x6

CL x1

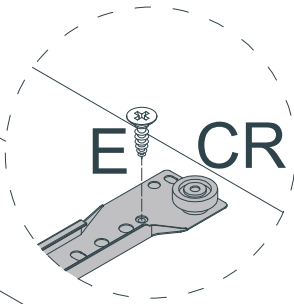
CR x1



1

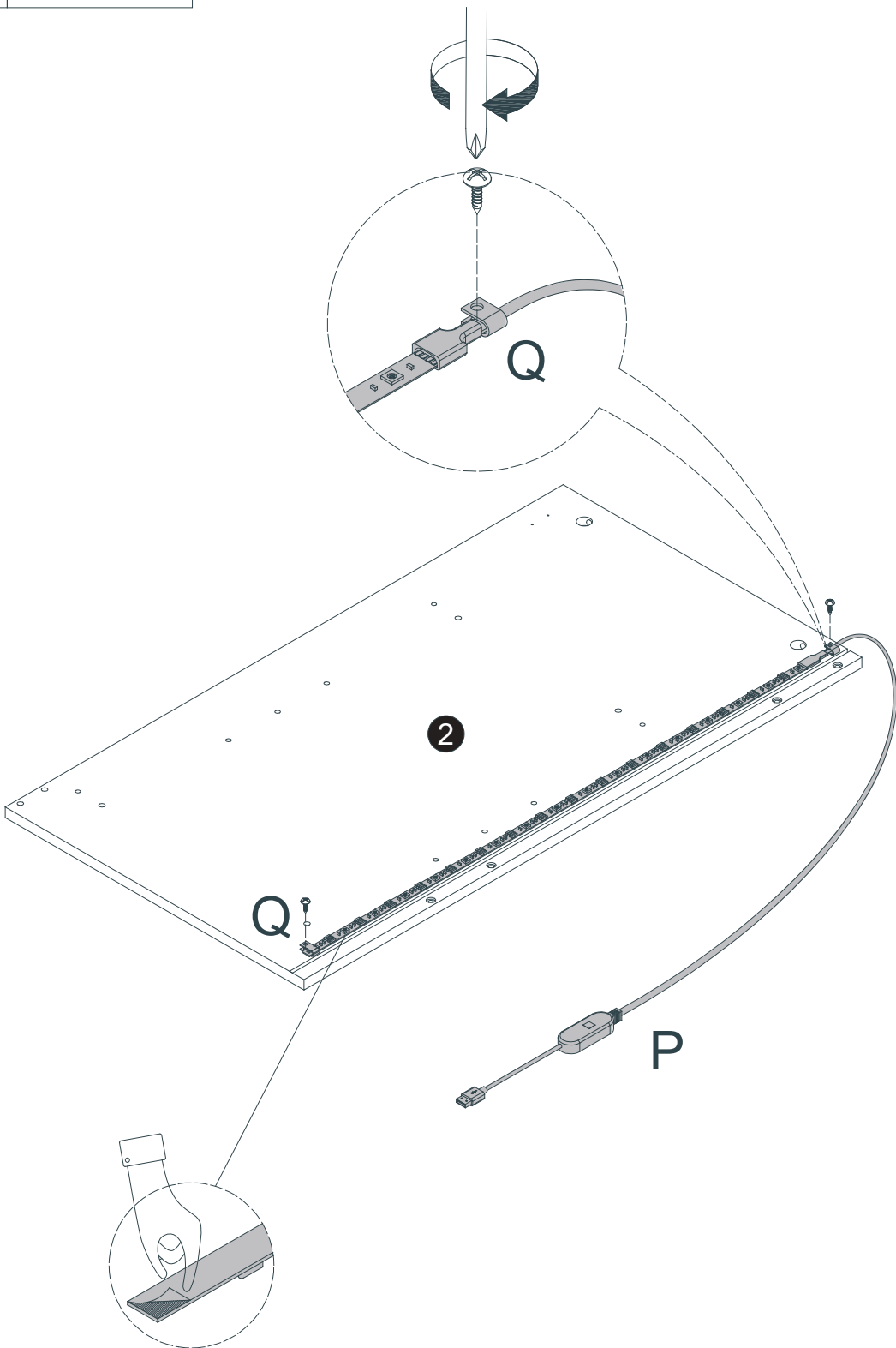
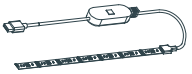


2



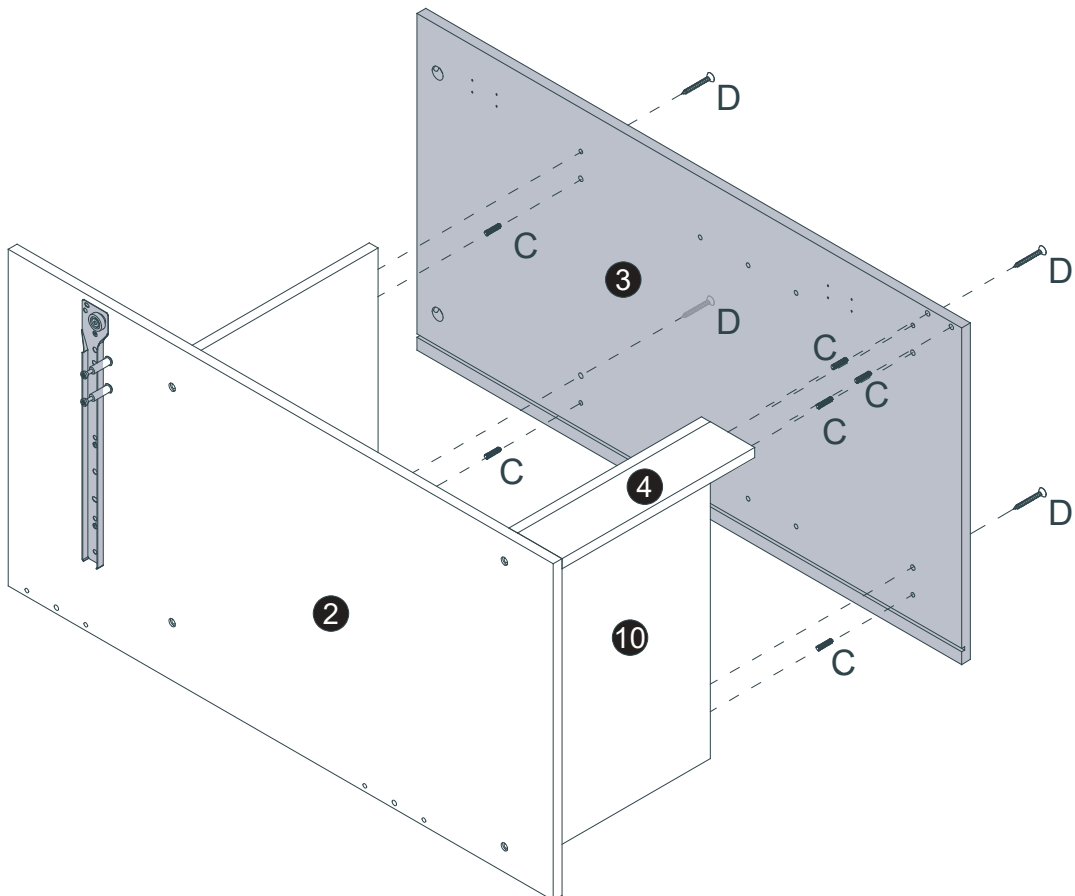
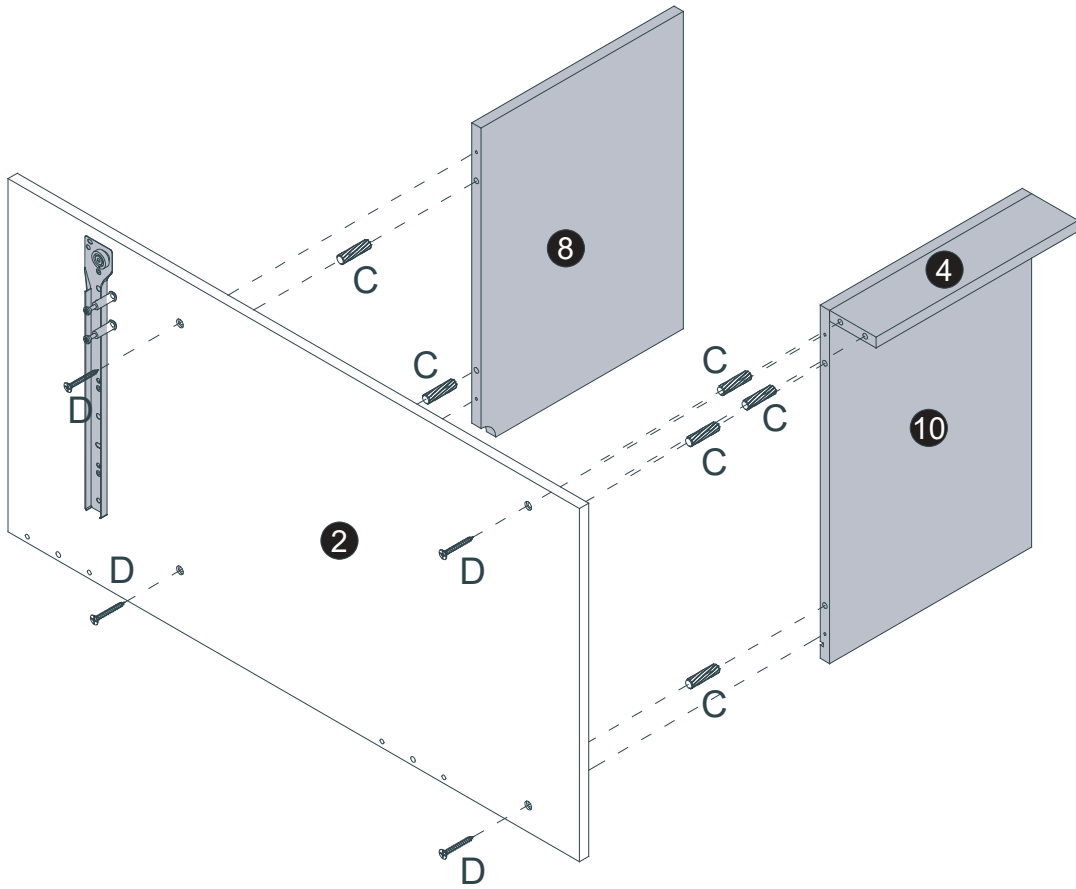
P x1

Q x2



C x12

D x8

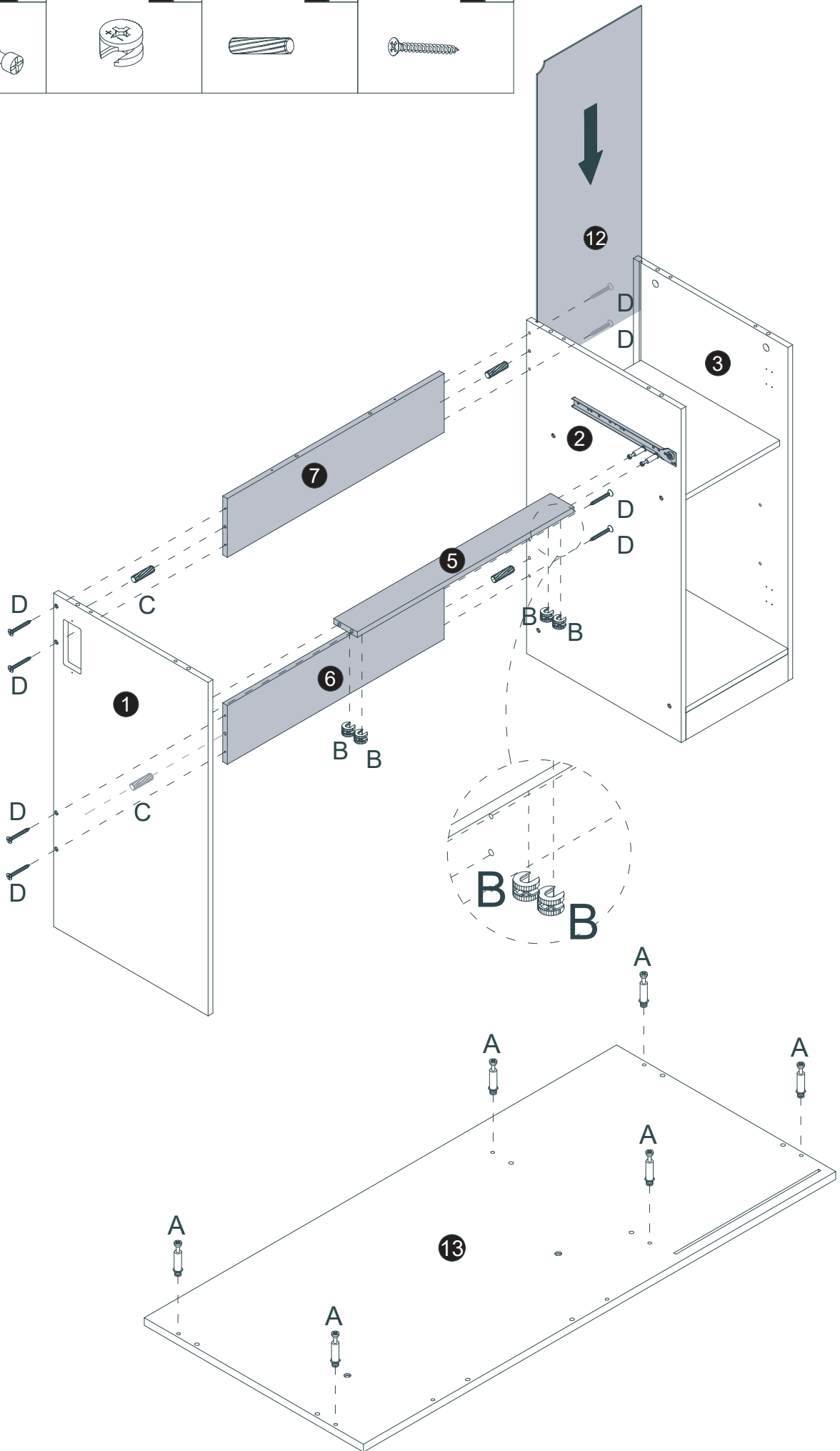
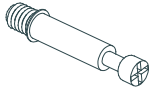


A x6

B x4

C x4

D x8

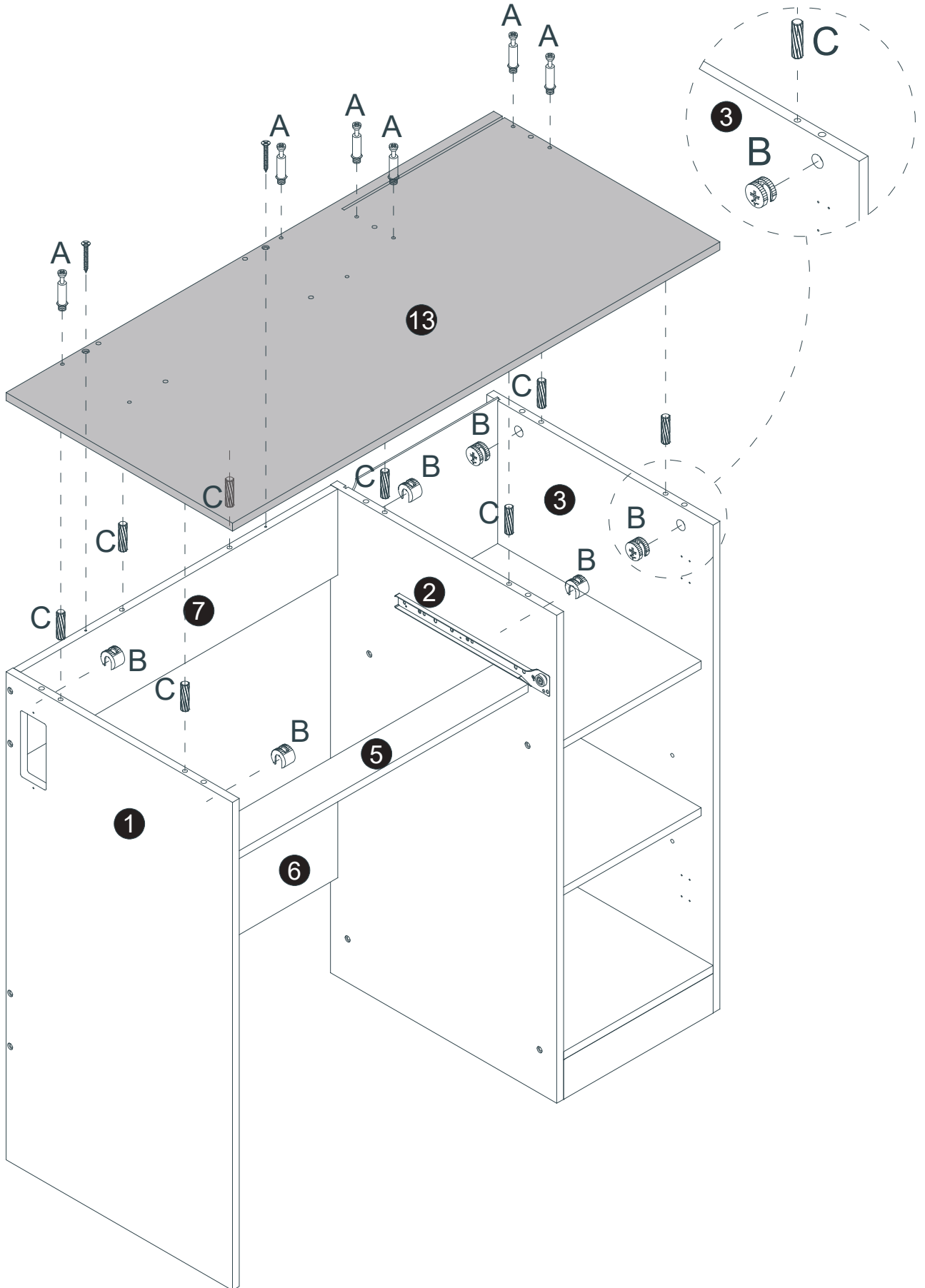
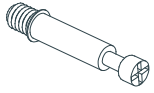


A x6

B x6

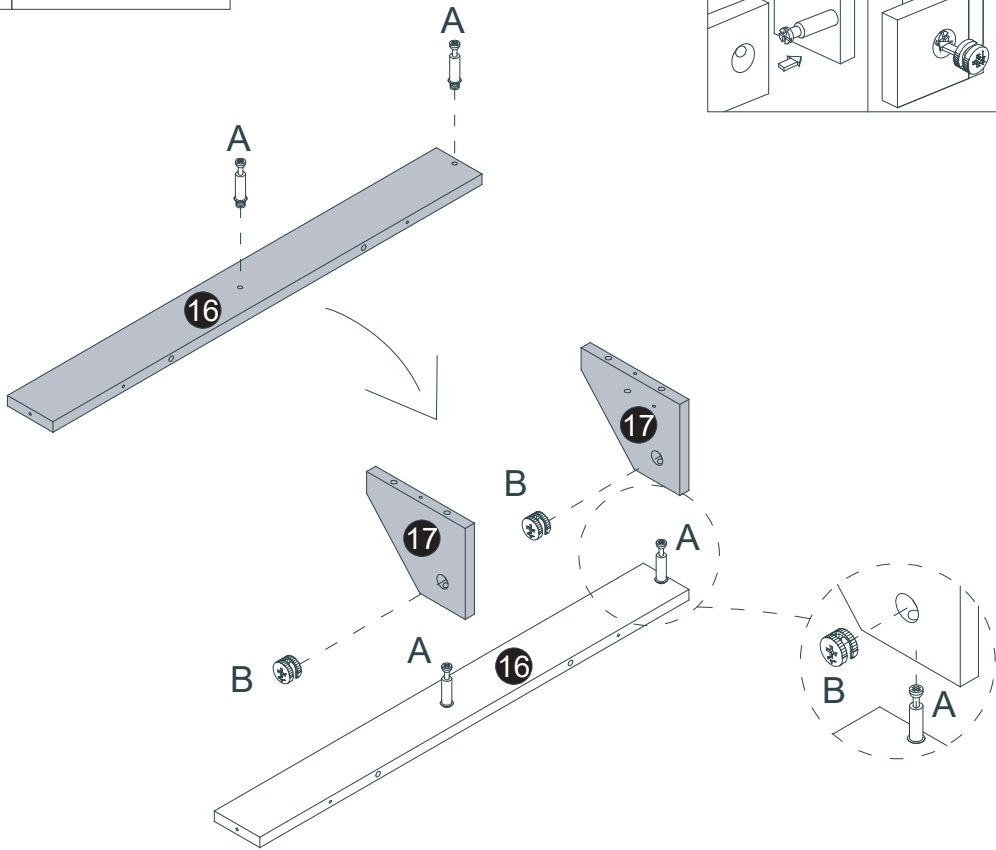
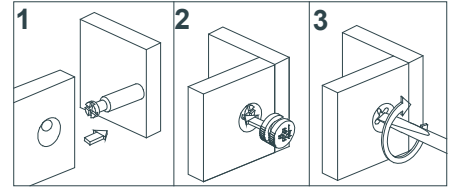
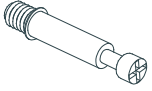
C x8

D x2



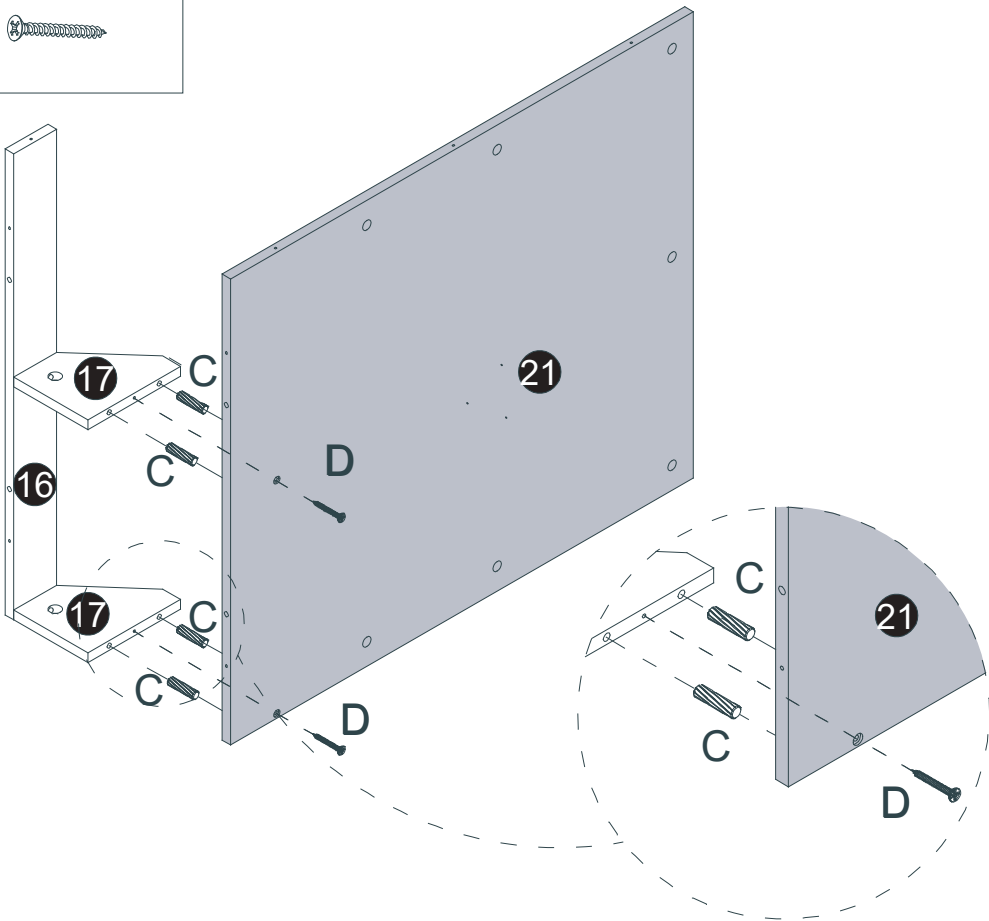
A x2

B x2



C x4

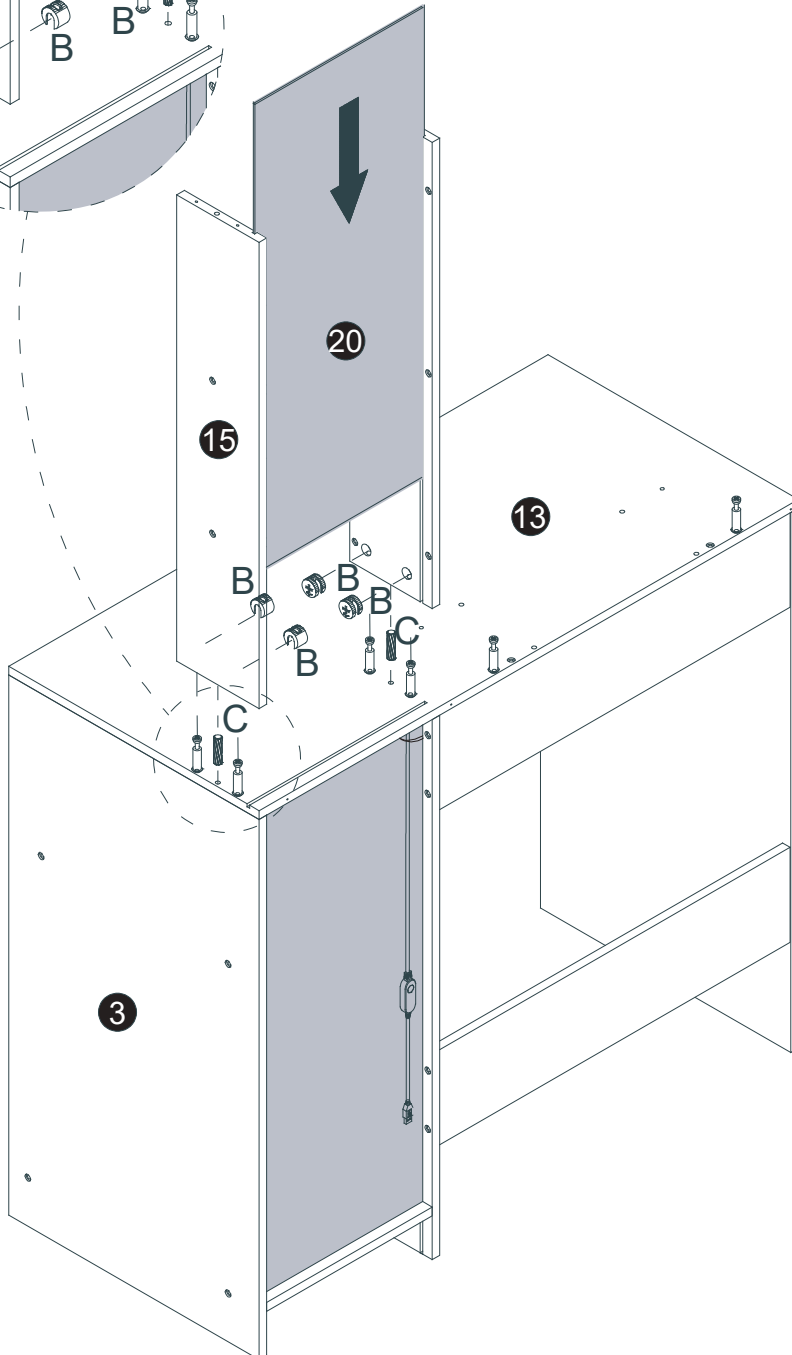
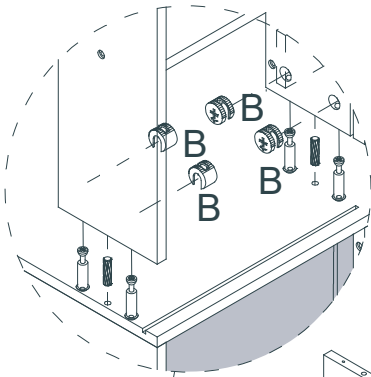
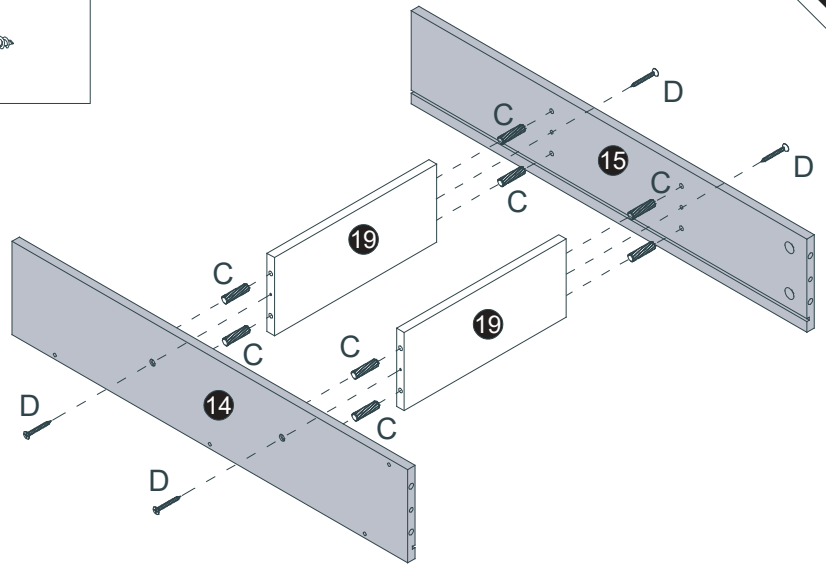
D x2



B x4

C x10

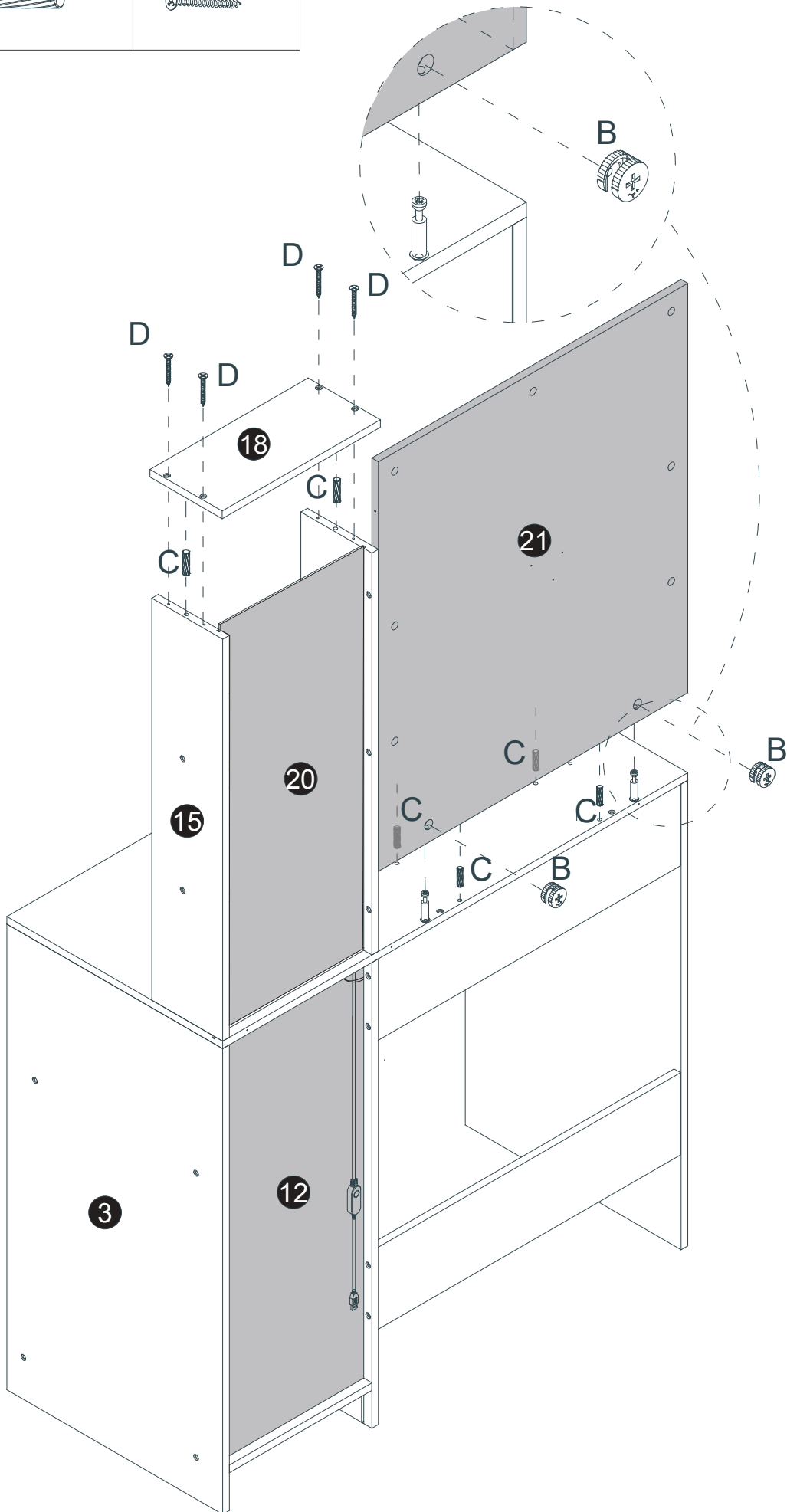
D x4



B x2

C x6

D x4

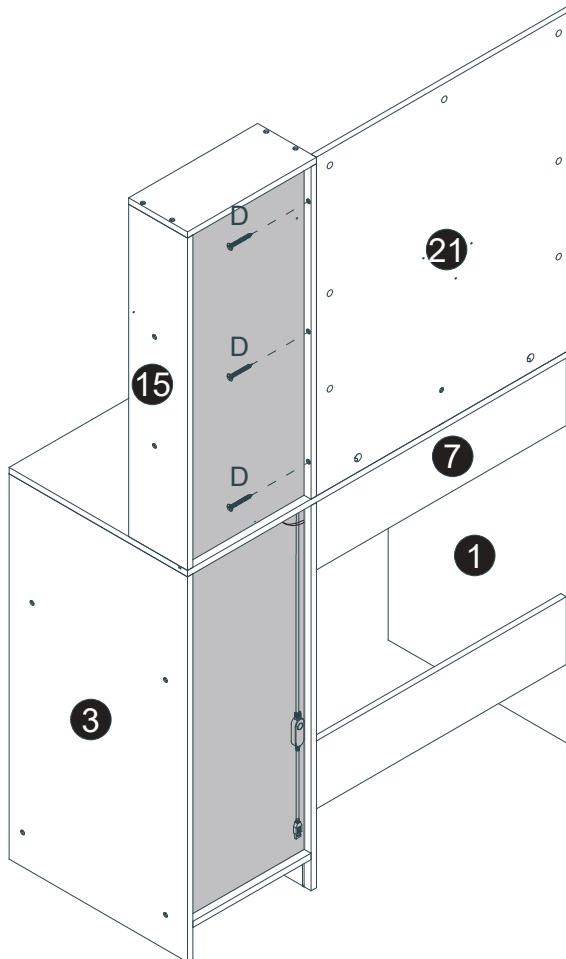
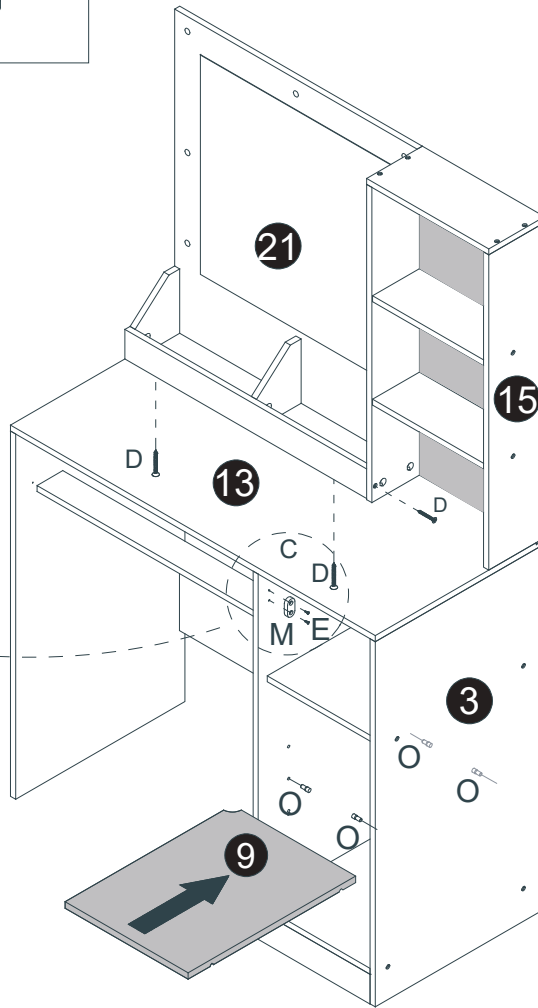
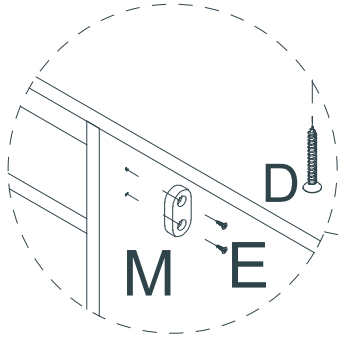


D x6

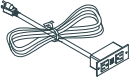
E x2

M x1

O x4



G x1



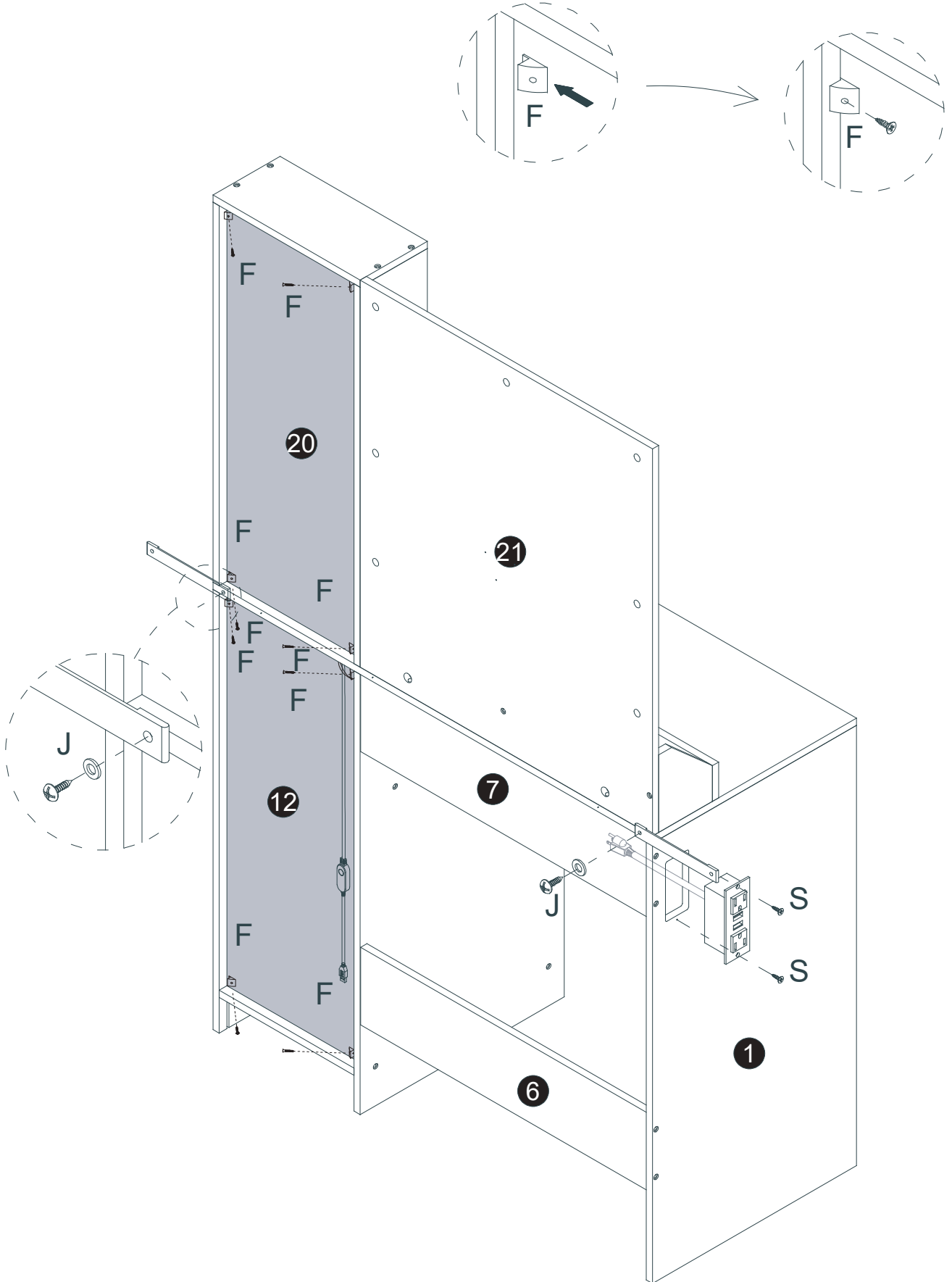
S x2



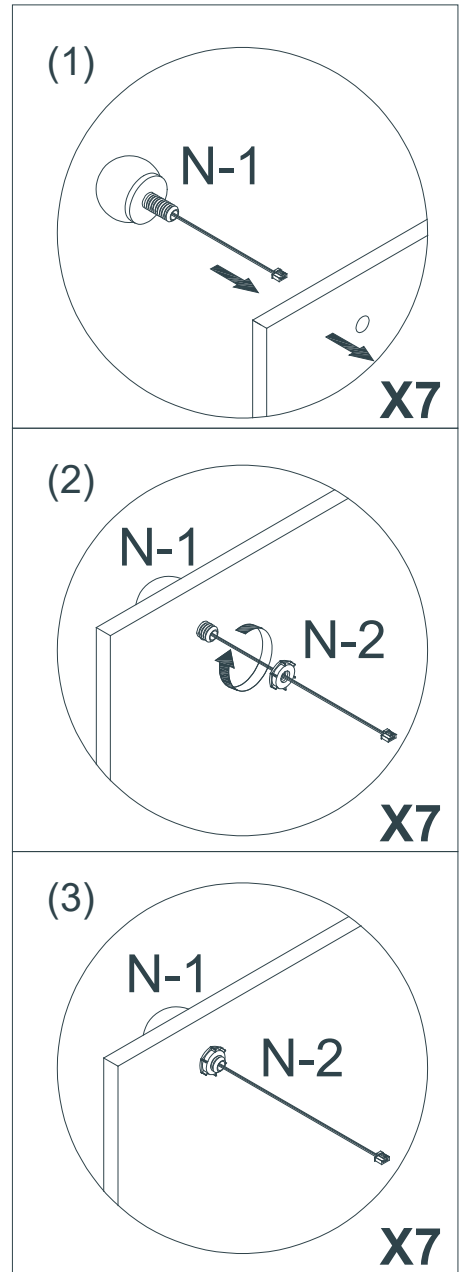
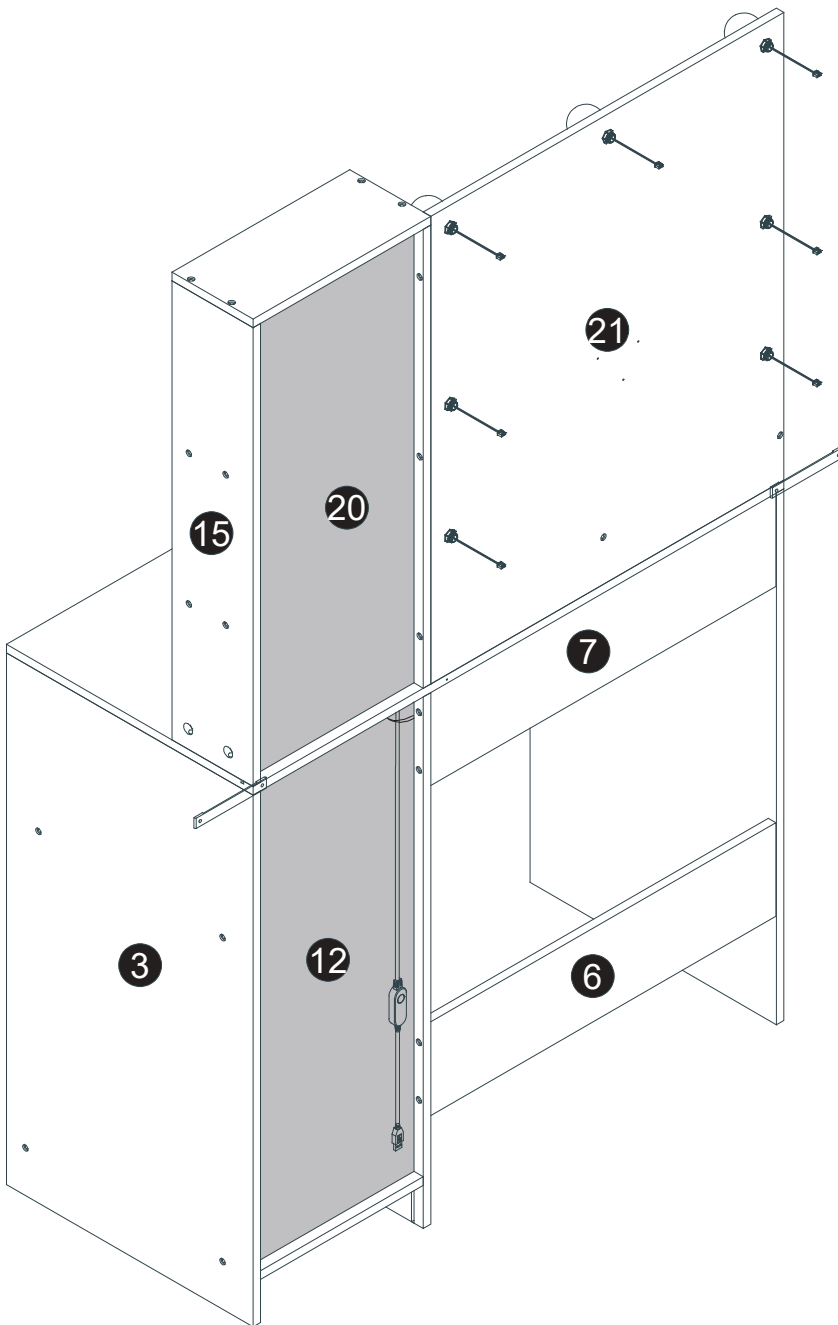
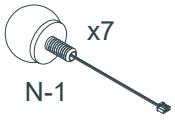
F x8

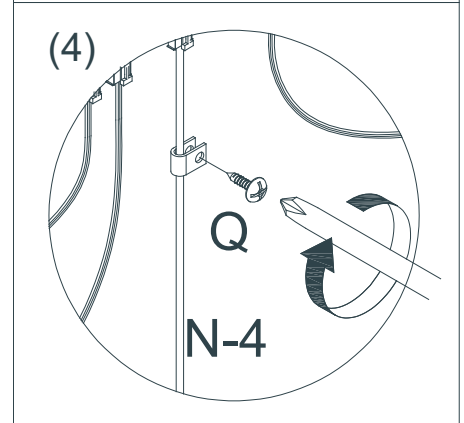
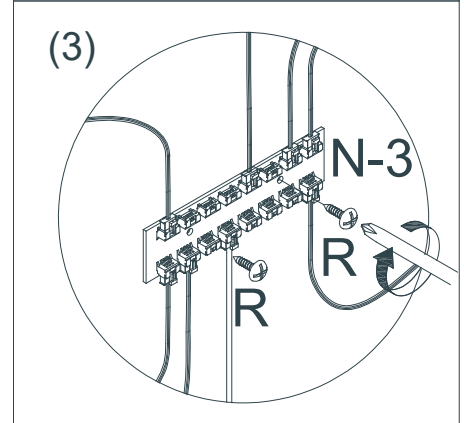
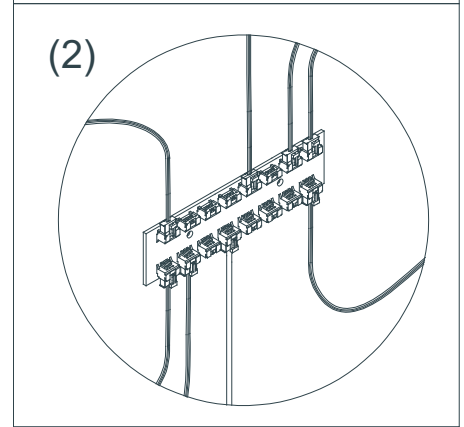
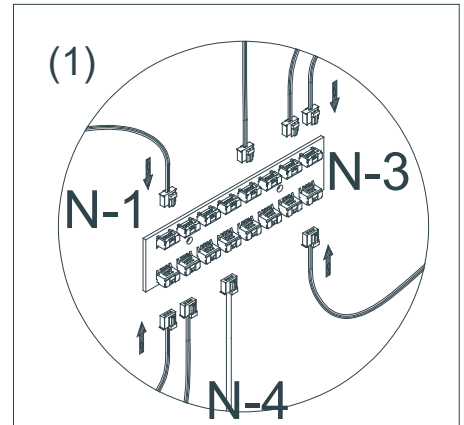
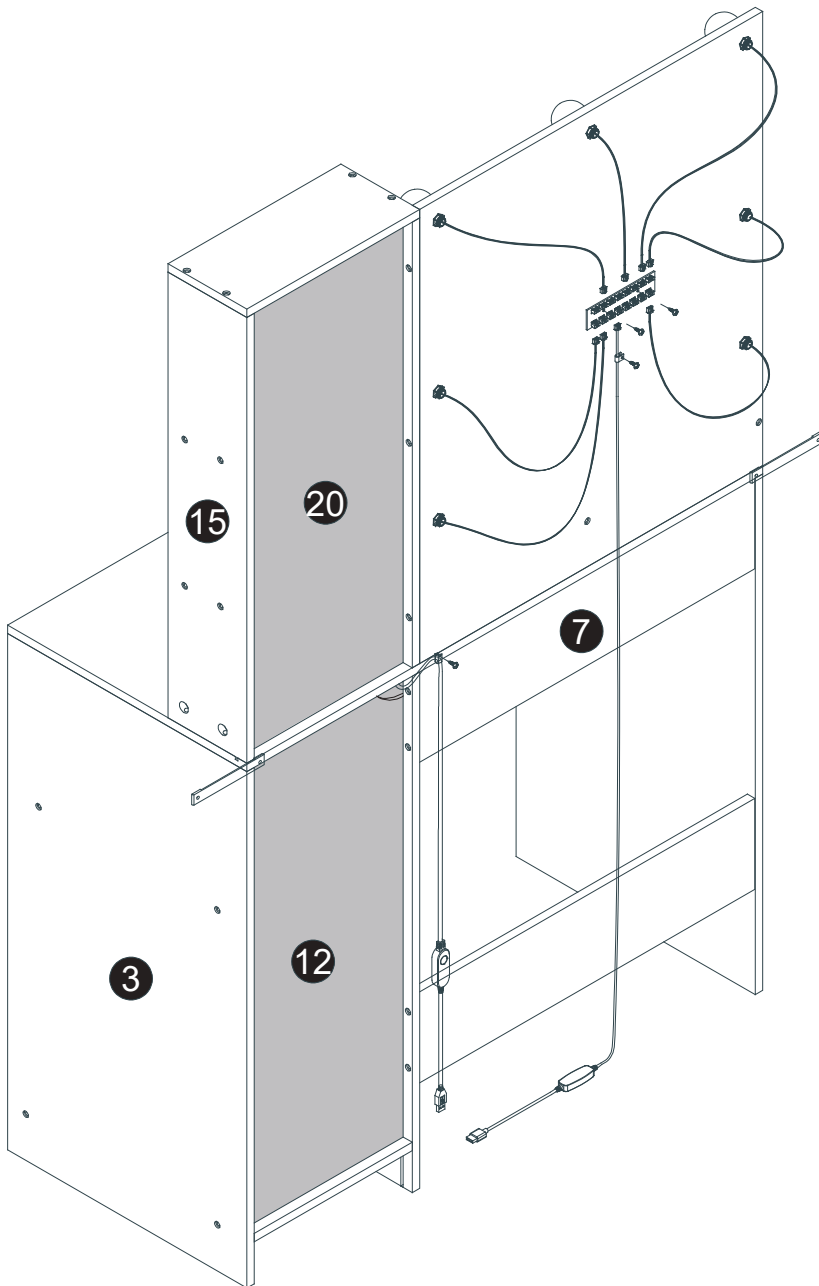
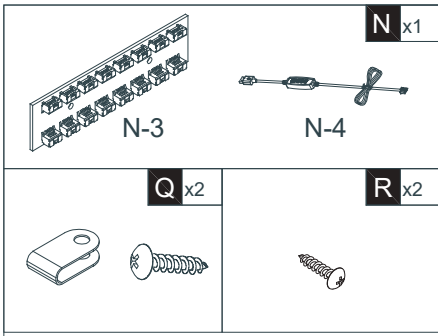


J x2



N x1



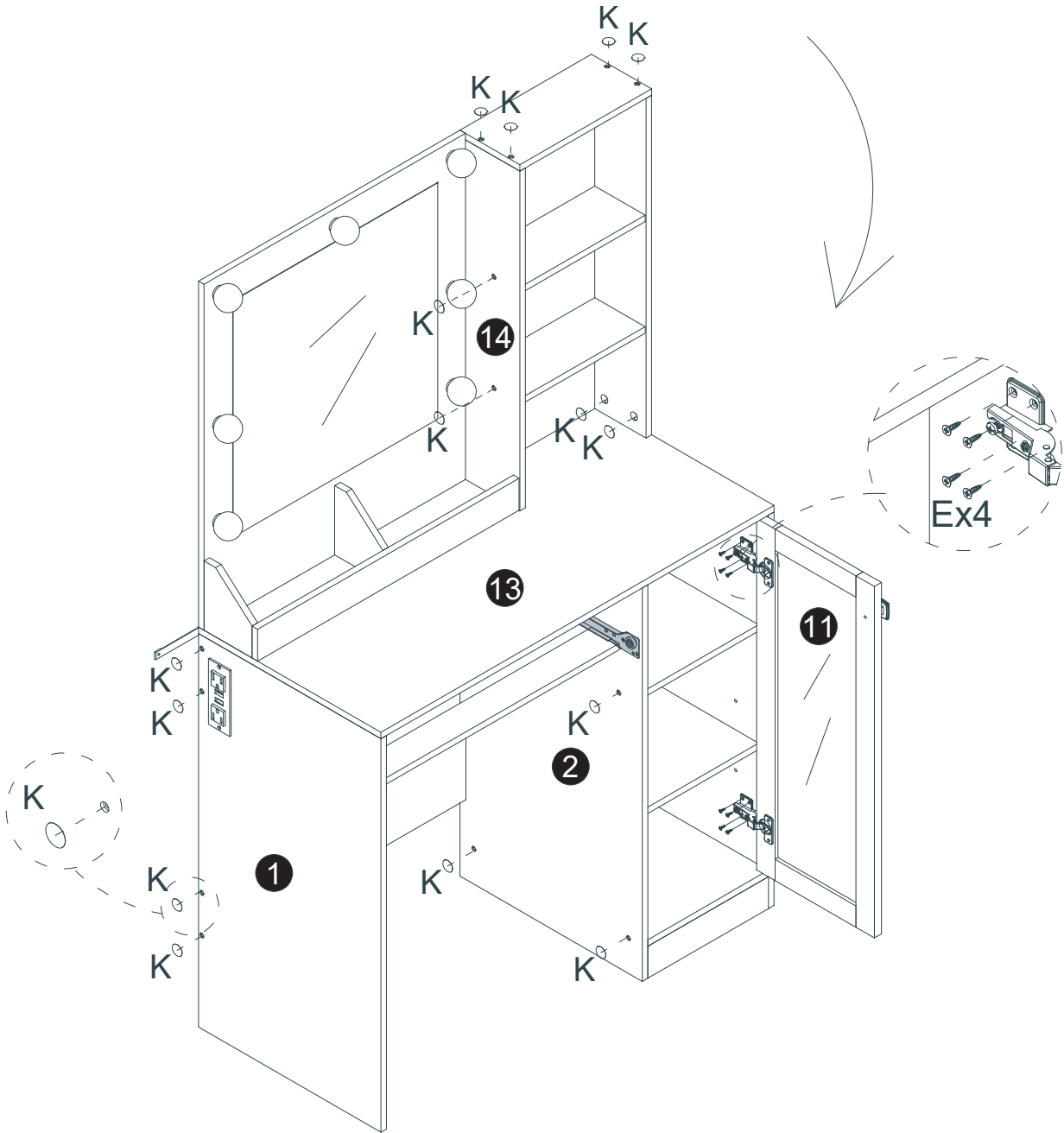
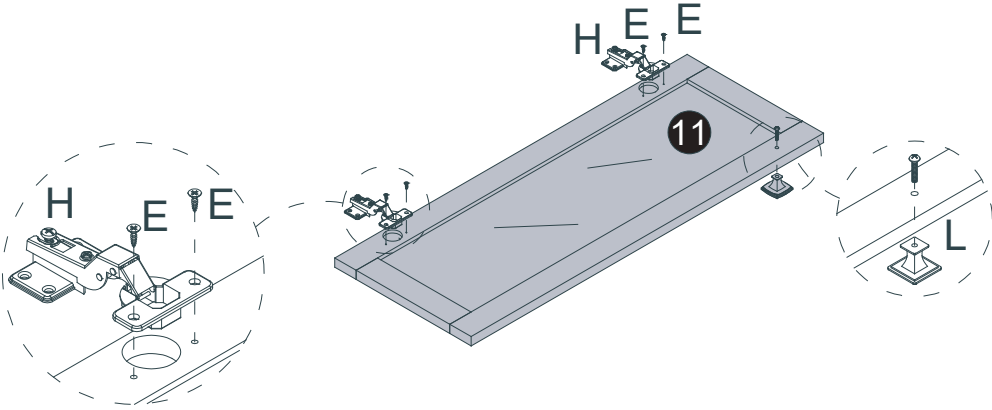
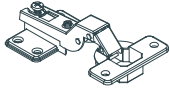


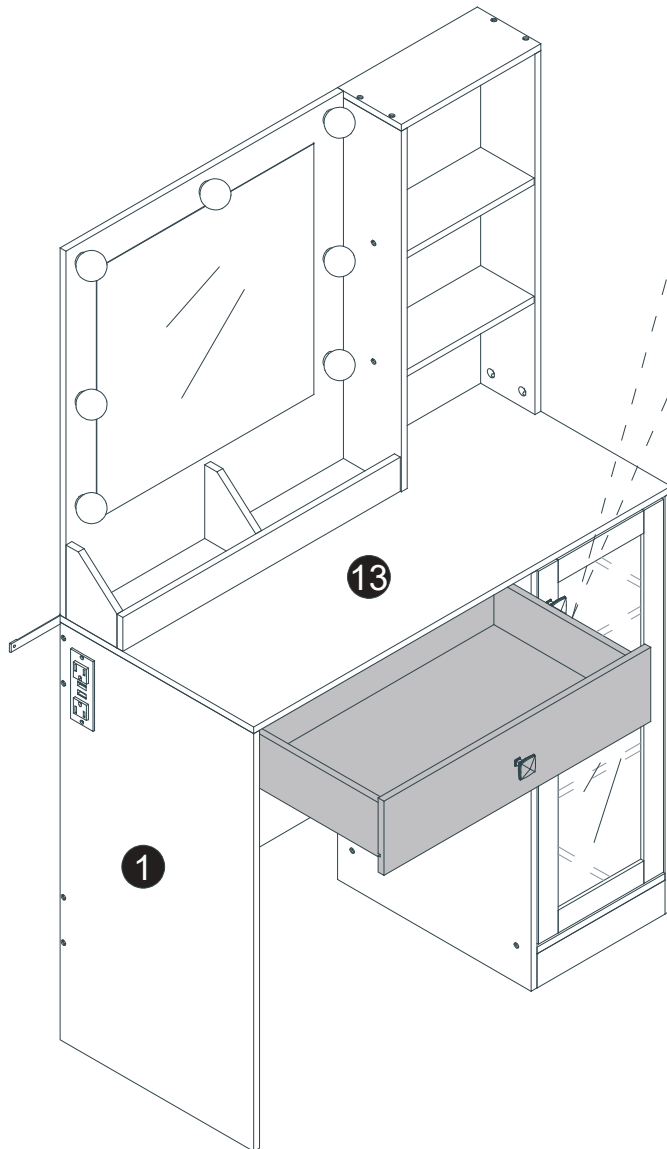
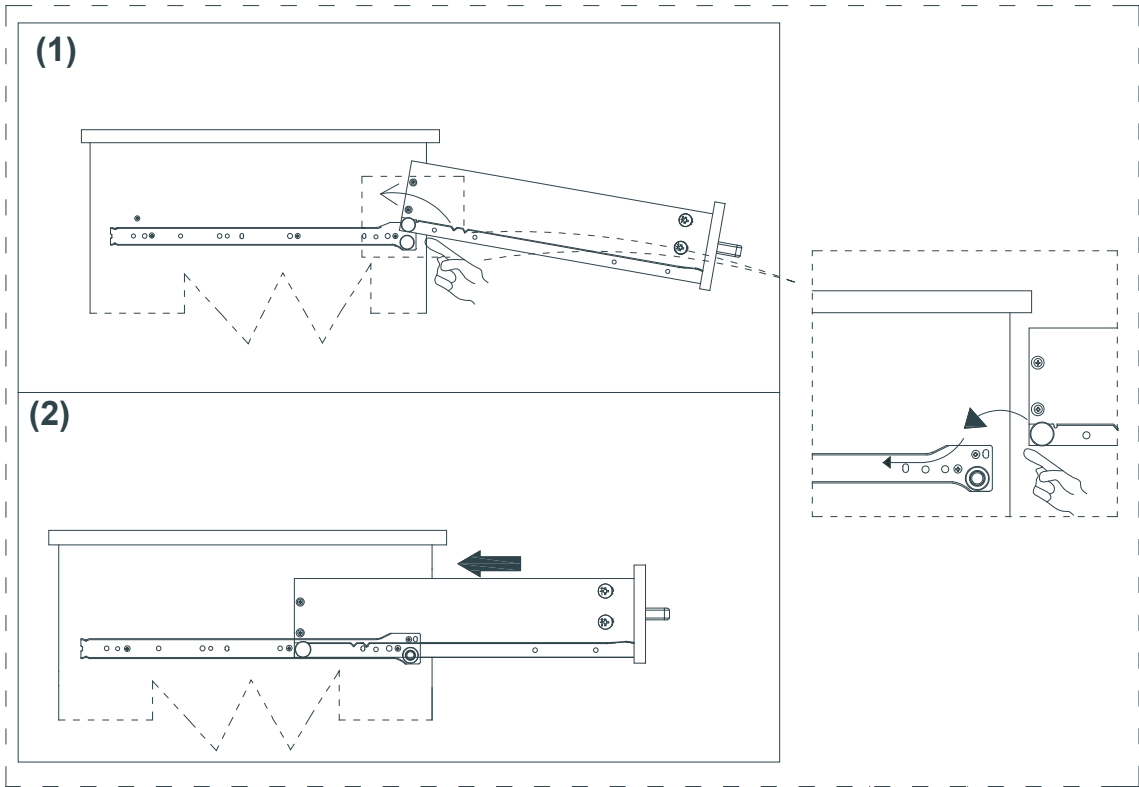
E x12

H x2

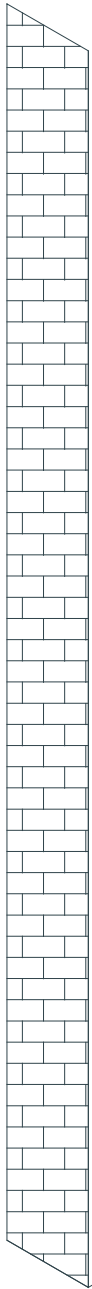
L x1

K x28



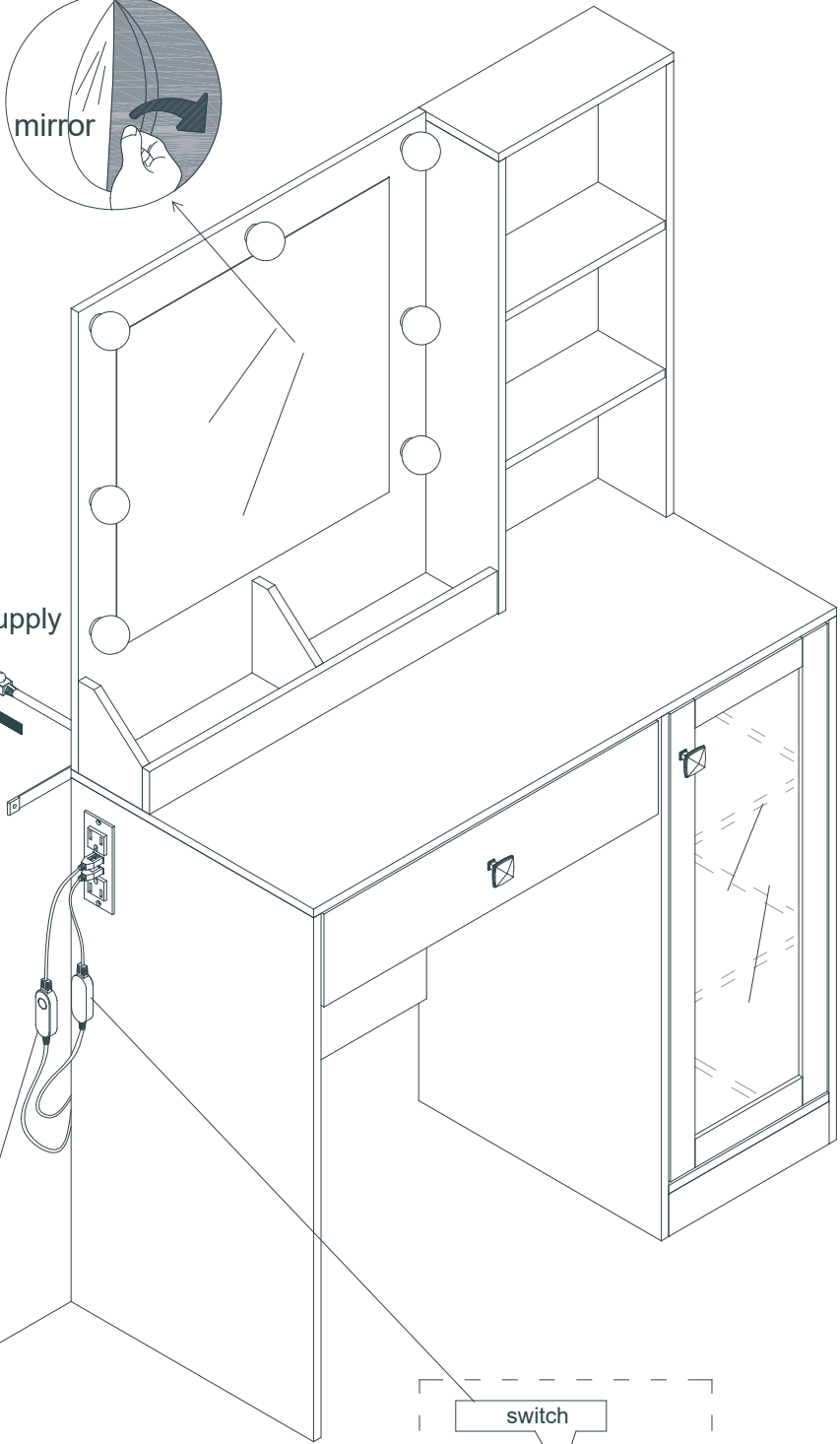


Please tear off the film on the outside of the mirror.



WALL

Power Supply



Scan qr code to download APP Bluetooth control

OR

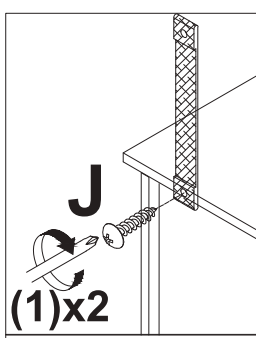
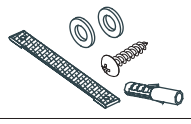
Flip to the other side for key control

switch

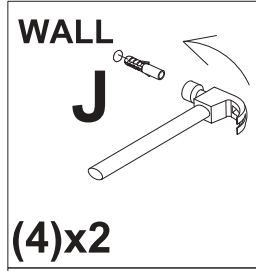
D x2



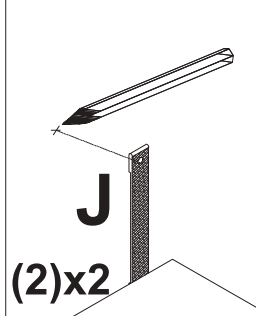
J x2



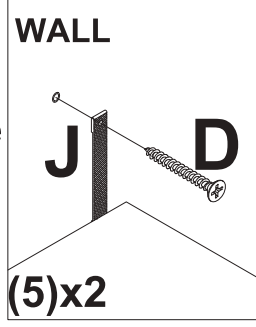
First fix the anti-rewind screw in the reserved hole of the product.



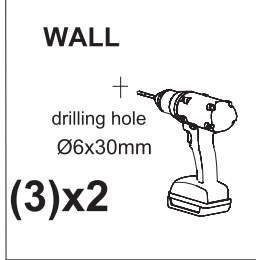
Then, put the expansion bolt into the hole



then, use a ruler to measure the approximate height of the product on the wall, and then mark it with a pen.



Finally, pass the matching screws through the "anti-rewind" and tighten them to fix them on the wall.



Then use a tape drill to make holes in the wall that are suitable for the product screws.

