

ASSEMBLY INSTRUCTION DINING TABLE

PART LIST :

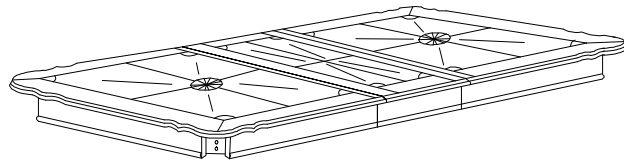


Table Top
1pc

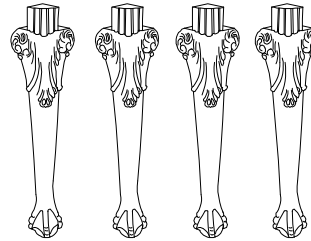




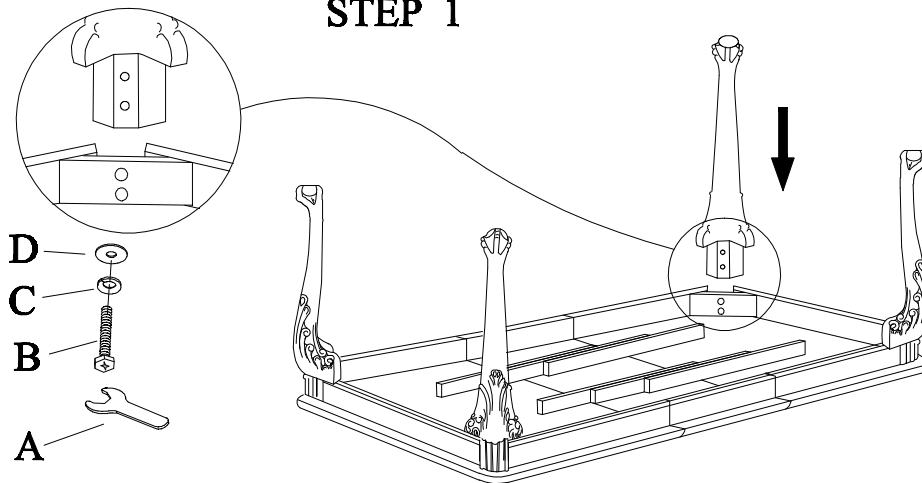


Table Leg
4pcs

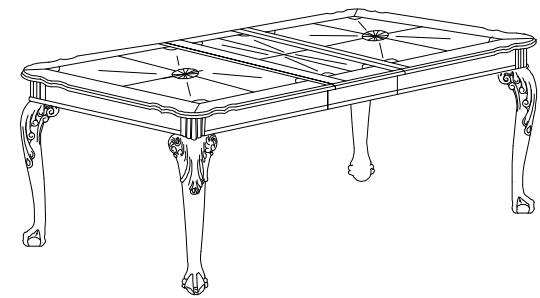
HARDWARE LIST

| | | | | |
|---|---|---------------|----------------|------|
| A |  | Wrench | 5/16" | 1PC |
| B |  | Bolt | 5/16"*2-1/2" | 8PCS |
| C |  | Spring Washer | 5/16" | 8PCS |
| D |  | Flat Washer | 5/16"(Ø23)*1.5 | 8PCS |

STEP 1



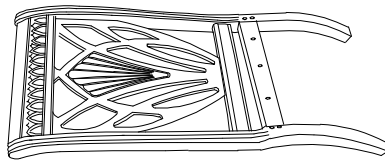
COMPLETED



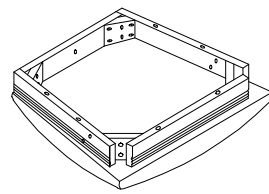
- (1) Place the table top on the smooth and stable carpeted or padded surface.
- (2) Align the table legs to the pre-drilled holes and tighten with nut and washer.

ASSEMBLY INSTRUCTION ARM CHAIR

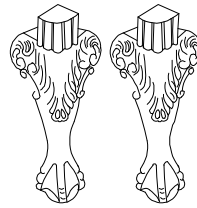
PART LIST :



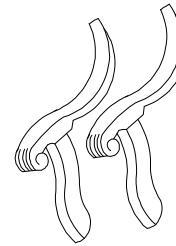
Chair Back
1pc



Seat Cushion
1pc



Front Leg
2pcs

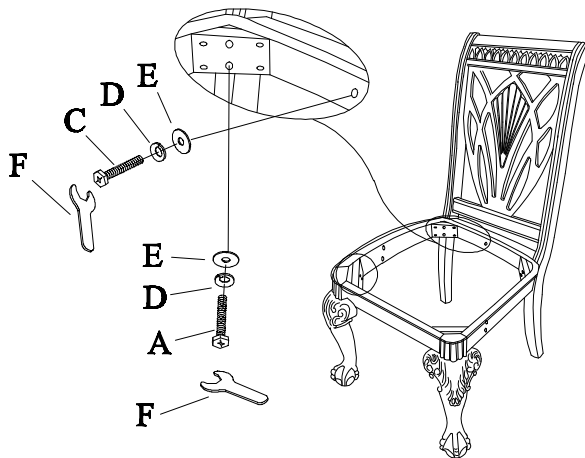


Arm
2pcs

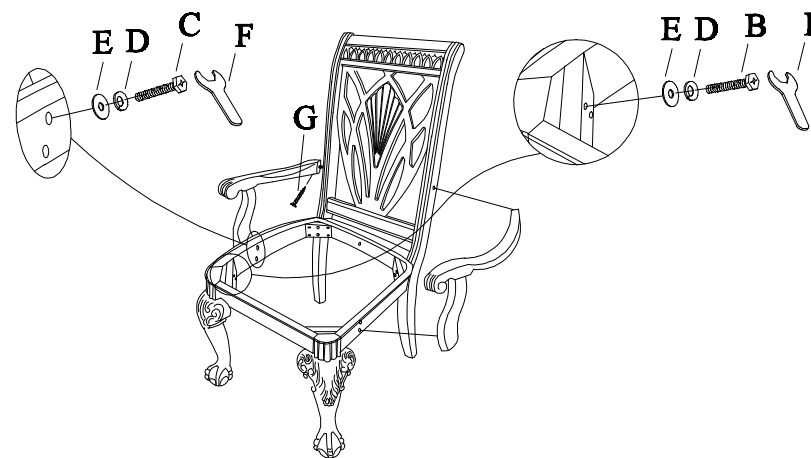
HARDWARE LIST

| A | | Bolt | 5/16"*3" | 4PCS |
|---|--|---------------|----------------|-------|
| B | | Bolt | 5/16"*2-1/2" | 4PCS |
| C | | Bolt | 5/16"*1-1/2" | 5PCS |
| D | | Spring Washer | 5/16" | 13PCS |
| E | | Flot Washer | 5/16"(Ø19)*1.5 | 13PCS |
| F | | Wrench | 12mm | 1PC |
| G | | Screw | Ø8mm*1-1/4" | 2PCS |

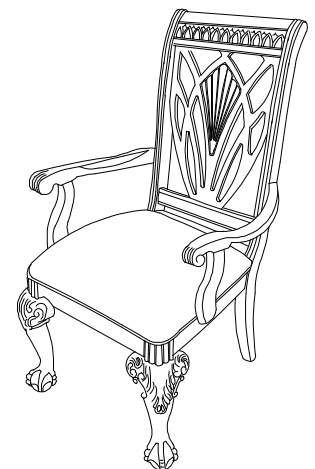
STEP 1



STEP 2



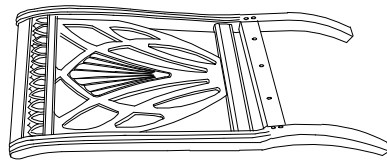
COMPLETED



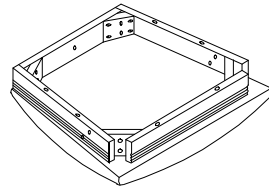
- (1) Align the seat to the chair back ,insert the bolt and washer to pre-drilled holes and tighten it .
- (2) Attach the leg and arm to seat ,insert the nut and washer and screw then tighten it .

ASSEMBLY INSTRUCTION SIDE CHAIR

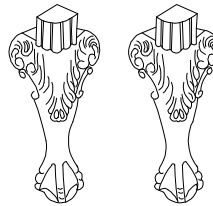
PART LIST :



Chair Back
1pc









Seat Cushion
1pc

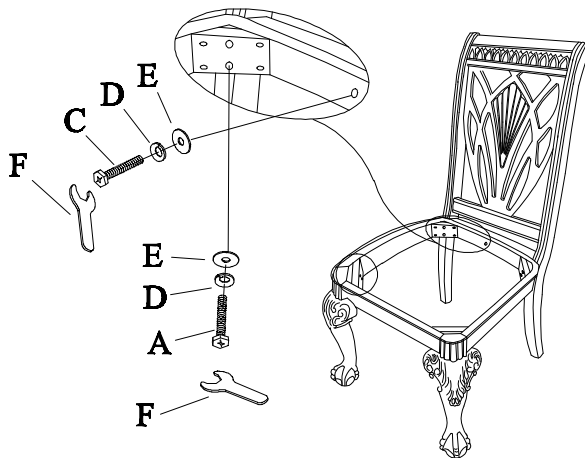


Front Leg
2pcs

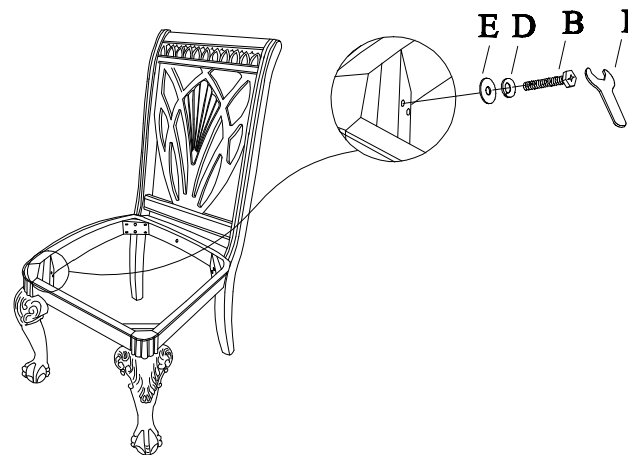
HARDWARE LIST

| HARDWARE LIST | | | | |
|---------------|---|---------------|----------------|------|
| A |  | Bolt | 5/16"*3" | 4PCS |
| B |  | Bolt | 5/16"*2-1/2" | 4PCS |
| C |  | Bolt | 5/16"*1-1/2" | 1PC |
| D |  | Spring Washer | 5/16" | 9PCS |
| E |  | Flat Washer | 5/16"(Ø19)*1.5 | 9PCS |
| F |  | Wrench | 12mm | 1PC |

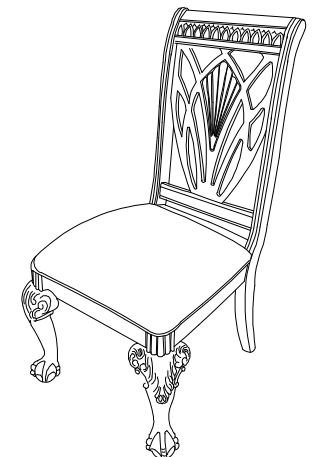
STEP 1



STEP 2



COMPLETED



- (1) Align the seat to the chair back , insert the bolt and washer to pre-drilled holes and tighten it .
- (2) Attach the leg to seat , insert the nut and washer then tighten it .