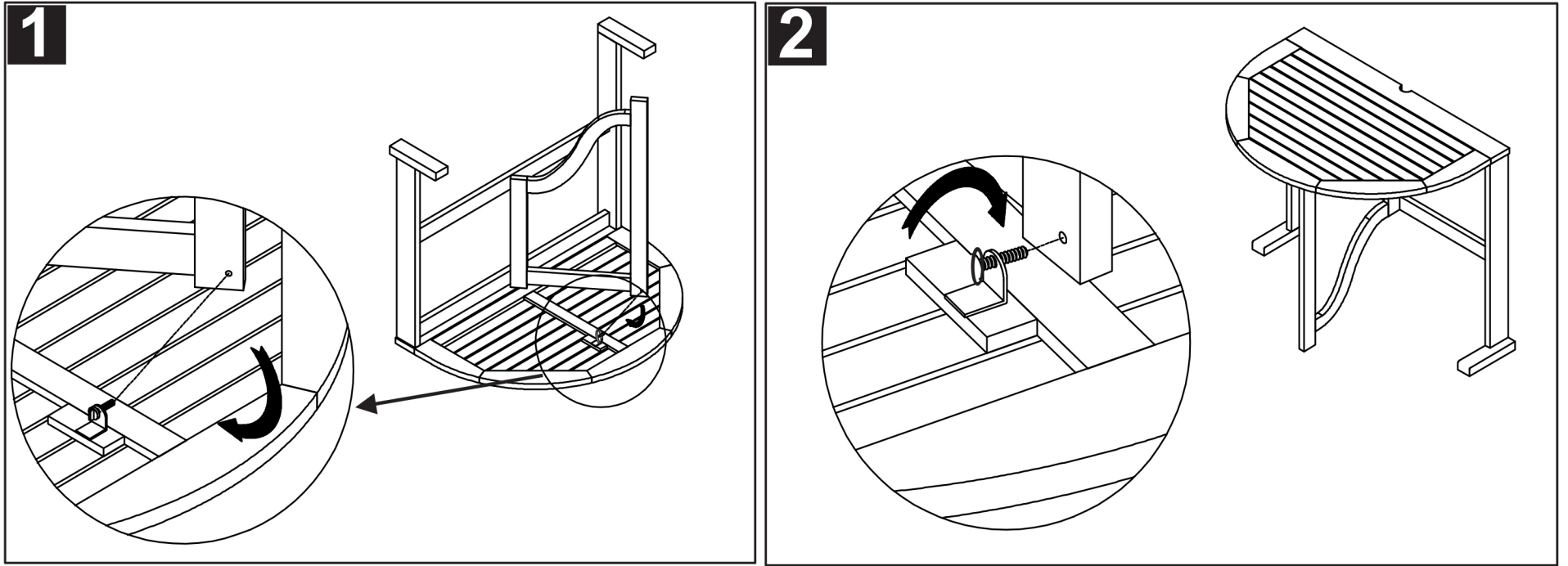


# PREPARATION

---

Before beginning the assembly of the product, make sure all parts are present. Compare the parts with the package contents list and hardware contents list. If any parts are missing or damaged, do not attempt to assemble the product. Tool required for assembly (included): No .



Step 1: turn the leg touch to the bracket as shown on the picture.

Step 2: tighten the bolt to the leg as shown on the picture.

## CARE AND MAINTENANCE

---

Store outdoor furniture indoors or cover well when it is not in use. Dust regularly with small brush or vacuum. Spills should be taken care of immediately before they harden or stain with a slightly dampened sponge.

## NOTICE

---

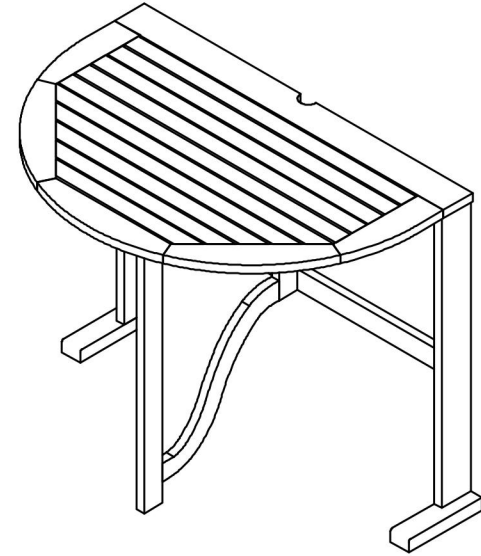
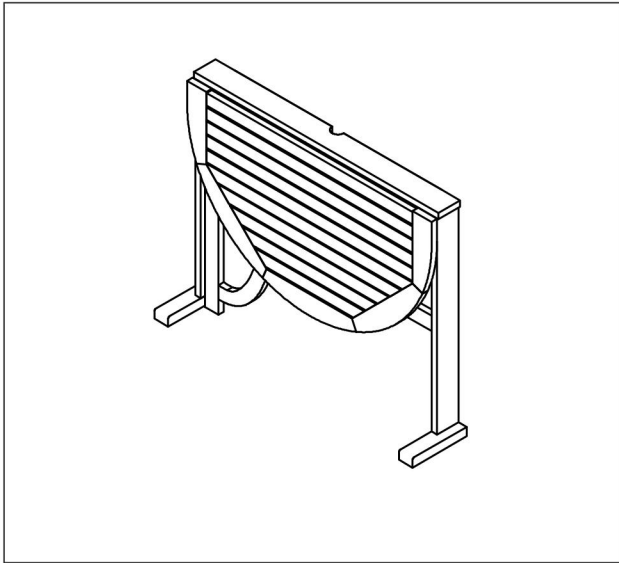
Please make sure that you have all parts indicated before you begin assembly of this item.

Product Dimension: 23.62"W x 35.43"D x 29.13"H

**Weight capacity : 40 lbs.**

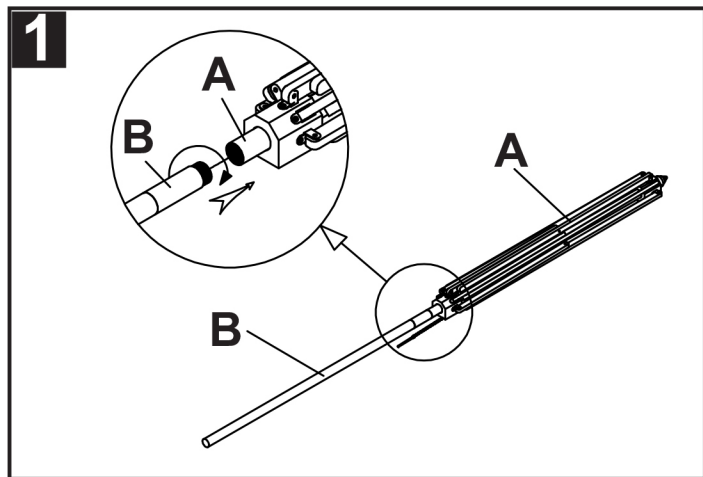
**Warning : Do not stand on the table**

**Warning : Do not torque bolts / screws**

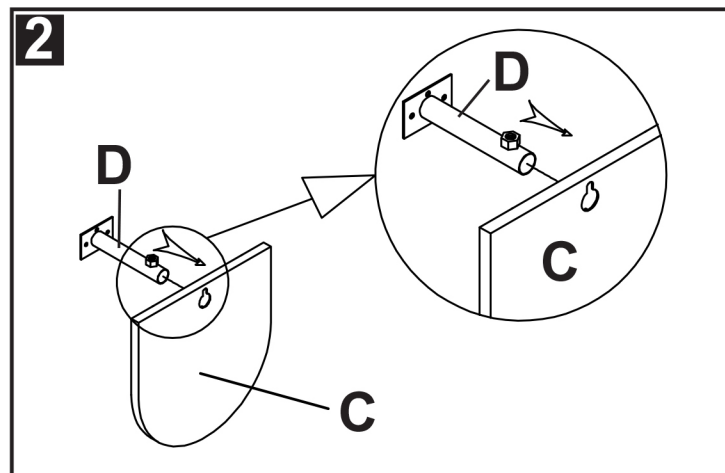


# PREPARATION

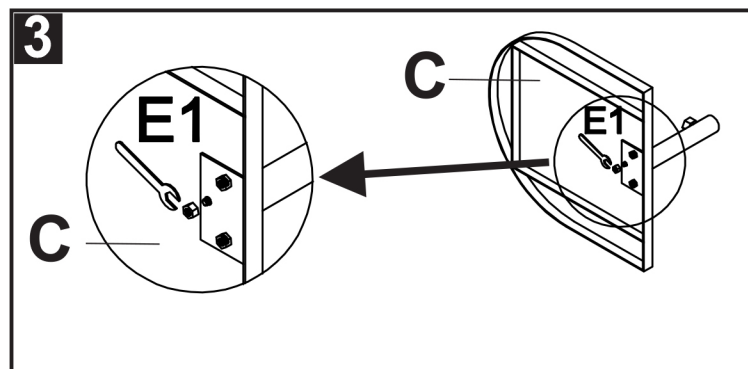
Before beginning the assembly of the product, make sure all parts are present. Compare the parts with the package contents list and hardware contents list. If any parts are missing or damaged, do not attempt to assemble the product. Tool required for assembly (included): Wrench.



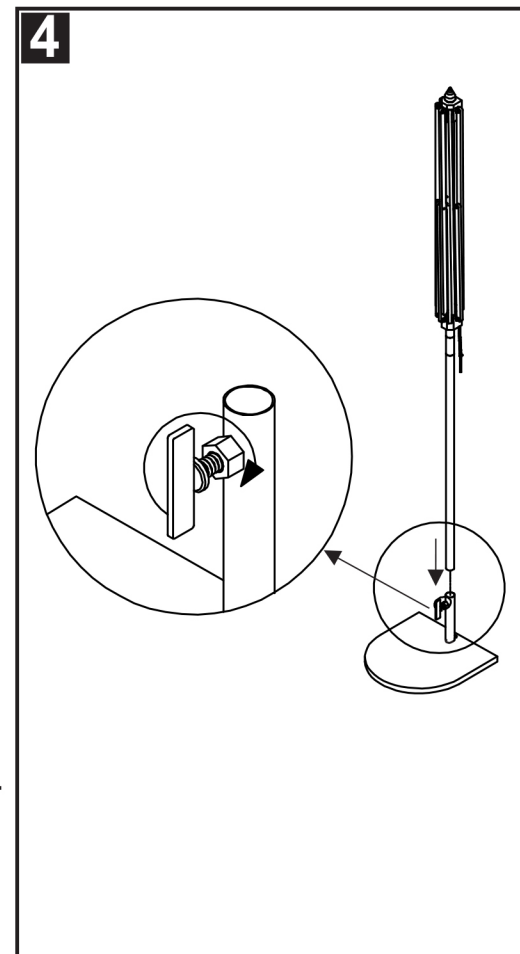
Step 1: attach the pole umbrella (B) to the top umbrella (A) shown on the picture.



Step 2: attach the connect part (D) to the umbrella base (C) as shown on the picture.



Step 3: tighten the connect part (D) to umbrella (C) base by using the wrench (E1) as shown on the picture.



Step 4: Turn the bolt to keep the umbrella stand on the base as shown on the picture.

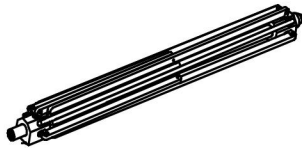
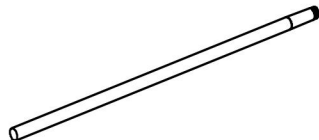
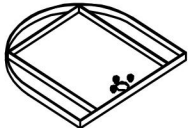
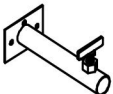

## CARE AND MAINTENANCE

Store outdoor furniture indoors or cover well when it is not in use. Dust regularly with small brush or vacuum. Spills should be taken care of immediately before they harden or stain with a slightly dampened sponge.

## NOTICE

Please make sure that you have all parts indicated before you begin assembly of this item.

### Part List and Hardware List

PIECE	DESCRIPTION	PICTURE	QUANTITY
<b>A</b>	Top umbrella		<b>1x</b>
<b>B</b>	Pole umbrella		<b>1x</b>
<b>C</b>	Base umbrella		<b>1x</b>
<b>D</b>	Connect part		<b>1x</b>
<b>E1</b>	Wrench		<b>1x</b>

Product Dimension: 4.39 "W x 88.61" D x 102.36"H

