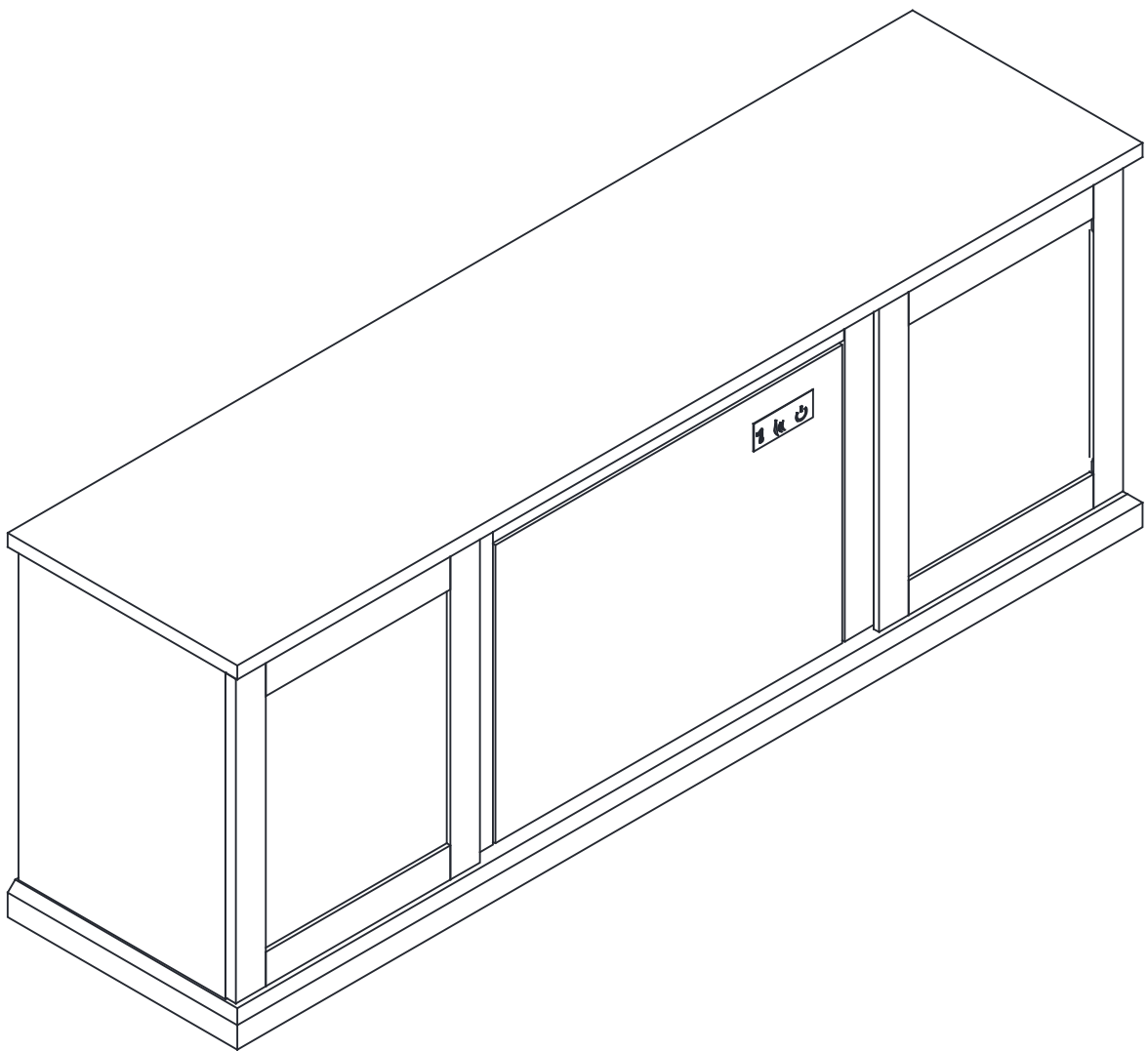


# FIREPLACE TV STAND



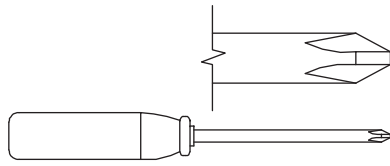
# Table of Contents

# Assembly Tools Required

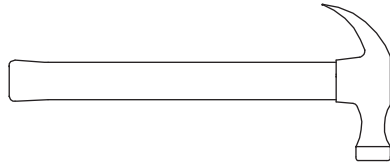
Part Identification 3

Hardware Identification 4

Assembly Steps 5-19



No. 2 Phillips Screwdriver  
Tip Shown Actual Size



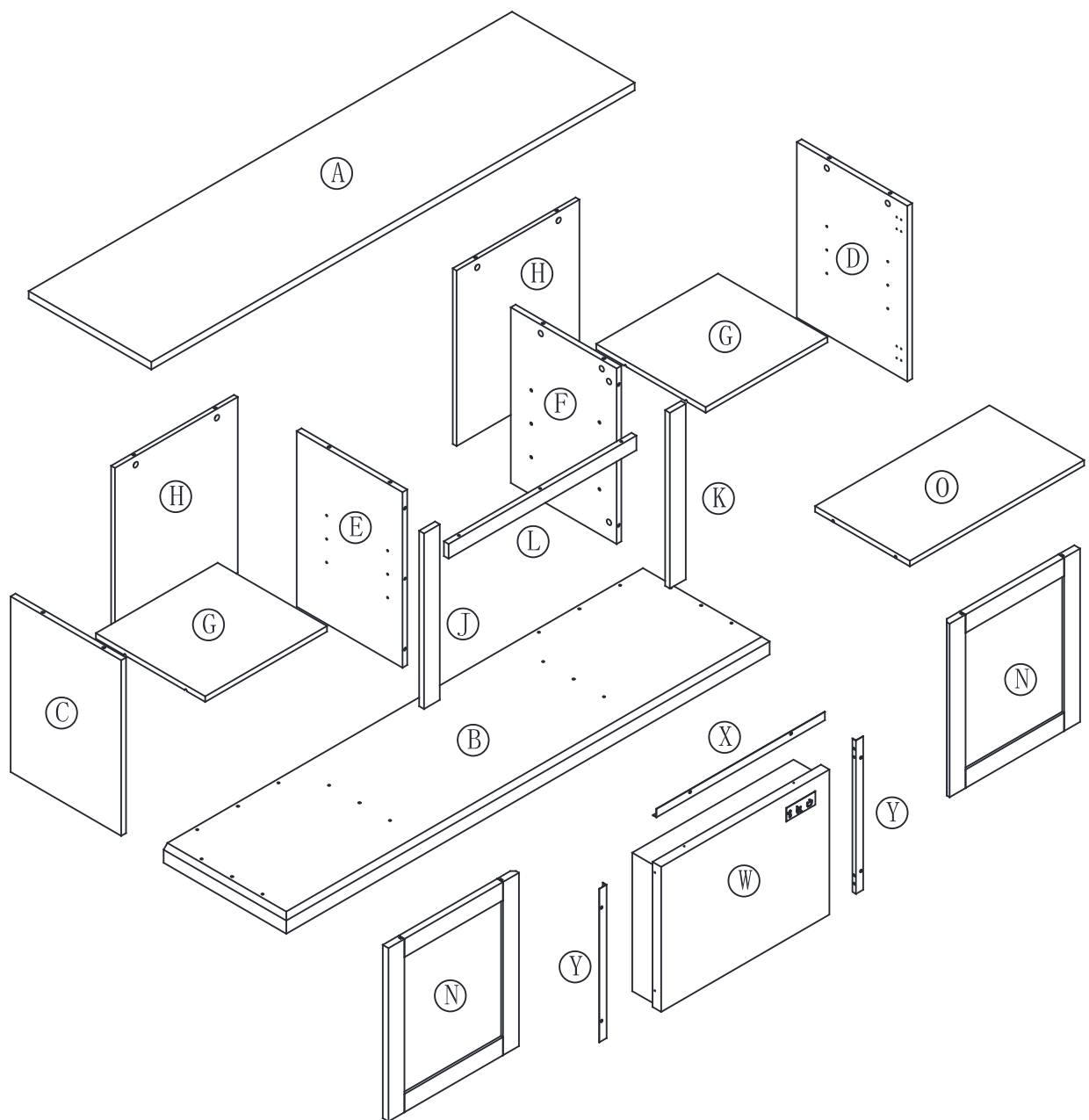
Hammer  
Not actual size 😊

# Part Identification

◆ While not all parts are labeled, some of the parts will have a label or an inked letter on the edge to help distinguish similar parts from each other. Use this part identification to help identify similar parts.

A	TOP (1)
B	BOTTOM (1)
C	LEFT END (1)
D	RIGHT END (1)
E	LEFT UPRIGHT (1)
F	RIGHT UPRIGHT (1)

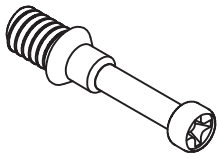
G	ADJUSTABLE SHELF (2)
H	BACK (2)
J	LEFT MOLDING (1)
K	RIGHT MOLDING (1)
L	TOP MOLDING (1)
N	DOOR (2)
O	MIDDLE SHELF (1)



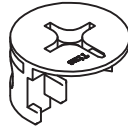
# Hardware Identification

◆ Screws are shown actual size. You may receive extra hardware with your unit.

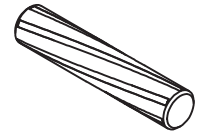
1 CAM SCREW -16



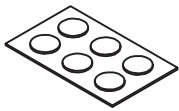
2 HIDDEN CAM - 16



3 WOOD DOWEL-8



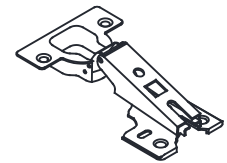
4 APPLIQUE CARD- 4



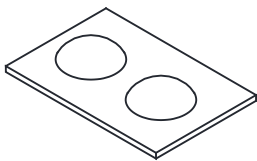
5 METAL PIN- 12



6 HINGE- 4



7 BUMPER CARD- 1



8 LOWER BLACK 2-3/8" PAN HEAD SCREW - 12



9 BLACK 1-3/4" PAN HEAD SCREW - 3



10 1/2" FIAT HEAD SCREW-24



11 WARNING LABEL - 1



ZZ 3/8" PAN HEAD SCREW-15

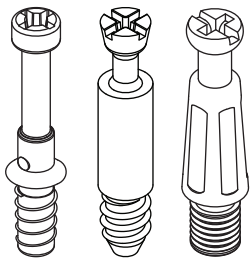


(Refer to the last step for proper location and application)

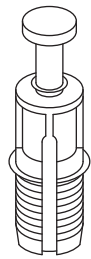
# Hardware Usage Guide

## HOW TO USE A HIDDEN CAM & CAM SCREW OR CAM DOWEL

1. NOTE: Various CAM SCREWS or a CAM DOWEL may be used.

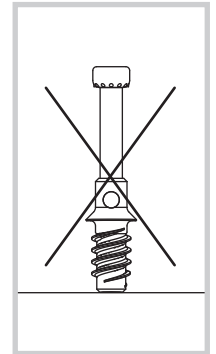
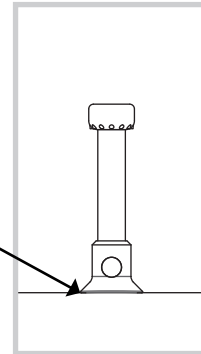


Cam Screws

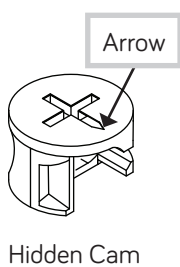


Cam Dowel

Turn the CAM SCREW or gently tap the CAM DOWEL until the shoulder is against the surface of the part.

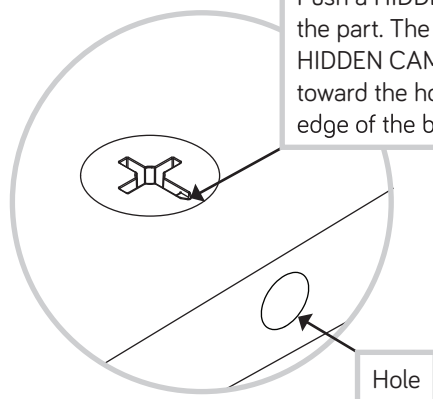


- 2.



Arrow

Hidden Cam



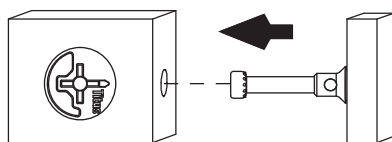
Push a HIDDEN CAM into the part. The arrow in the HIDDEN CAM must point toward the hole in the edge of the board.

Hole

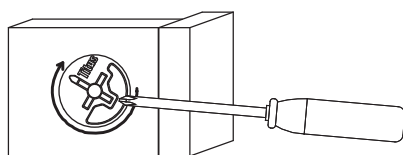
- 3.

Insert the CAM SCREW or CAM DOWEL into the HIDDEN CAM. Tighten the HIDDEN CAM.

1

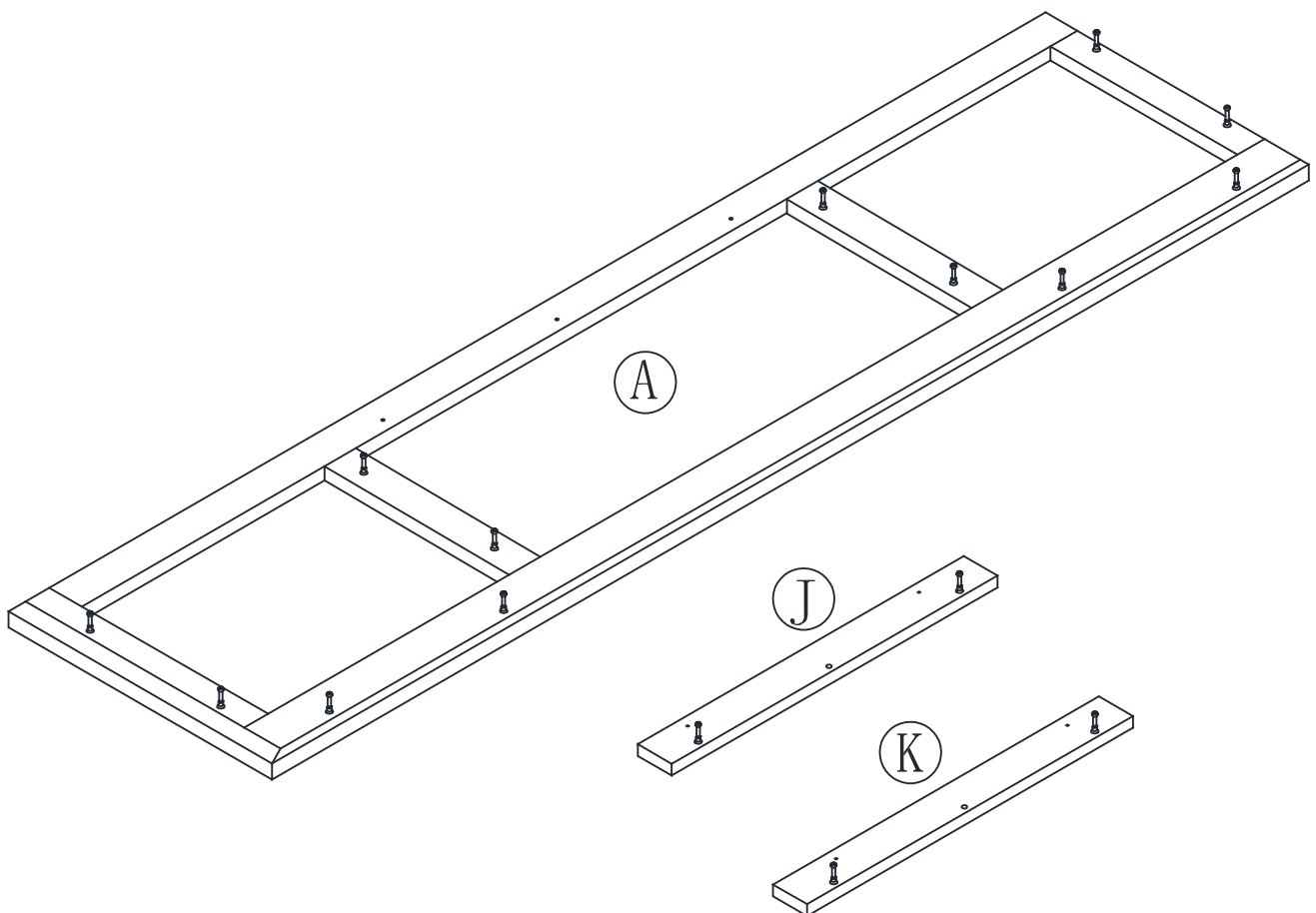
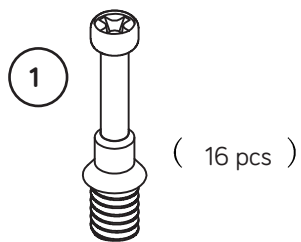
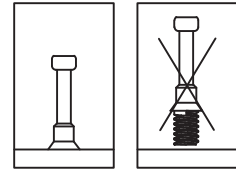


2



# Step 1

- ◆ Assemble your unit on a carpeted floor or on the empty carton to avoid scratching your unit or the floor.
- ◆ Turn sixteen CAM SCREWS (1) into the TOP (A) and MOLDINGS (J and K).

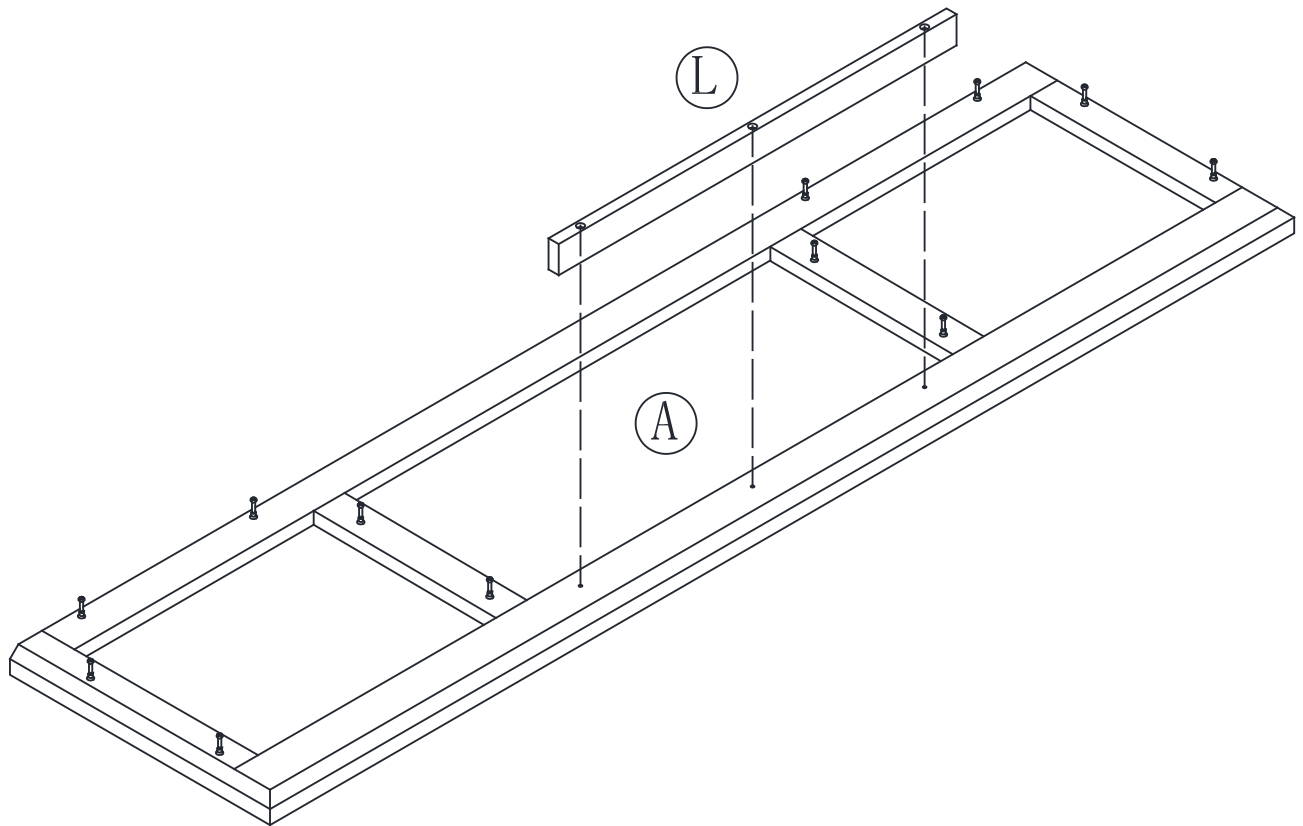
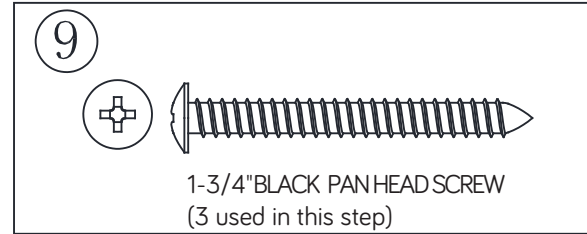




# Step 3

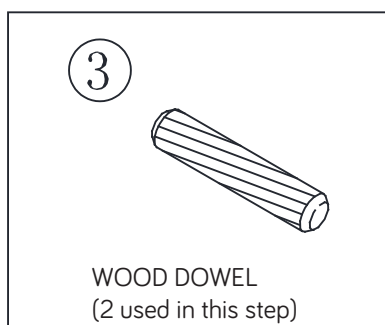
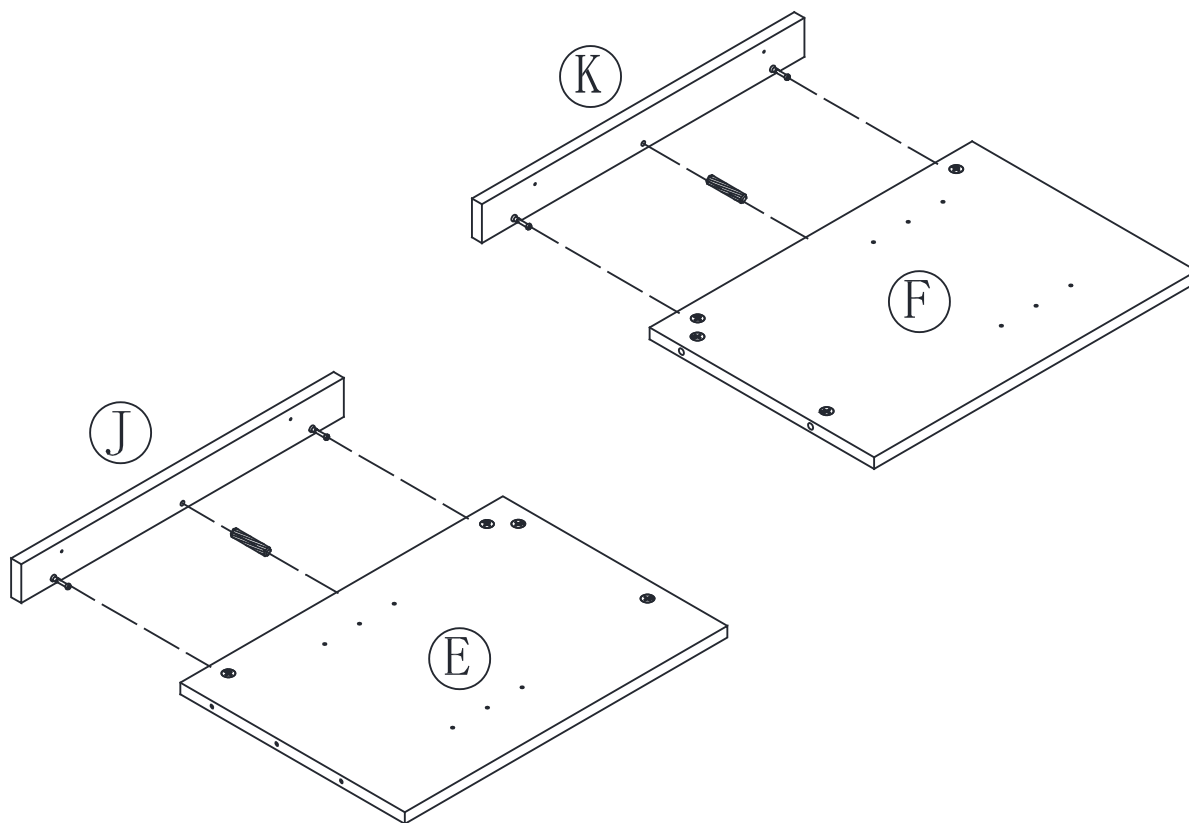
Fasten the TOP MOLDING (L) to the TOP (A).

- ◆ Use three BLACK 1-3/4" PAN HEAD SCREWS through the MOLDING and align to the holes in the top before you fasten.



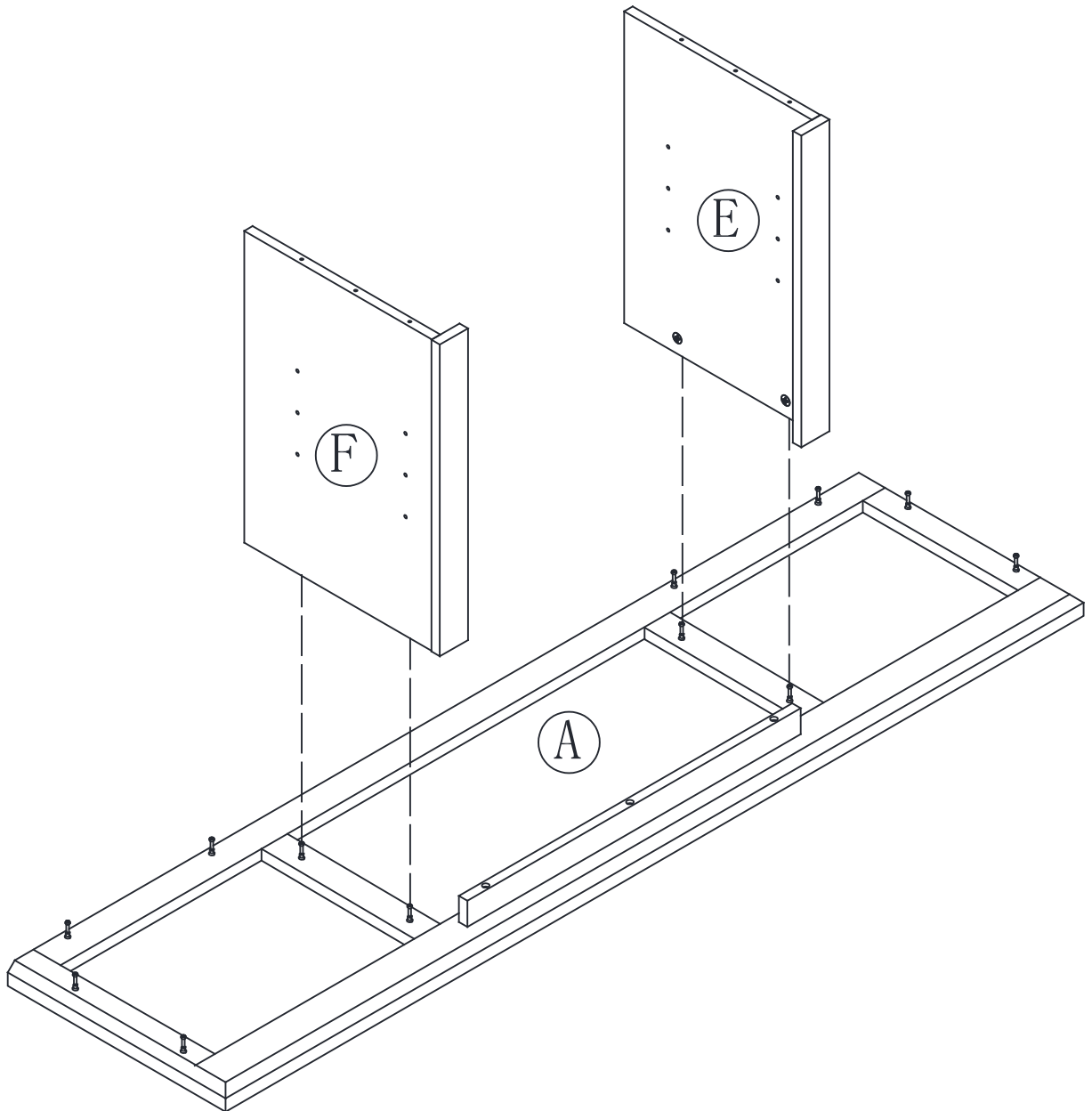
# Step 4

- ◆ Push the WOOD DOWELS (3) into the exact hole shown in the UPRIGHTS (E and F).
- ◆ Fasten the MOLDINGS (J and K) to the UPRIGHTS (E and F). Tighten four HIDDEN CAMS



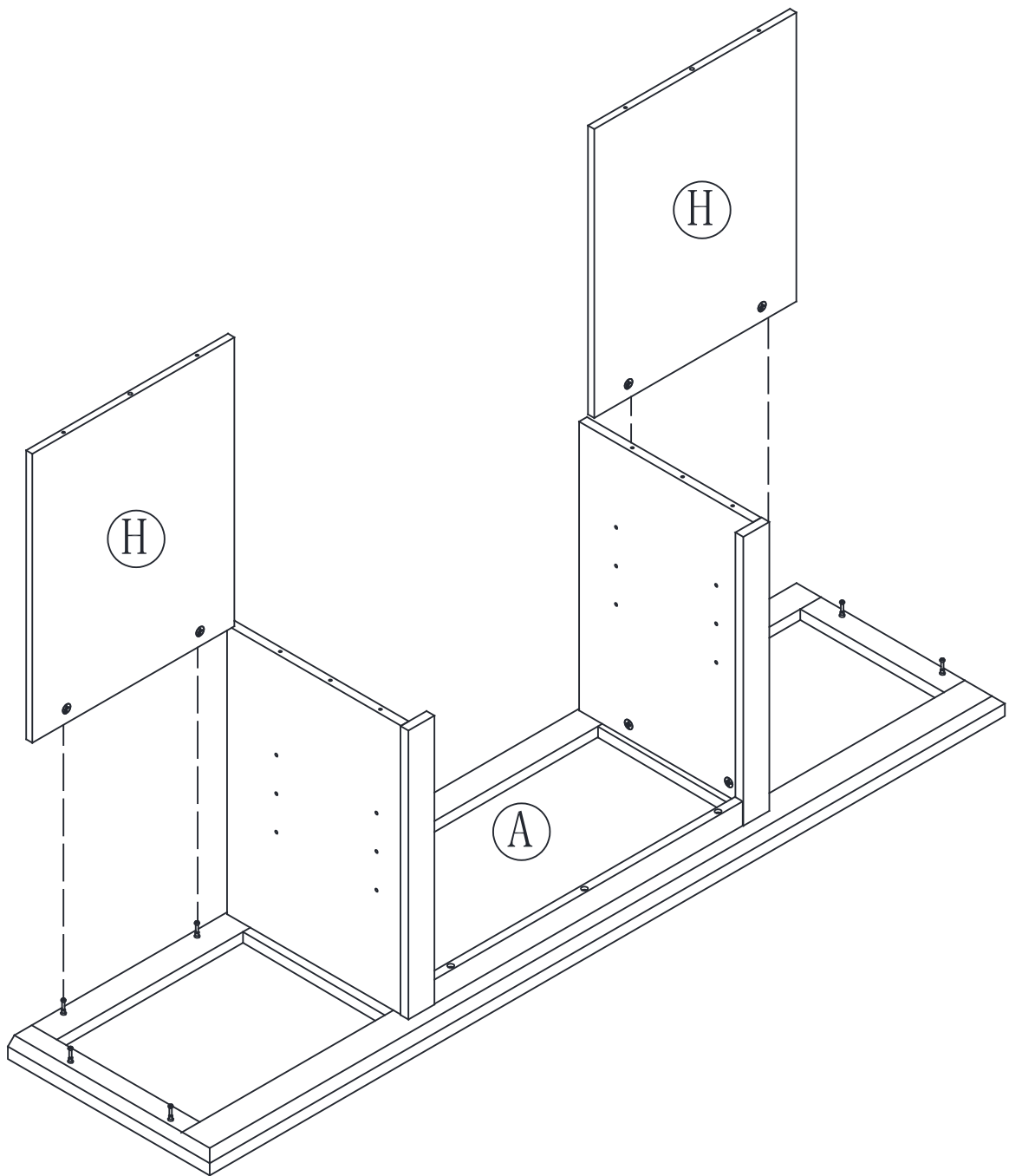
# Step 5

- ◆ Fasten the UPRIGHTS (E and F) to the TOP (A). Tighten four HIDDEN CAMS.



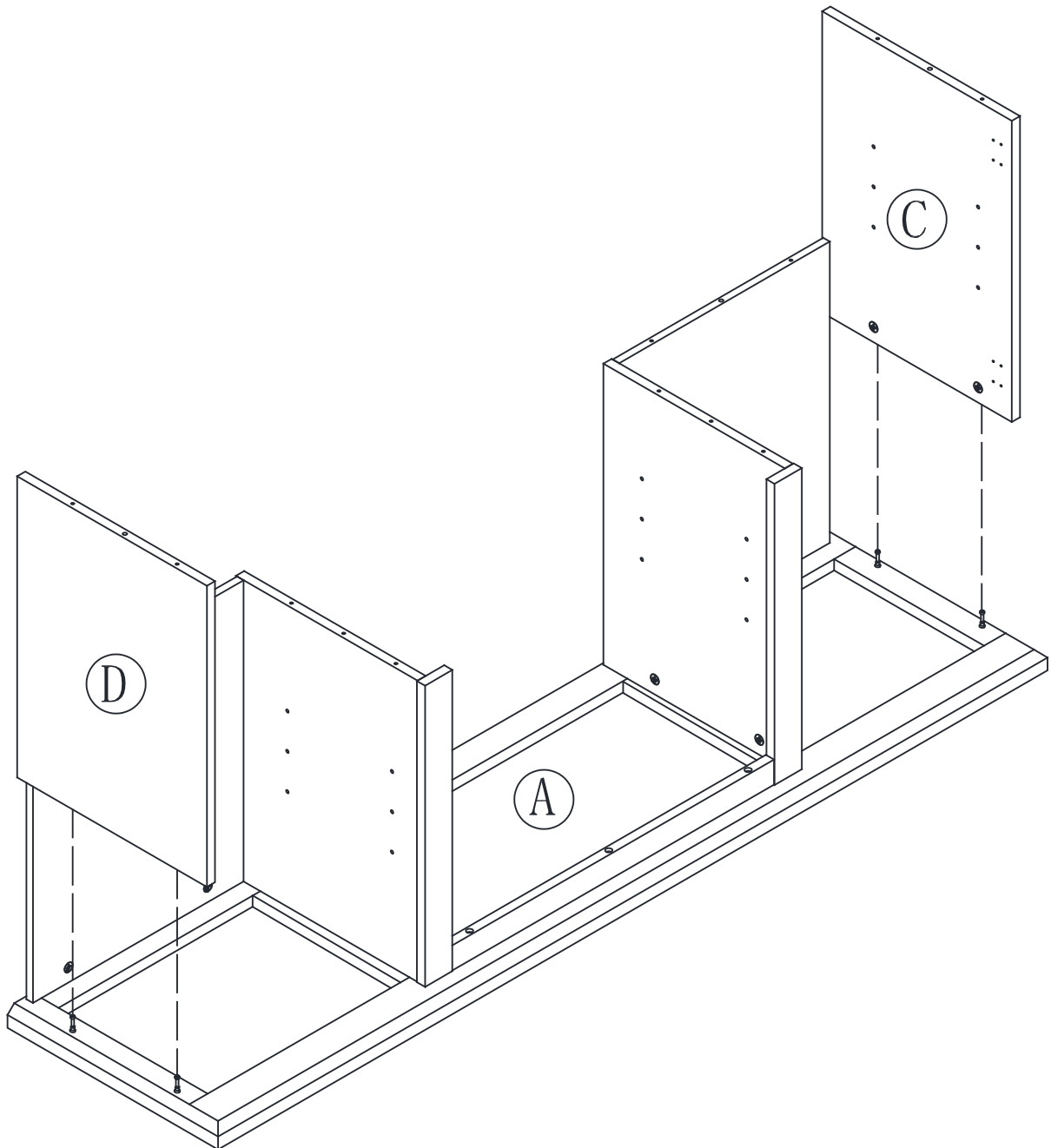
# Step 6

- ◆ Fasten the BACKS (H) to the TOP (A). Tighten four HIDDEN CAMS.



# Step 7

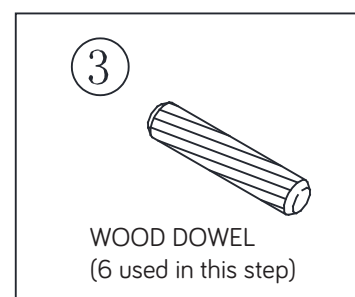
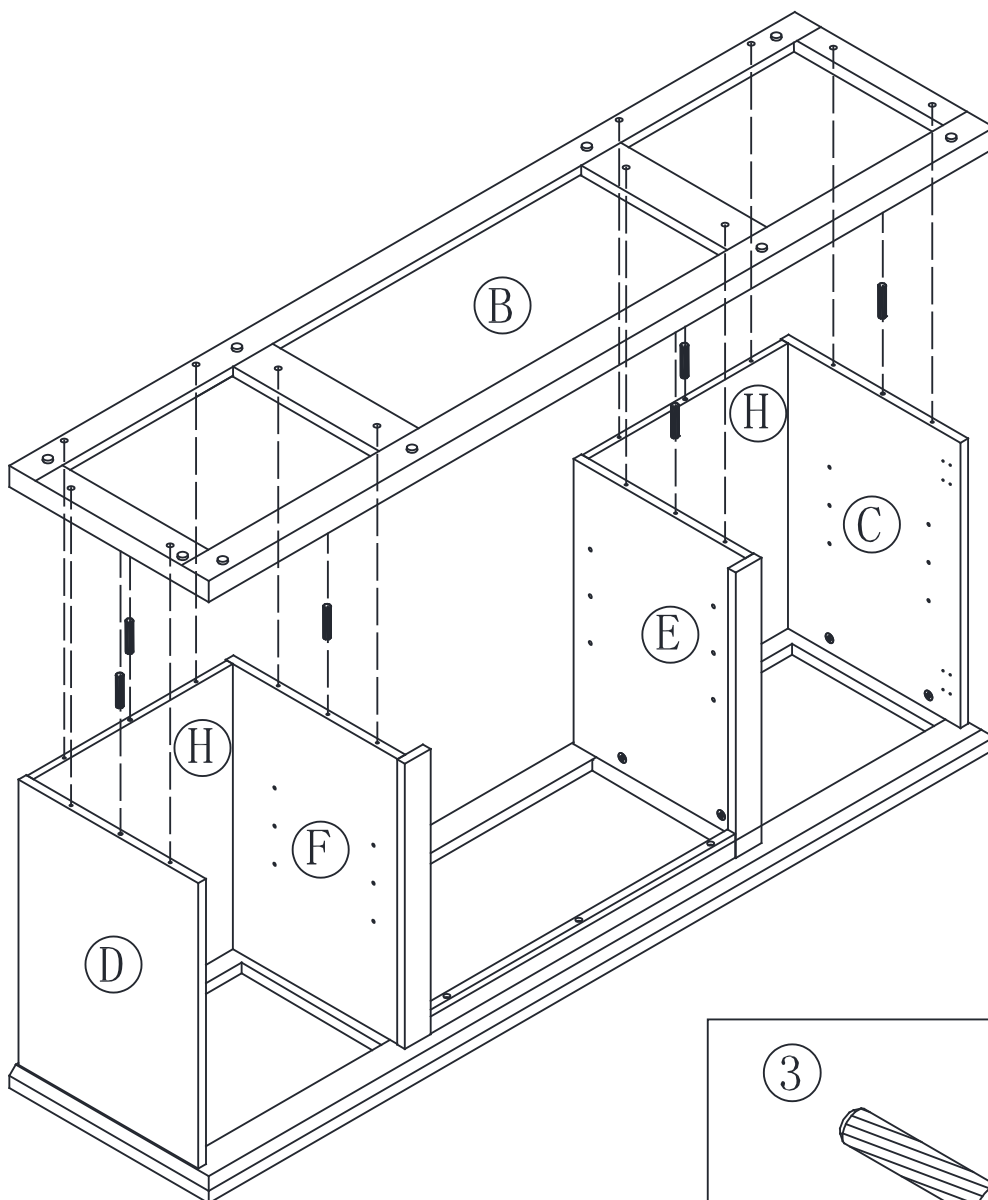
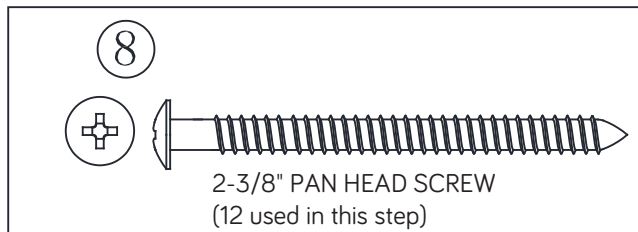
- ◆ Fasten the ENDS (C and D) to the TOP (A). Tighten four HIDDEN CAMS.



# Step 8

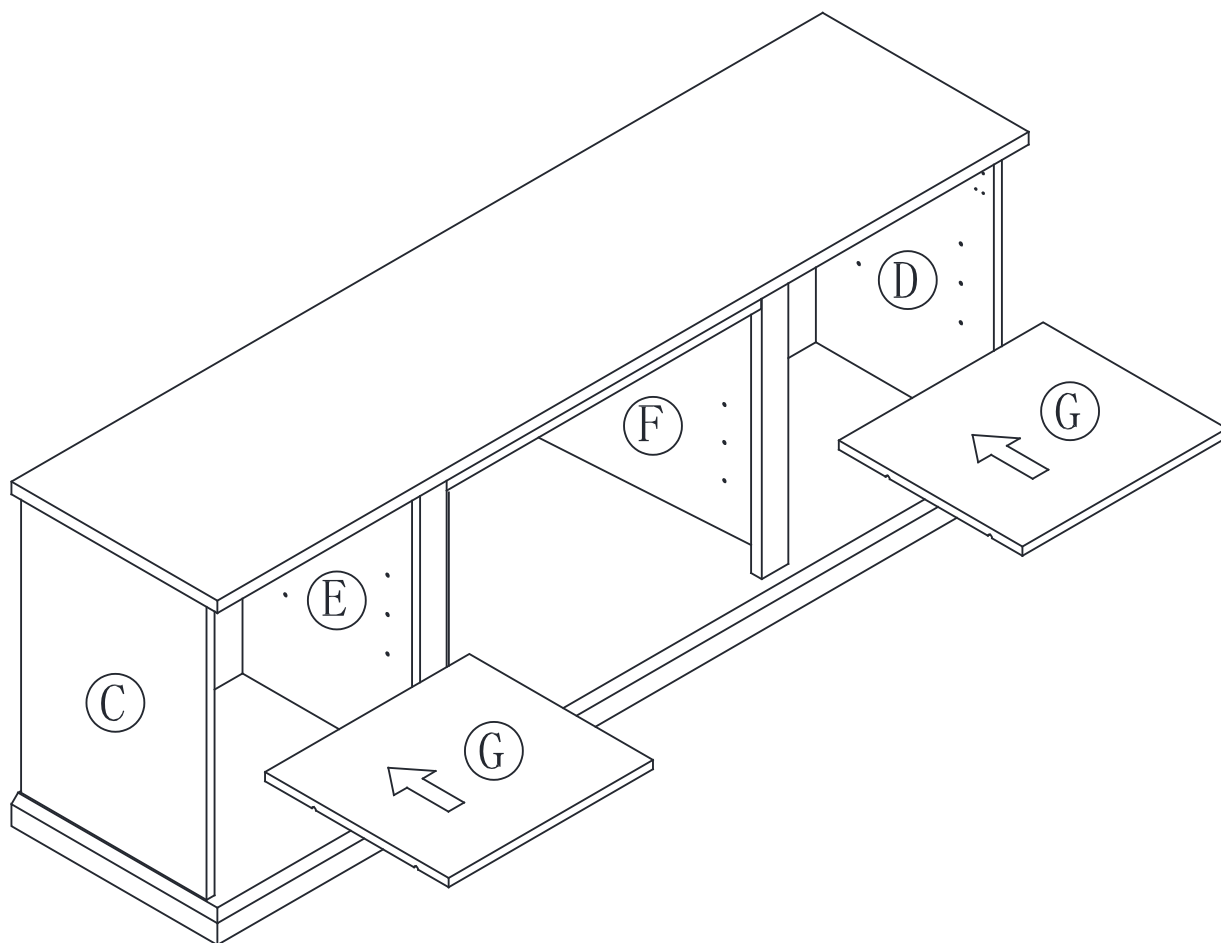
- ◆ Push the WOOD DOWELS (3) into the exact hole shown in the ENDS (C and D), BACKS (H) and UPRIGHTS (E and F).
- ◆ Fasten the BOTTOM (B) to the ENDS (C and D), UPRIGHTS (E and F) and the BACKS(H). Use twelve BLACK 2-3/8" PAN HEAD SCREWS (8).

NOTE: You should align each SCREW to the holes before completely tightening any of them.

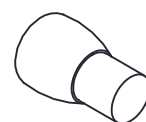


# Step 9

- ◆ Insert the METAL PINS (7) into the hole locations of your choice in the ENDS (D and C) and UPRIGHTS (F and E).
- ◆ Set the ADJUSTABLE SHELVES (G) onto the METAL PINS. BE is positioned as shown.



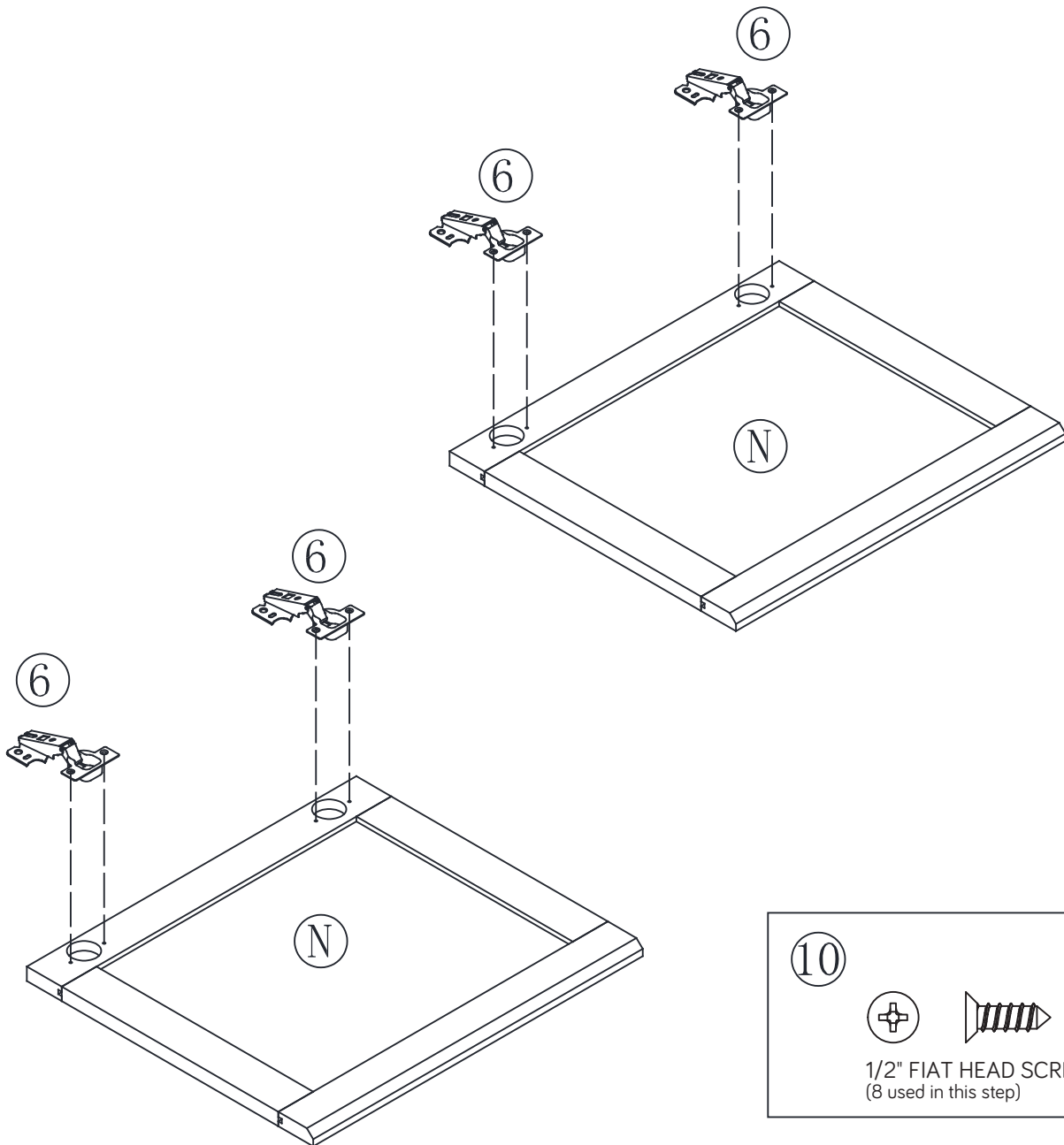
⑤



( 8 PCS )

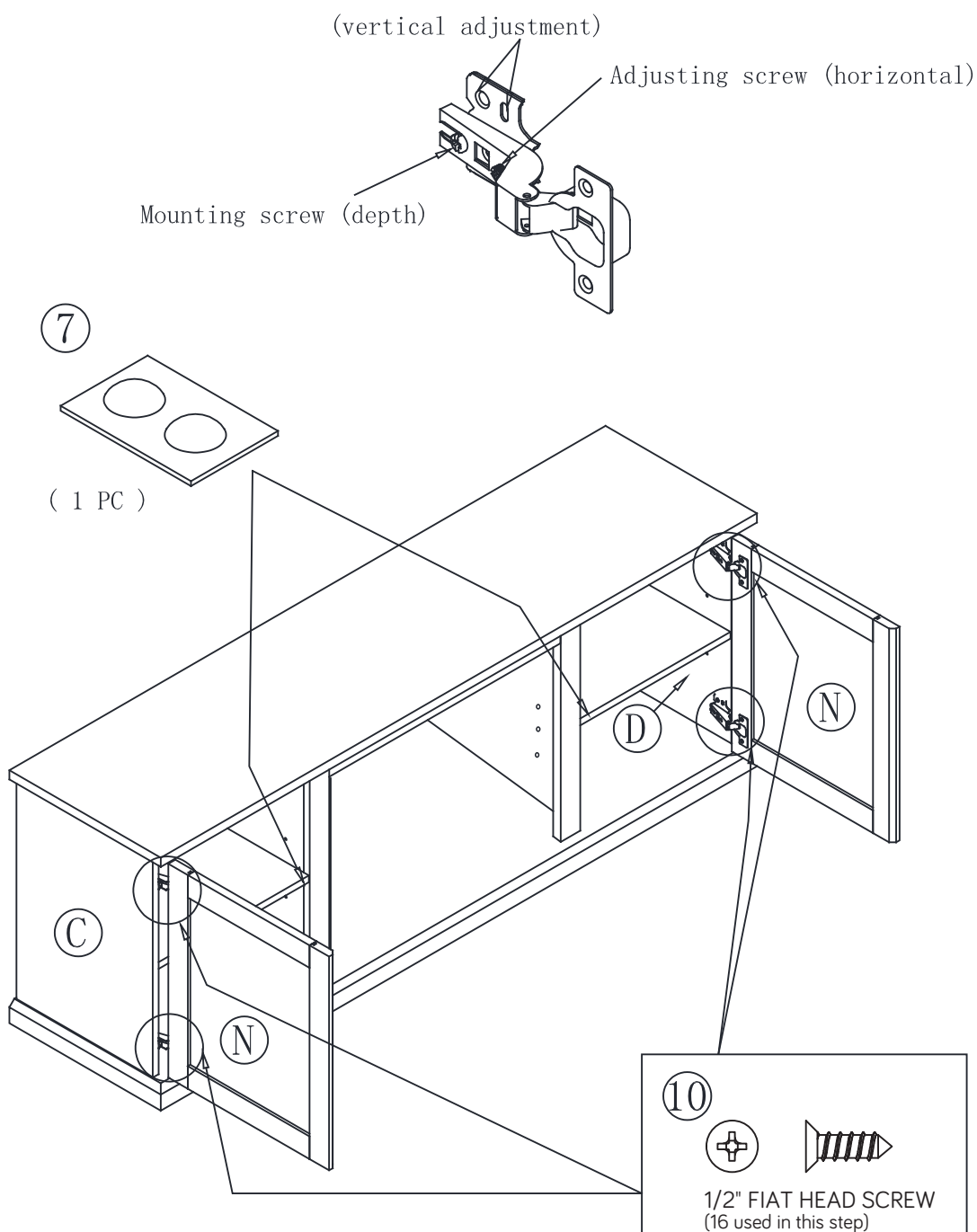
# Step 10

- ◆ Fasten four HINGES (6) to a DOOR (N). Use eight 1/2" FLAT HEAD SCREWS (10).
- ◆ Repeat this step for the remaining DOOR (N).



# Step 11

- ◆ Before fastening the DOORS to your unit, be sure the mounting screw is against the stops as shown in the right diagram. If it isn't, loosen the adjusting screw and mounting screw to slide it against the stops. Then tighten the mounting screw.
- ◆ Fasten the DOORS (N) to the ENDS (C and D).
- ◆ Use sixteen 1/2" FLAT HEAD SCREWS (10). Peel two BUMPERS from the BUMPER CARD (7) and stick them onto the SHELVES (D) in the locations shown.



# Step 12

- ◆ Please go to step 13 if you want to put the middle shelf (O) as show in diagram #1 or go to step 15 if you want to put the insert as show in diagram #2.

Diagram #1

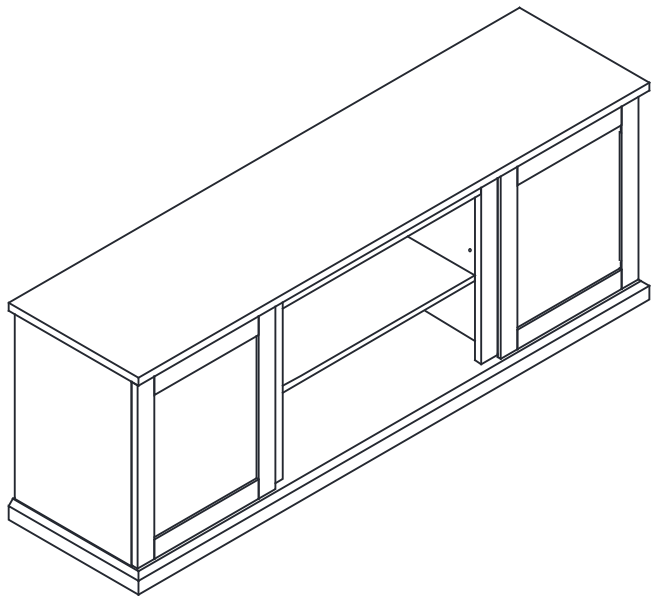
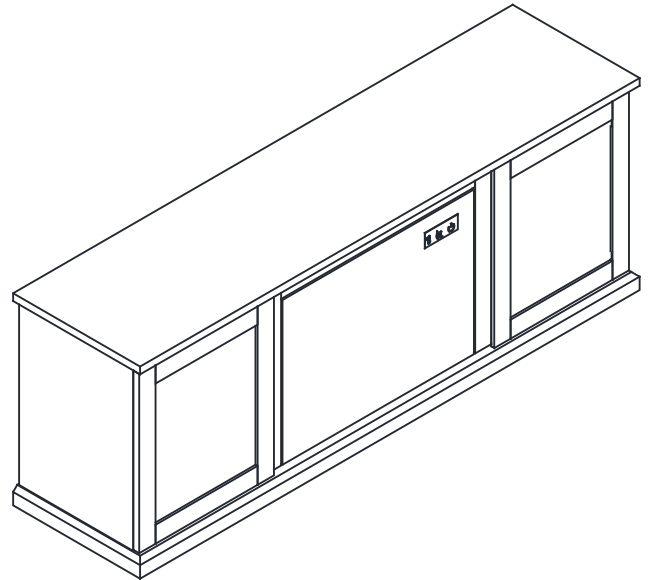
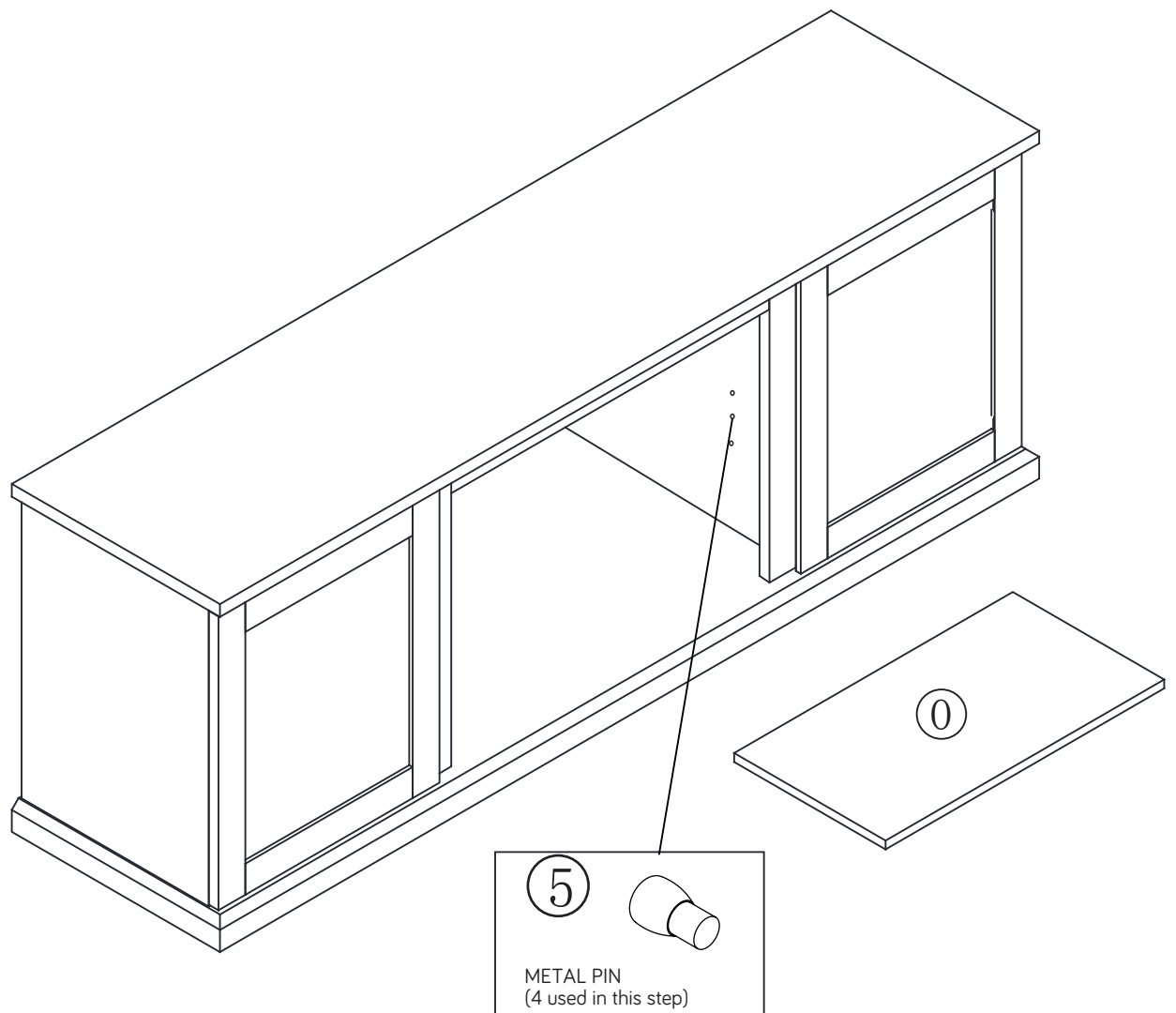


Diagram #2



# Step 13

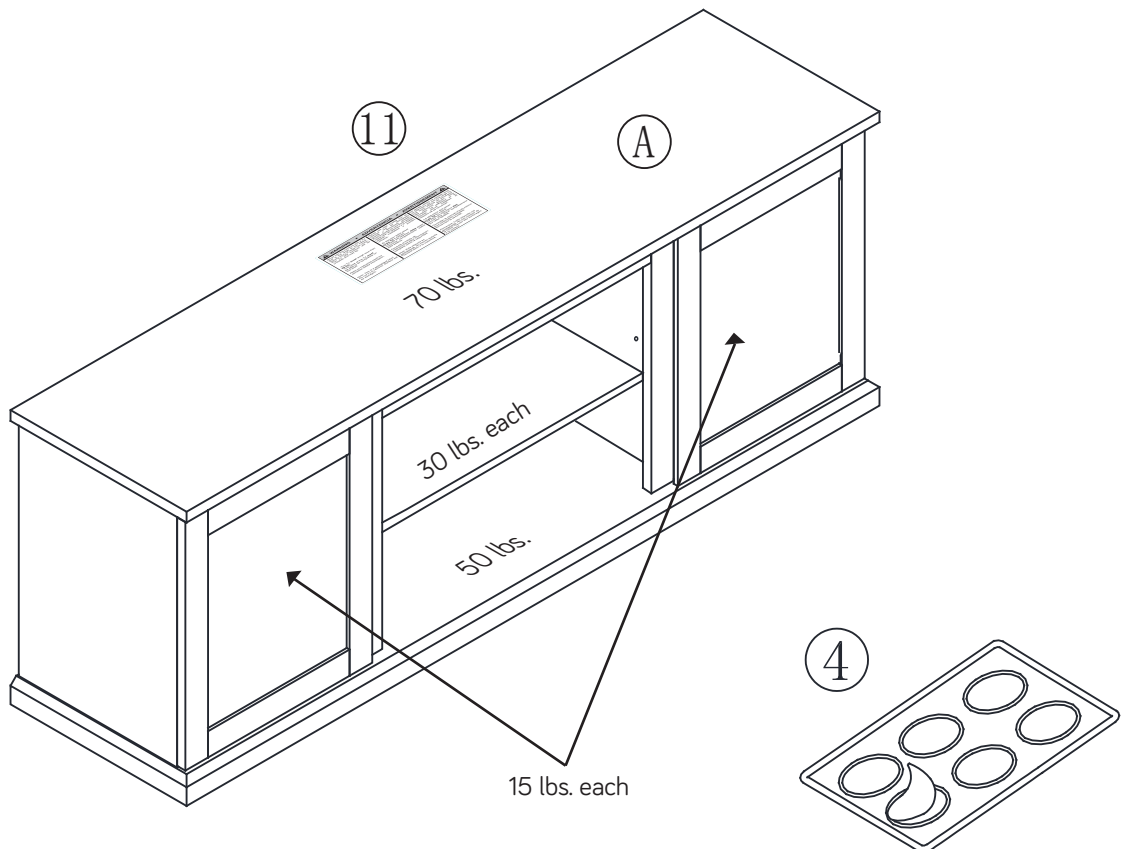
- ◆ Insert the METAL PINS (5) into the hole locations of your choice in the UPRIGHTS (E and F).
- ◆ Set the ADJUSTABLE SHELF (O) onto the METAL PINS.



# Step 14

- ◆ Peel APPLIQUES from the APPLIQUE CARDS (4) and stick them onto each visible HIDDEN CAM.
- ◆ This completes assembly. Clean with a damp cloth. Wipe dry.
- ◆ Apply the WARNING LABEL (11) to the TOP (A). You should be able to read the label when the TV is removed from the unit. When the TV is in place, it should hide the label. Peel off the backing and apply the label as shown in the diagram.
- ◆ NOTE: This is a permanent label intended to last for the life of the product. Once applied, do not try to remove it.
- ◆ This completes assembly. Clean with a damp cloth. Wipe dry.

⚠ WARNING	• ADVERTENCIA	• AVERTISSEMENT
<p>Never use this furniture with a TV that is too large or too heavy. Severe injury or death can occur. The TV and furniture will be unstable and may tip.</p> <p>-The TV <b>must</b> weigh less than <b>70 lbs.</b> -The base of the TV <b>must</b> be able to sit completely on this shelf.</p> <p>Refer to instruction book for complete safety information.</p> <p><i>Note: This is a <u>permanent</u> label. Do not try to remove. Surface will be damaged.</i></p>	<p>Nunca use este mueble con un televisor que es demasiado grande o demasiado pesado. Podría resultar en una lesión grave hasta fatal. El televisor y el mueble estarán inestables y pueden volcarse.</p> <p>-El televisor debe pesar <b>31,75 kg</b> o menos. -La base del televisor <b>debe</b> poder colocarse completamente sobre este estante.</p> <p>Consulte el folleto de instrucciones para información completa sobre la seguridad.</p> <p><i>Nota: Esta etiqueta es <u>permanente</u>. No intente quitarla. Causará daño a la superficie.</i></p>	<p>Ne jamais utiliser ce meuble avec un téléviseur qui soit trop large ou trop lourd. Risque de provoquer des blessures graves, voire mortelles. Le téléviseur et le meuble seront instables et risquent de se renverser.</p> <p>-Le téléviseur doit peser <b>31,75 kg</b> ou moins. -Le socle du téléviseur <b>doit</b> pouvoir être placé complètement sur cette tablette.</p> <p>Consulter le manuel d'instructions pour information complète concernant la sécurité.</p> <p><i>Remarque: Cette étiquette est <u>permanente</u>. Ne pas essayer de la retirer. Causer des dommages à la surface.</i></p>



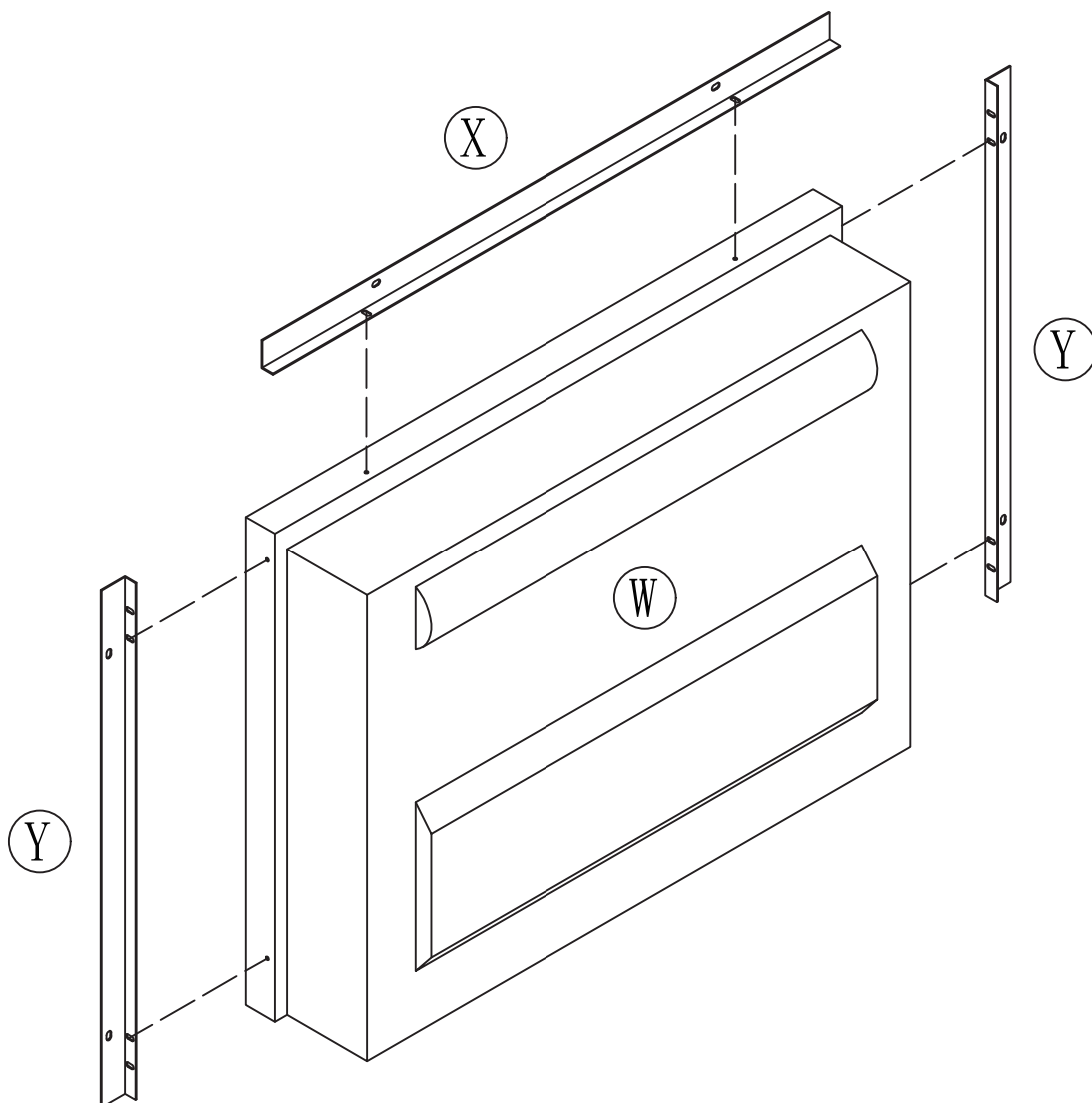
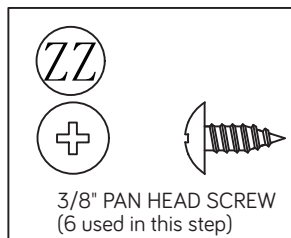
# Step 15

- ◆ Fasten the BRACKETS (X and Y) to the FIREPLACE (W). Use six 3/8" FLAT HEAD SCREWS (ZZ).

## **WARNING**

### CAUTION!!

Please read all FIREPLACE instructions prior to installing or removing it from your unit.  
Do not plug the FIREPLACE into the power supply until it is installed and your unit is in its final position. Do not move the FIREPLACE while it is plugged into a power supply. Unplug it before moving it.

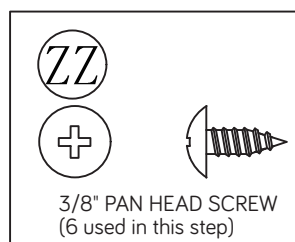
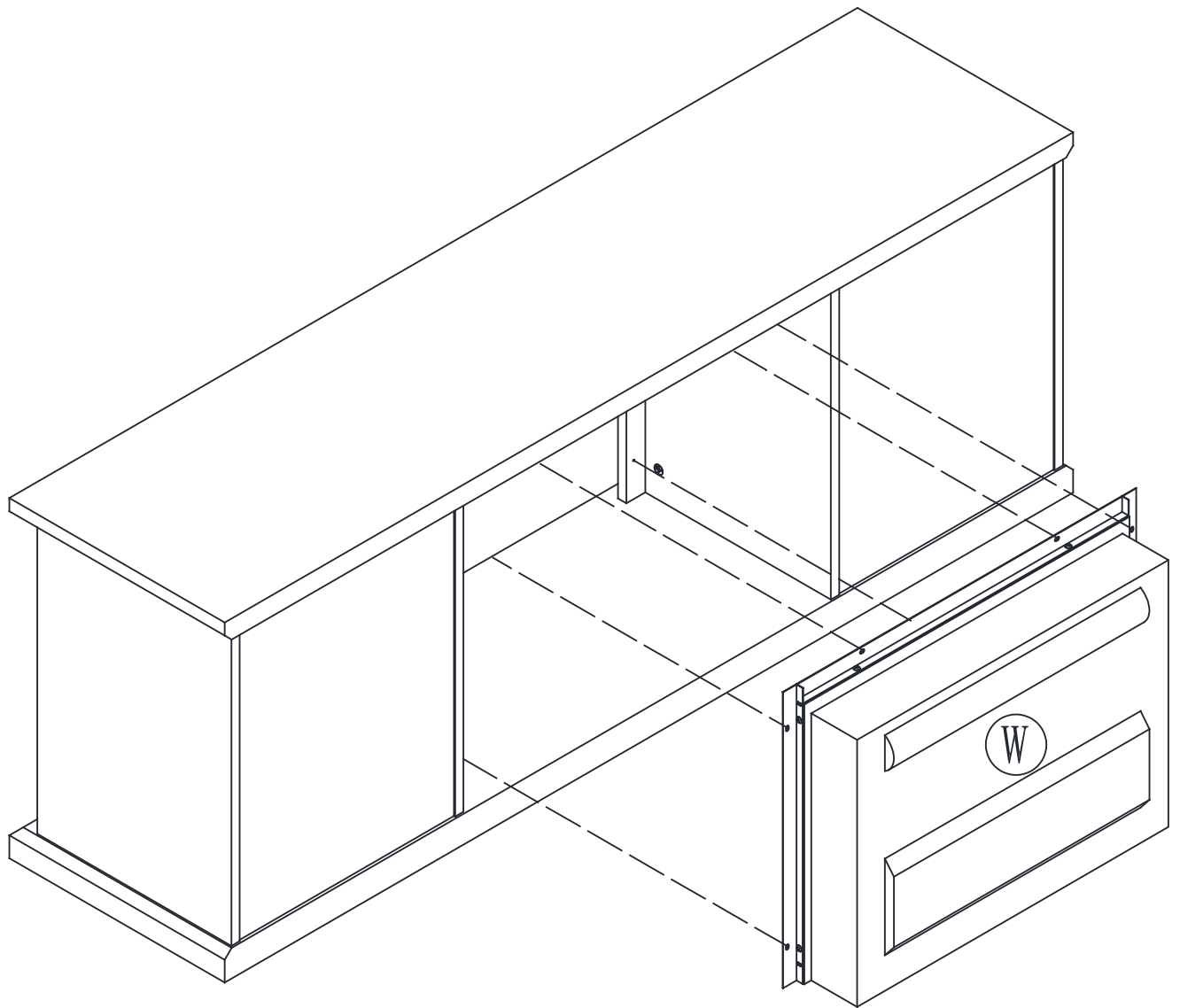


# Step 16

- ◆ Insert the FIREPLACE (W) in through the opening in the back of your unit.

Fasten the FIREPLACE (W) to the MOLDINGS (J, K and L).

- ◆ Use two BLACK 3/8" PAN HEAD SCREWS (ZZ) through the BRACKETS on the FIREPLACE and into the holes in the MOLDINGS.



# Step 17

- ◆ Peel APPLIQUES from the APPLIQUE CARDS (4) and stick them onto each visible HIDDEN CAM.
- ◆ This completes assembly. Clean with a damp cloth. Wipe dry.
- ◆ Apply the WARNING LABEL (11) to the TOP (A). You should be able to read the label when the TV is removed from the unit. When the TV is in place, it should hide the label. Peel off the backing and apply the label as shown in the diagram.
- ◆ NOTE: This is a permanent label intended to last for the life of the product. Once applied, do not try to remove it.
- ◆ This completes assembly. Clean with a damp cloth. Wipe dry.

⚠ WARNING	• ADVERTENCIA	• AVERTISSEMENT	⚠
Never use this furniture with a TV that is too large or too heavy. Severe injury or death can occur. The TV and furniture will be unstable and may tip.	Nunca use este mueble con un televisor que es demasiado grande o demasiado pesado. Podría resultar en una lesión grave hasta fatal. El televisor y el mueble estarán inestables y pueden volcarse.	Ne jamais utiliser ce meuble avec un téléviseur qui soit trop large ou trop lourd. Risque de provoquer des blessures graves, voire mortelles. Le téléviseur et le meuble seront instables et risquent de se renverser.	
-The TV <b>must</b> weigh less than <b>70 lbs.</b> -The base of the TV <b>must</b> be able to sit completely on this shelf.	-El televisor debe pesar <b>31,75 kg</b> o menos. -La base del televisor <b>debe</b> poder colocarse completamente sobre este estante.	-Le téléviseur doit peser <b>31,75 kg</b> ou moins. -Le socle du téléviseur <b>doit</b> pouvoir être placé complètement sur cette tablette.	
Refer to instruction book for complete safety information.	Consulte el folleto de instrucciones para información completa sobre la seguridad.	Consulter le manuel d'instructions pour information complète concernant la sécurité.	
<i>Note: This is a <u>permanent</u> label. Do not try to remove. Surface will be damaged.</i>	<i>Nota: Esta etiqueta es <u>permanente</u>. No intente quitarla. Causará daño a la superficie.</i>	<i>Remarque: Cette étiquette est <u>permanente</u>. Ne pas essayer de la retirer. Causera des dommages à la surface.</i>	

