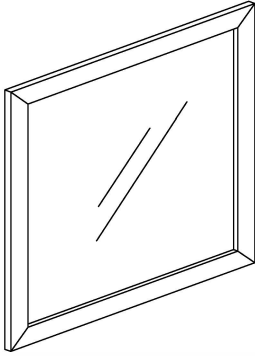


# ASSEMBLY INSTRUCTION

## DRESSER / LA COMMODE & MIRROR / MIROIR



Thank you for purchasing the product. Please take time to read and follow the instruction below. Check that you have all parts and hardware before assembly. Parts apparently missing are often found in the packing materials. If you do not have all the parts listed, have your dealer contact us and they will be sent to you immediately.

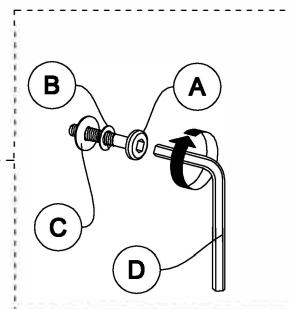
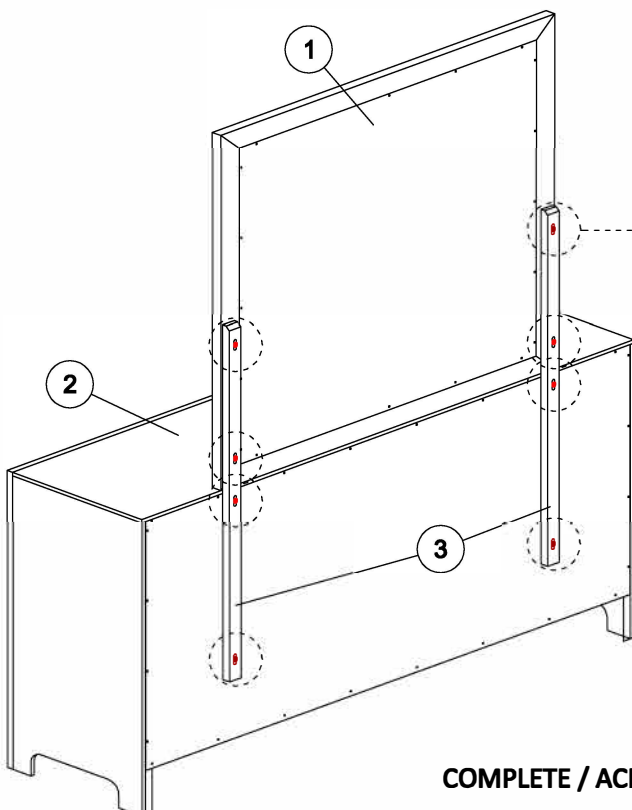


It is recommended to install protective pads under all legs and supports to avoid damage or scratches when placing furniture on a wood floor or other hard surface, and to limit indentation and prevent discoloration if placing on carpet.

PART LIST / LISTE DE PIÈCES			
No	Sketch	Description	Quantity
1		MIRROR / MIROIR	1 PC
2		DRESSER / LA COMMODE	1 PC
3		MIRROR SUPPORT RAIL / SUPPORT	2 PCS

HARDWARE LIST / LISTE DE LA QUINCAILLERIE				
No	Description	Size	Sketch	Quantity
A	JCBC BOLT / BOULON	M6 x 40mm		8 PCS
B	SPRING WASHER / RONDELLE D'ARRÊT	M6		8 PCS
C	FLAT WASHER / RONDELLE PLATE	M6		8 PCS
D	ALLEN KEY / CLÈ ALLEN	M4		1 PC

NOTE: You will also need a Philip screw driver (not provided) / Remarque: vous aurez également besoin d'un tournevis Philip (non fourni)



### STEP 1 / ÉTAPE 1

Fix mirror on top of dresser. Insert JCBC bolt (A) into the holes at the mirror support. Tighten the support rail to the mirror & dresser with JCBC bolt (A) using Allen key (D).

Fixer le miroir sur la commode. Insérez JCBC gras (A) dans les trous du support de miroir. Serrez le rail de support au miroir et à la commode avec JCBC bold (A) à l'aide d'une clé Allen (D).

COMPLETE / ACHÉVÉ