

# Assembly Instructions

---

## Congratulations on your new piece!

Assembly your furniture should be as easygoing as enjoying the finished product.

Our instructions are simple, straightforward and easy to follow.  
That means less stress during assembly and more time to unwind in your newly furnished sanctuary.

---

## Before you begin:

1. Email us or call us with any questions or to order missing supplies.
2. Gather all necessary tools prior to assembly.

## Assembly tips:

1. Remove hardware from the box and sort by size. Place all pieces on a soft, flat surface to avoid scratches on floors or other furniture.
2. Check to see that all hardware and parts are included before beginning assembly.
3. Follow the attached instructions in order for fast and easy assembly.

## Warning:

1. Do not attempt to repair or modify parts that are broken or defective.  
Please contact us for assistance.
2. This product is for home use only and not intended for commercial use.

## table of contents

---

introduction	2
hardware	4
parts list	5
assembly	7-8

hardware

---

(H1)x8  
bolt(M8X60MM)



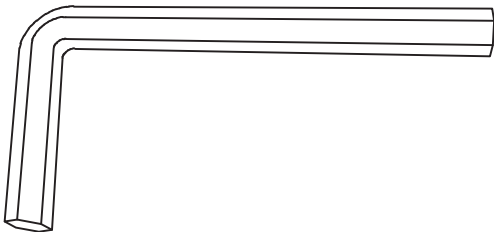
(H2)x 8  
spring washer



(H3)x8  
flat washer



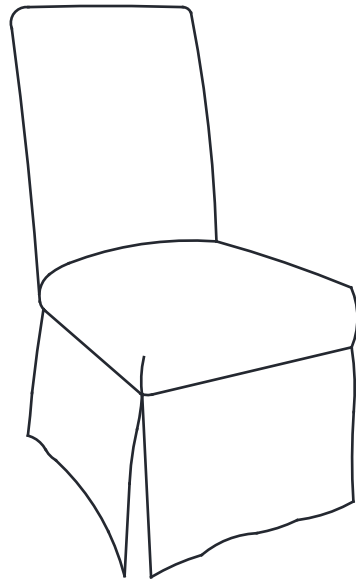
(H4)x1  
hex wrench(M6)



# ITEM DESCRIPTION QUANTITY

---

A	Upholestery	1
F	Front legs	2
BL	Left Back leg	1
BR	Right Back Leg	1



A



Fx2

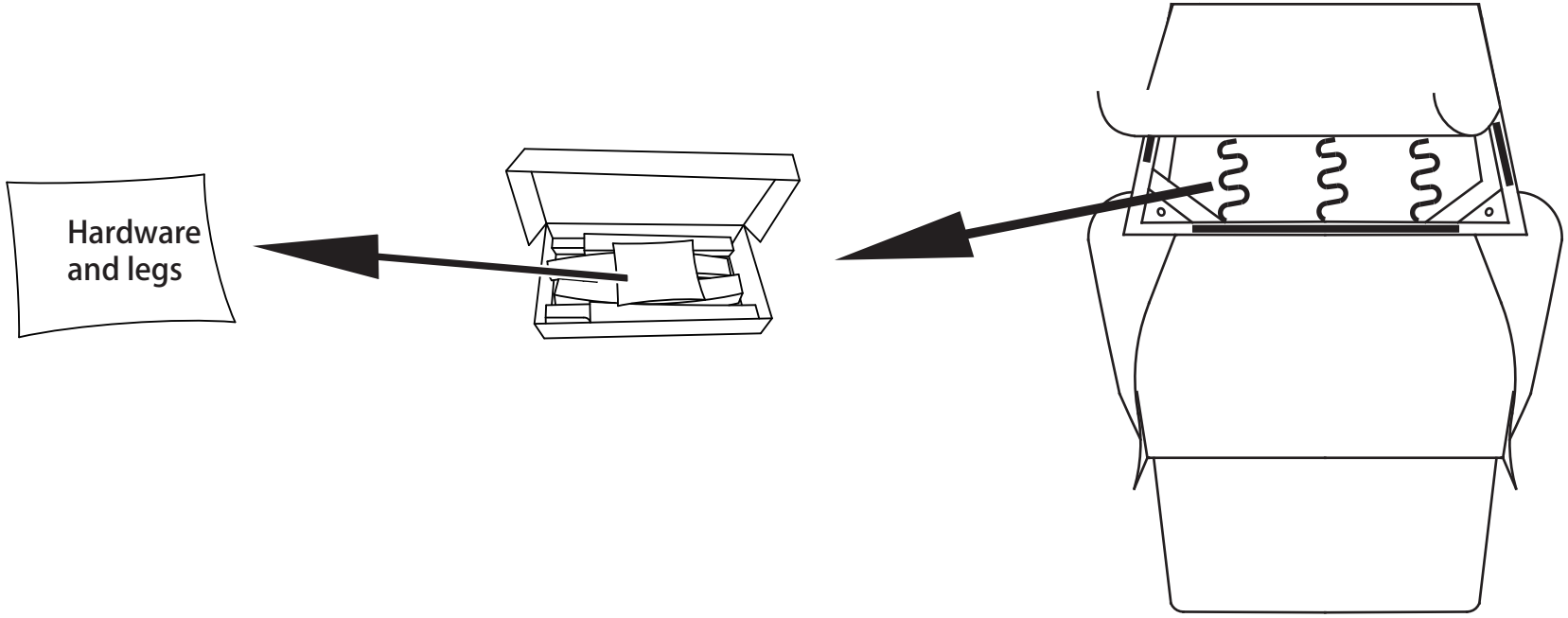


BR

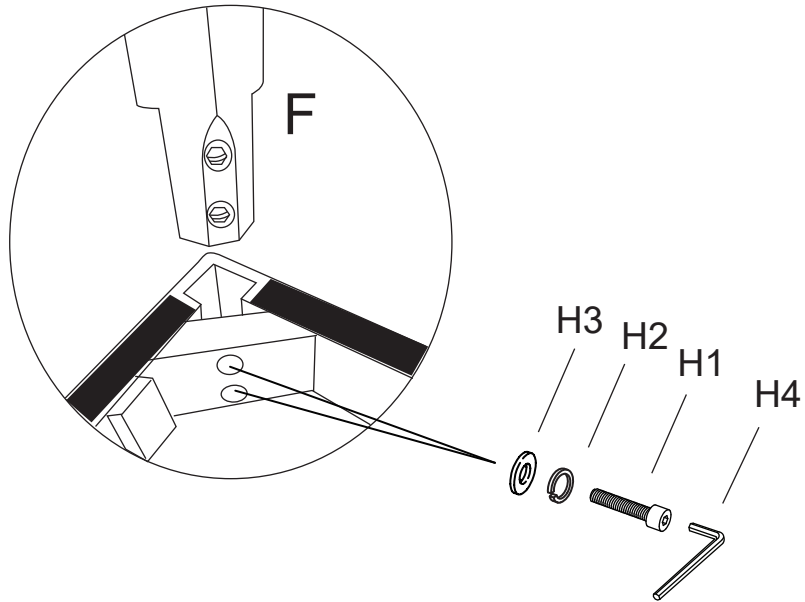


BL

The legs will be in a box with stickers to indicate F, BL, BR



Hardware  
and legs



(H1)x 4  
bolt(M8X60MM)



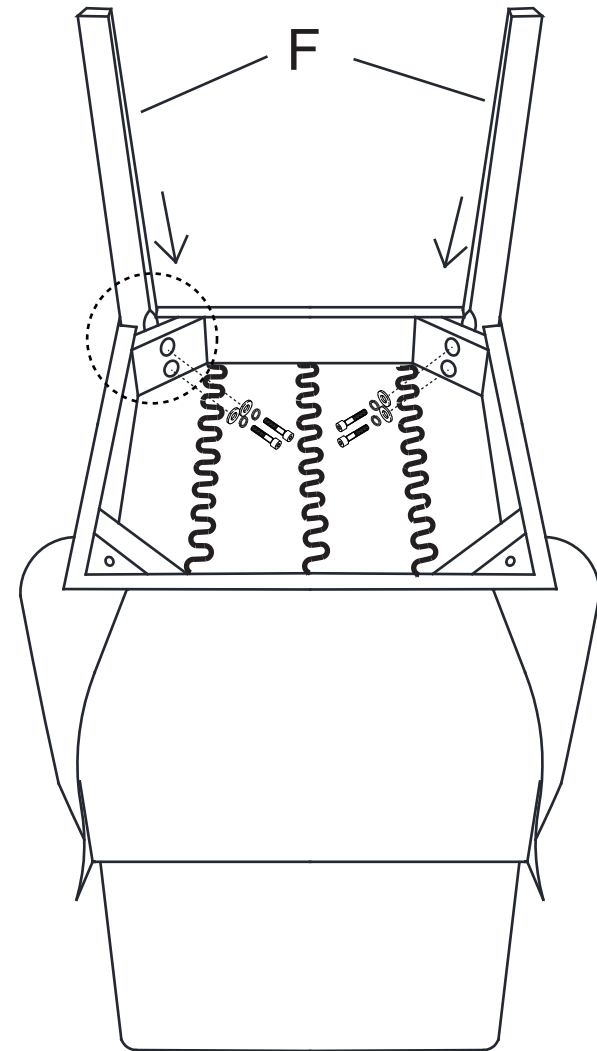
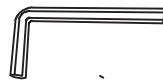
(H2)x 4  
spring washer

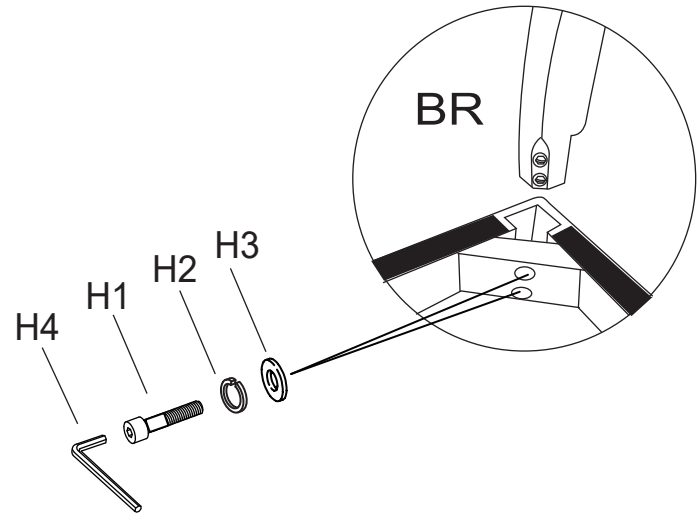


(H3)x 4  
flat washer



(H4)x1  
hex wrench(M6)





(H1)x 4  
bolt(M8X60MM)



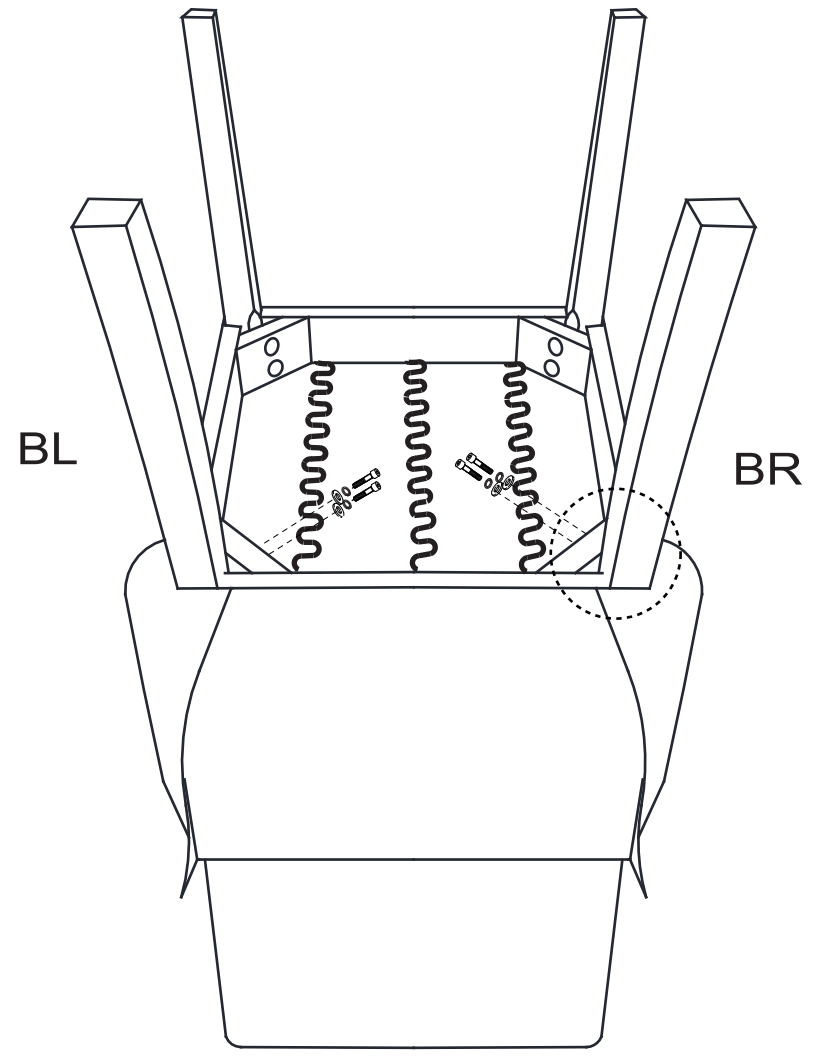
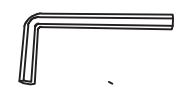
(H2)x 4  
spring washer

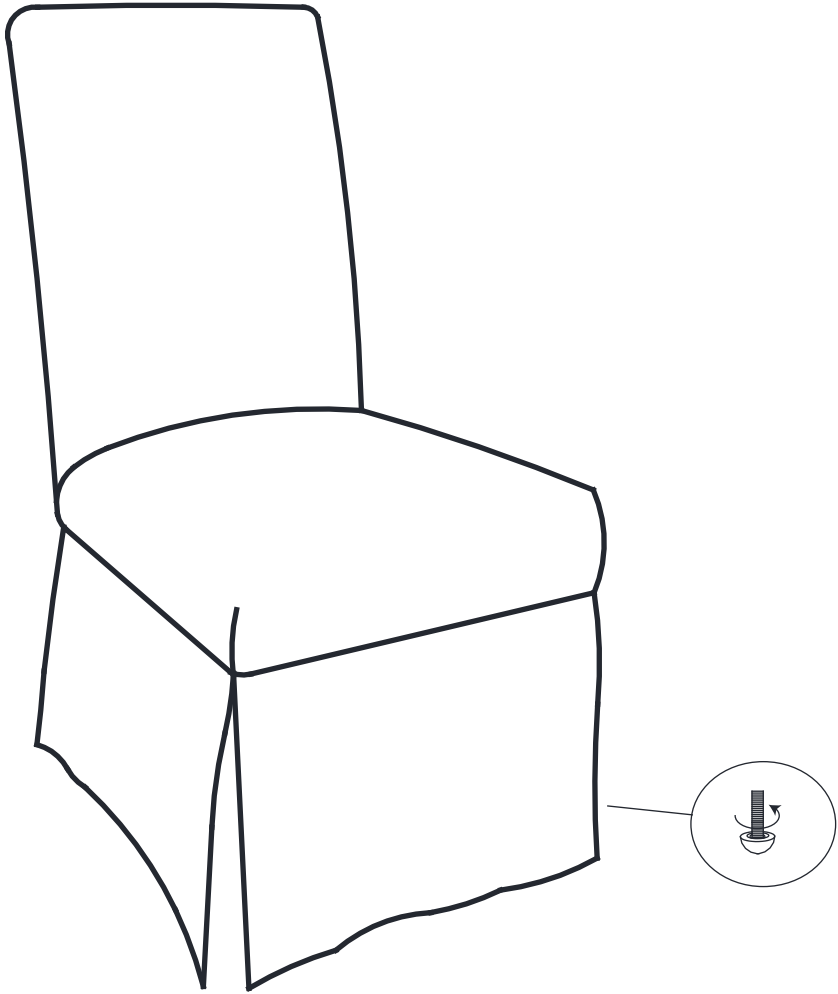


(H3)x4  
flat washer



(H4)x1  
hex wrench(M6)





Additional note about safety: Bolts may loosen during normal everyday use. They should be periodically inspected and re-tightened to prevent damage or injury. Remember to save your wrench to use to tighten.