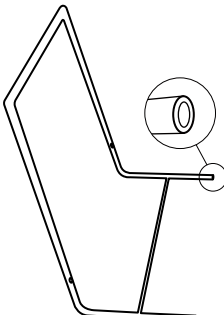
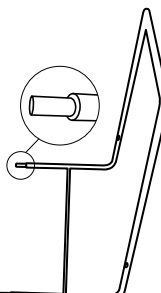
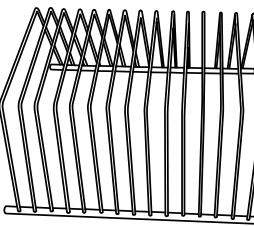
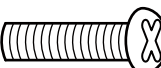


Record Holder Wire Rack

No.	Part	Pcs
A		1
B		1
C		1
D	 M5 x 16	4

