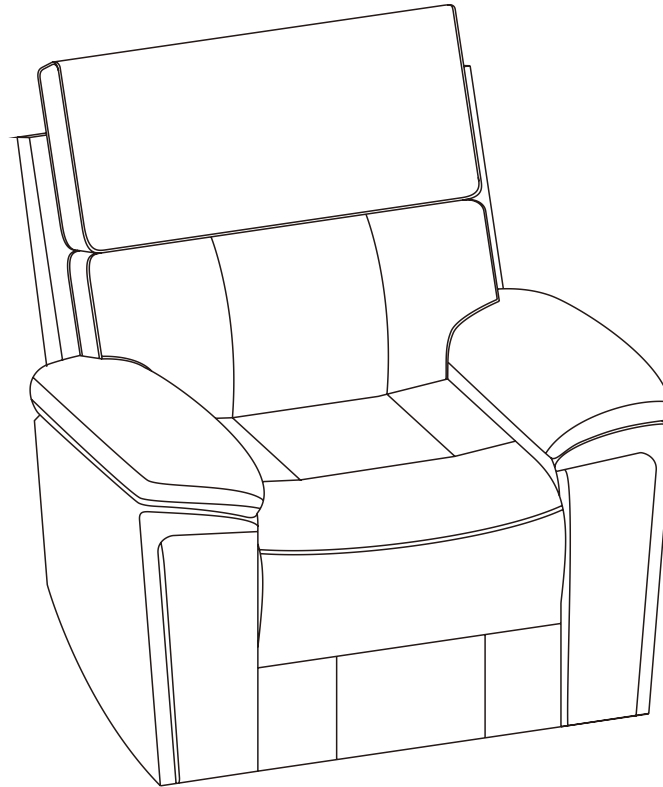


Assembly Instruction



**Any question please feel free to contact us,
We will provide further assistance within 24 hours.**

Dear Customers,

Thank you for purchasing our product. Please read this instruction manual carefully after receiving this product. It will help you assemble this product quickly, safely and correctly. You can keep this manual for future reference.



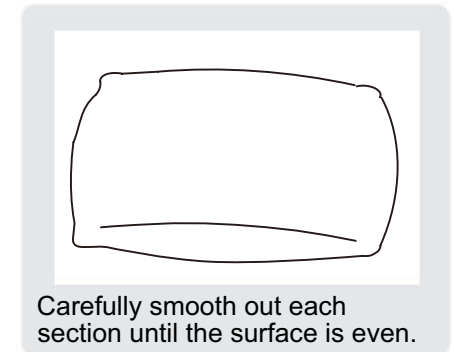
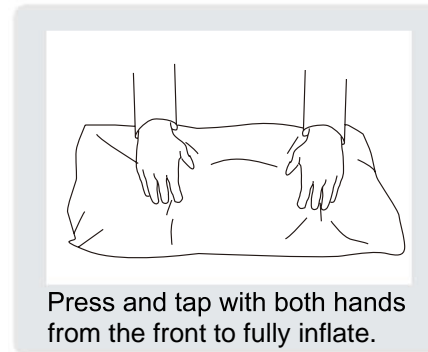
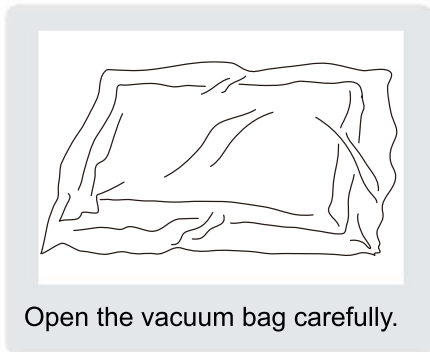
Safety and Care Advice

Important – Please read these instructions fully before starting assembly

Thanks for your purchase. Before assembling, please follow the instructions to check if all the spare parts and screws are intact.

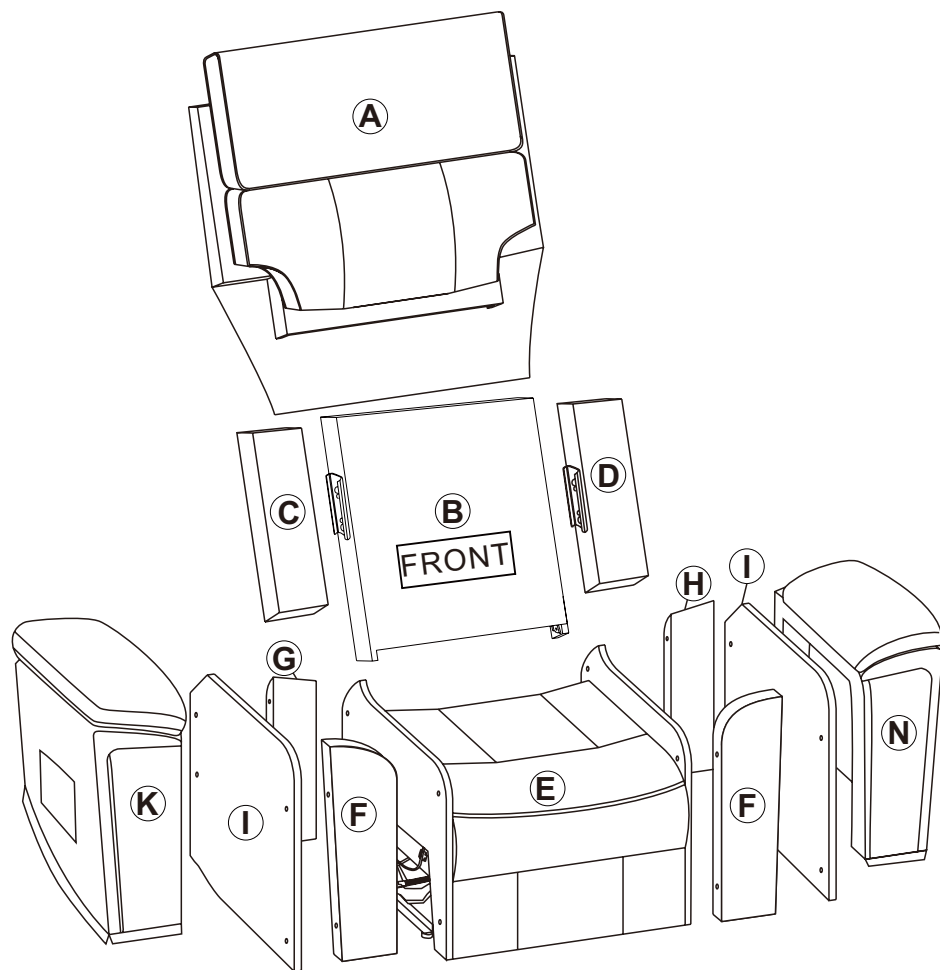
- Considering the size and weight of the sofa, we recommend two adults to assemble the sofa, on a carpeted or padded area, in the room that it is intended for. Approximate assembly time: 30 minutes.
- Keep all components and packaging out of reach of children or animals to avoid the risk of choking or suffocation.
- Please do not throw away any of the packaging or the instruction until you have checked all the components and hardware and the furniture is fully assembled. Please ensure that the packaging is disposed in a safe and environmentally friendly way.
- Please do not take off the cover, and do not wash.

Your cushions come vacuum packed and sealed for shipping. To restore the cushion's original shape, follow the steps below.

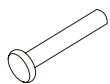

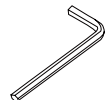






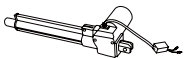


After packing up, place them somewhere dry and ventilated. After about 72-96 hours, it can be restored to the best-use condition.

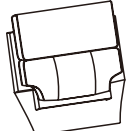
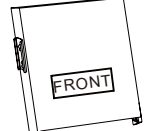

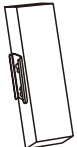
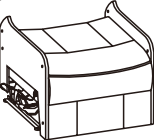






Recliner



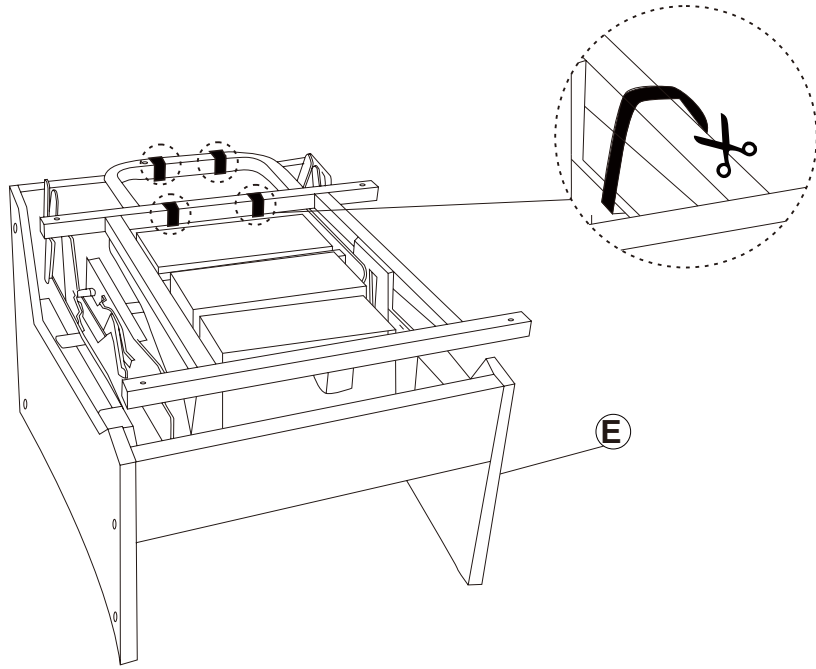
Hardware Parts

a Bolt  x2	b Clip  x2	c Allen Key  x1	d Locker  x2
e Bolt M6*30 x16	f Remote Control  x1	g Power Cord  x1	h Power Switch  x1
i Extension Cord  x1	j Adjustable Bolt  x6	k Electric Motor  x1	

Main Structure Accessories

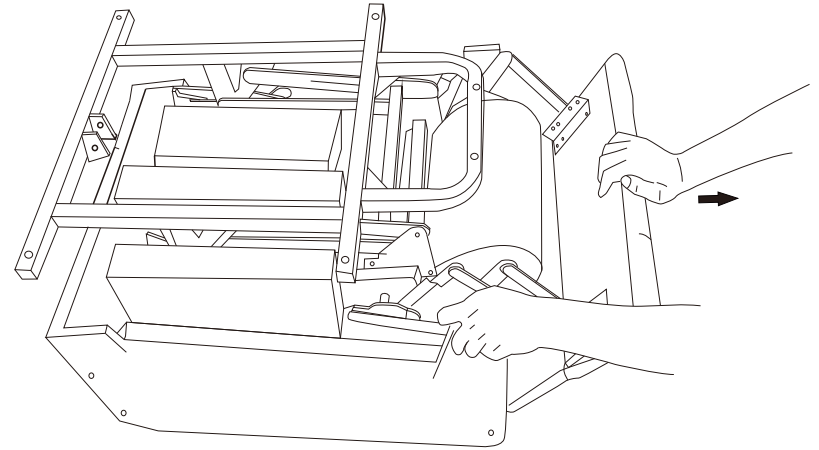
A Backrest Cover  x1	B Back Frame  x1	C Left Wing  x1	D Right Wing  x1
E Seat  x1	F Armrest Front Bezel  x2	G Armrest(L) Rear Bezel  x1	H Armrest(R) Rear Bezel  x1
I Armrest Side Bezel  x2	K Armrest(L) Cover  x1	N Armrest(R) Cover  x1	

STEP 1

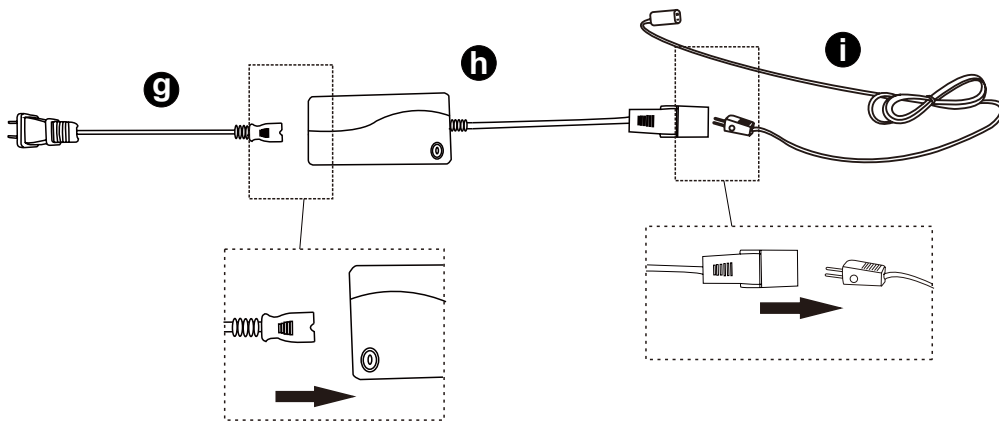


STEP 2

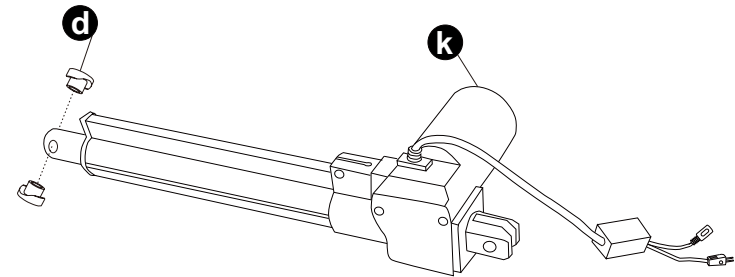
Pull up, then take out K, N, G, H and F from the bottom of E. Remember to put it back in place after taking the accessories.



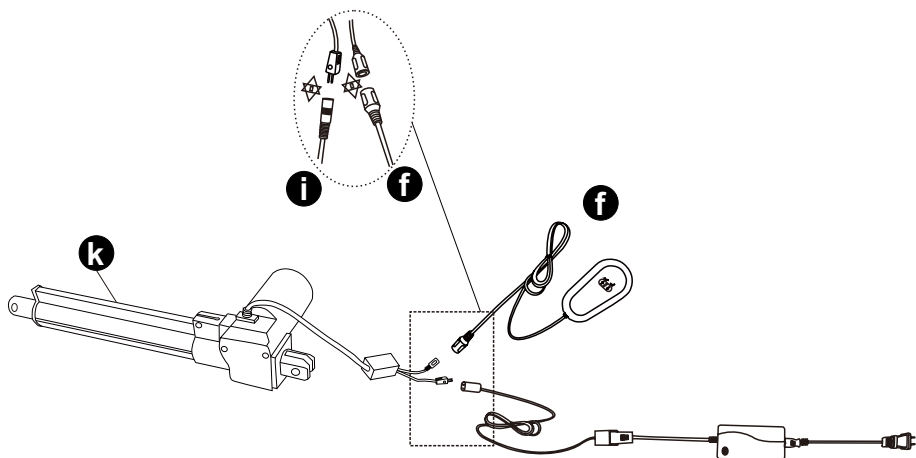
STEP 3



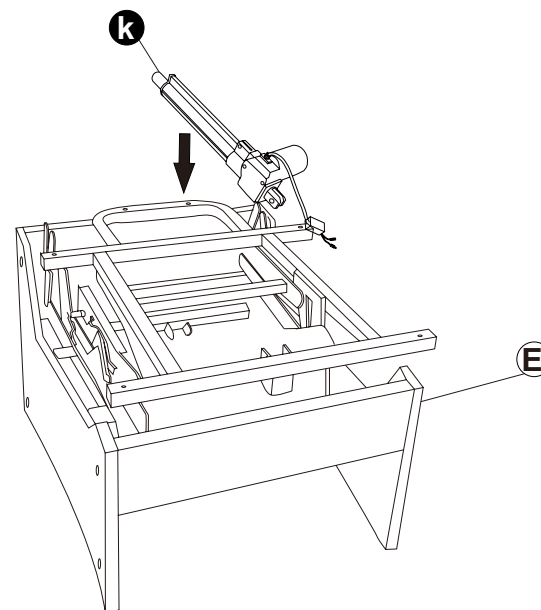
STEP 4



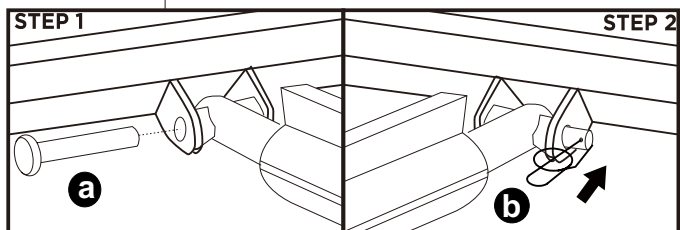
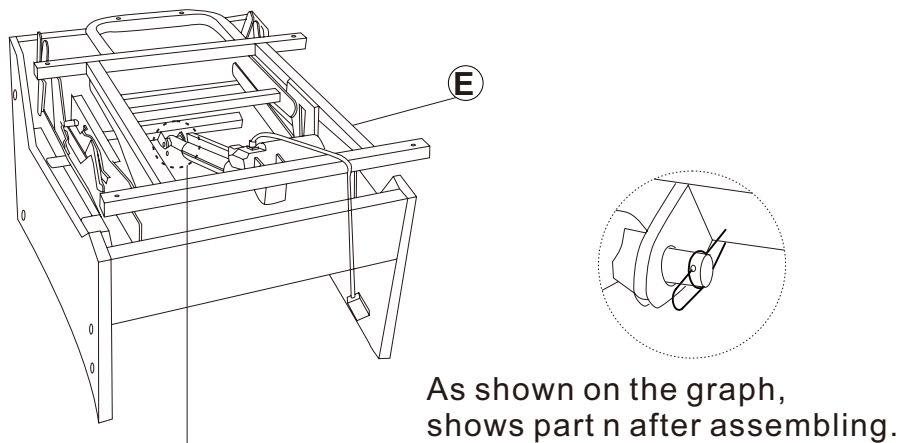
STEP 5



STEP 6

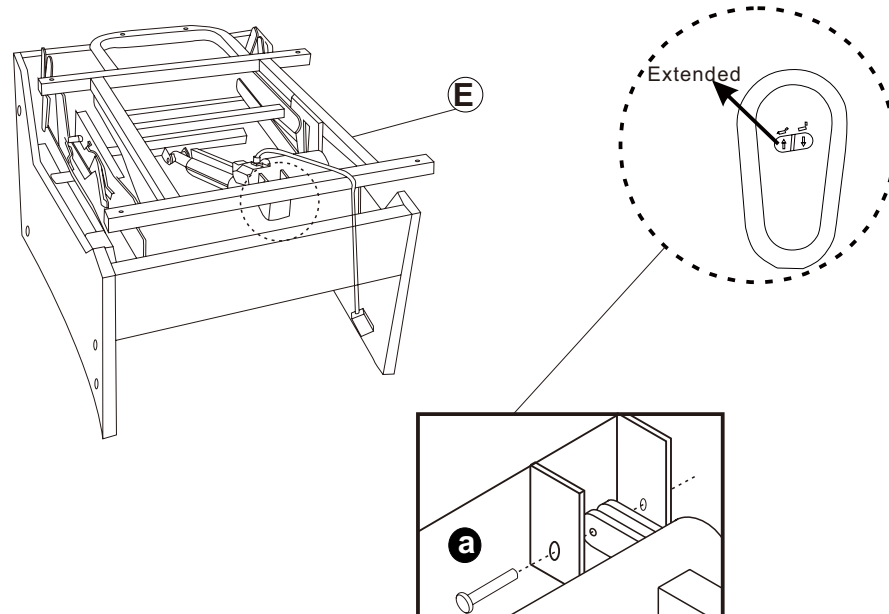


STEP 7

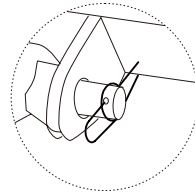
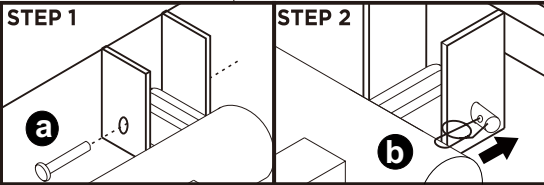
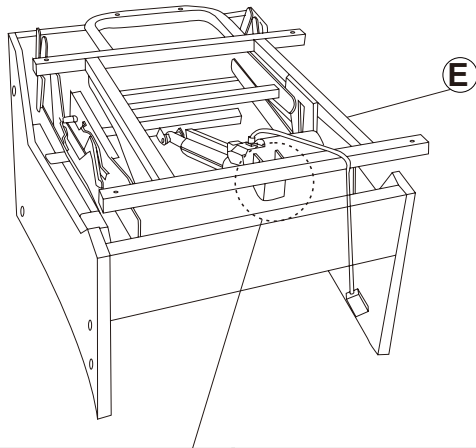


STEP 8

Expand the recliner to a suitable position.

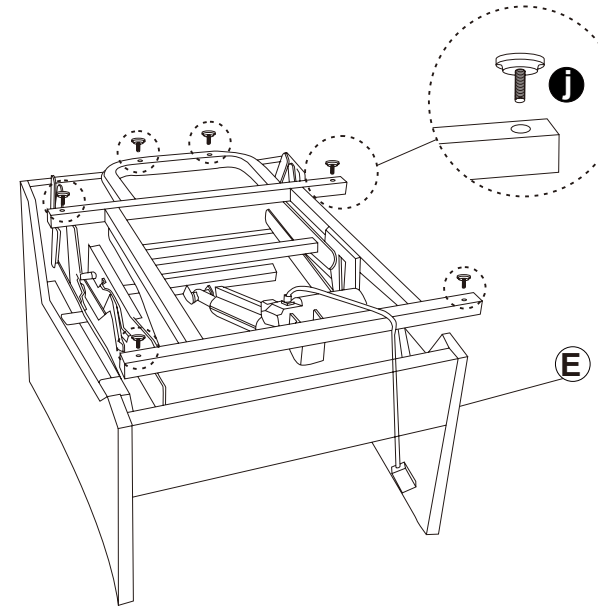


STEP 9

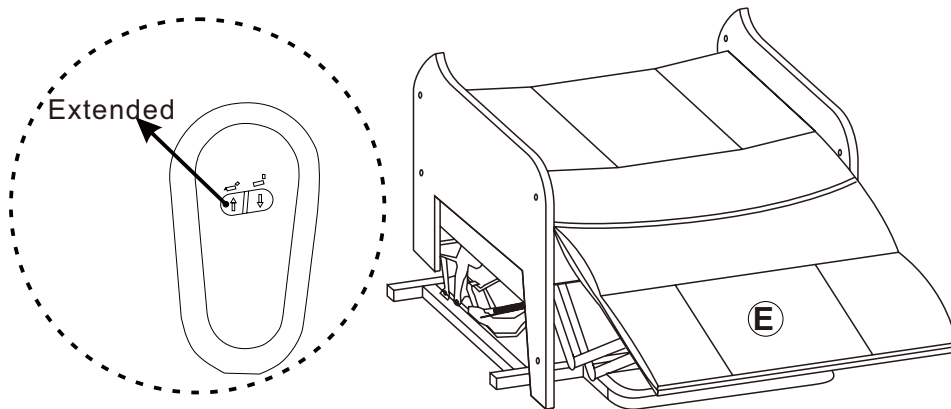


As shown on the graph, shows part n after assembling.

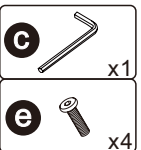
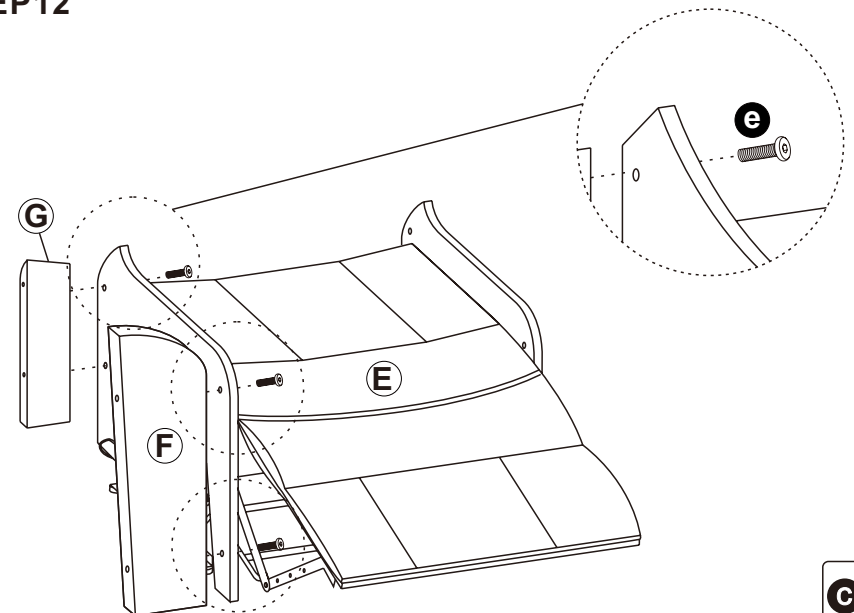
STEP10



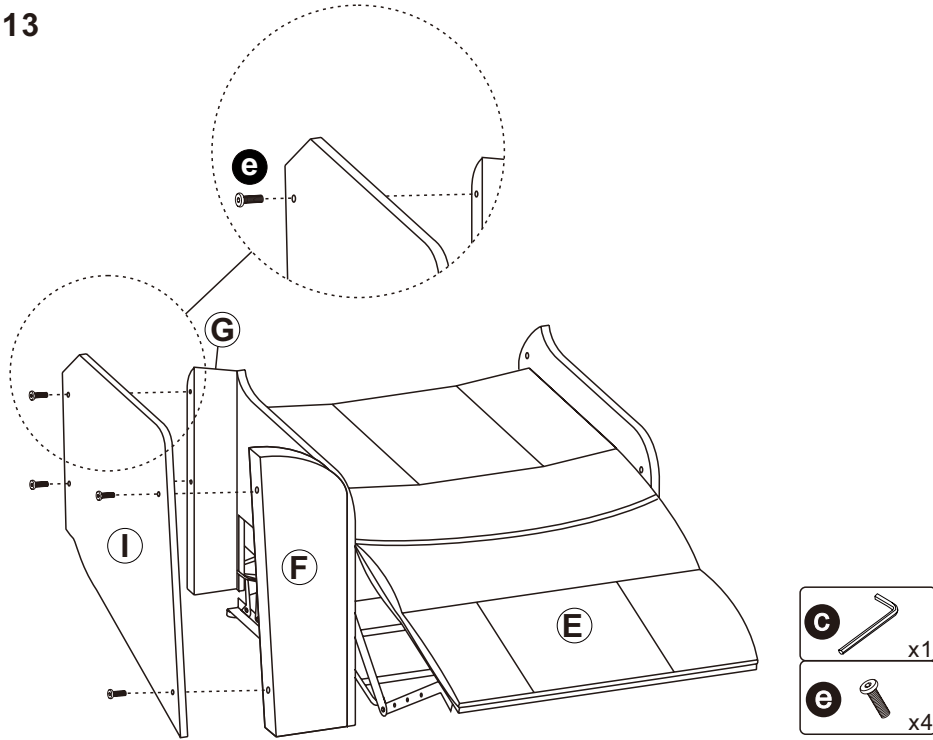
STEP11



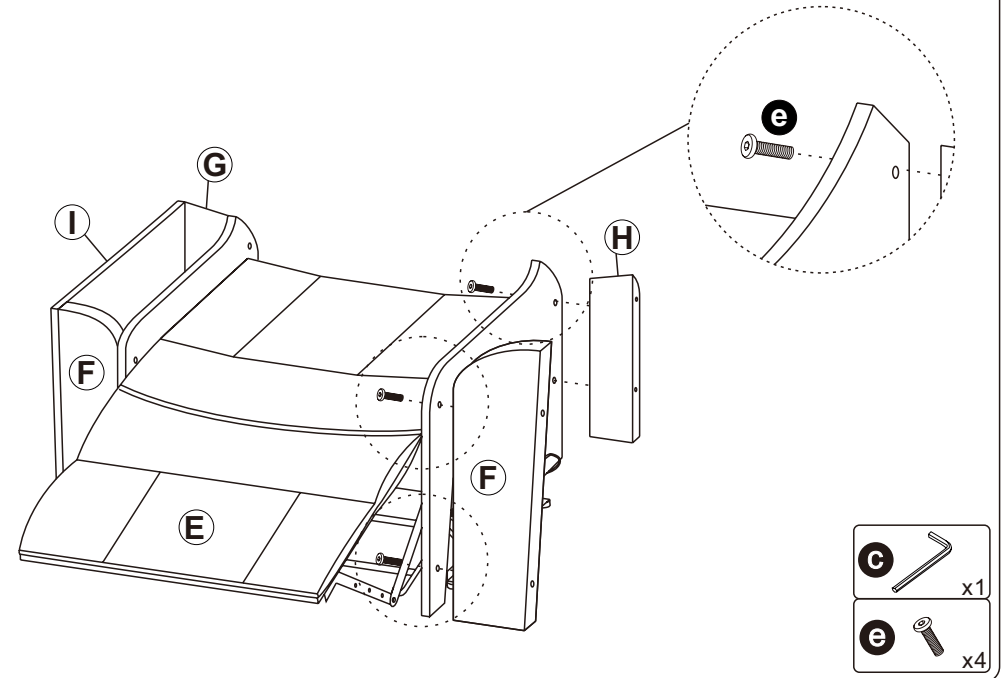
STEP12



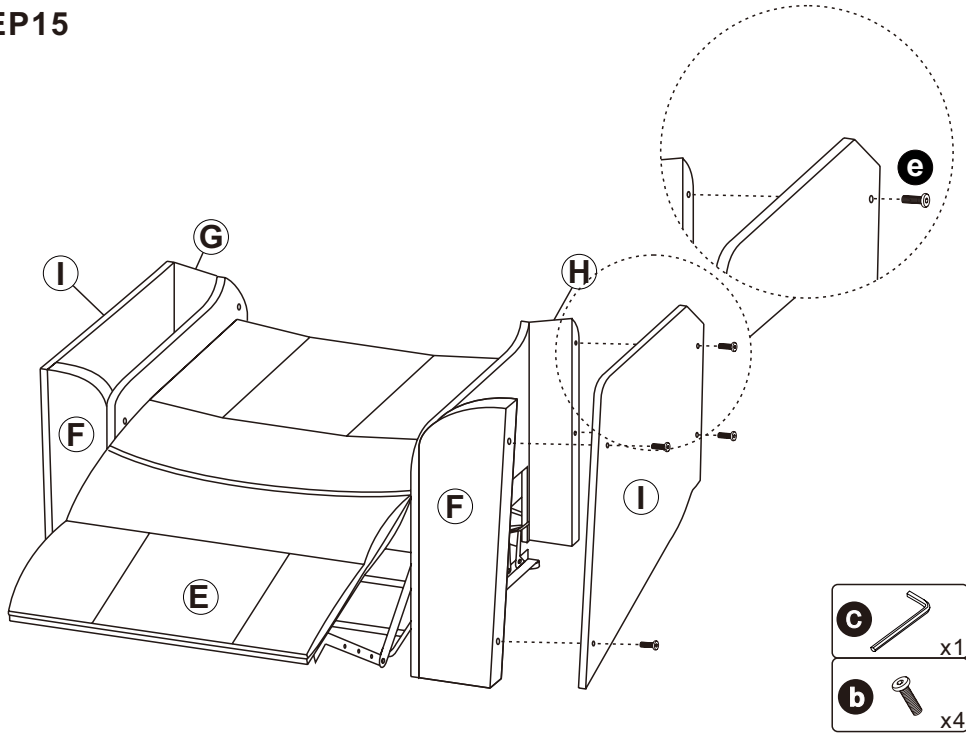
STEP13



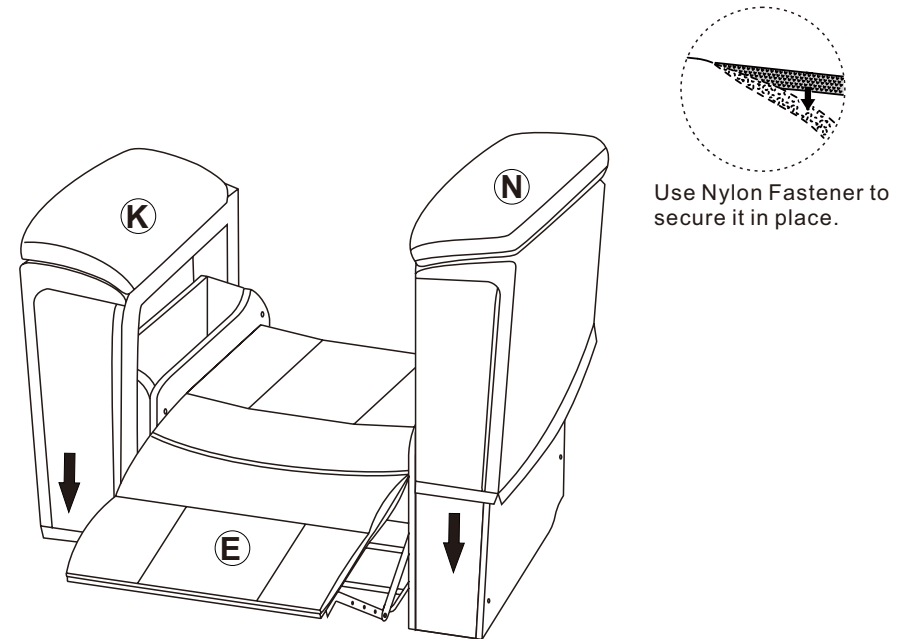
STEP14



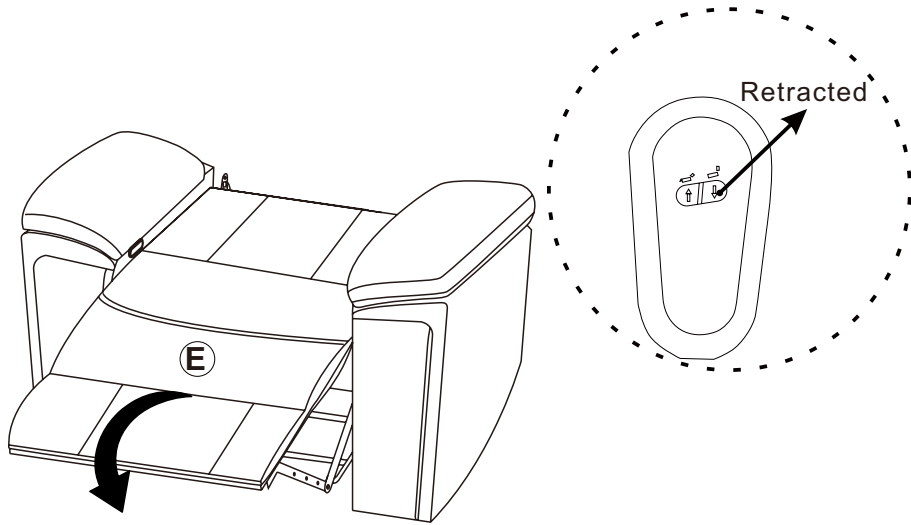
STEP15



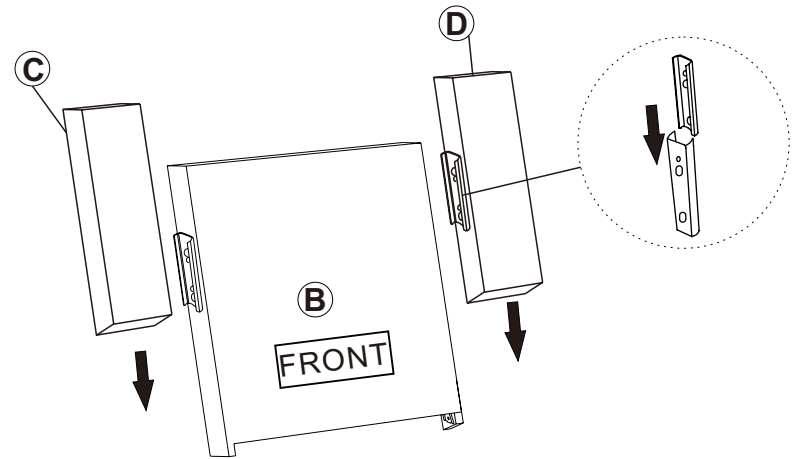
STEP16



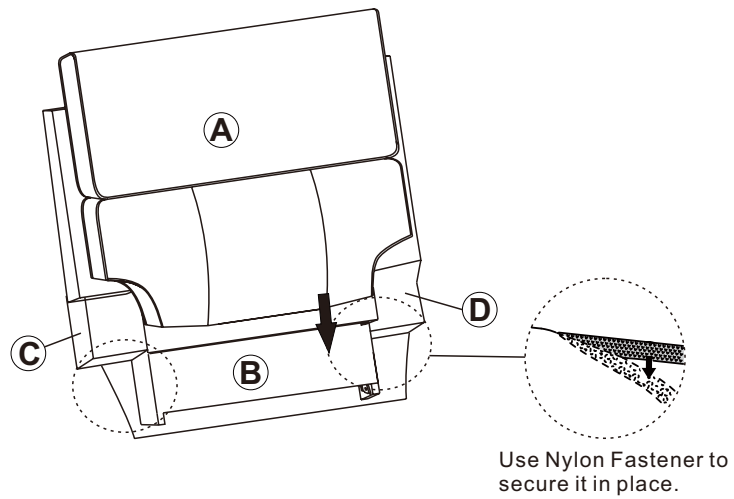
STEP17



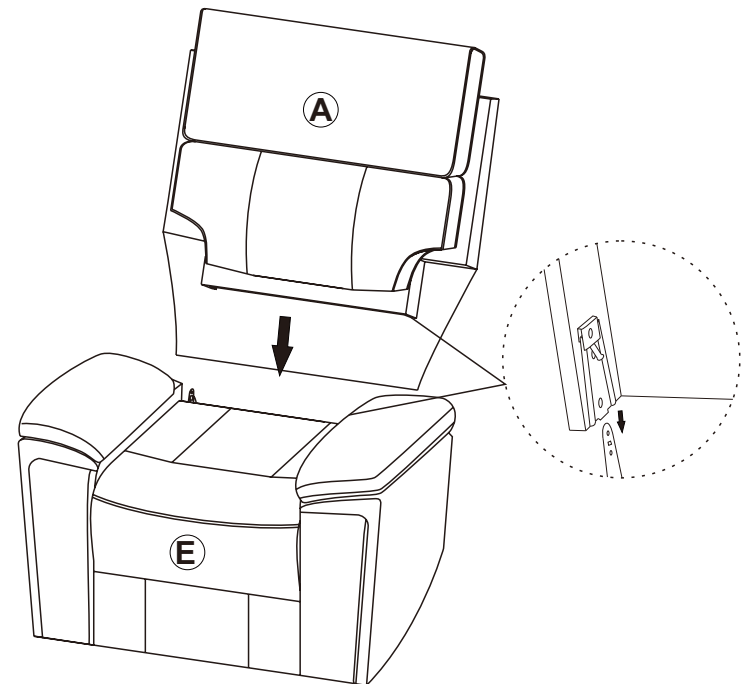
STEP18



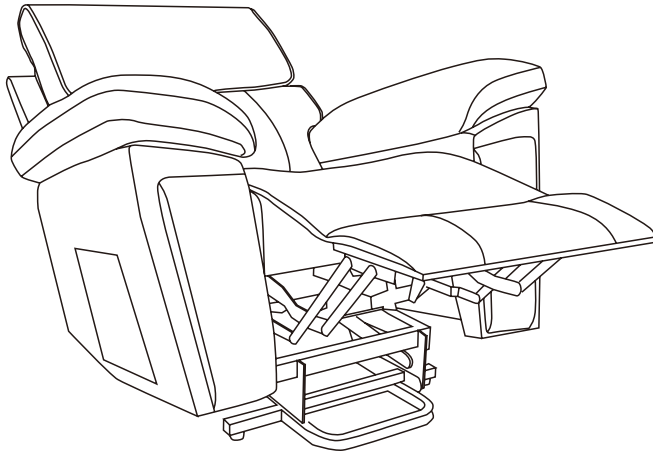
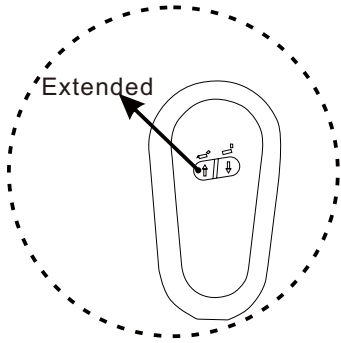
STEP19



STEP20



STEP21



STEP22

