



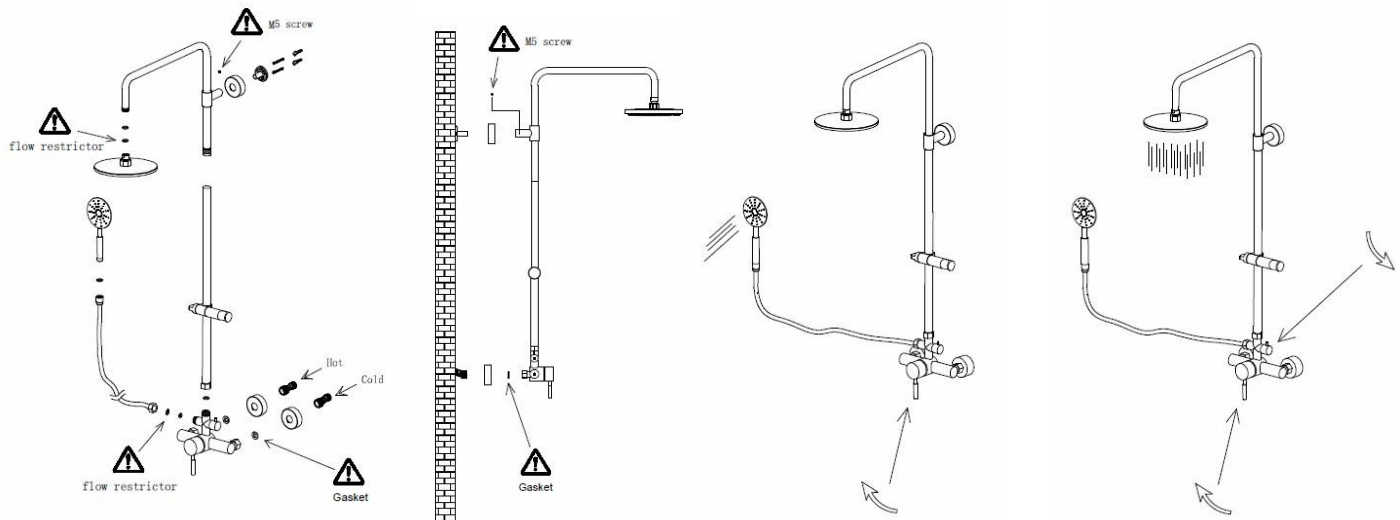
Unpack and inspect contents for damage or missing parts before proceeding. Contact Customer Service at 1-866-746-9371 if you need assistance.



DO NOT USE PIPE WRENCH, CHANNELLOCK WRENCH, OR PLUMBERS' PUTTY



SHOWER UNIT MUST BE WINTERIZED IN CLIMATES THAT FALL BELOW 32°F



1. BRING 1/2" FPT HOT & COLD WATER LINES FLUSH WITH THE WALL 6 ± 1/2" APART.
2. FLUSH SUPPLY LINES BEFORE PROCEEDING. DEBRIS IN WATER LINES CAN CAUSE VALVE AND SHOWER HEADS TO MALFUNCTION.
3. ATTACH SUPPLY ARMS TO WATER LINES USING TEFLON TAPE ENSURING 6" CC AND LEVEL ONCE TIGHTENED. ADDITIONAL TEFLON TAPE MAY BE NEEDED TO OBTAIN THE CORRECT SPREAD. USE VALVE AS GUIDE.
4. ATTACH VALVE FLANGES TO THE SUPPLY ARMS WITH OPEN SIDE AGAINST THE WALL.
5. PREASSEMBLE SHOWER BY CONNECTING THE SHOWER HEAD, RISER, AND VALVE. USING THE GASKETS AND FLOW RESTRICTORS PROVIDED.
6. MARK THE LOCATION OF THE WALL BRACKET USING THE RISER AS A GUIDE.
7. MOUNT THE BRACKET USING THE SCREWS PROVIDED OR OTHER APPROPRIATE HARDWARE DEPENDING ON THE APPLICATION. SLIDE THE FLANGE OVER THE BRACKET AND PRESS FIRMLY AGAINST THE WALL.
8. INSERT RUBBER GASKETS INTO THE BACK OF THE VALVE AND ATTACH VALVE TO THE SUPPLY ARMS.
9. SLIDE RISER BRACKET INTO WALL BRACKET AND TIGHTEN THE SCREW USING THE ALLEN WRENCH PROVIDED.
10. ATTACH HAND SPRAY USING THE GASKETS AND FLOW RESTRICTOR PROVIDED.
11. TURN ON WATER AND TEST EACH FUNCTION ENSURING ADEQUATE WATER FLOW AND TEMPERATURE.
12. SHOWER HEAD HEIGHT CAN BE ADJUSTED BY EXTENDING THE RISER USING THE KNOB ON THE BRACKET.

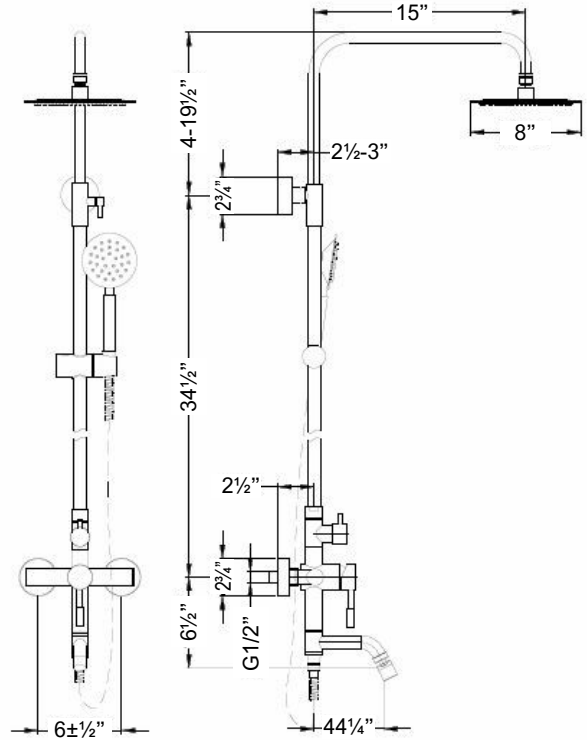


SPECIFICATIONS

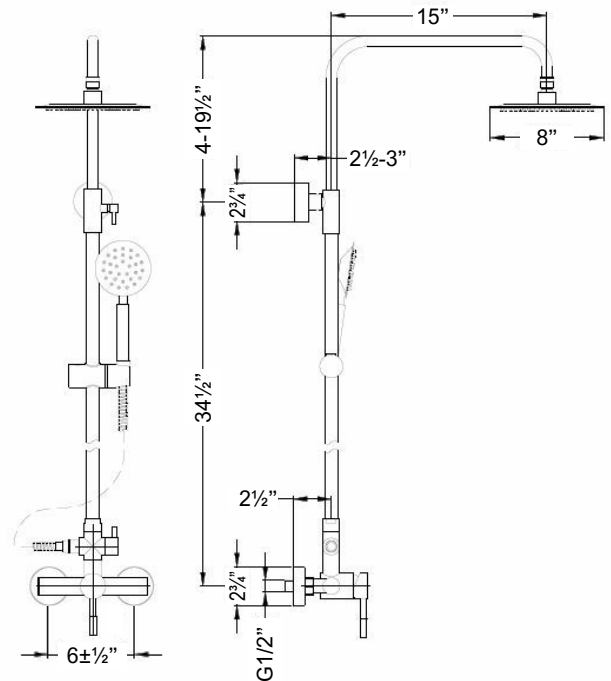


DVA-L1-HSFS & DVA-L2-HS

DVA-L1-HSFS
HAND SPRAY &
FOOT SHOWER



DVA-L2-HS
HAND SPRAY



- 304 STAINLESS STEEL—SATIN FINISH
- HOT & COLD SUPPLY WITH 6" SPREAD
- PRESSURE BALANCED
- MAX 1.75GPM @ 80PSI FLOW RESTRICTORS
- 8" SHOWER HEAD
- 3" DIA. HAND SPRAY HEAD
- 60" BRAIDED HOSE
- ADJUSTABLE SHOWER HEAD HEIGHT (38½-54")

