

-KING BED ASSEMBLY INSTRUCTION

Thank you for purchasing this quality product. Be sure to check all packing material carefully for small parts which may have come loose inside the carton during shipment. Separate, identify and count all parts and hardware. Compare with the parts list to be sure all parts are present.

IMPORTANT : PLEASE READ INSTRUCTION BEFORE STARTING THE ASSEMBLY.

"DO NOT TIGHTEN SCREWS UNTIL COMPLETELY ASSEMBLED"

"DO NOT OVERTIGHT ANY HARDWARE"

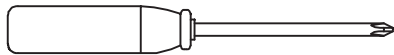
WARNING : SMALL PARTS AND HARDWARE NOT FOR CHILDREN UNDER 3 YEARS. ADULT ASSEMBLY REQUIRED.

TABLE OF CONTENTS

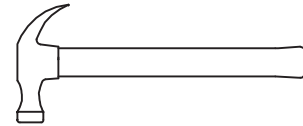
HARDWARES LIST AND PARTS LIST (BED)	PAGE 2 - 4
HARDWARES LIST AND PARTS LIST (DRAWER)	PAGE 5
PARTS' LOCATION	PAGE 6
ASSEMBLY STEPS	PAGE 7 - 14
ASSEMBLY COMPLETED	PAGE 14

ASSEMBLY TOOLS REQUIRED

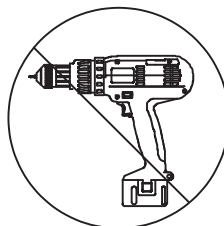
1. Screwdriver (not provide)



2. Hammer (not provide)

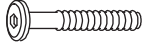


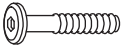
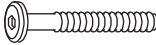










Skip the power drill this time.



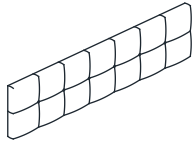
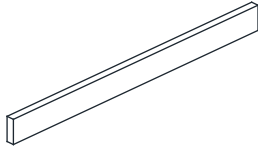
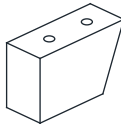
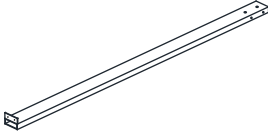
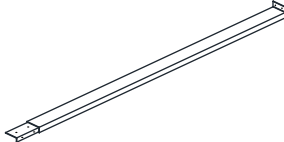
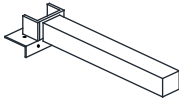
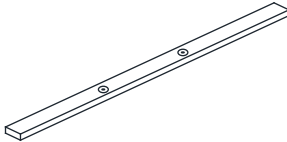
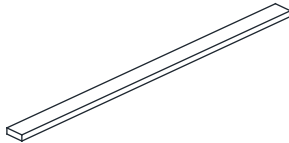
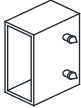
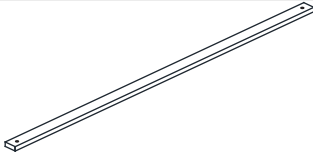
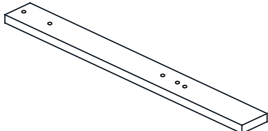
-KING BED ASSEMBLY INSTRUCTION

HARDWARES LIST (BED)

ITEM	DESCRIPTION	DRAWING	QTY
A	JCBB SCREW M8 x 50MM		4 PCS
B	JCBC SCREW M6 x 15MM		8 PCS
C	JCBC SCREW M6 x 20MM		8 PCS
D	JCBC SCREW M6 x 35MM		4 PCS
E	JCBC SCREW M6 x 70MM		2 PCS
F	WOOD DOWEL M8 x 30MM		2 PCS
G	SPRING WASHER M6 x 12MM		4 PCS
H	FLAT WASHER M6 x 19MM		4 PCS
I	SPRING WASHER M8 x 13MM		4 PCS
J	FLAT WASHER M8 x 22MM		4 PCS
K	M4 ALLEN KEY (100MM)		1 PC
L	M5 ALLEN KEY (65MM)		1 PC
M	SUPPORT LEG ADJUSTABLE FEET		8 PCS

-KING BED ASSEMBLY INSTRUCTION


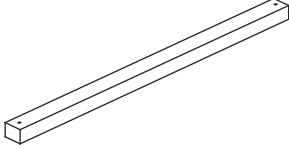
PARTS LIST (BED)

ITEM	DESCRIPTION	DRAWING	QTY
1	HEADBOARD		1 PC
2	FOOTBOARD		1 PC
3	FOOTBOARD LEG		2 PCS
4	SIDE RAIL		2 PCS
5	SIDE RAIL		2 PCS
6	SIDE RAIL LEG		2 PCS
7	SLAT WITH NUT		4 PCS
8	SLAT		8 PCS
9	SOCKET		24 PCS
10	SUPPORT RAIL		2 PCS
11	HEADBOARD LEG		2 PCS

MORE PARTS DETAIL IN NEXT PAGE...



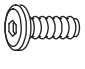



-KING BED ASSEMBLY INSTRUCTION

PARTS LIST (BED)

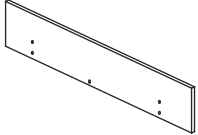
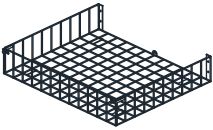

ITEM	DESCRIPTION	DRAWING	QTY
13	SUPPORT LEG WITH HANGER BOLT		8 PCS
14	CENTER SUPPORT		4 PCS

-KING BED ASSEMBLY INSTRUCTION

HARDWARES LIST (DRAWER)

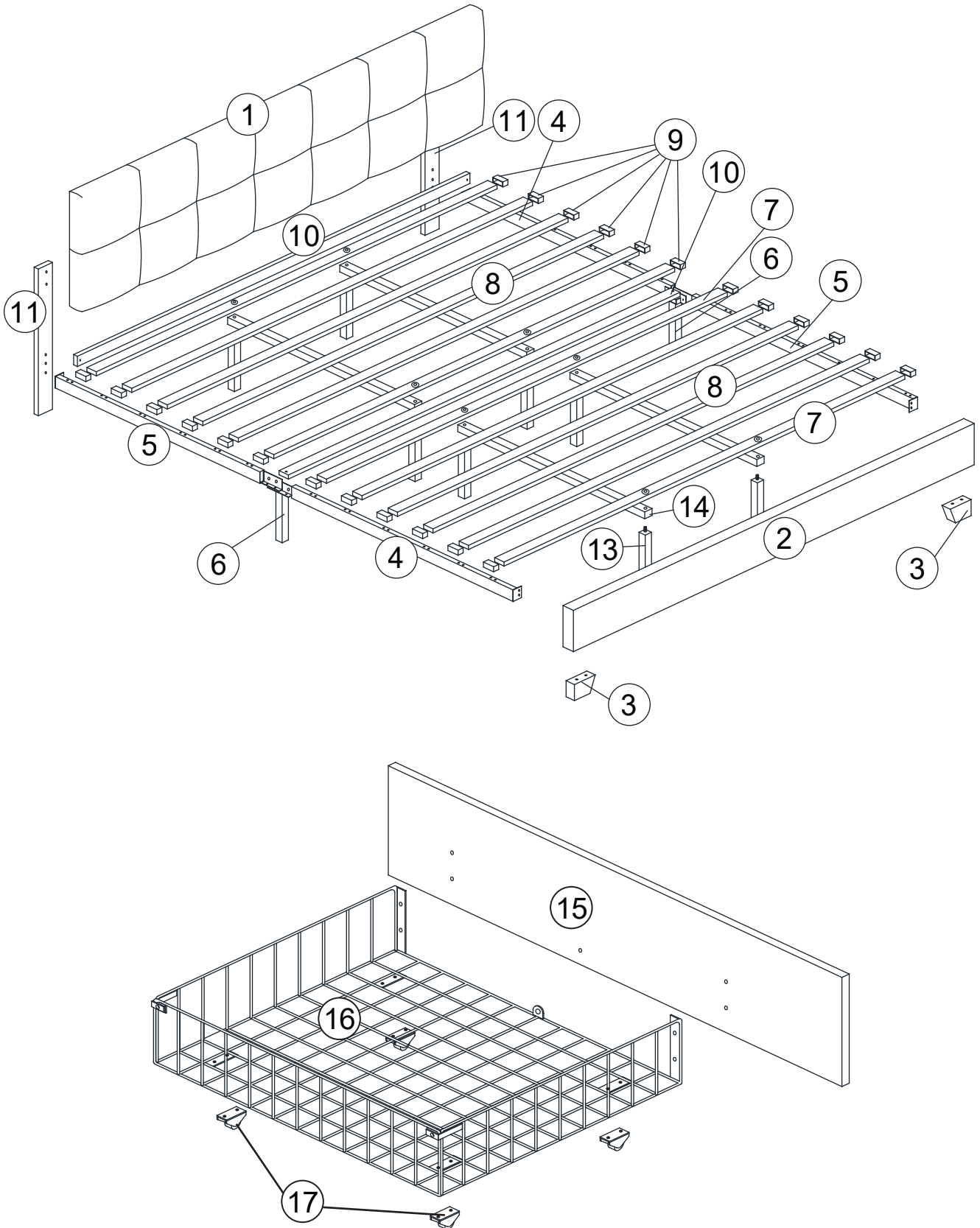
ITEM	DESCRIPTION	DRAWING	QTY
N	NUT		40 PCS
O	JCBB SCREW M5 x 11MM		40 PCS
P	JCBC SCREW M6 x 15MM		20 PCS
Q	M4 ALLEN KEY (100MM)		1 PC
R	M3 ALLEN KEY (50MM)		1 PC
S	SPANNER		1 PC

PARTS LIST (DRAWER)

ITEM	DESCRIPTION	DRAWING	QTY
15	DRAWER PANEL		4 PCS
16	DRAWER		4 PCS
17	CASTOR		16 PCS

-KING BED ASSEMBLY INSTRUCTION

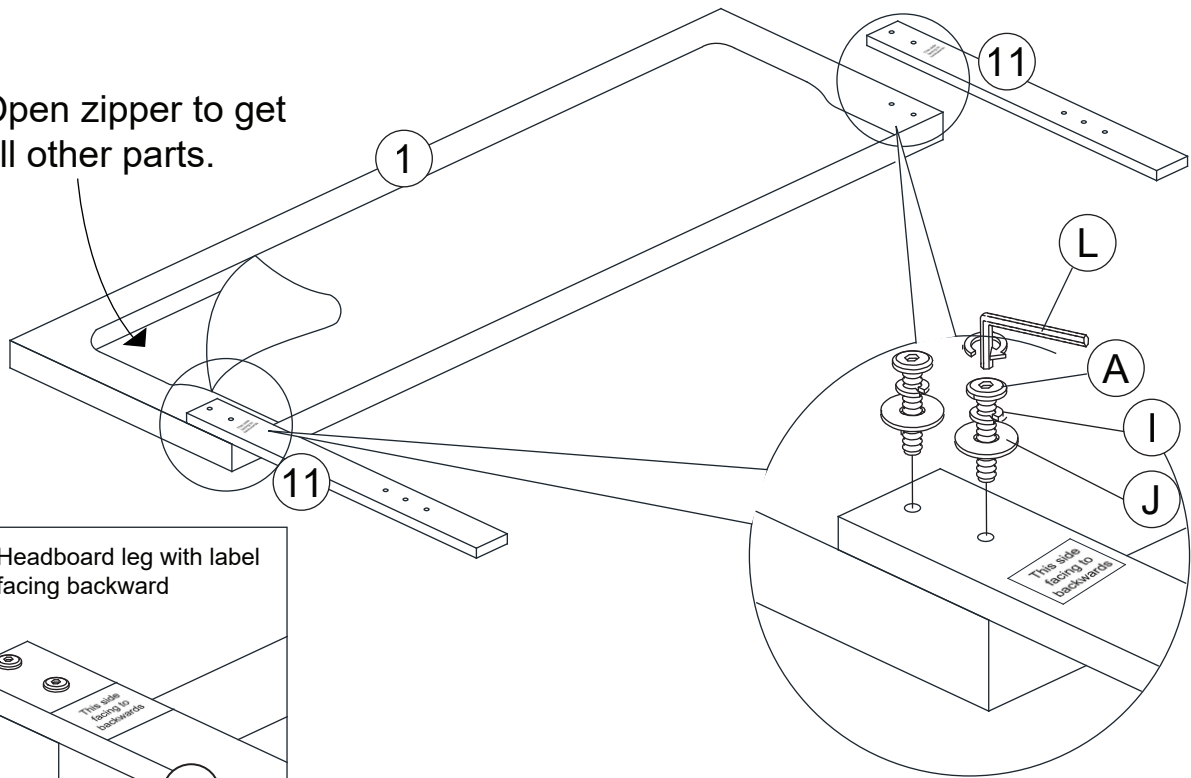
PARTS ' LOCATION



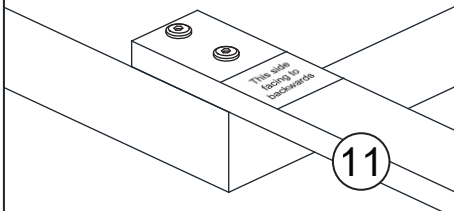
-KING BED ASSEMBLY INSTRUCTION

STEP 1

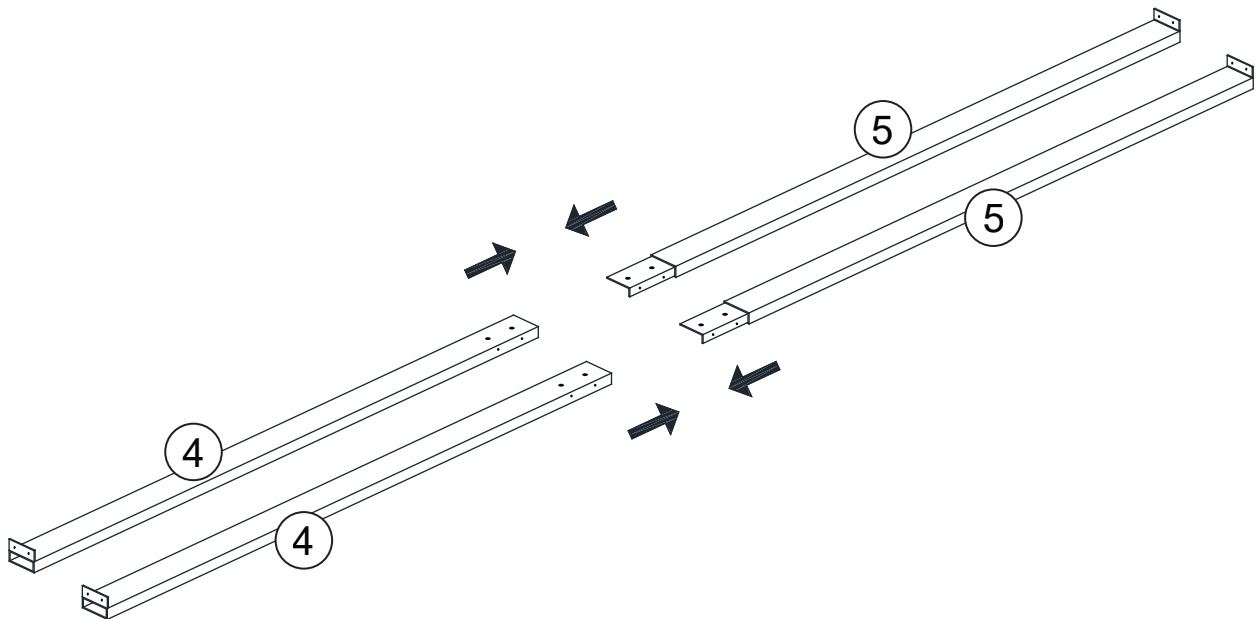
Open zipper to get all other parts.



REMARK : Headboard leg with label facing backward

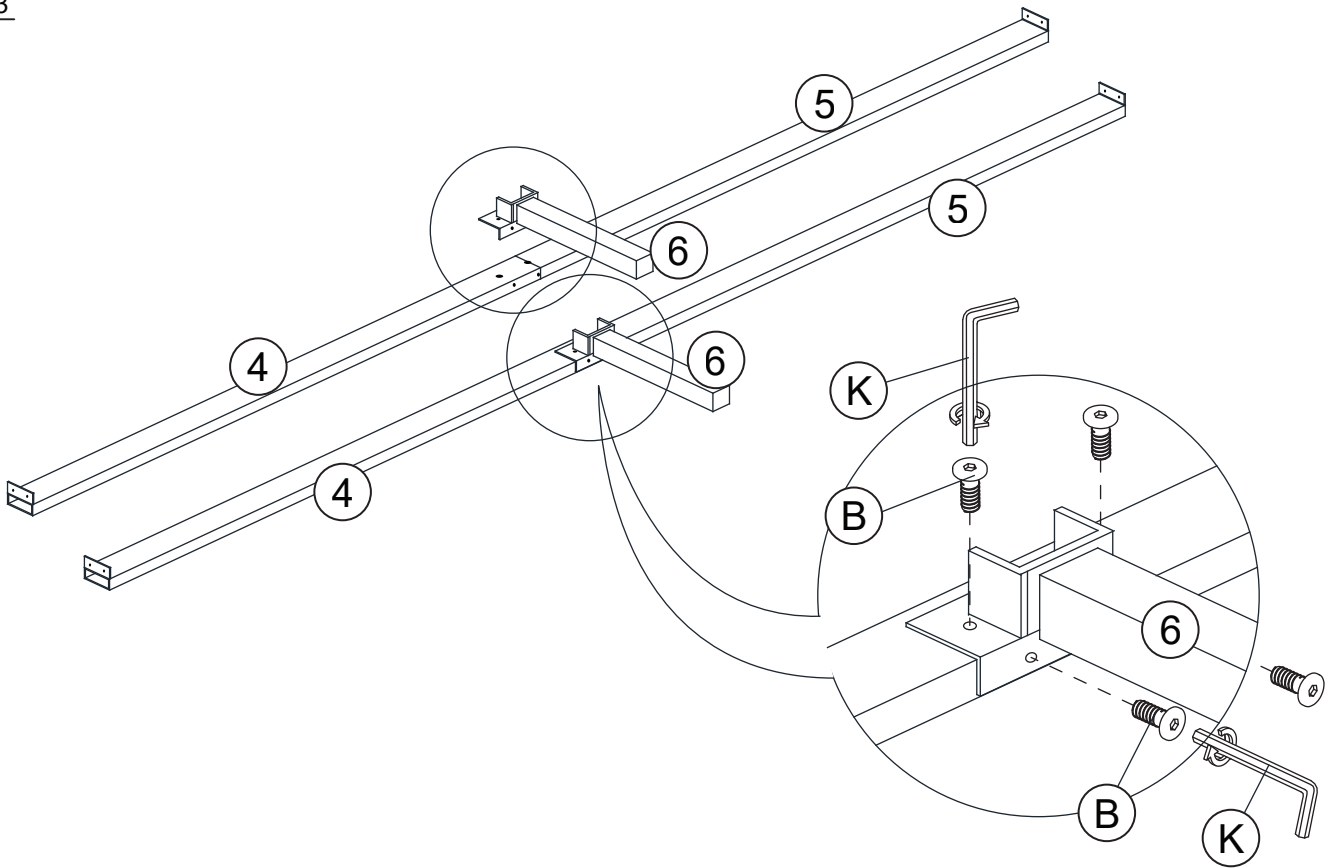


STEP 2



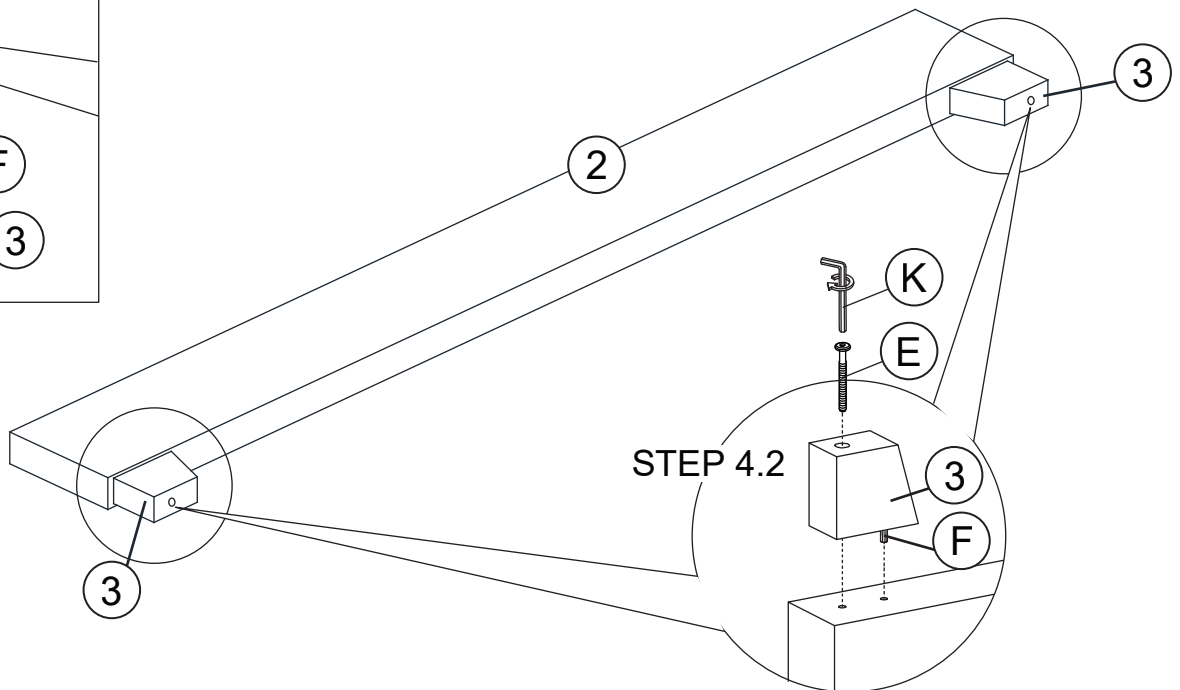
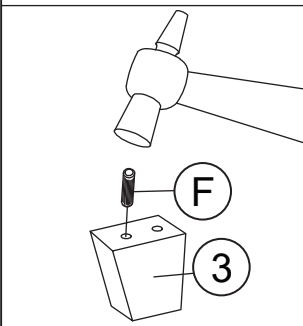
-KING BED ASSEMBLY INSTRUCTION

STEP 3



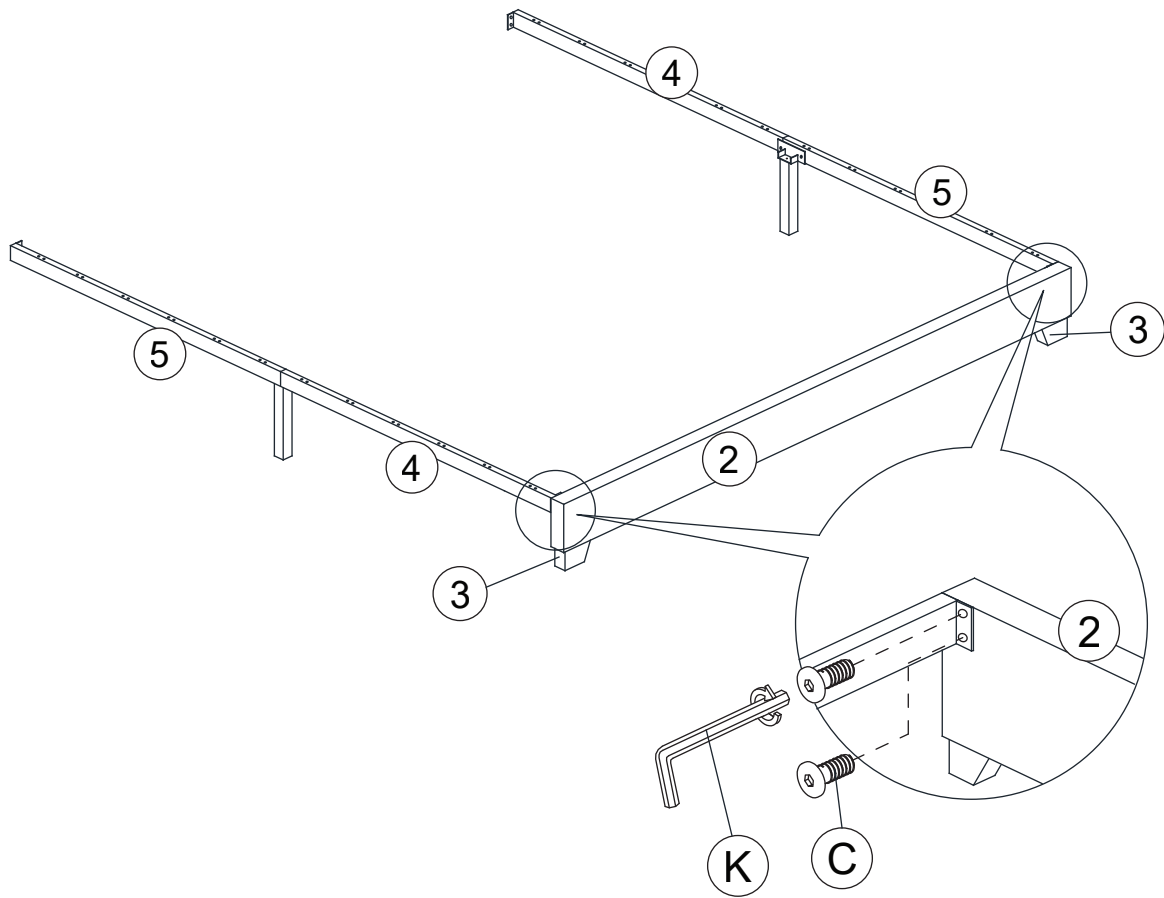
STEP 4

STEP 4.1

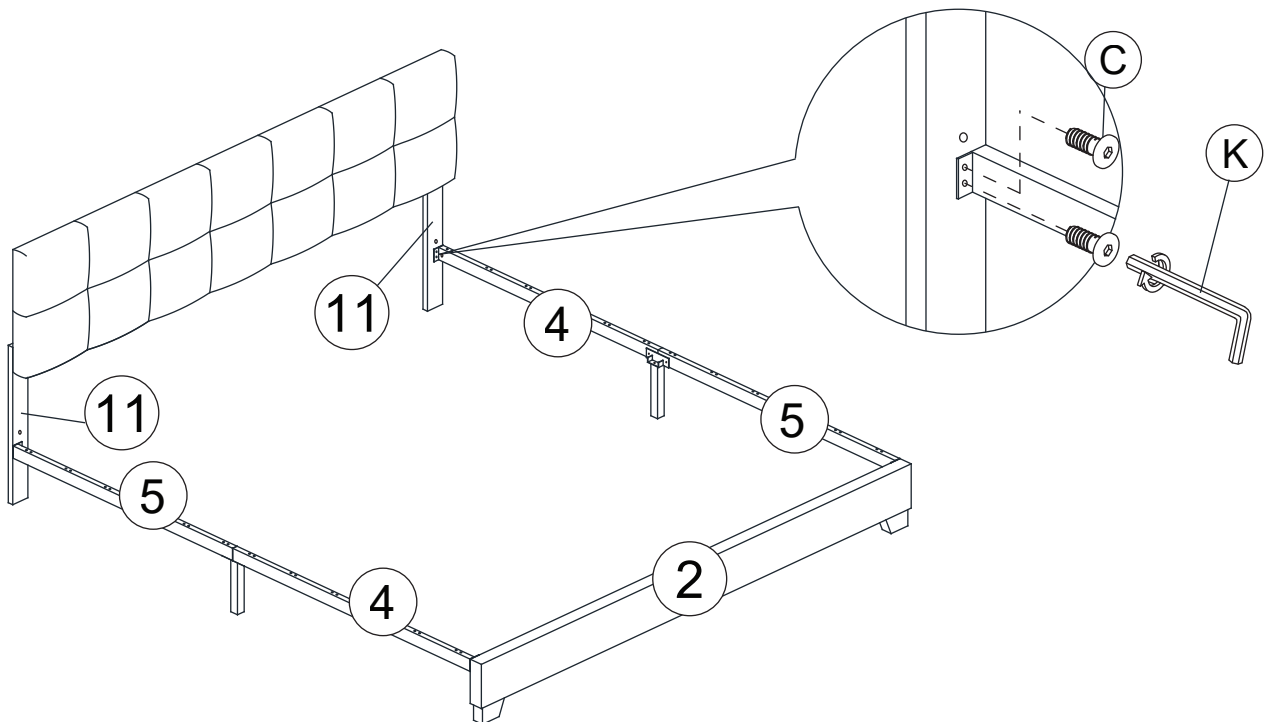


-KING BED ASSEMBLY INSTRUCTION

STEP 5

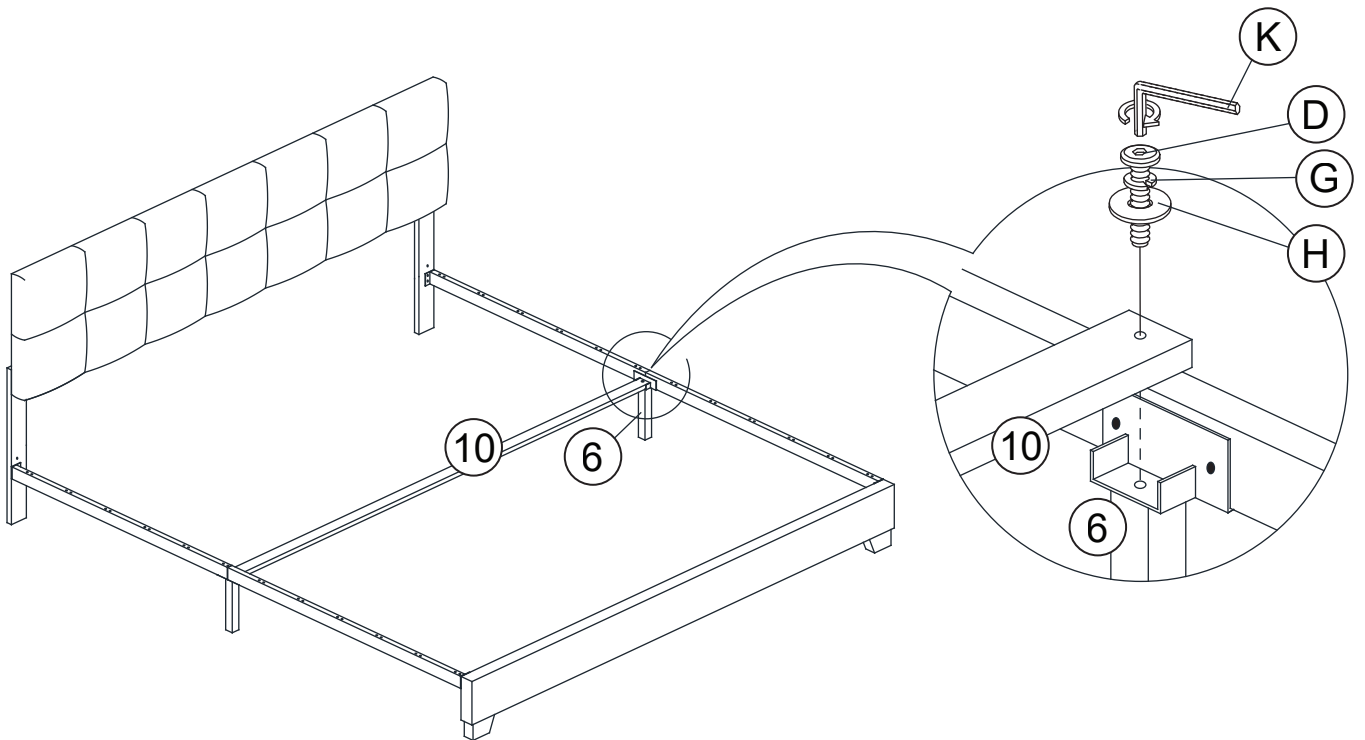


STEP 6

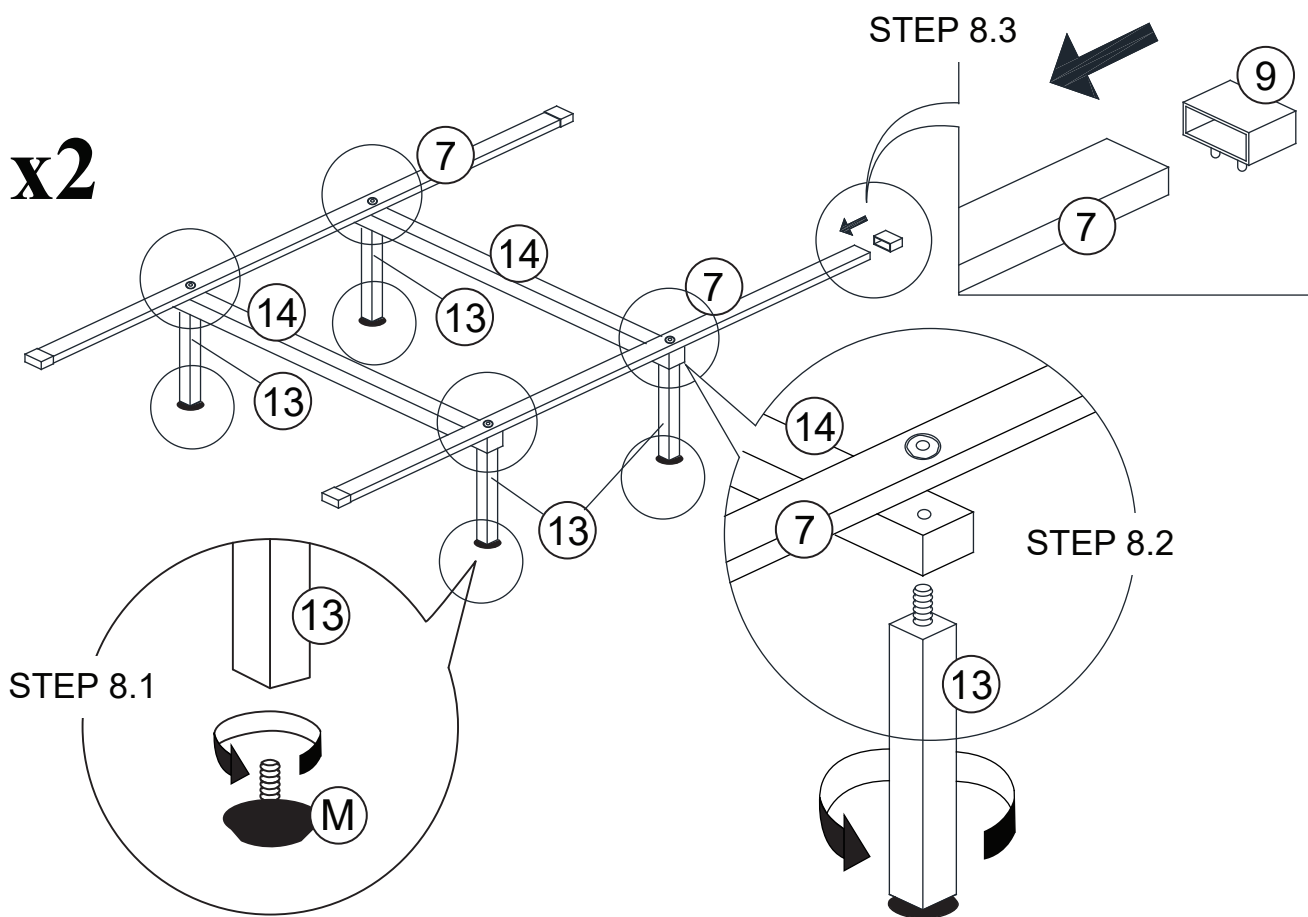


-KING BED ASSEMBLY INSTRUCTION

STEP 7

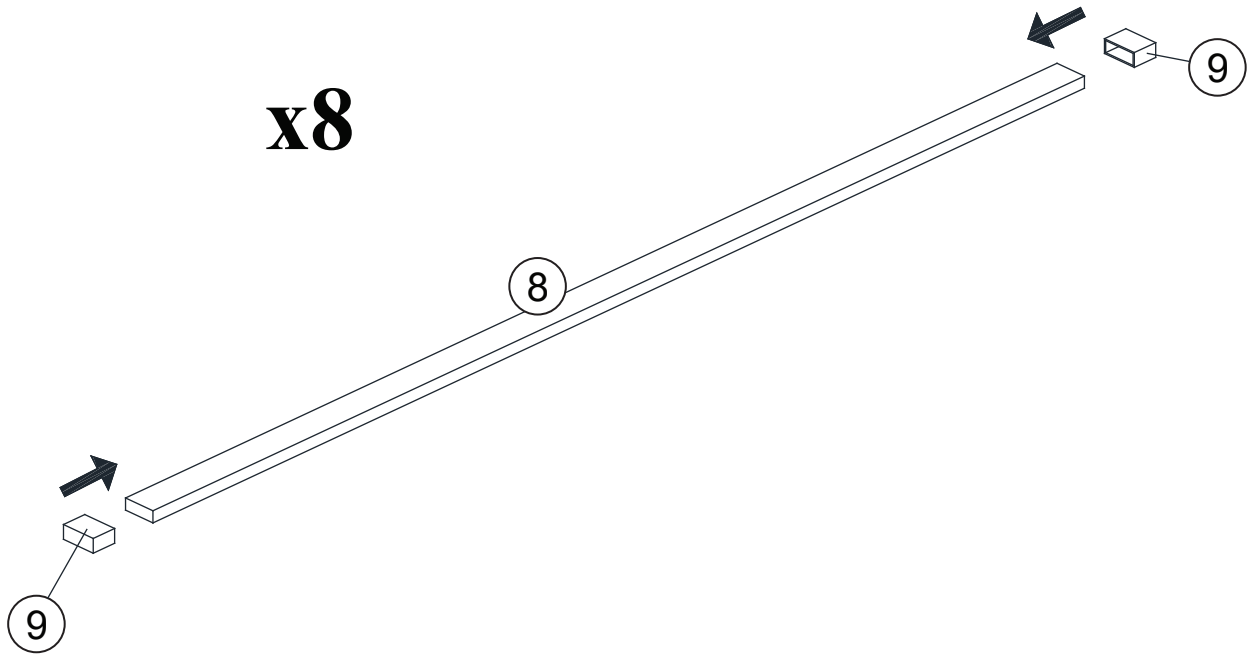


STEP 8

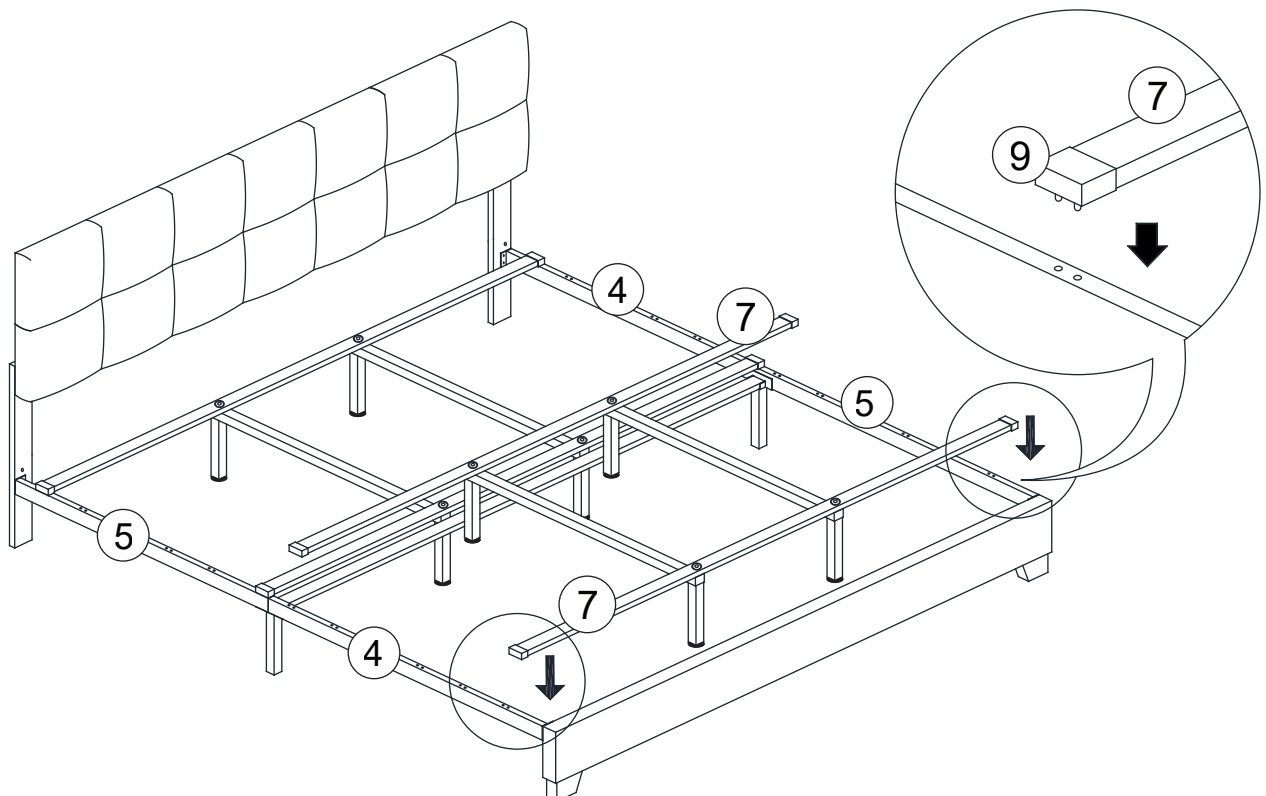


-KING BED ASSEMBLY INSTRUCTION

STEP 9

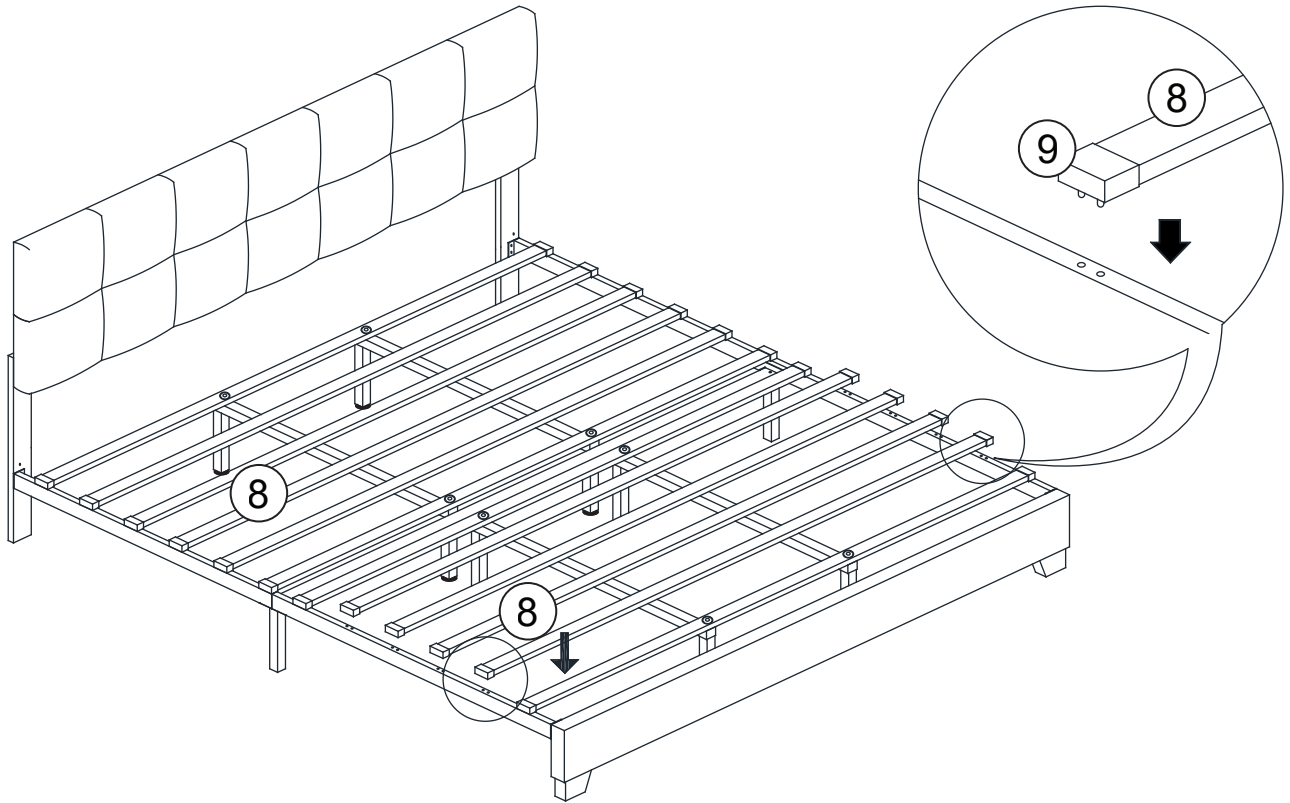


STEP 10

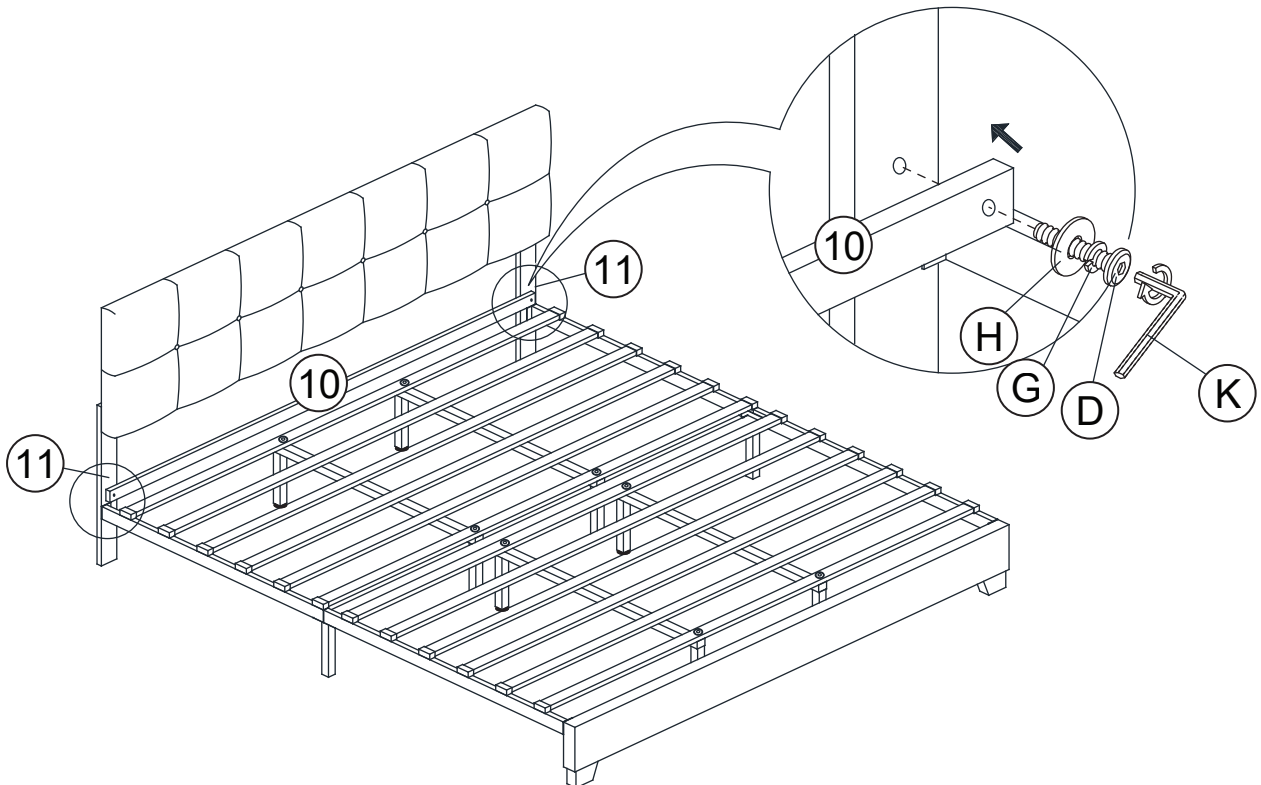


-KING BED ASSEMBLY INSTRUCTION

STEP 11

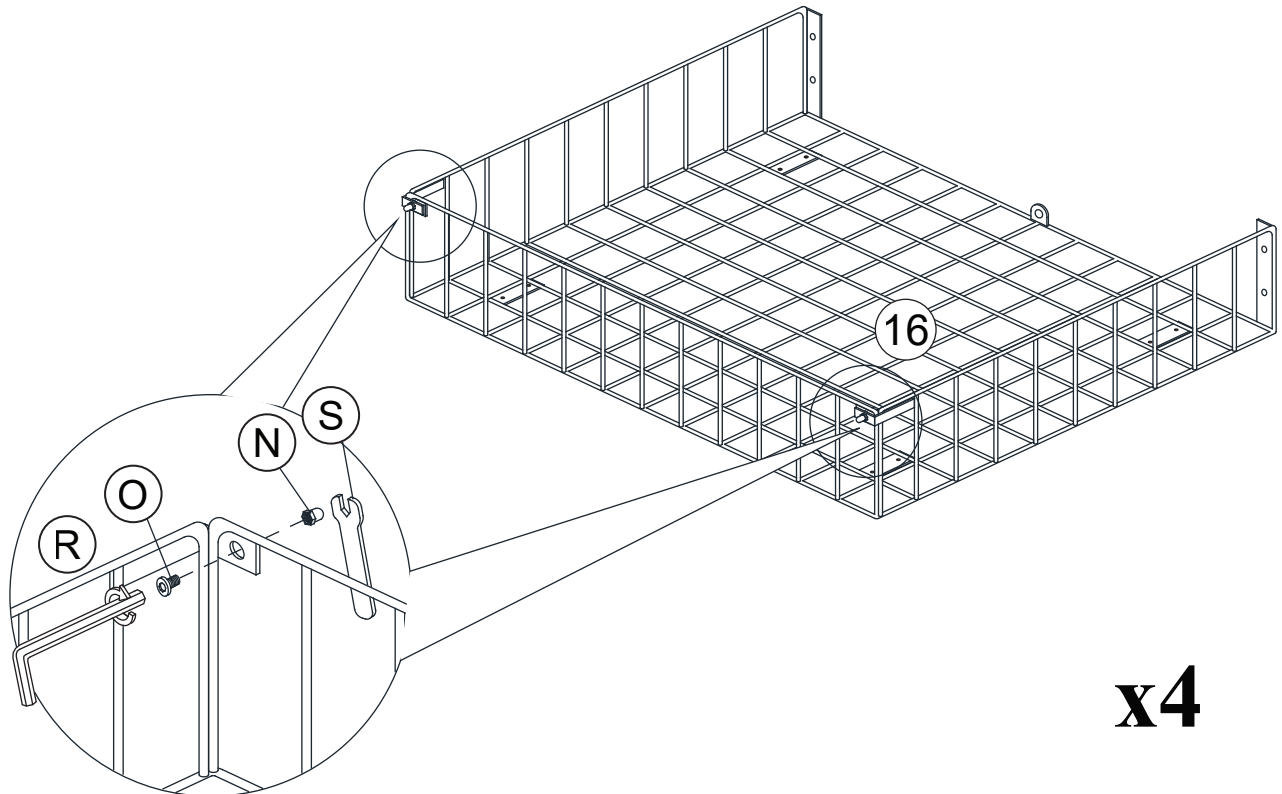


STEP 12

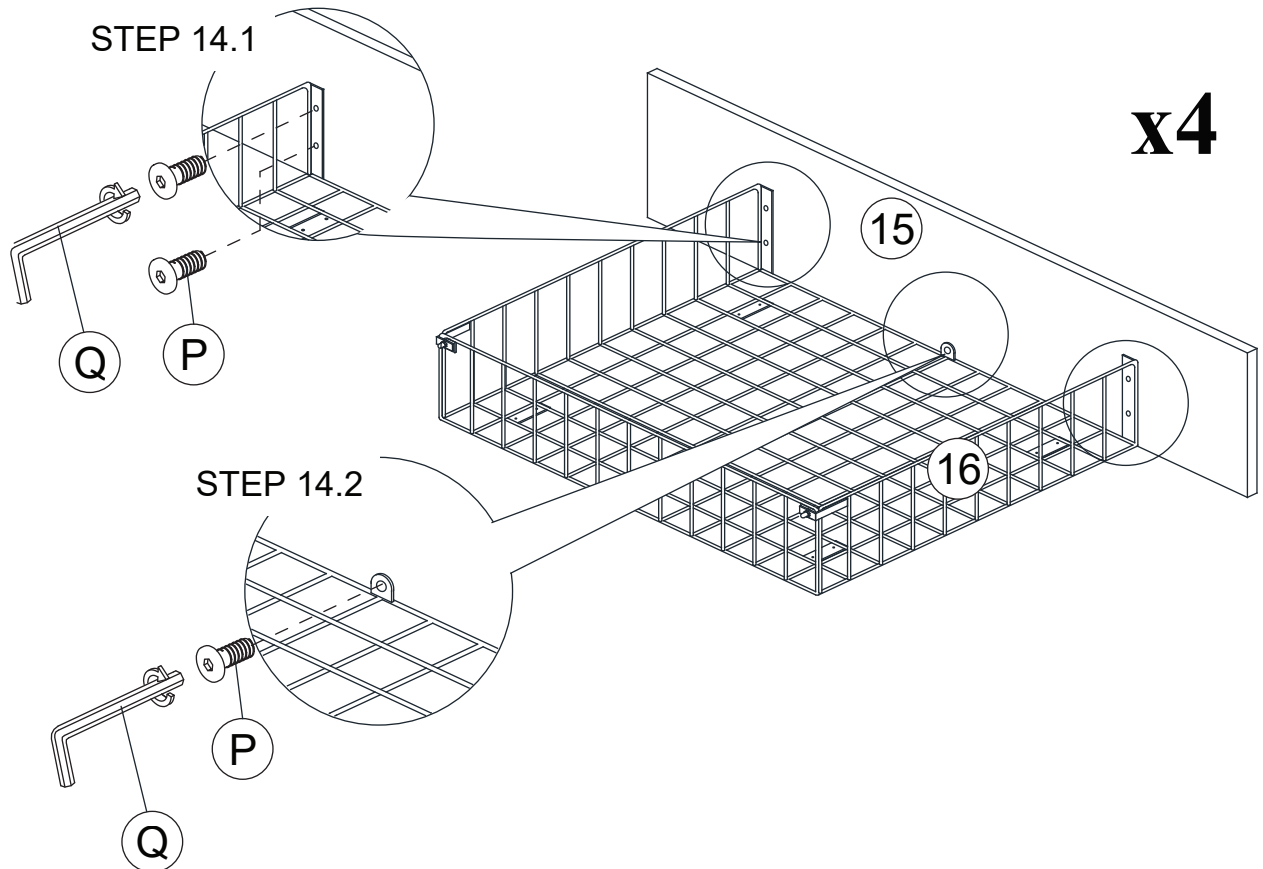


-KING BED ASSEMBLY INSTRUCTION

STEP 13

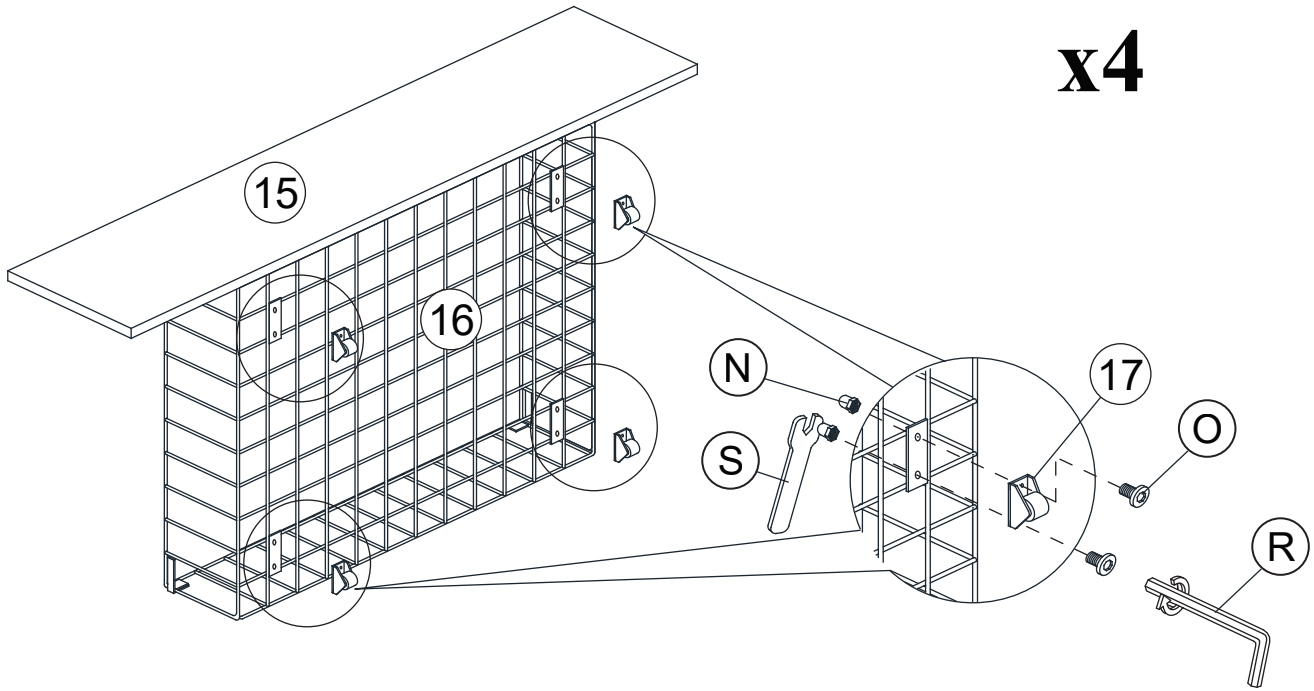


STEP 14

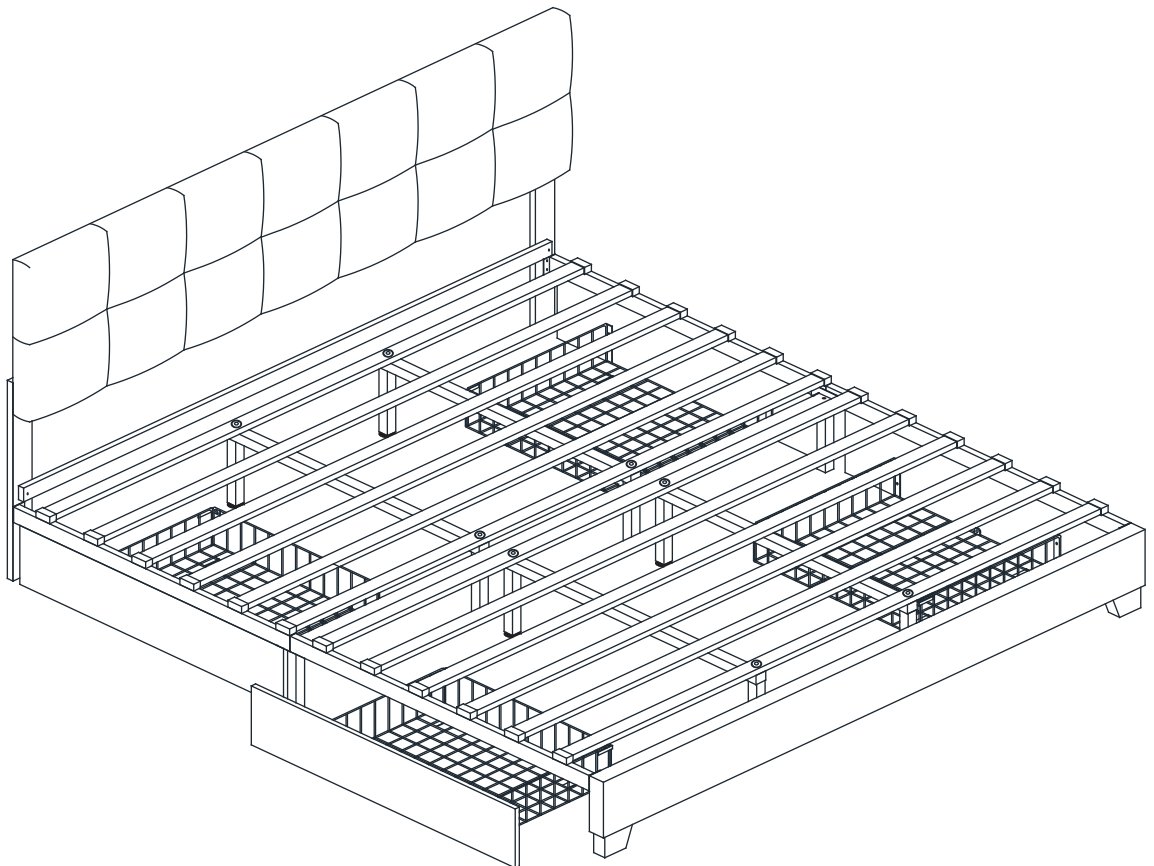


-KING BED ASSEMBLY INSTRUCTION

STEP 15



STEP 16



ASSEMBLY COMPLETED