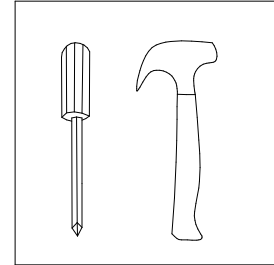
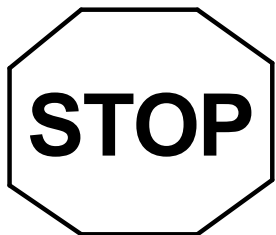
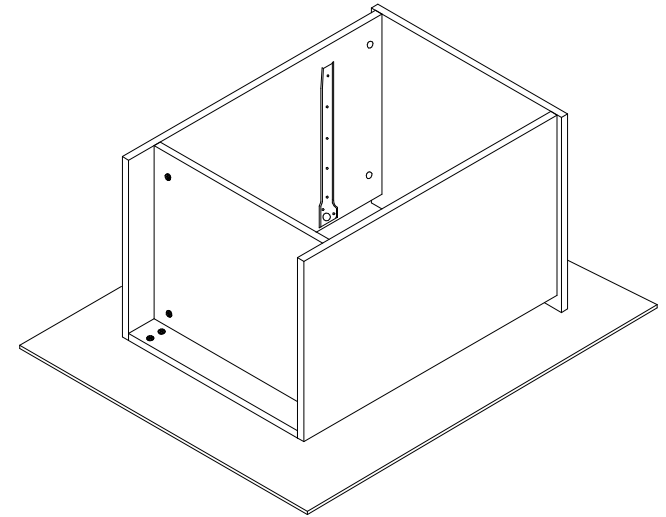
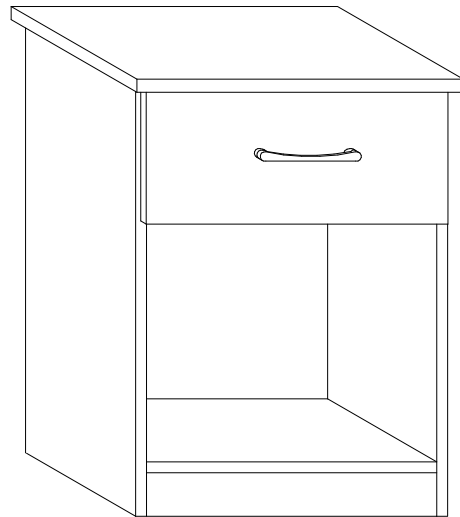


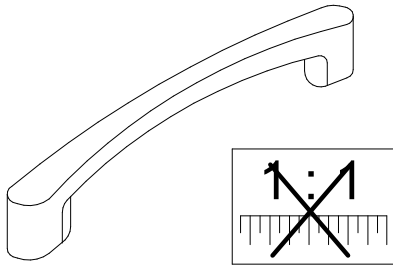
Required Tools : Screwdriver & Hammer



NIGHT STAND

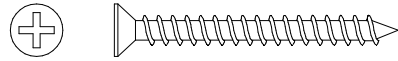


Please place on the carton while installing to prevent damage or scratches.



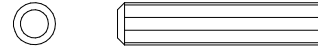
A | **1PC**

Plastic Handle



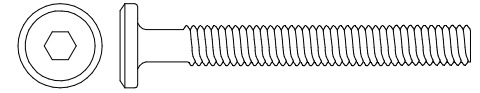
B | **2PCS**

Handle Screw
M4 X 40mm



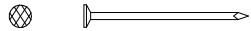
C | **6PCS**

Wood Dowel
M6 X 30mm



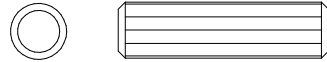
D | **2PCS**

JCBC Bolt
M6 X 50mm



E | **22PCS**

Nail



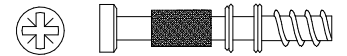
F | **6PCS**

Wood Dowel
M8 X 30mm



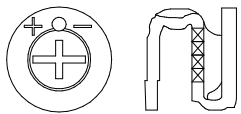
G | **1PC**

Allen Key



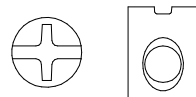
H | **16PCS**

Cam Screw



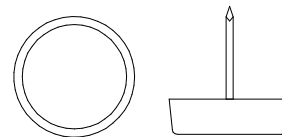
I | **16PCS**

Cam Lock



J | **2PCS**

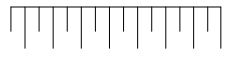
Barrel Nut



K | **4PCS**

Nail Leg With Pin

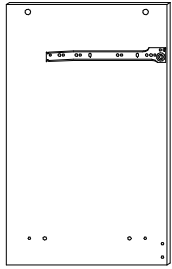
1 : 1



ASSEMBLY INSTRUCTION (PART)

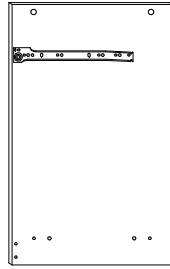
NIGHT STAND

1G



SIDE PANEL (R)
(1PC)

2G



SIDE PANEL (L)
(1PC)

3G

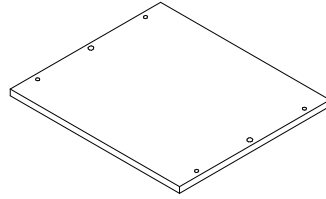
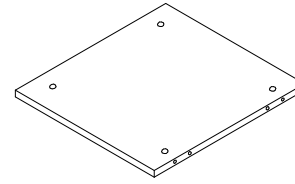


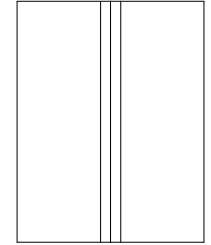
TABLE TOP
(1PC)

4G



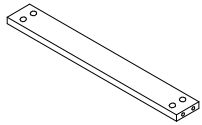
BOTTOM
(1PC)

5G



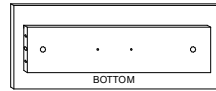
BACK PANEL
(1PC)

6G



APRON PANEL
(1PC)

7G



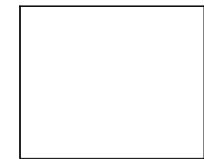
DRAWER TOP
(1PC)

8G



DRAWER BACK PANEL
(1PC)

11G



DRAWER PANEL
(1PC)

9G



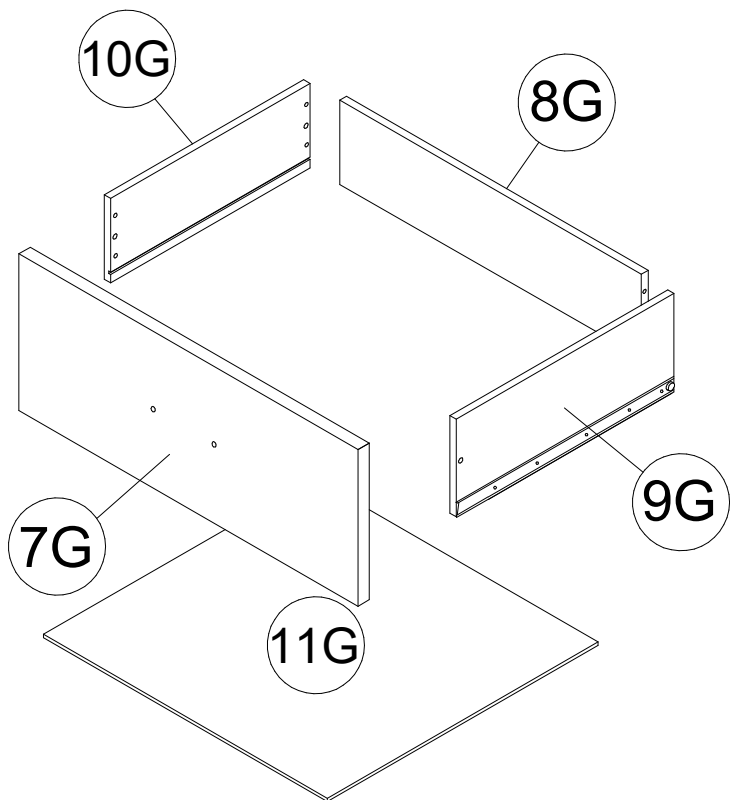
DRAWER SIDE PANEL
R (1PC)

10G

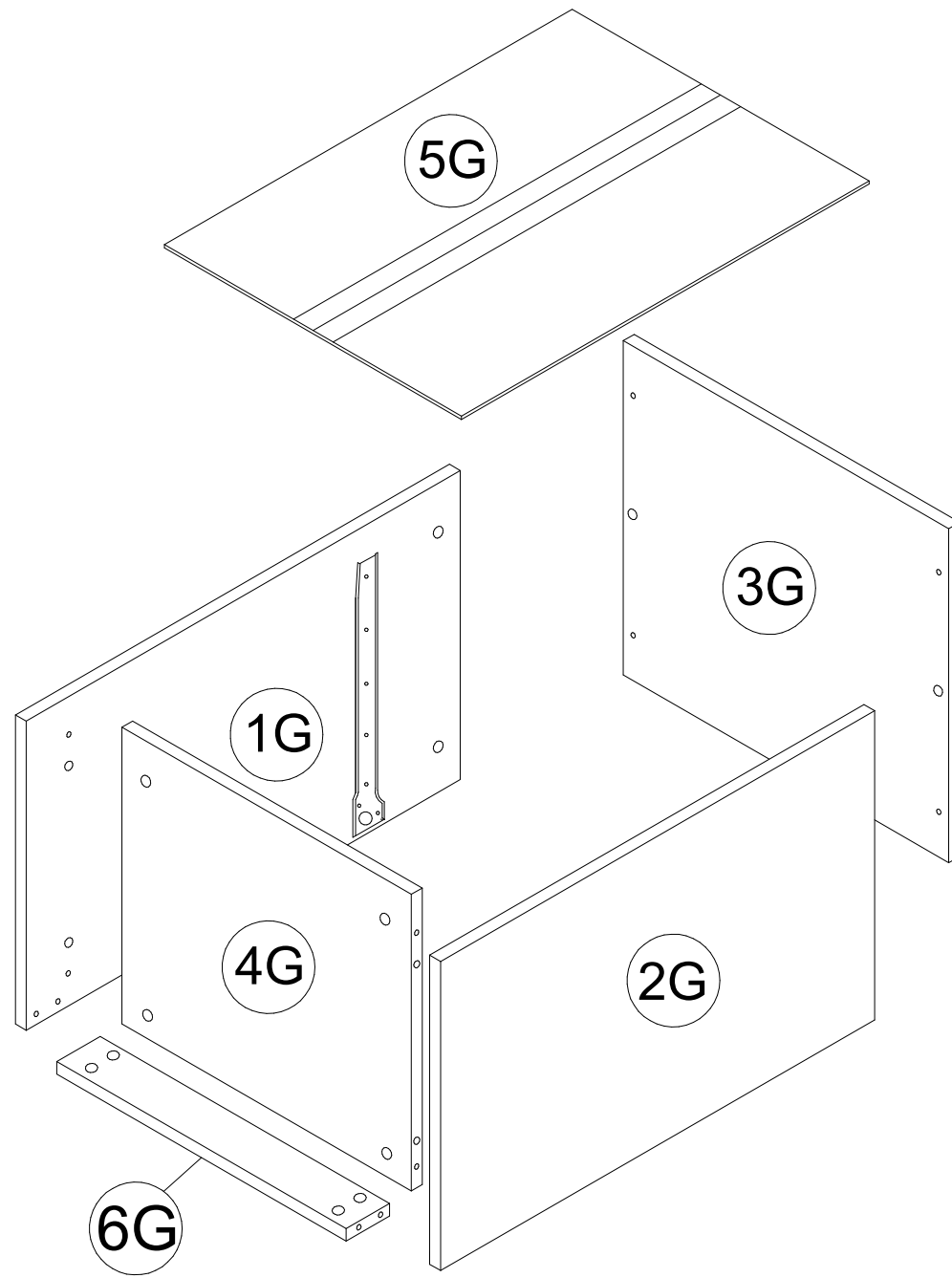


DRAWER SIDE PANEL
L (1PC)

NIGHT STAND



1X Drawer



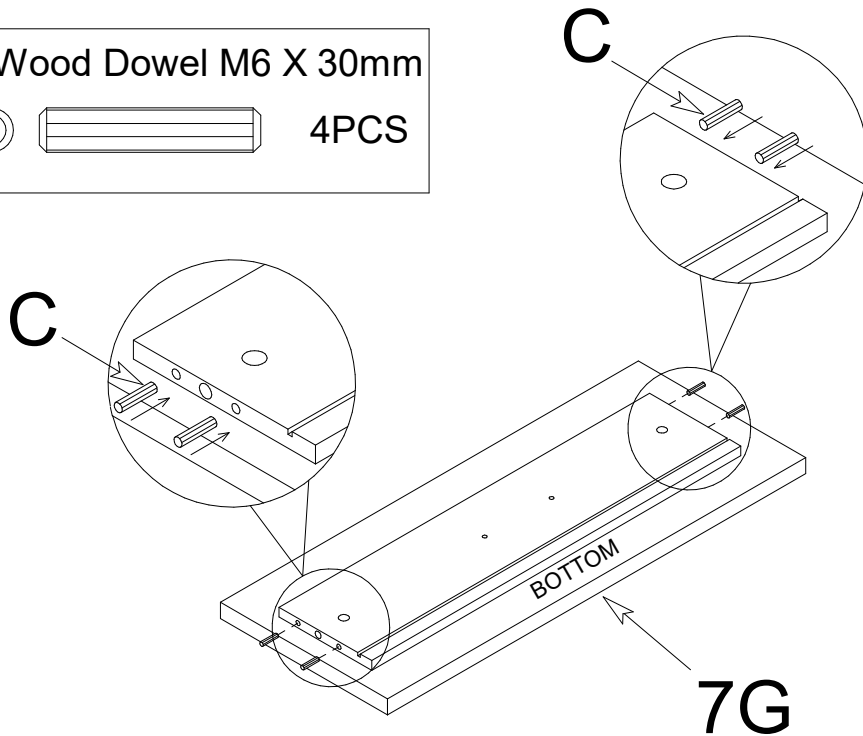
ASSEMBLY INSTRUCTION

NIGHT STAND

STEP 1.

1X Drawer

C-Wood Dowel M6 X 30mm



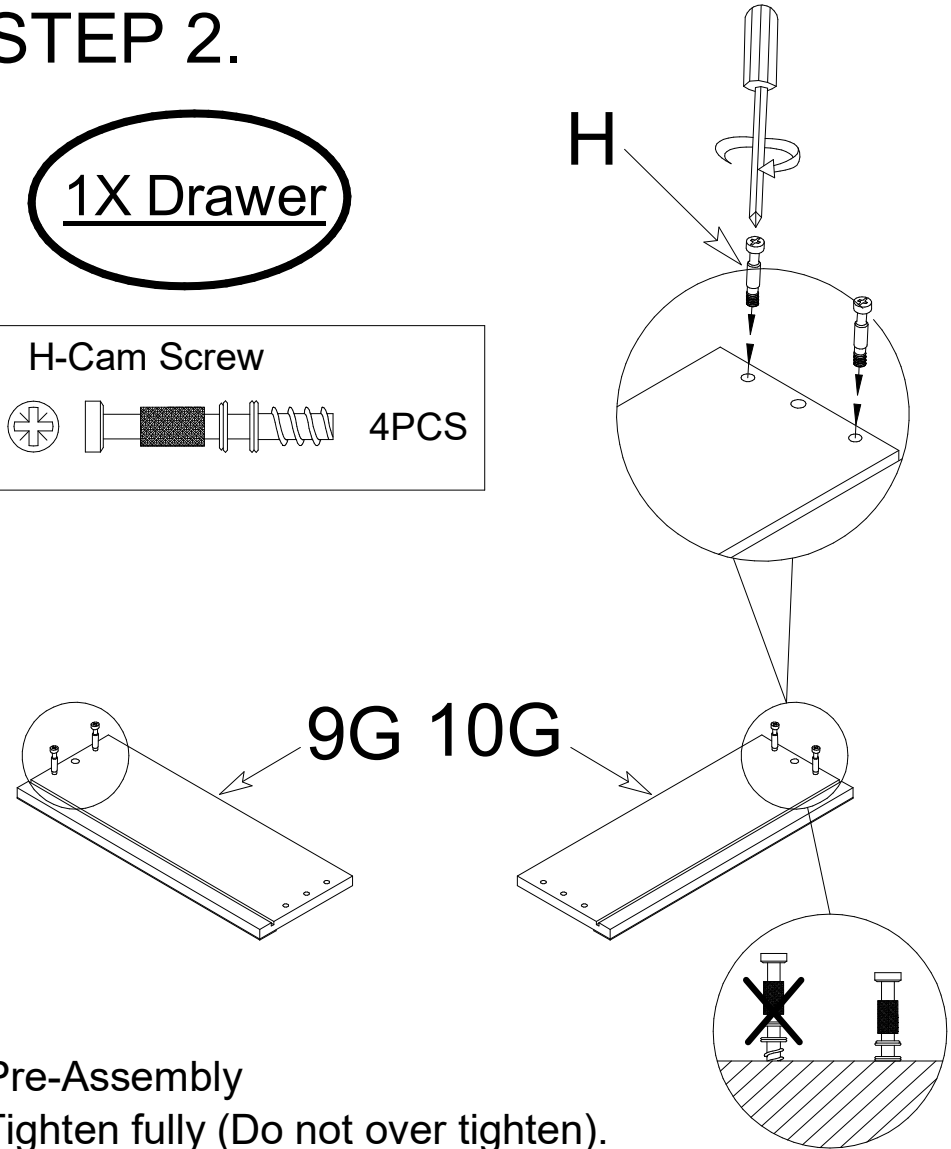
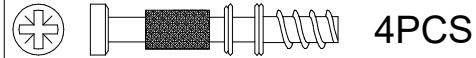
Pre-Assembly

Insert wood dowel in predrilled hole.

STEP 2.

1X Drawer

H-Cam Screw



Pre-Assembly

Tighten fully (Do not over tighten).

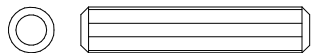
ASSEMBLY INSTRUCTION

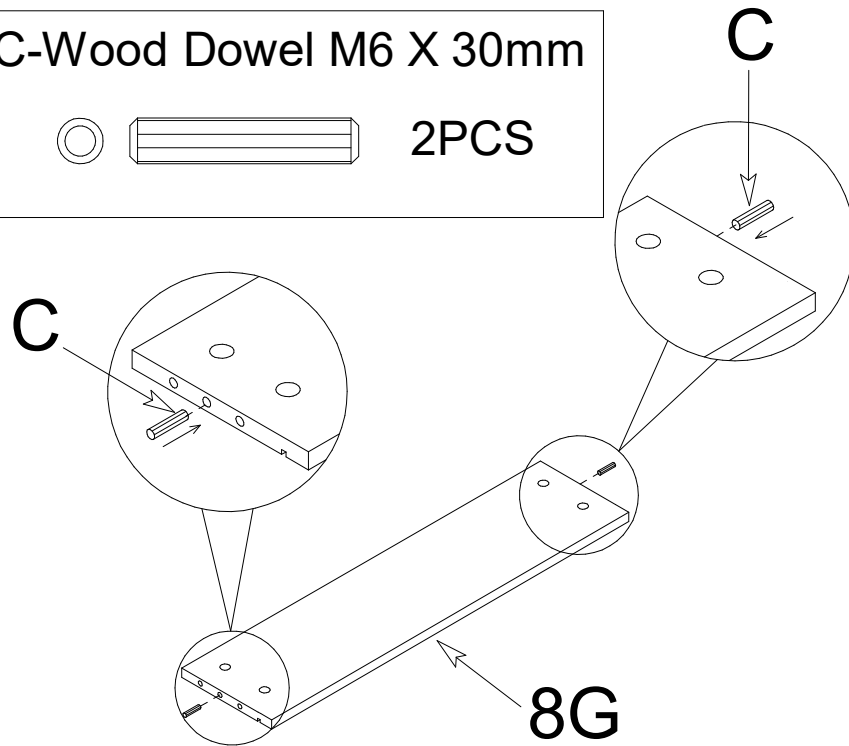
NIGHT STAND

STEP 3.

1X Drawer

C-Wood Dowel M6 X 30mm

 2PCS



Pre-Assembly

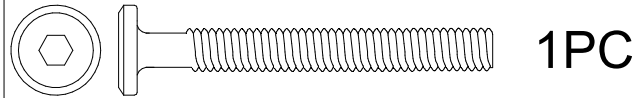
Insert wood dowel in predrilled hole.

STEP 4.

1X Drawer

10G

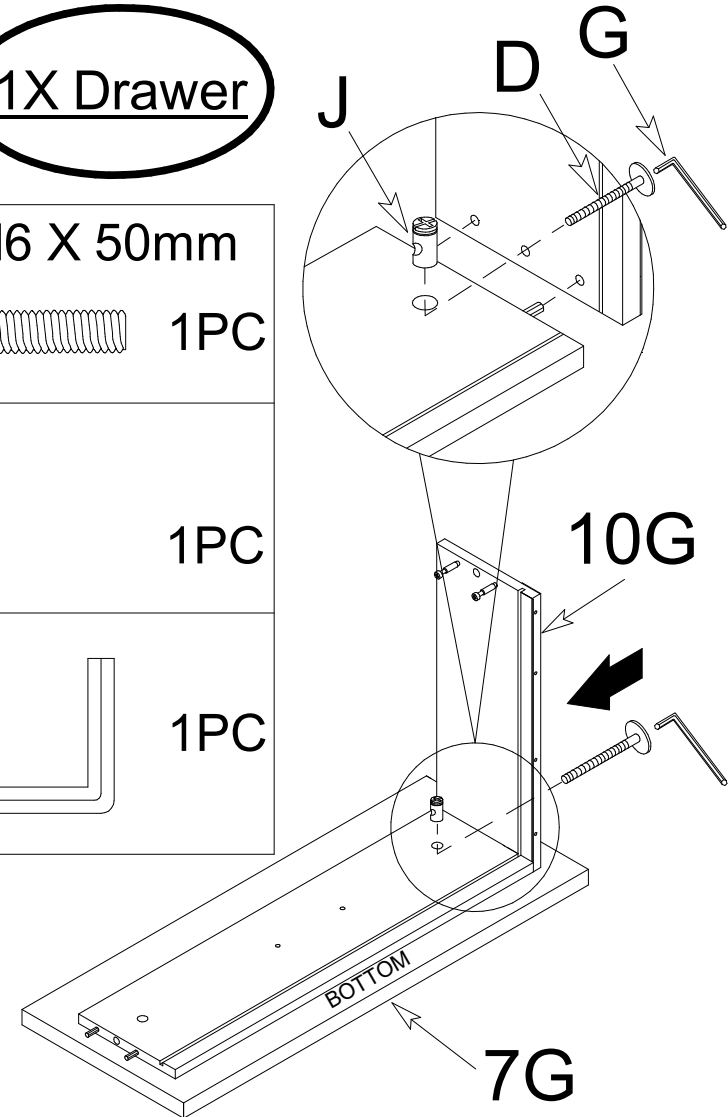
D-JCBC Bolt M6 X 50mm



J-Barrel Nut



G-Allen Key



Tighten fully. (Do not over tighten).

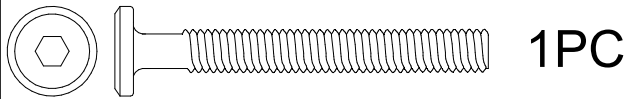
ASSEMBLY INSTRUCTION NIGHT STAND

STEP 5.

1X Drawer

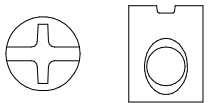
9G

D-JCBC Bolt M6 X 50mm



1PC

J-Barrel Nut

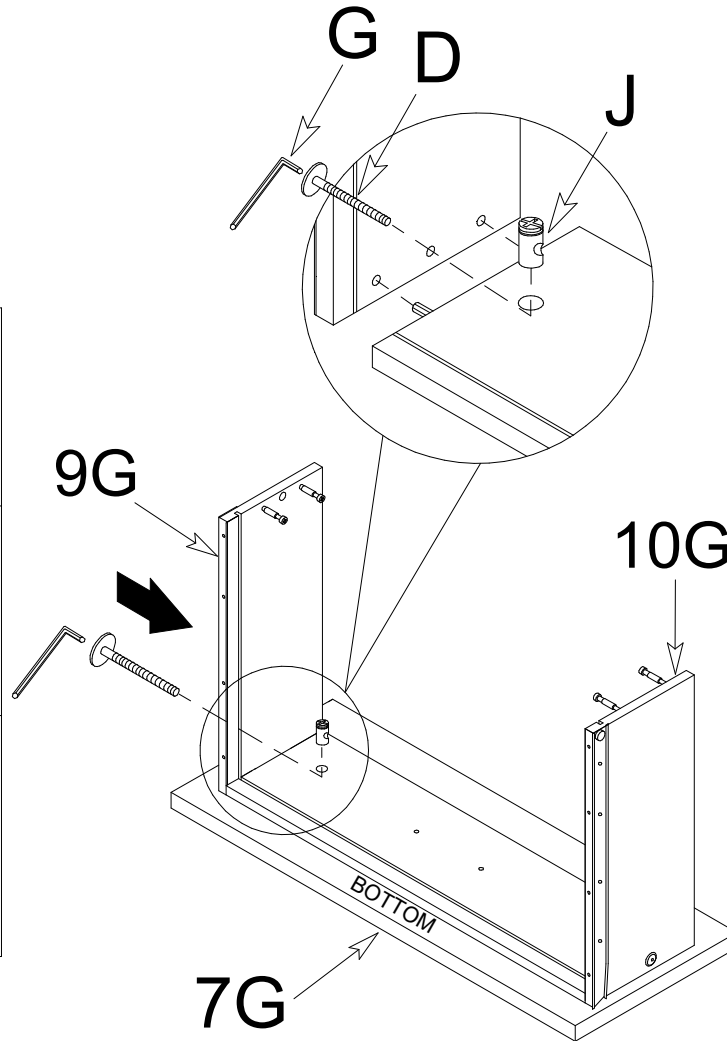


1PC

G-Allen Key



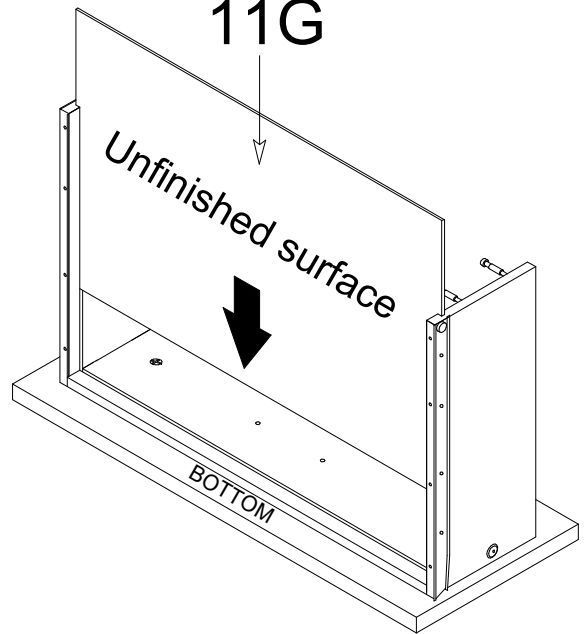
1PC



STEP 6.

1X Drawer

11G



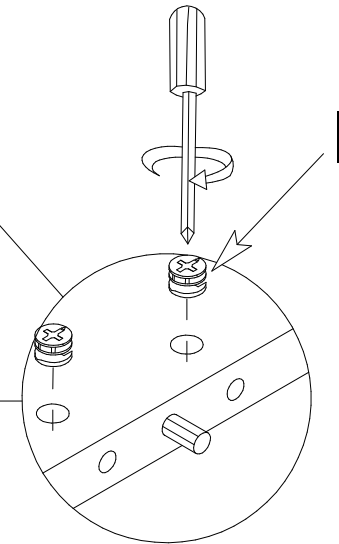
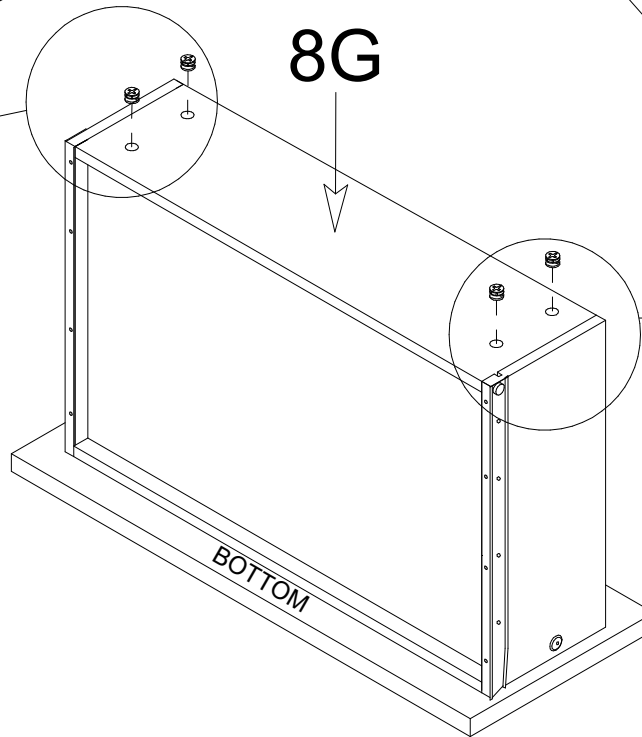
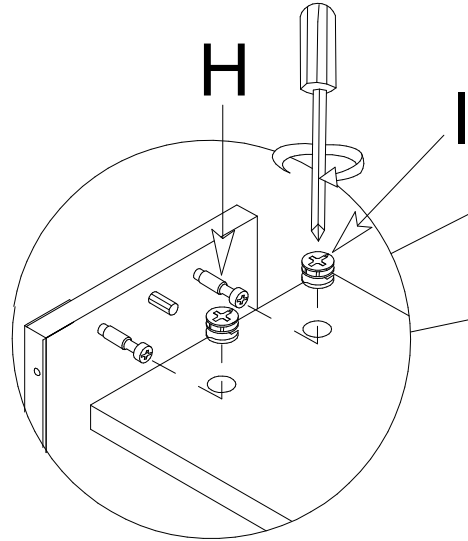
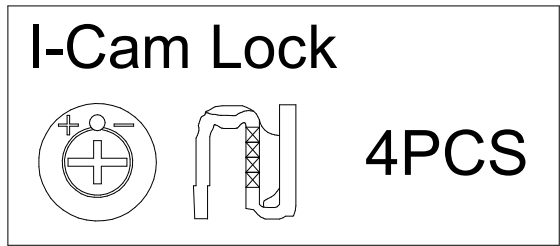
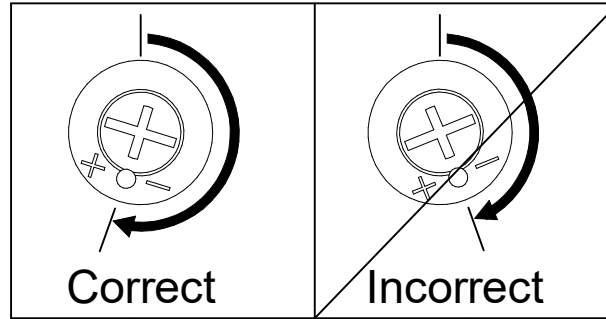
Tighten fully. (Do not over tighten).

ASSEMBLY INSTRUCTION

NIGHT STAND

STEP 7.

Tighten fully. (Do not over tighten).



1X Drawer

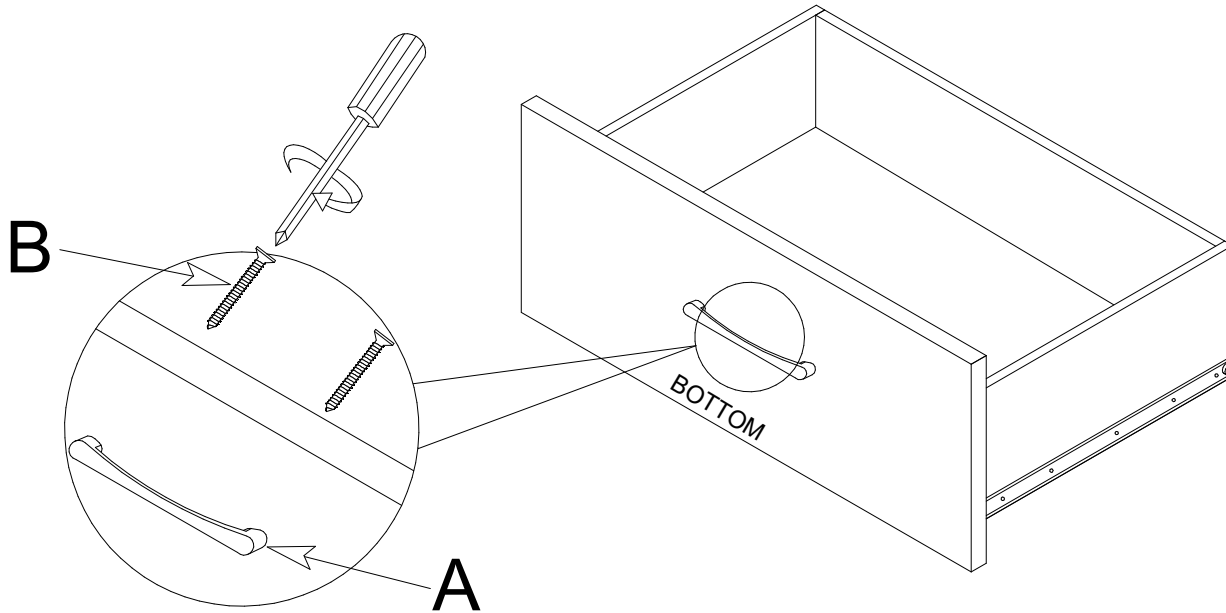
Proper orientation
of Cam Lock (I).
1/2 turn to fully lock.

ASSEMBLY INSTRUCTION

NIGHT STAND

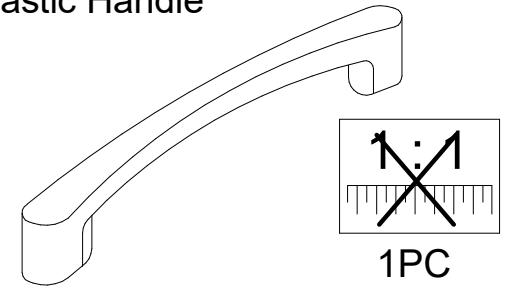
STEP 8.

1X Drawer

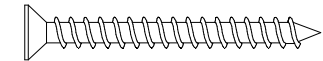


Attach handle using handle screw (B).

A-Plastic Handle



B-Handle Screw M4 X 40mm



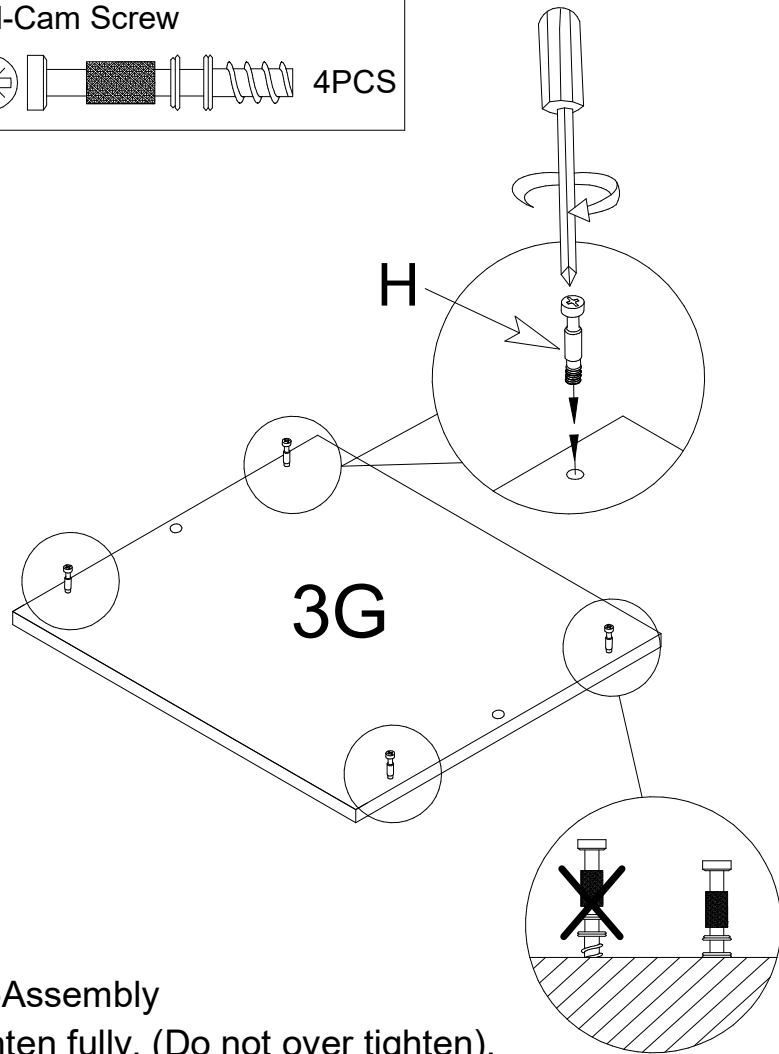
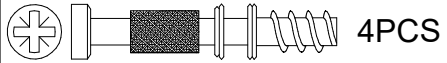
2PCS

ASSEMBLY INSTRUCTION

NIGHT STAND

STEP 9.

H-Cam Screw

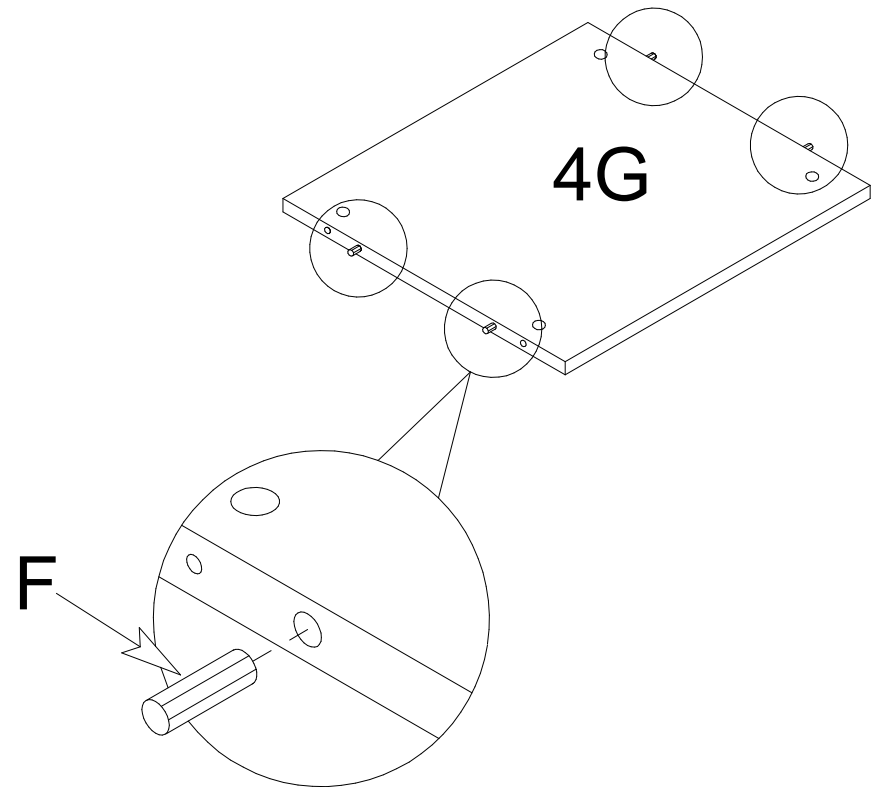
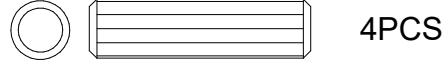


Pre-Assembly

Tighten fully. (Do not over tighten).

STEP 10.

F-Wood Dowel M8 X 30

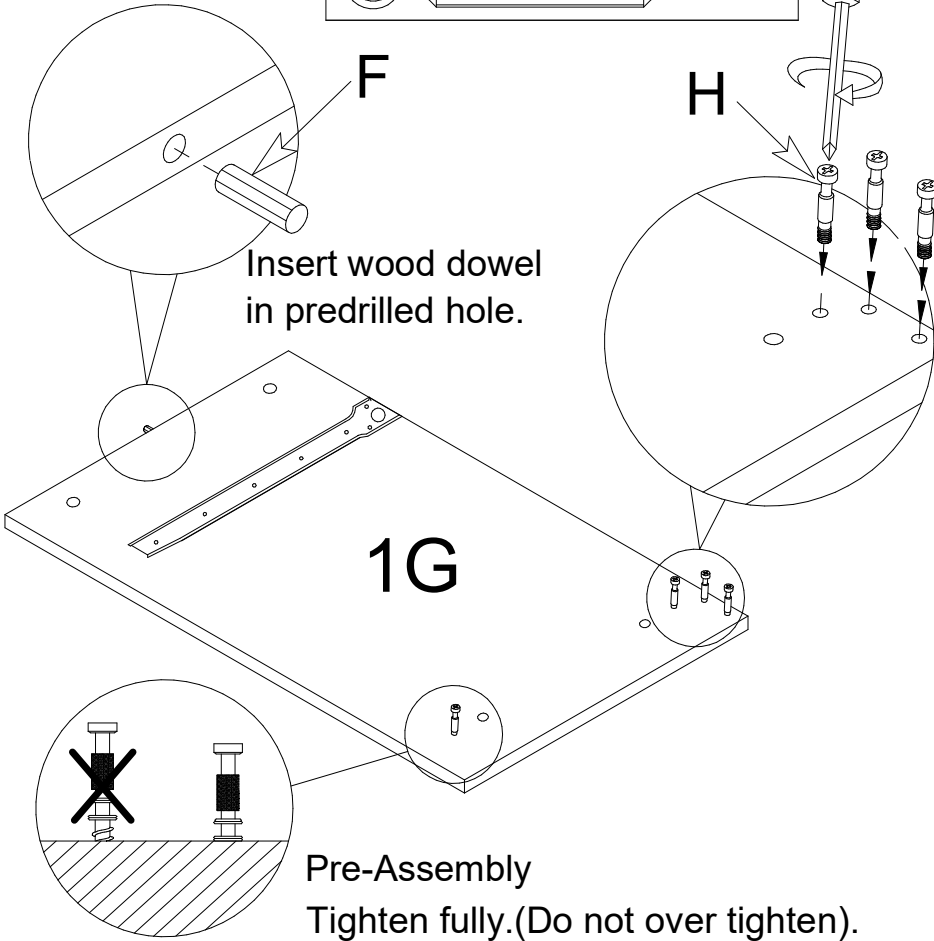
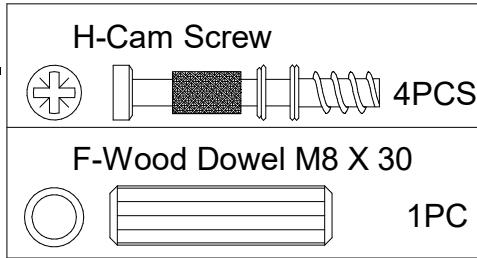


Insert wood dowel
in predrilled hole.

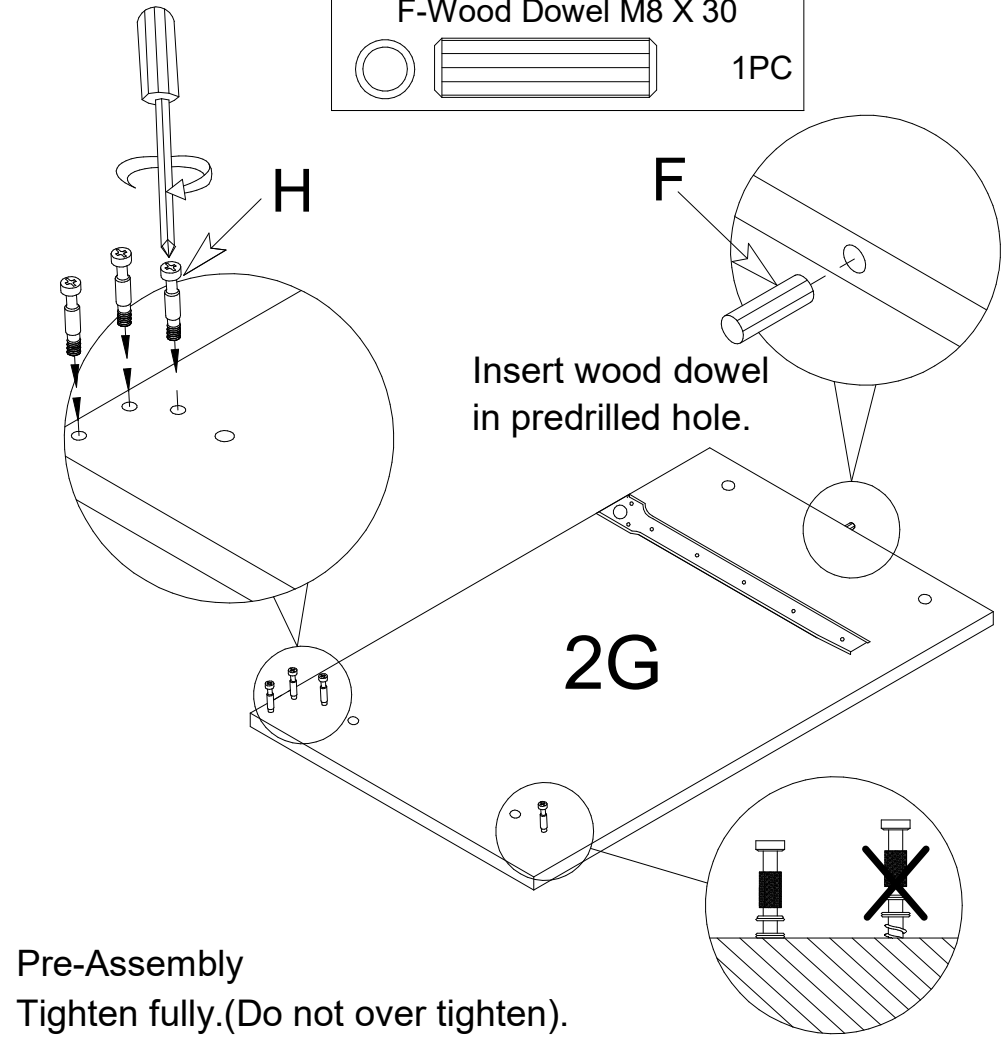
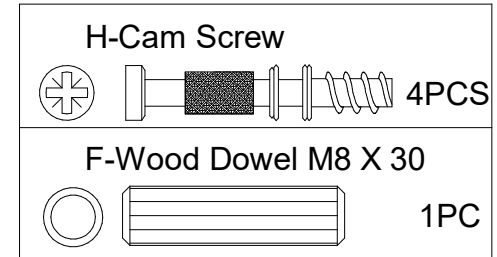
ASSEMBLY INSTRUCTION

NIGHT STAND

STEP 11.

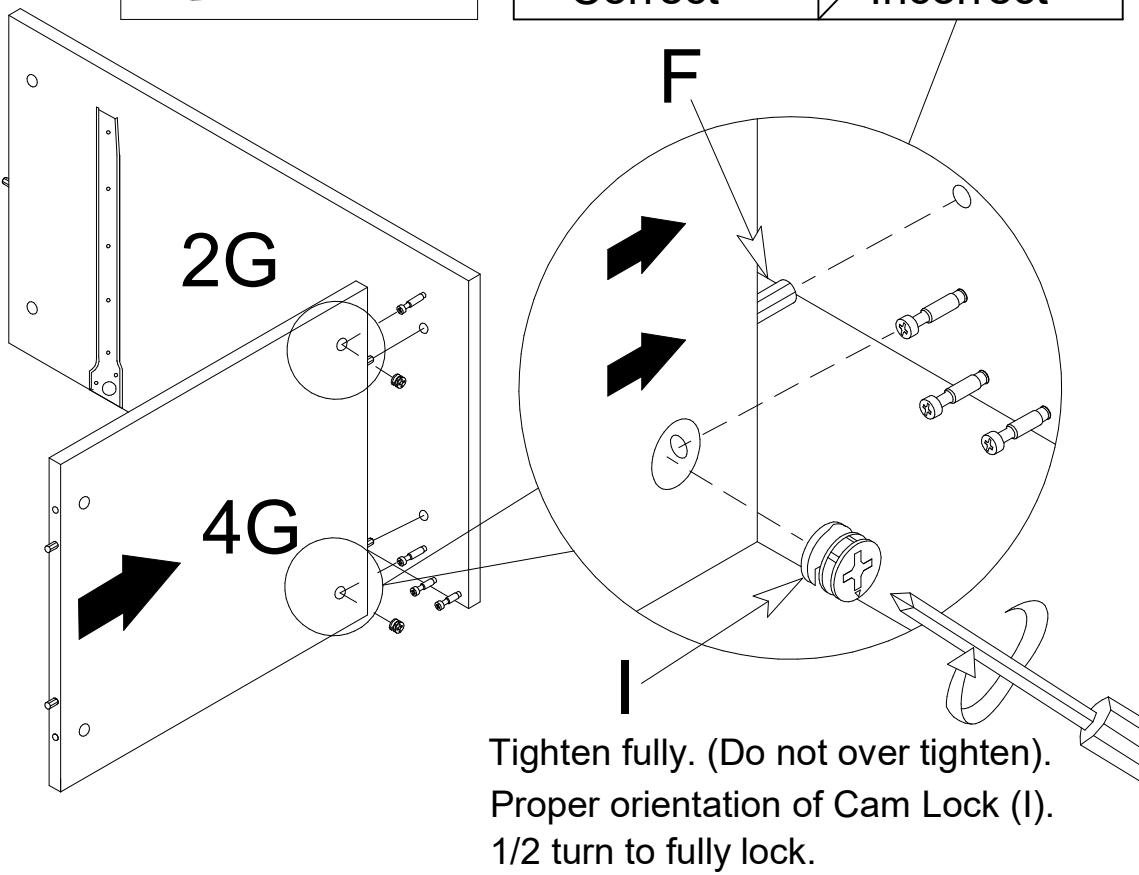
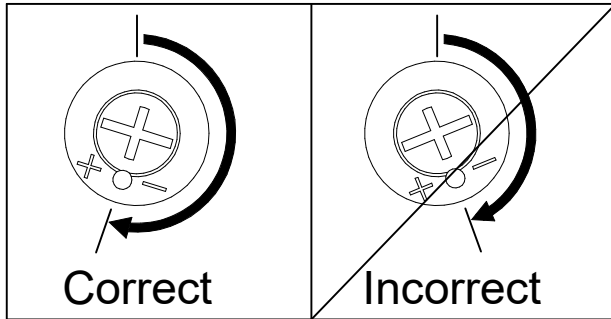
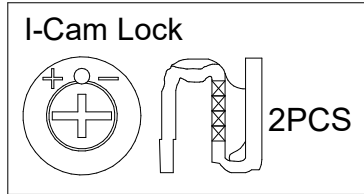


STEP 12.

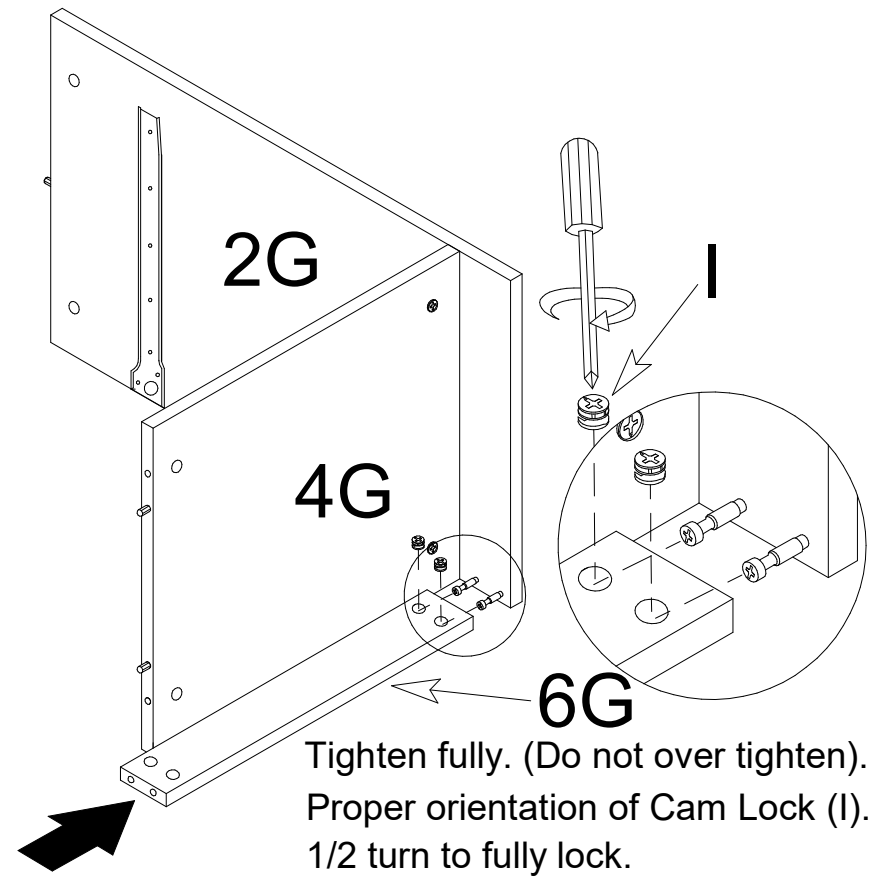
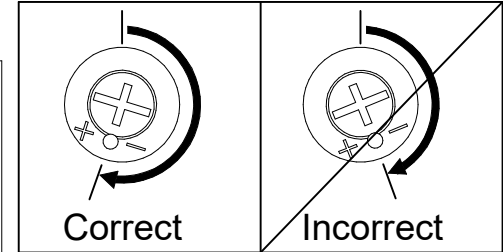
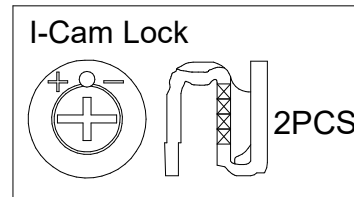


ASSEMBLY INSTRUCTION NIGHT STAND

STEP 13.



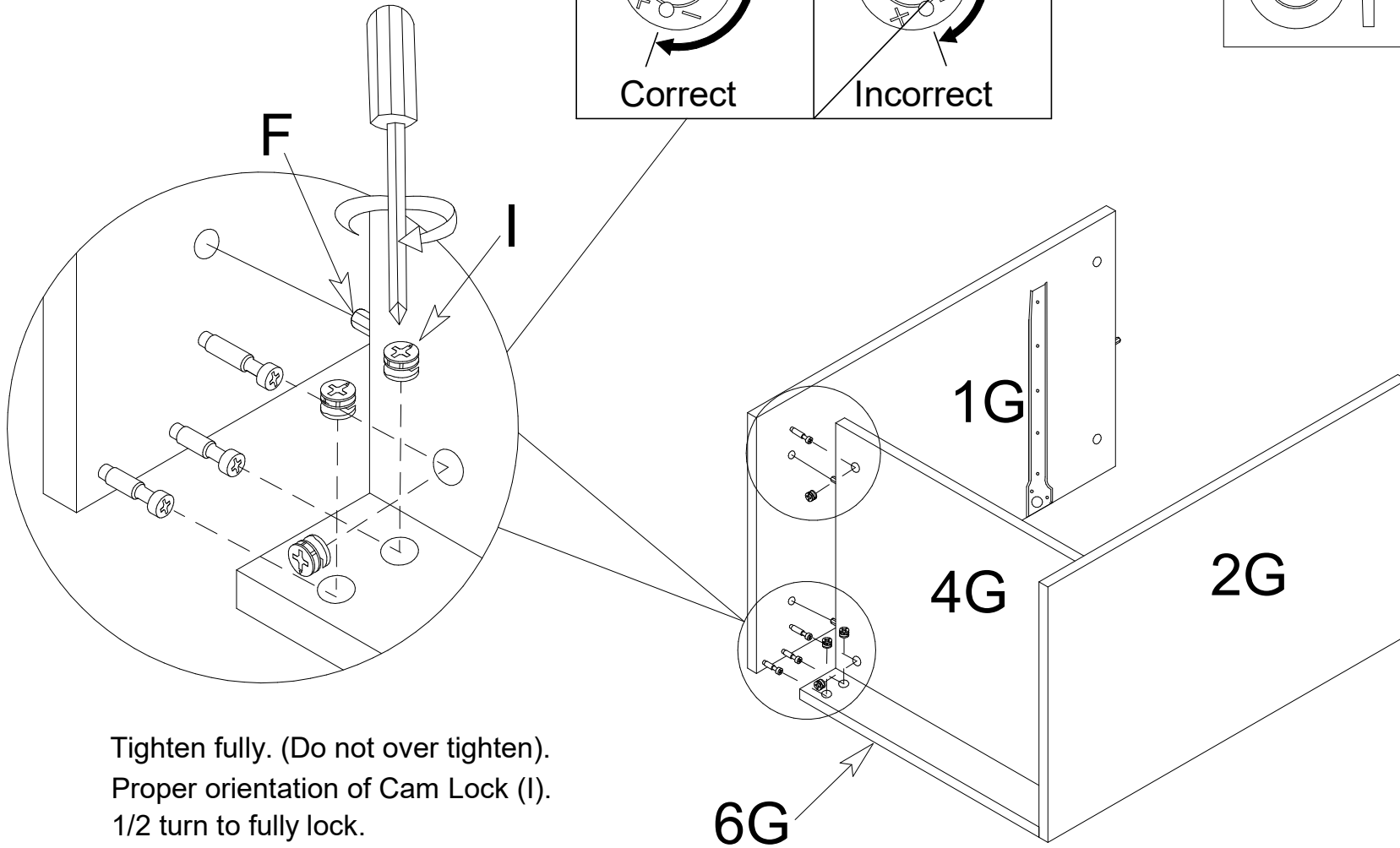
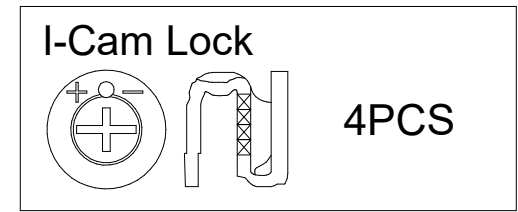
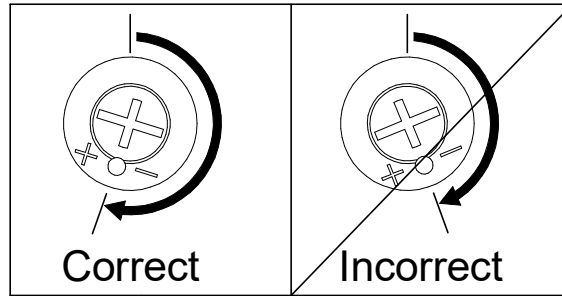
STEP 14.



ASSEMBLY INSTRUCTION

NIGHT STAND

STEP 15.

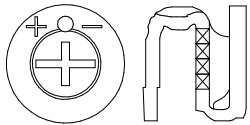


ASSEMBLY INSTRUCTION

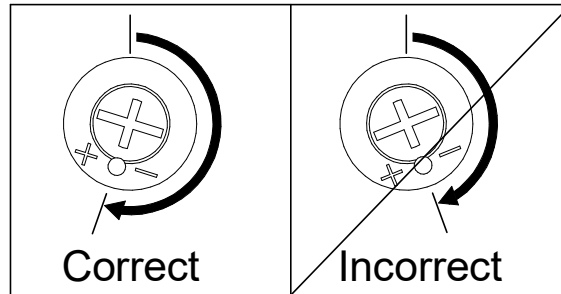
NIGHT STAND

STEP 16.

I-Cam Lock

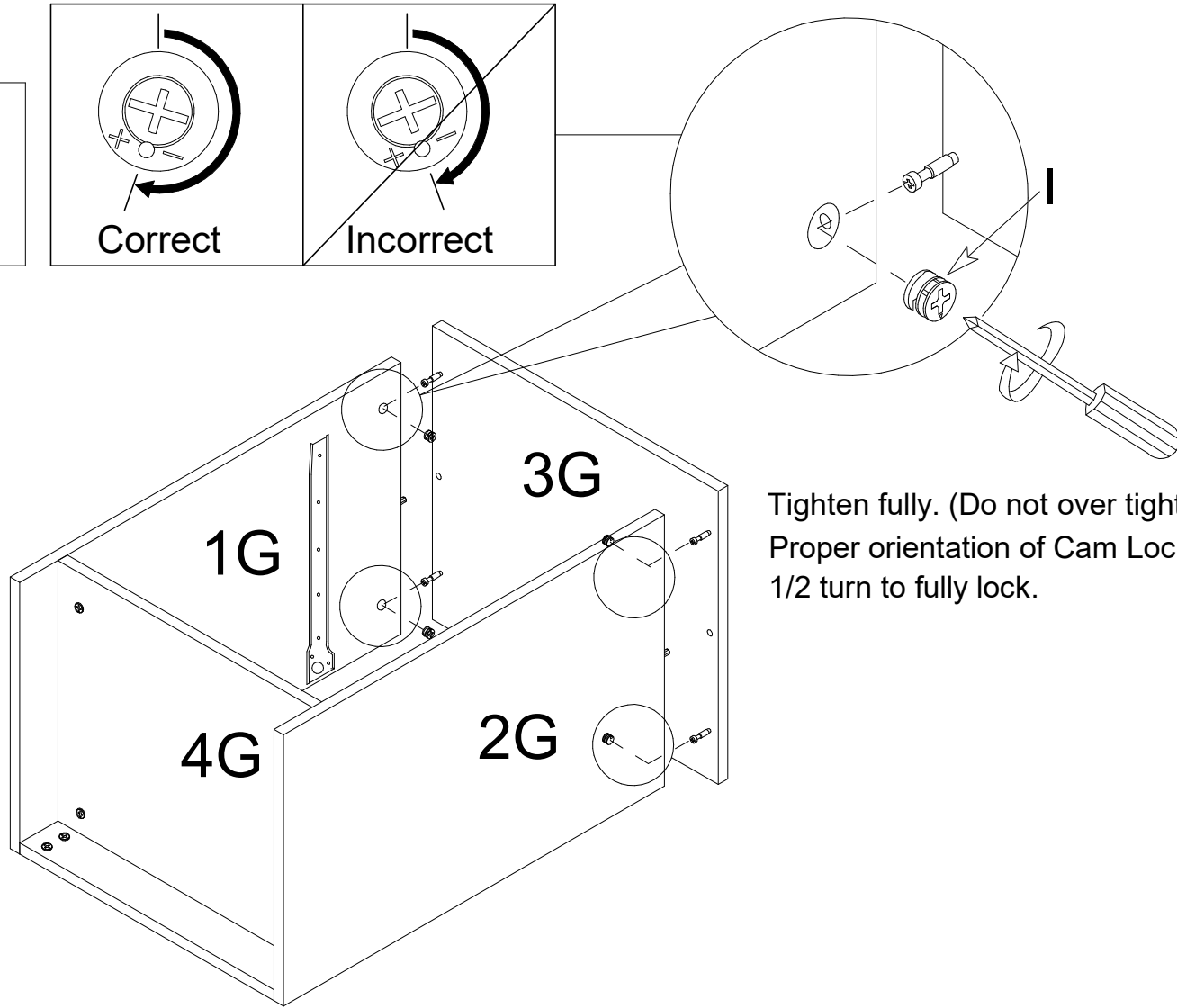


4PCS



Correct

Incorrect





Tighten fully. (Do not over tighten).
Proper orientation of Cam Lock (I).
1/2 turn to fully lock.

ASSEMBLY INSTRUCTION

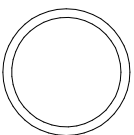
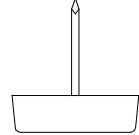
NIGHT STAND

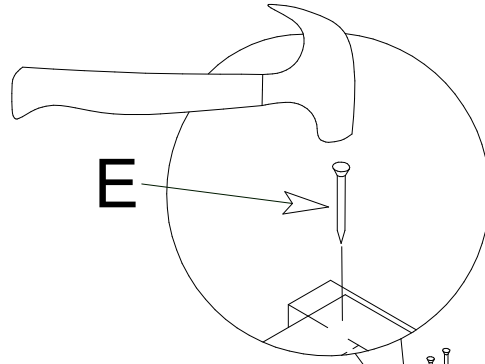
STEP 17.

E-Nail

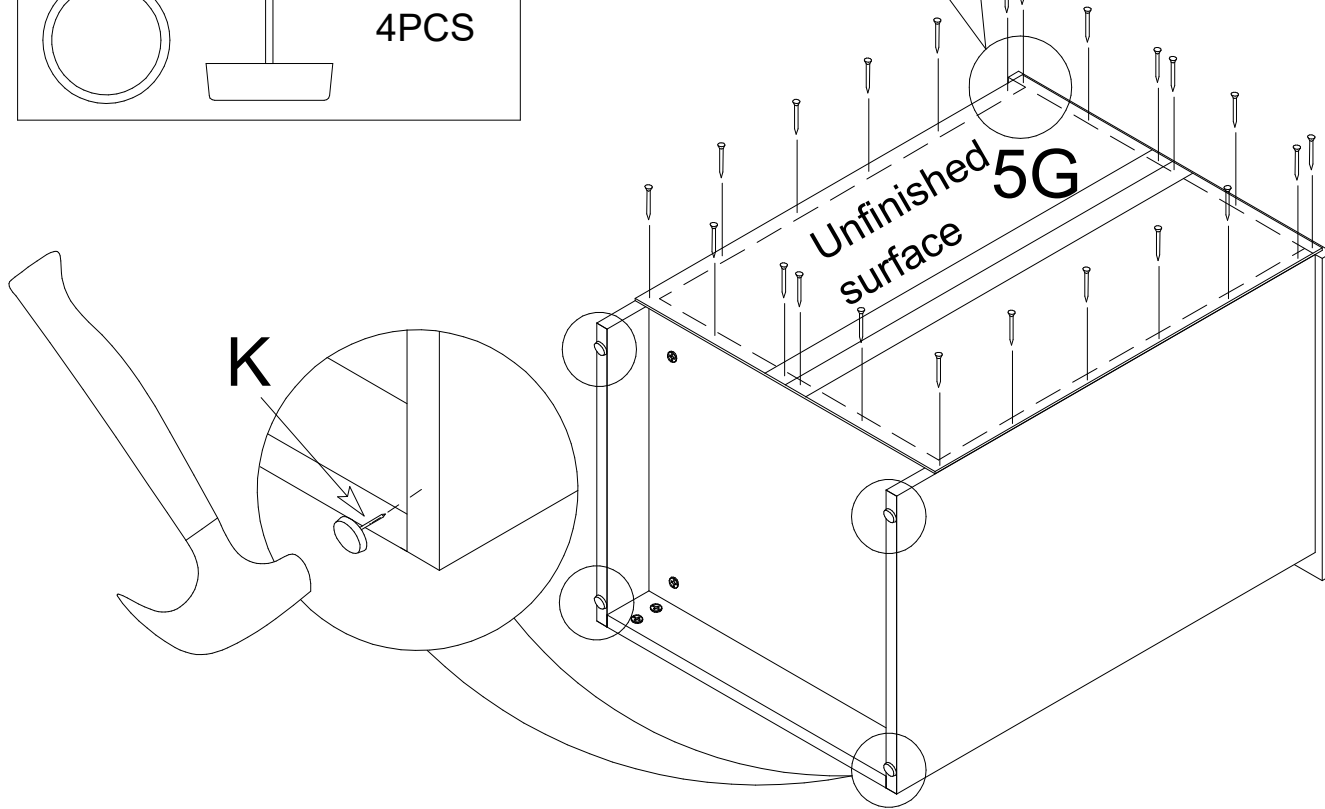
  22PCS

K-Nail Leg With Pin

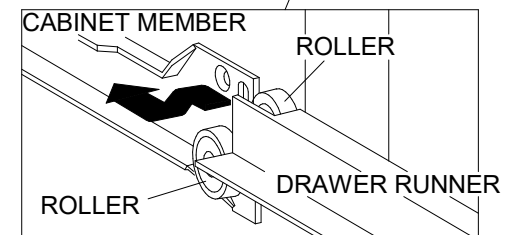
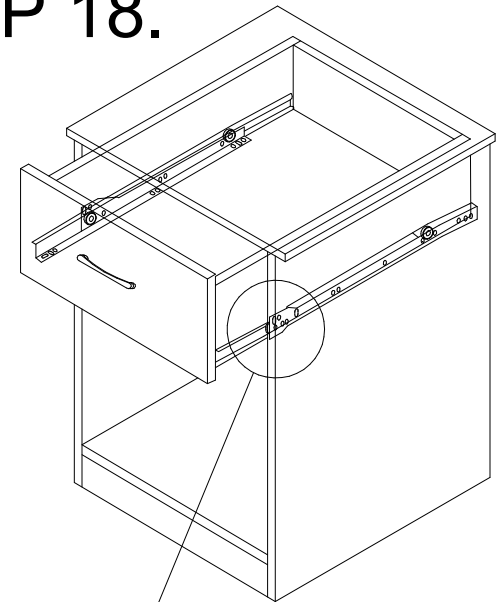
  4PCS



Please make sure unfinished surface facing upwards before hammering the nails.



STEP 18.



Put in drawer on the track.