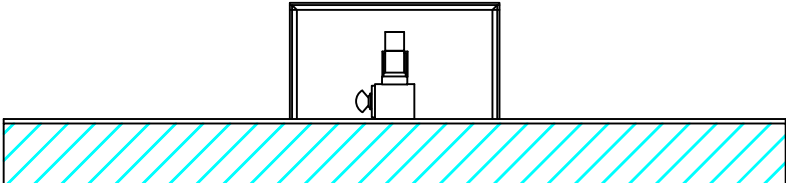


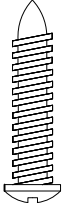
INSTALLATION MANUAL



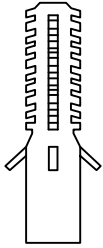
parts list

parts list

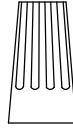
A*2



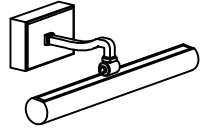
B*2



C*3

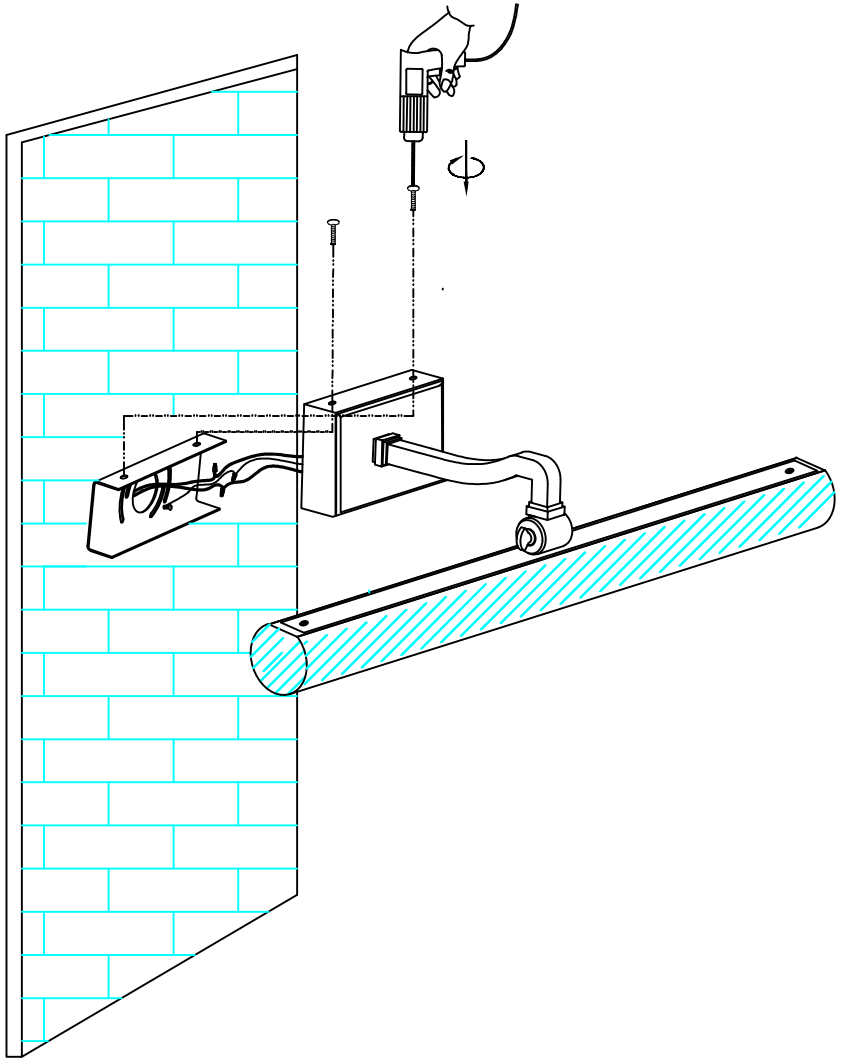


D*4



STEP I Unpacking

Open the box, and take out all the accessories, you will get the following items.



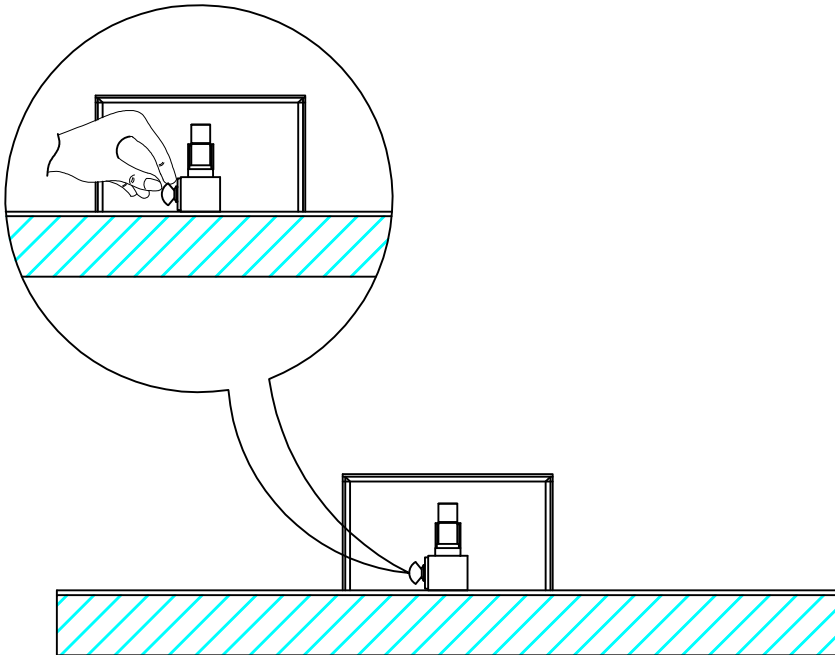
FAQ

Q:After opening the box, I noticed that the Spanish Marble fittings are broken or missing, what should I do?

A: Since Spanish marble lampshade fittings are naturally occurring, they are inherently fragile.Please contact us promptly and we will send you a new Spanish Marble fitting and the missing one.

STEP II Branch Adjustment

1. Adjust the length of hanging cable and wire according to your requirement.
2. Take off the mounting bracket from ceiling canopy, and install it on ceiling.
3. Connect lamp wires and your house wires together.
4. Install the lamp frame on ceiling.

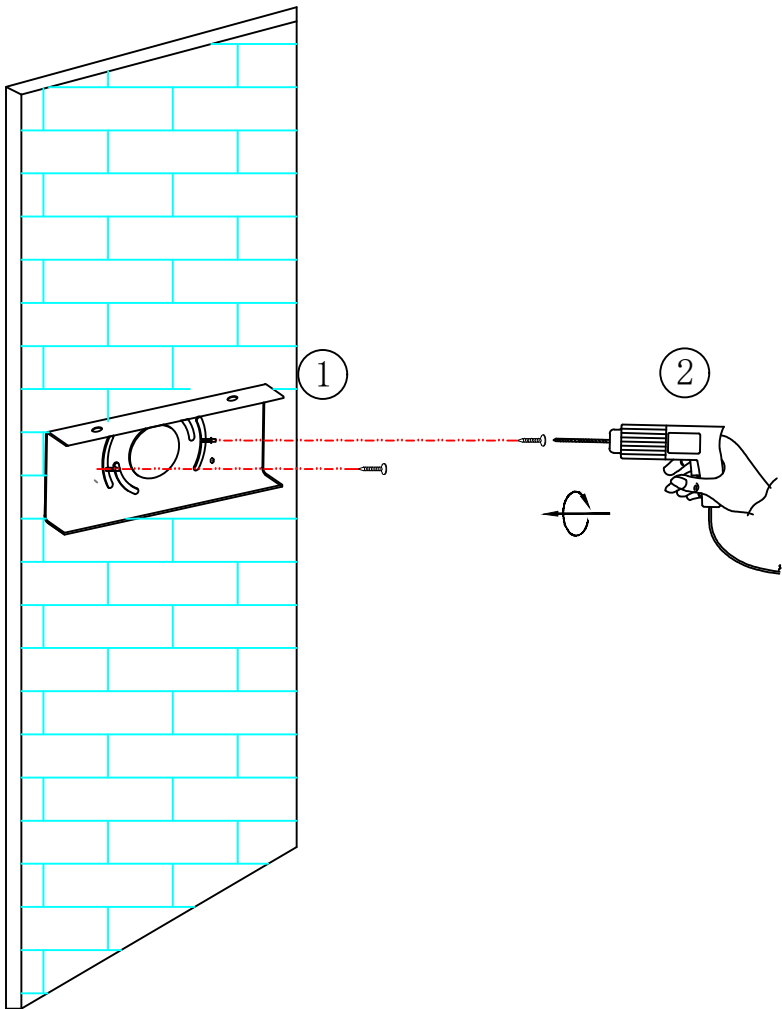


FAQ

Q: How do I differentiate between Neutral wire, Live wire and Ground wire?

A: We have distinguished markings between the N and L wires and the brass wire on the mounting bracket is the ground wire.

STEP III Wiring and Mounting

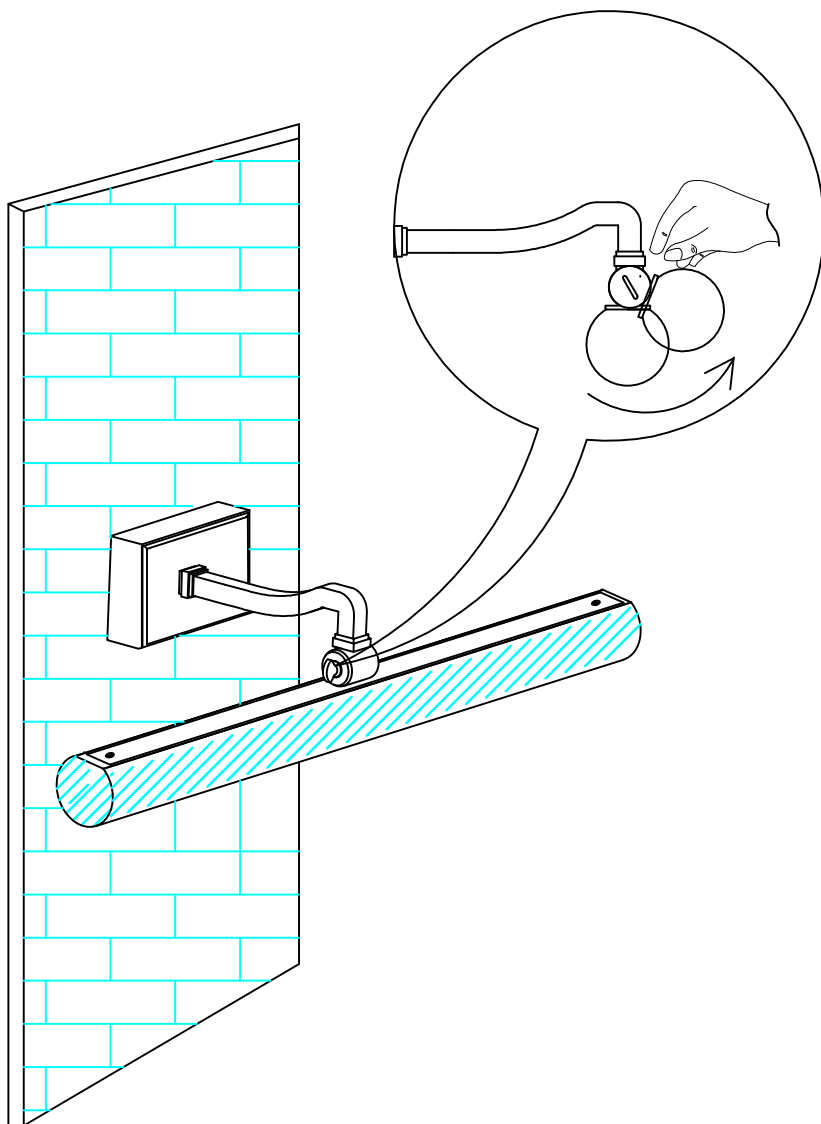


FAQ

Q:What do I need to pay attention to when installing Spanish marble?

A: Since Spanish marble is fragile, we just need to take out the Spanish marble gently and install it on the ceiling hanging plate locking screws to prevent it from falling off.

STEP IV Hanging Pendants



No matter what problems or questions you encounter during the installation or use of the chandelier, please feel free to contact us, we will reply to you within 24 hours and quickly solve or answer for you!

When you leave a message to us online, please leave your order ID and case details. The more detailed and accurate descriptions you provide, the faster and more accurate solutions we will offer!



SAFETY INSTRUCTIONS

These instructions are provided for your safety. It is very important that you have read them completely before beginning the installation of your fixture.

1. We recommend installation by a licensed electrician.
2. This fixture is an LED light source
3. If any special control devices are used with this fixture, follow the instructions carefully to assure full compliance with N.E.C. requirements. If there are any questions, contact a qualified electrical contractor.
4. Please make sure to shut off the main electrical supply before installation, changing bulbs or cleaning light fixture.



WARNINGS

This is not a toy and the product has no play value.

Keep at least 3 ft away from cribs, bassinets, and toddler beds.

Keep out of reach of children under 3 years old.



PREPARATION

1. Please prepare the LED bulb of the packing in advance.

2. Please keep the installation place clean and tidy to avoid missing tiny accessories.