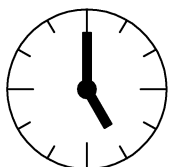
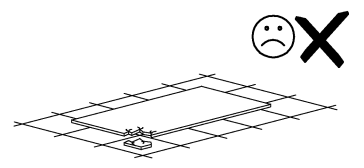
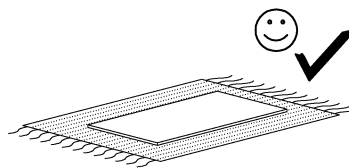
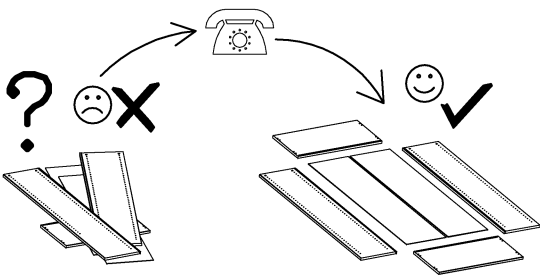
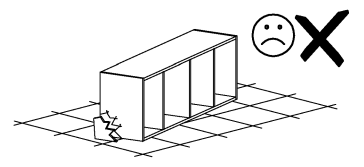
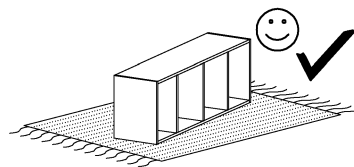
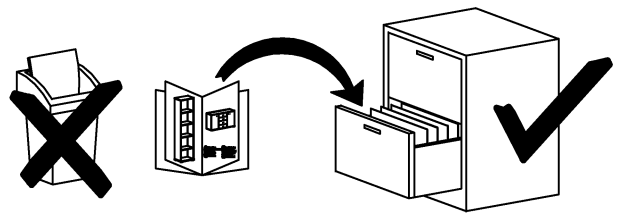
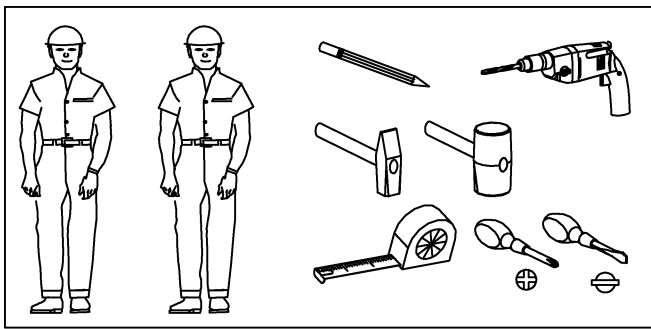
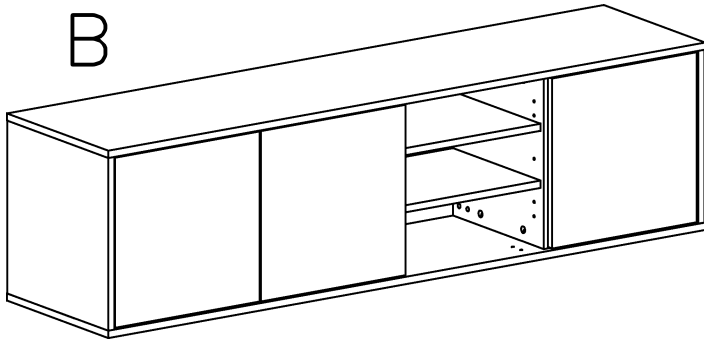
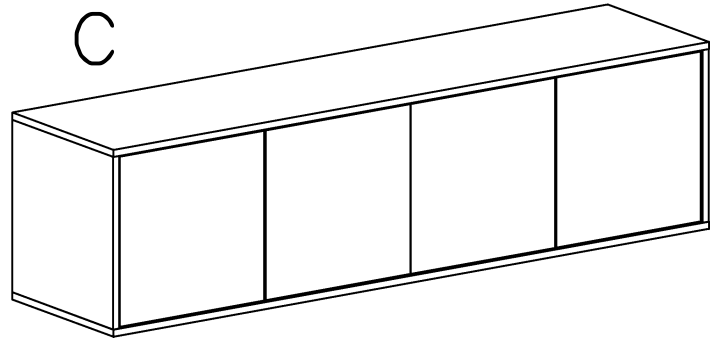
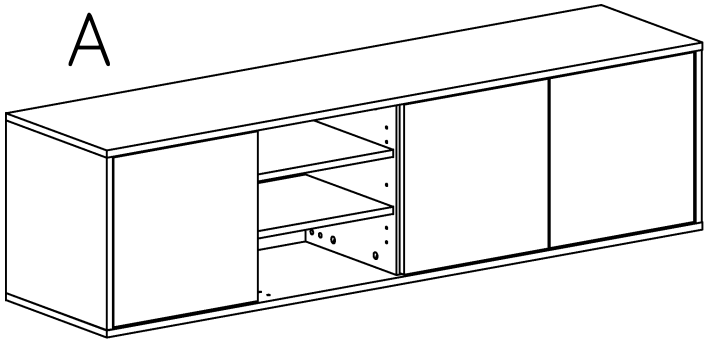
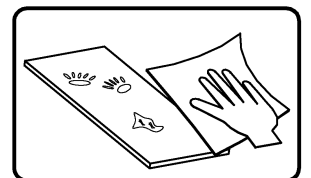
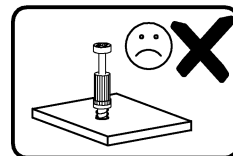
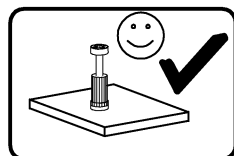
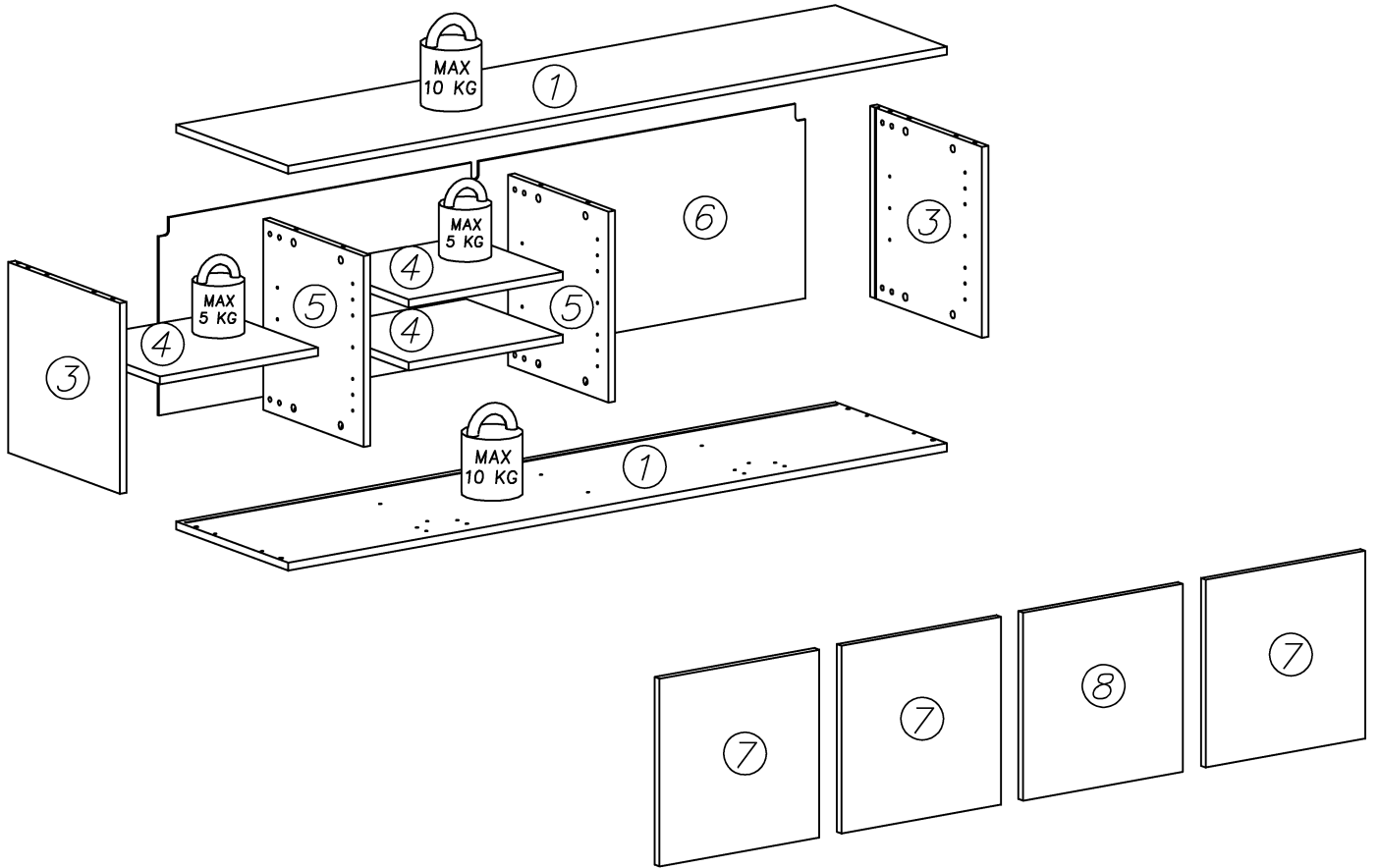
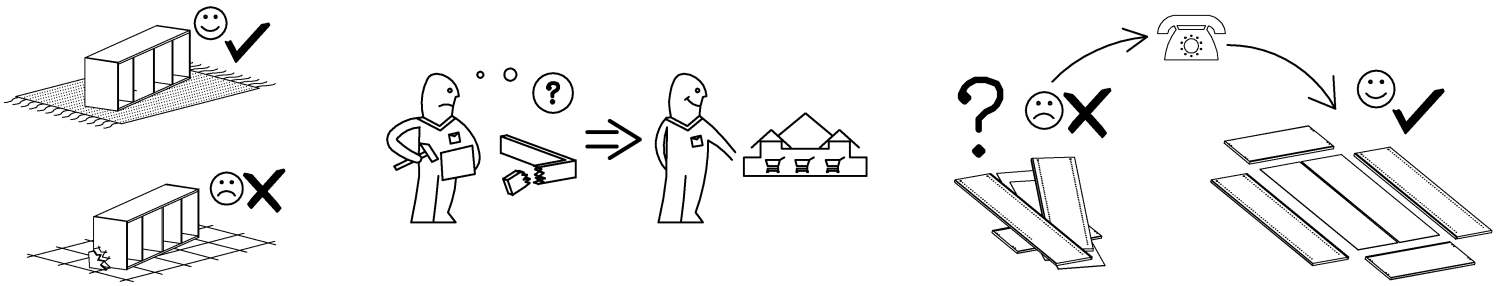


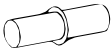
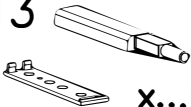

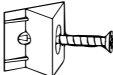

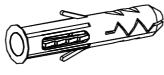

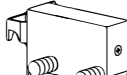
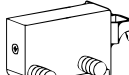

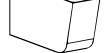

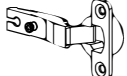
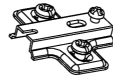

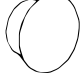
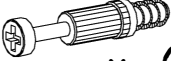
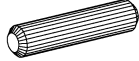

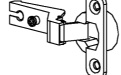
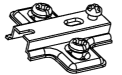
# Installation & Assembly



1,5h



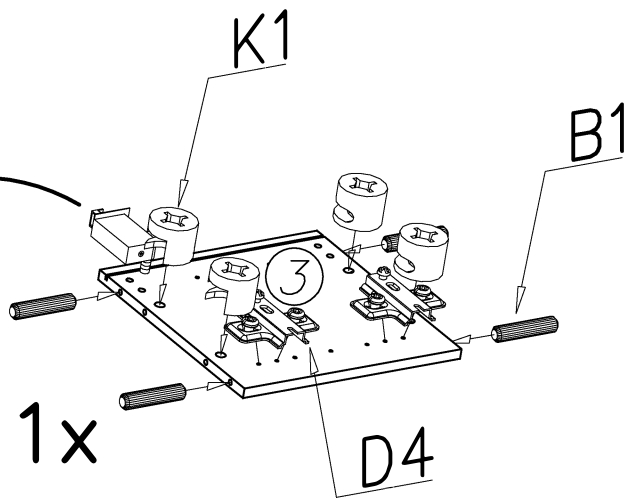
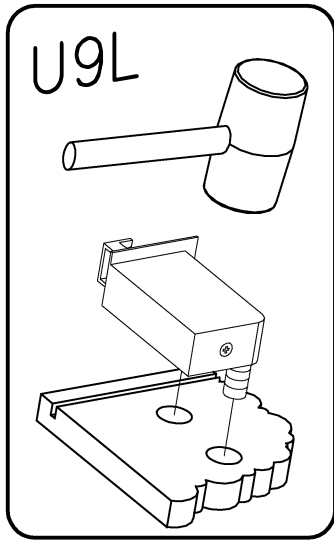
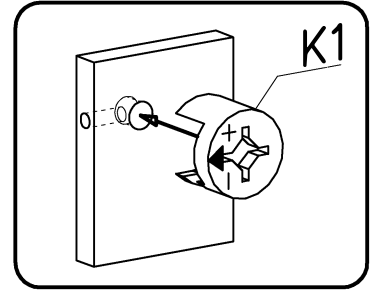
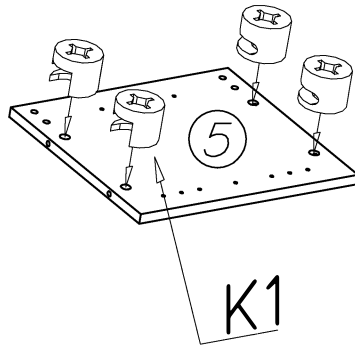


<b>F2</b>  x...(12)	<b>L13</b>  x...(4)	<b>G34</b>  3,5x16 x...(22)	<b>I1</b>  x...(10)	<b>U7</b>  x...(3)	<b>U8</b>  ø10x60 x...(3)
<b>G50</b>  6x13 x...(8)	<b>U9L</b>  x...(1)	<b>U9R</b>  x...(2)	<b>U10L</b>  x...(1)	<b>U10R</b>  x...(2)	
<b>K1</b>  ø15x12 x...(16)	<b>C10</b>  Z35PL x...(4)	<b>D10</b>  PZ35PL x...(4)	<b>I4</b>  ø5 x...(10)	<b>I10</b>  ø10 x...(10)	
<b>K10</b>  x...(16)	<b>B1</b>  ø8x35 x...(8)	<b>I7</b>  x...(16)	<b>C4</b>  Z350D x...(4)	<b>D4</b>  PZ350D x...(4)	H=2

I

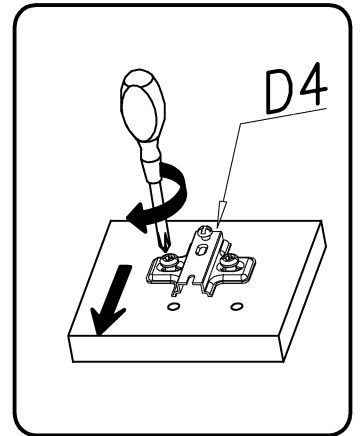


1x

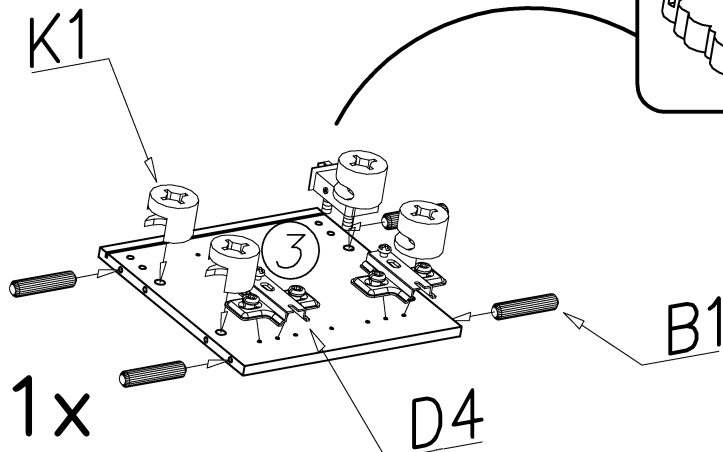
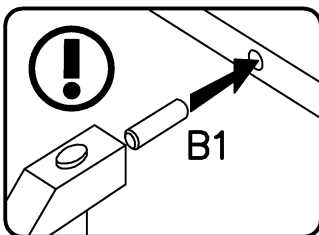
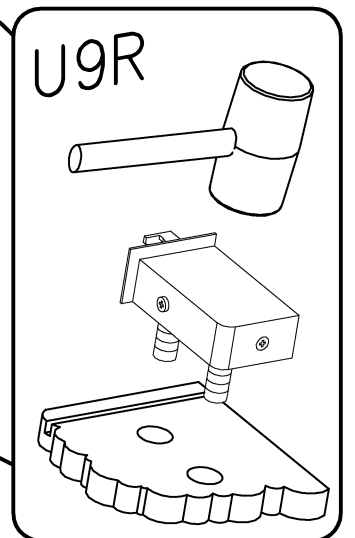
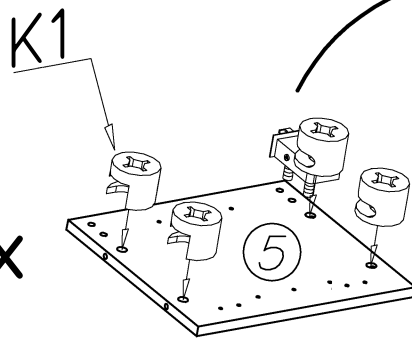


1x

D4



1x

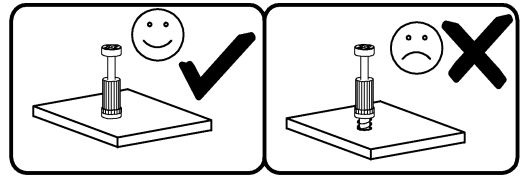
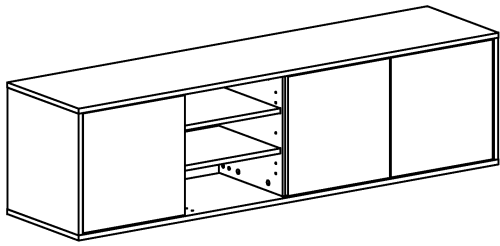


1x

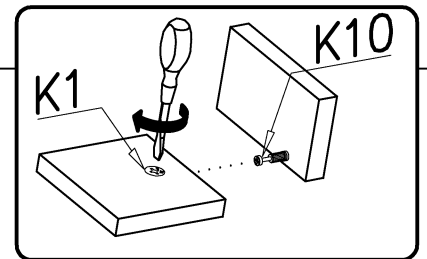
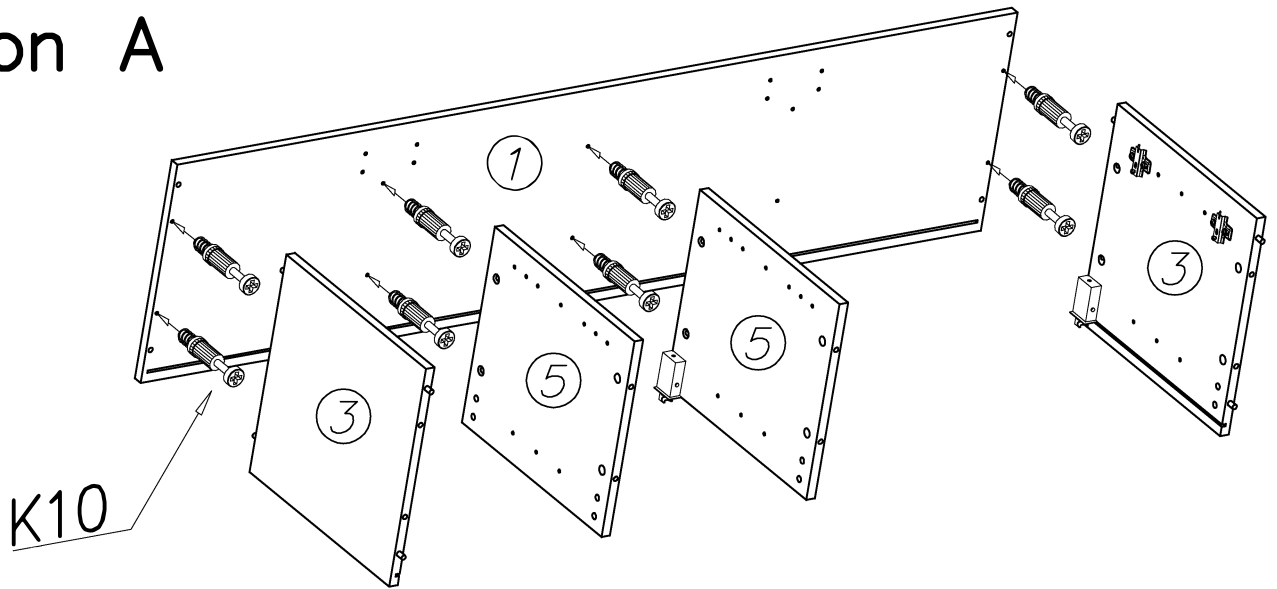
D4

B1

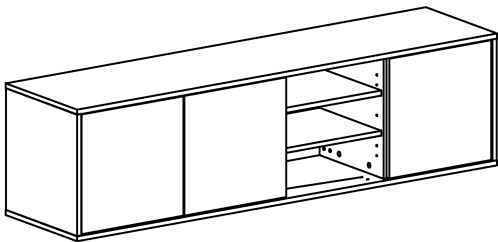
II



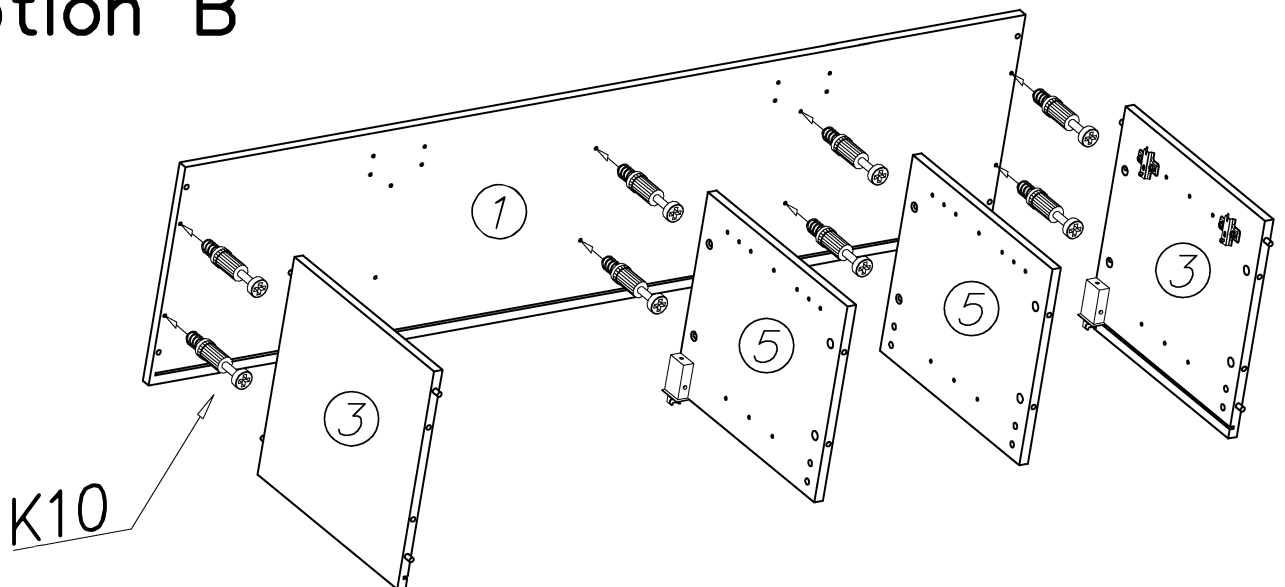
## Option A



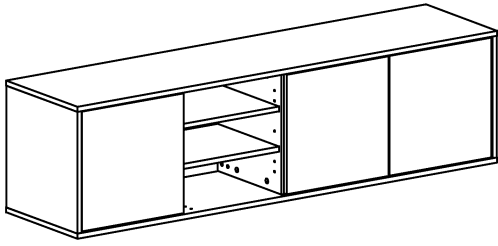
II



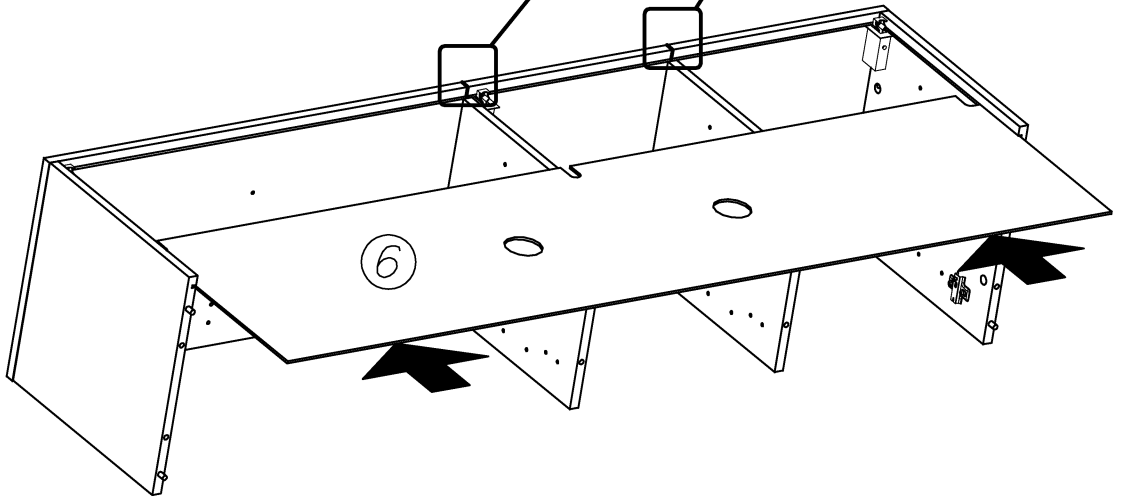
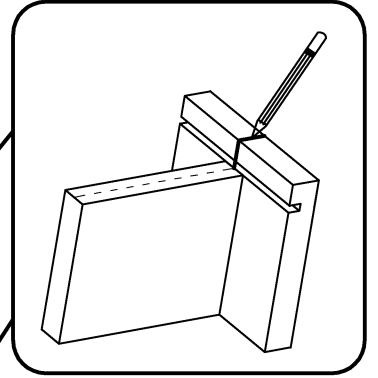
## Option B



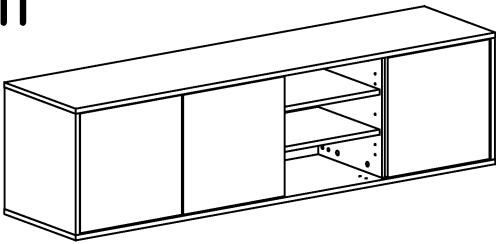
III



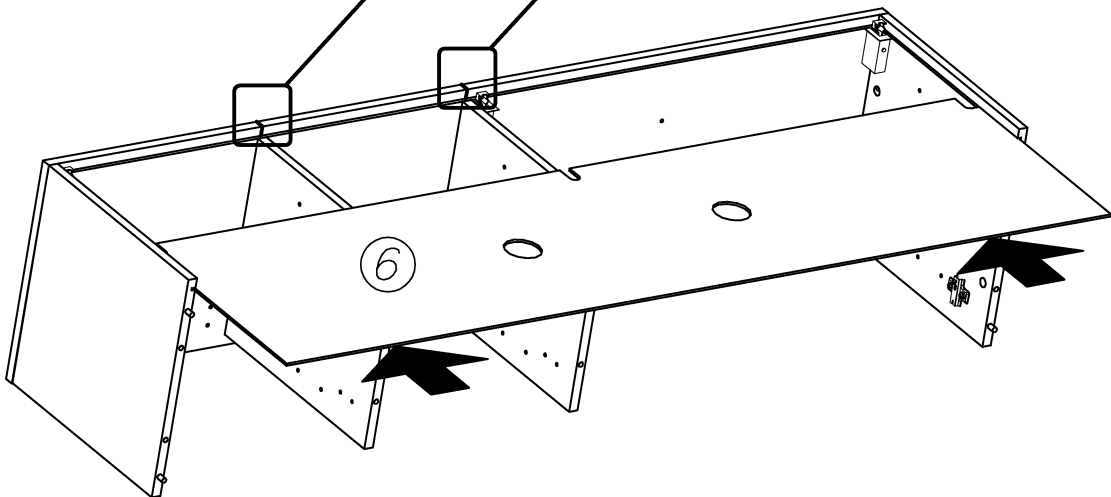
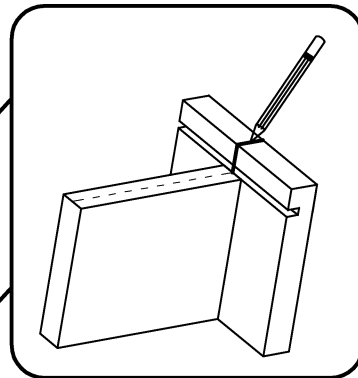
Option A



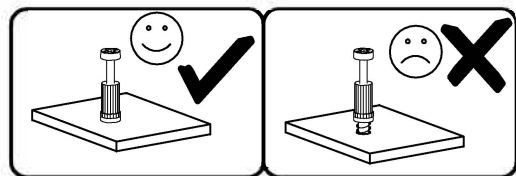
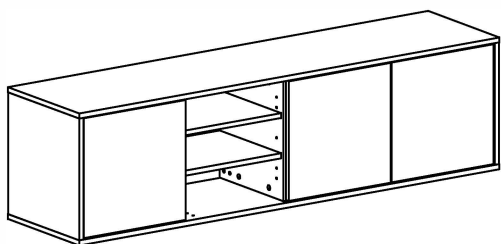
III



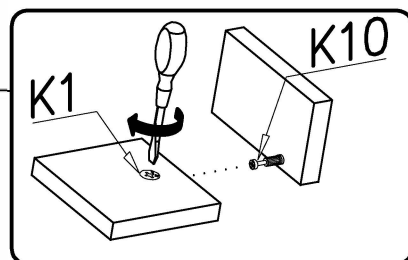
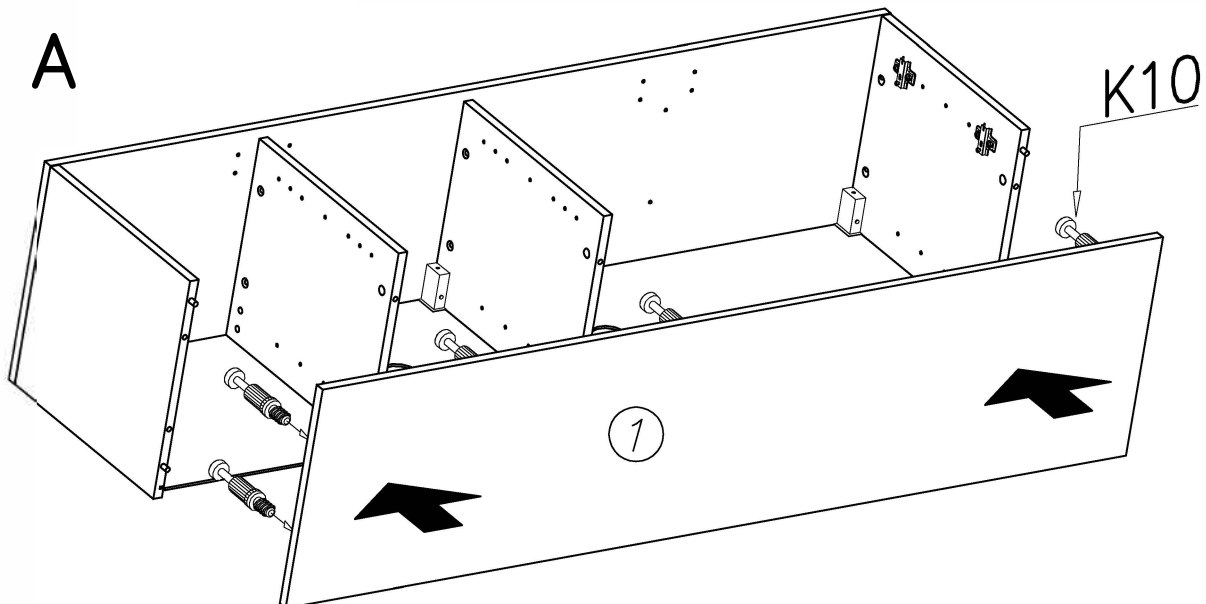
Option B



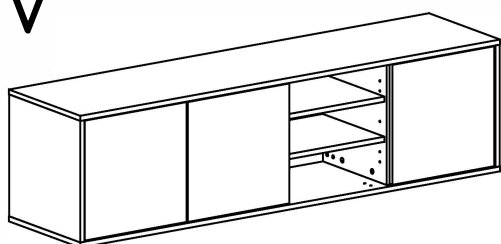
## IV



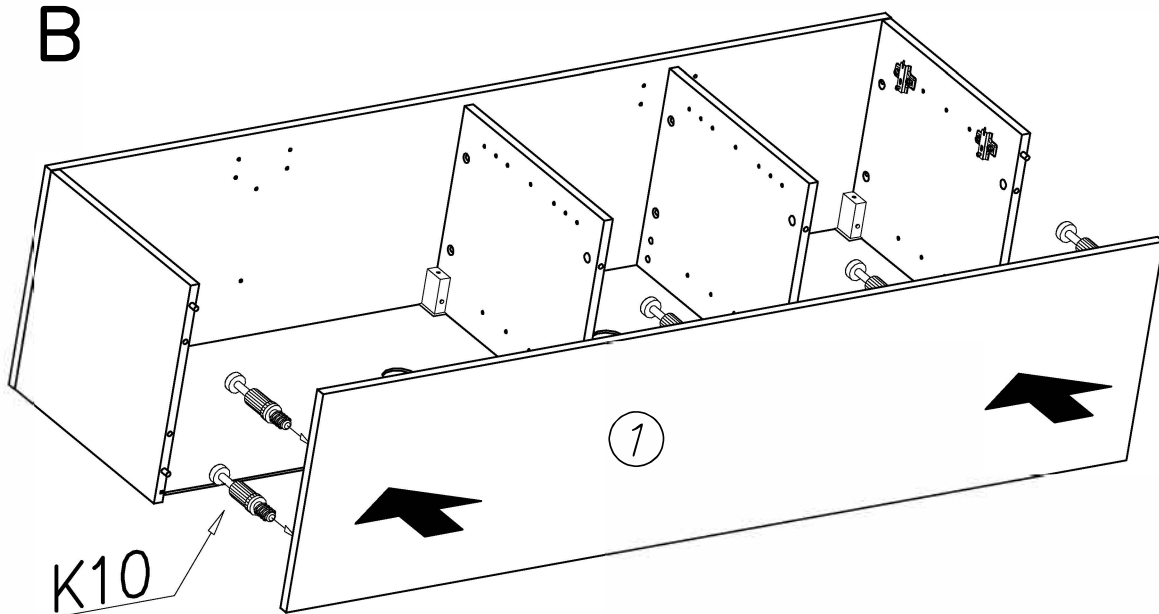
## Option A



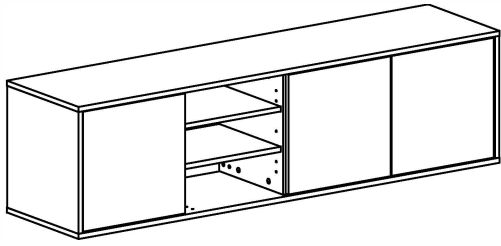
## IV



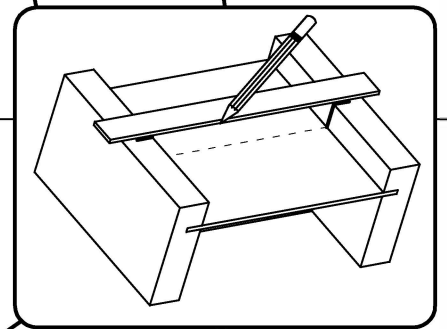
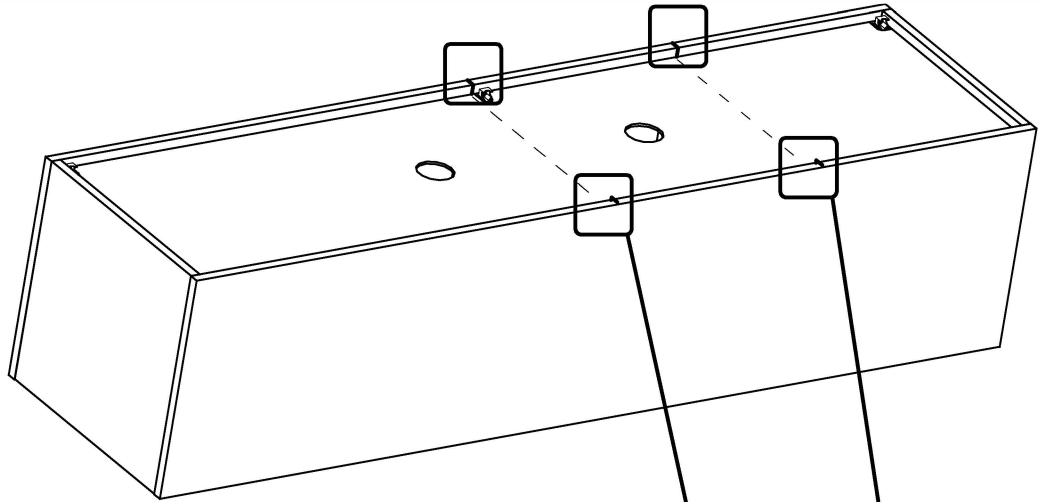
## Option B



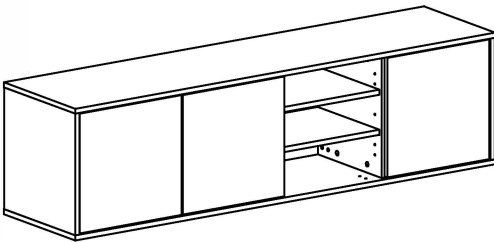
V



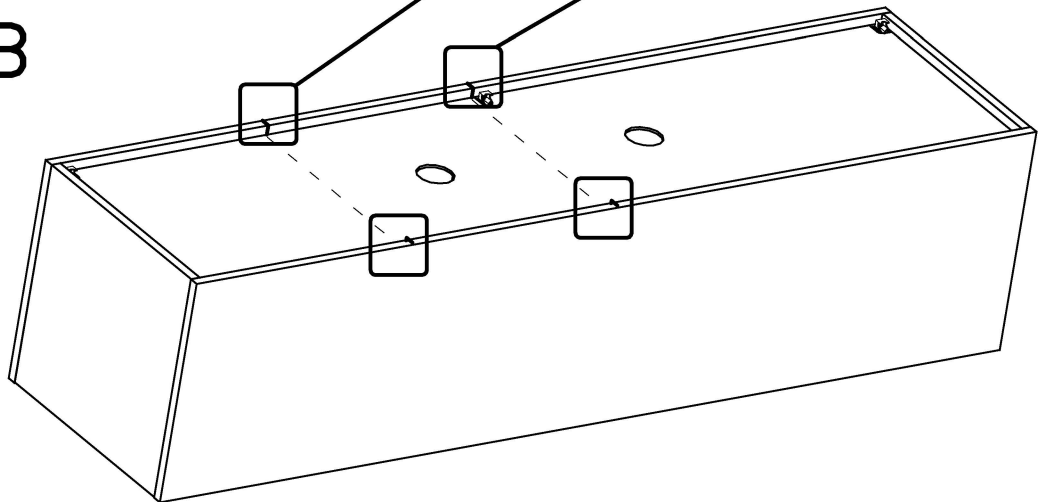
Option A



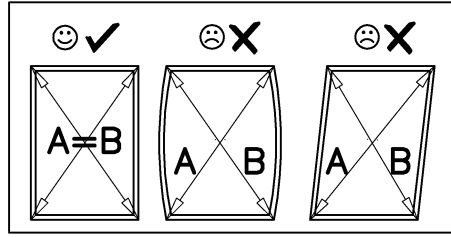
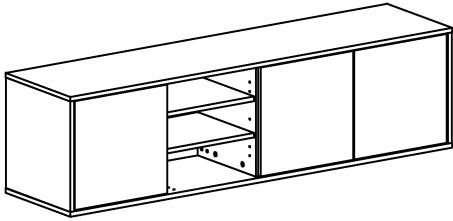
V



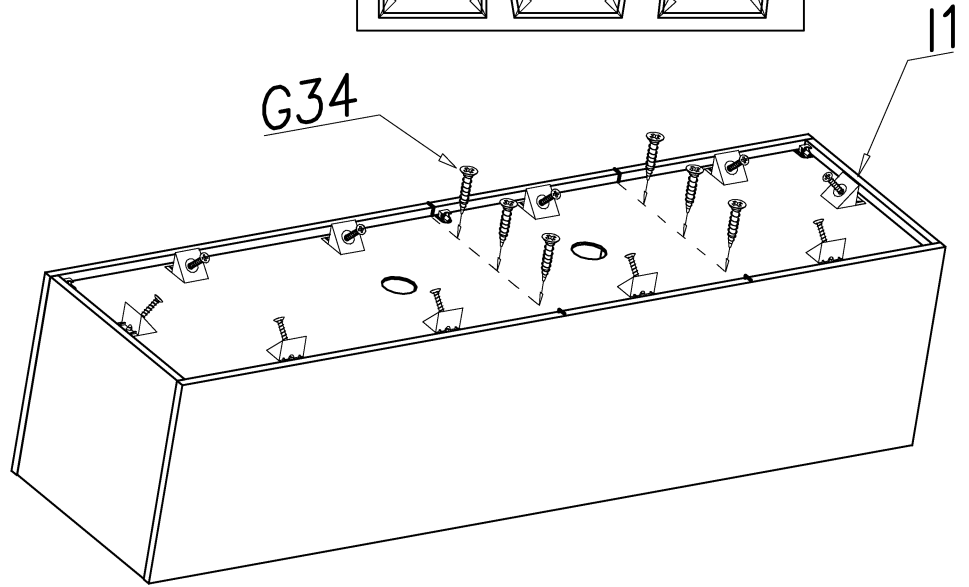
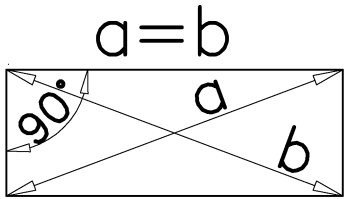
Option B



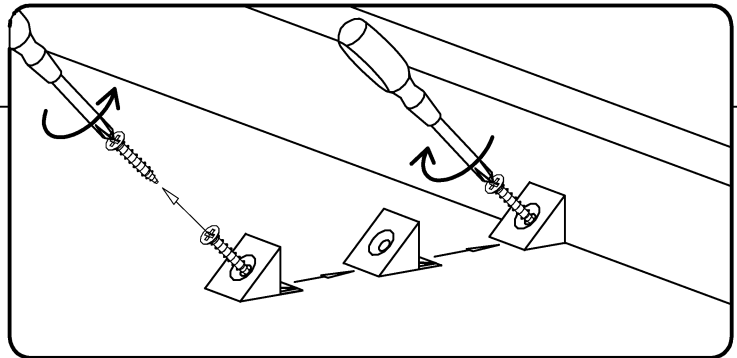
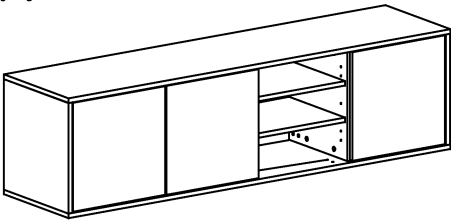
VI



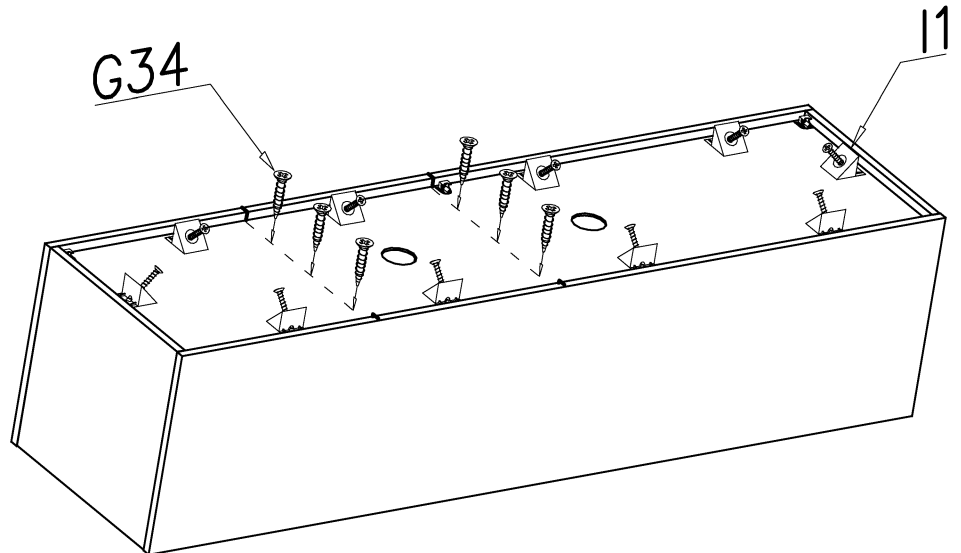
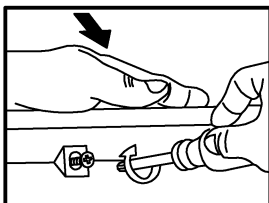
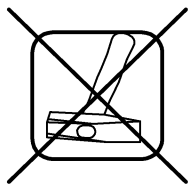
## Option A



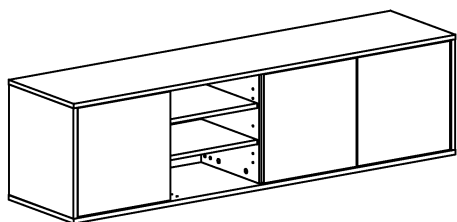
VI



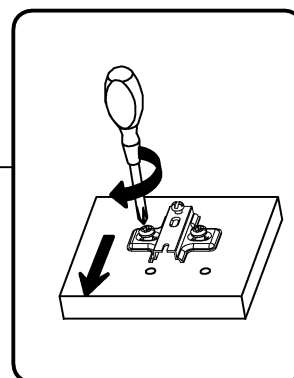
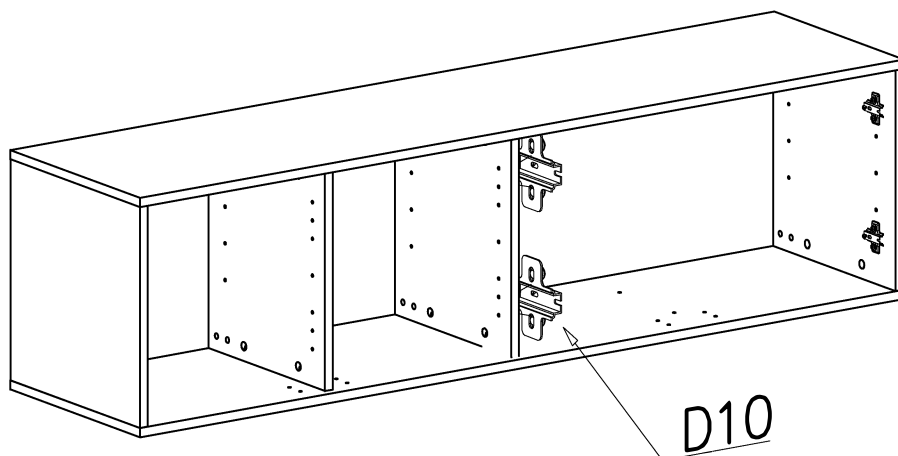
## Option B



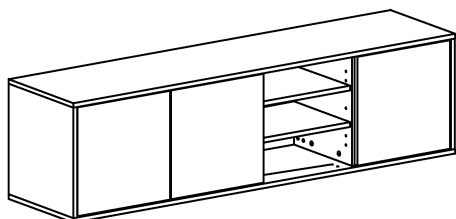
VII



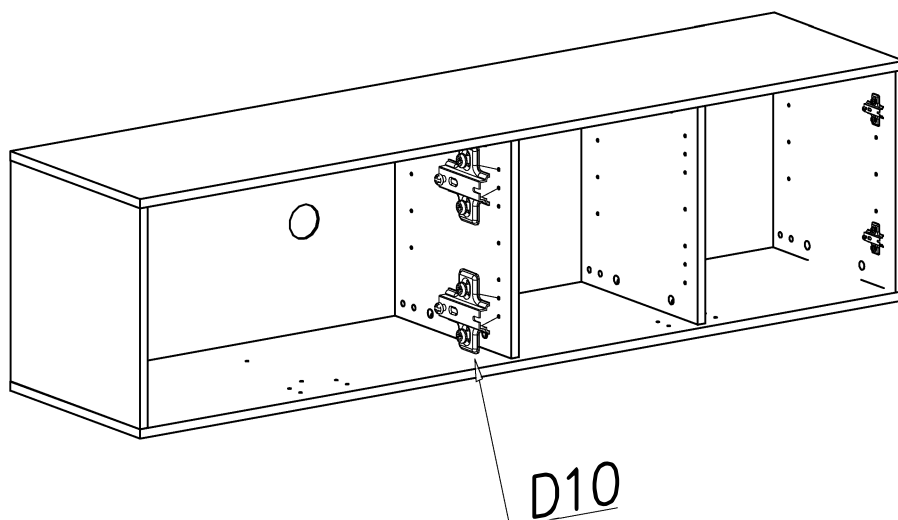
Option A



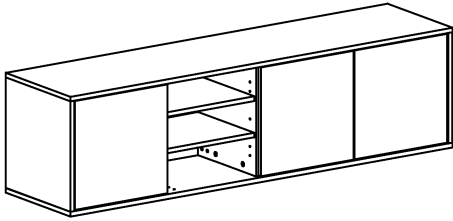
VII



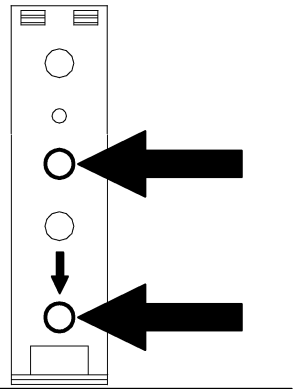
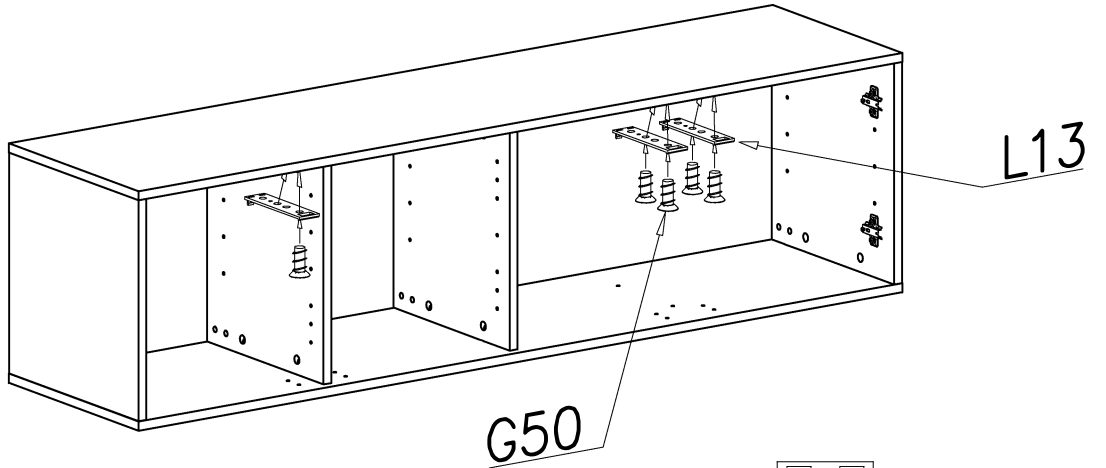
Option B



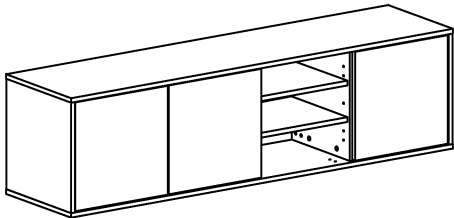
VIII



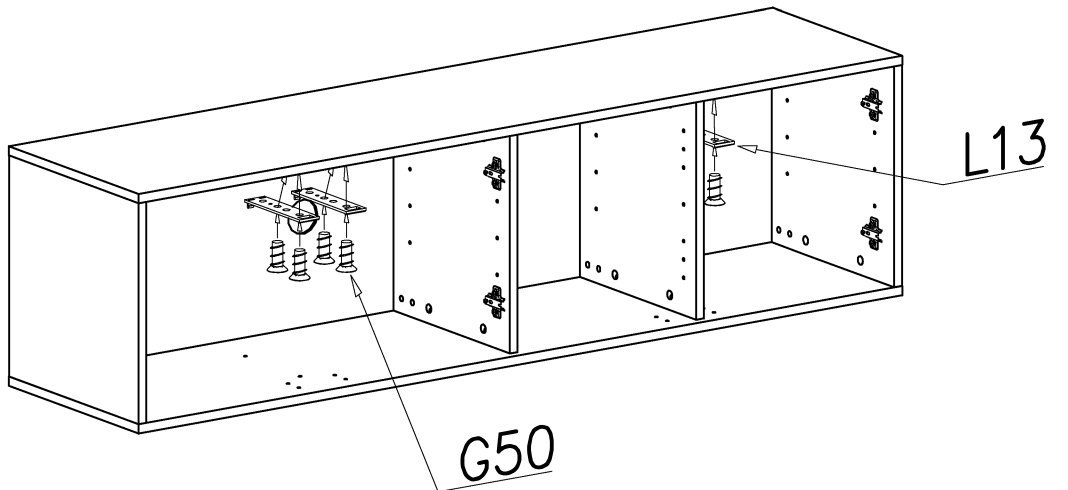
Option A



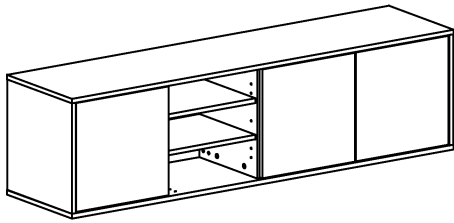
VIII



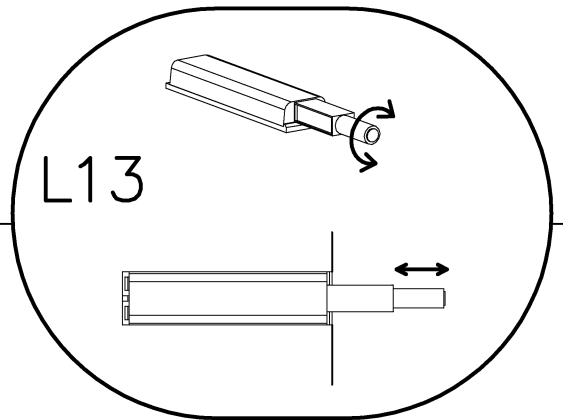
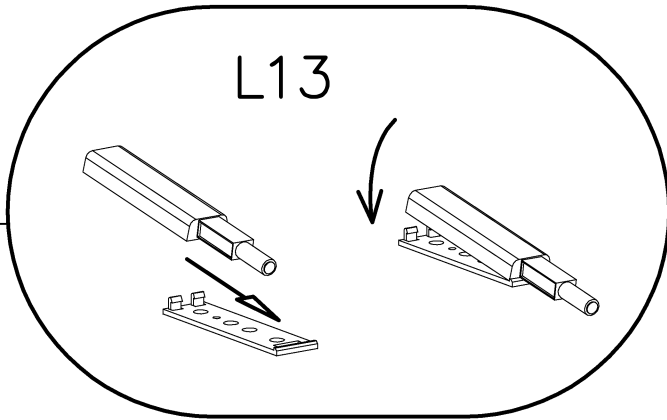
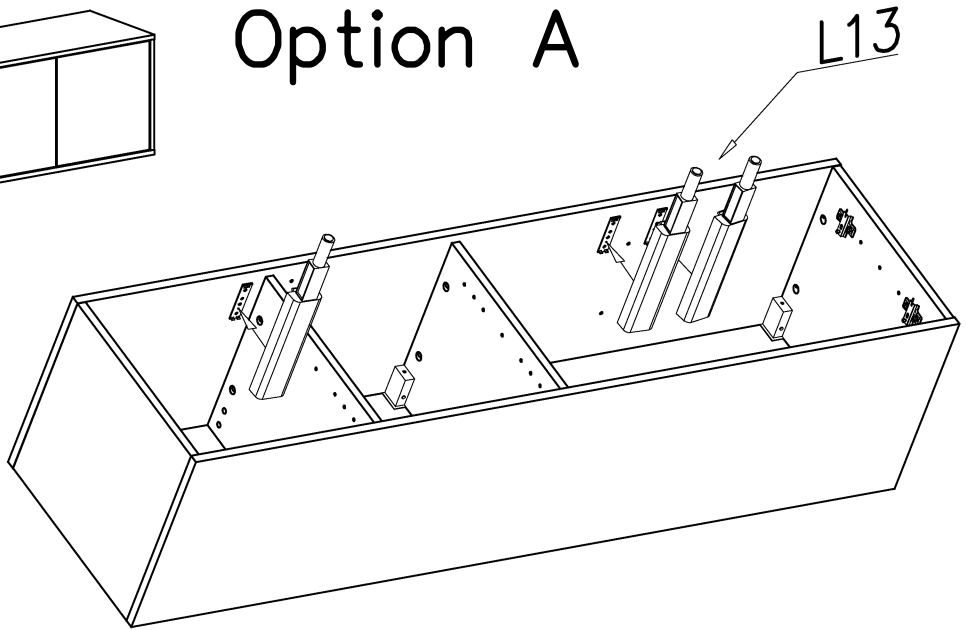
Option B



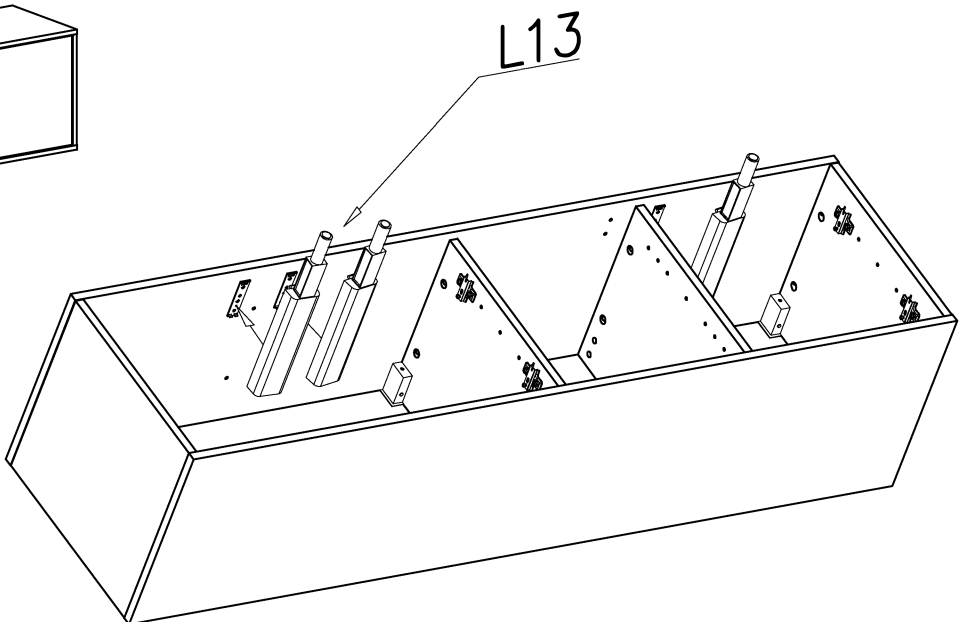
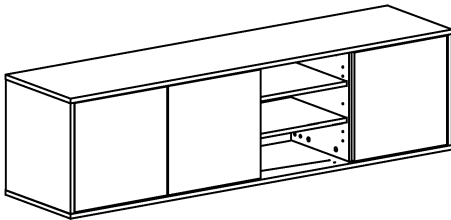
IX



Option A

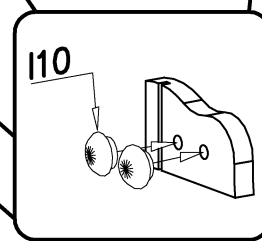
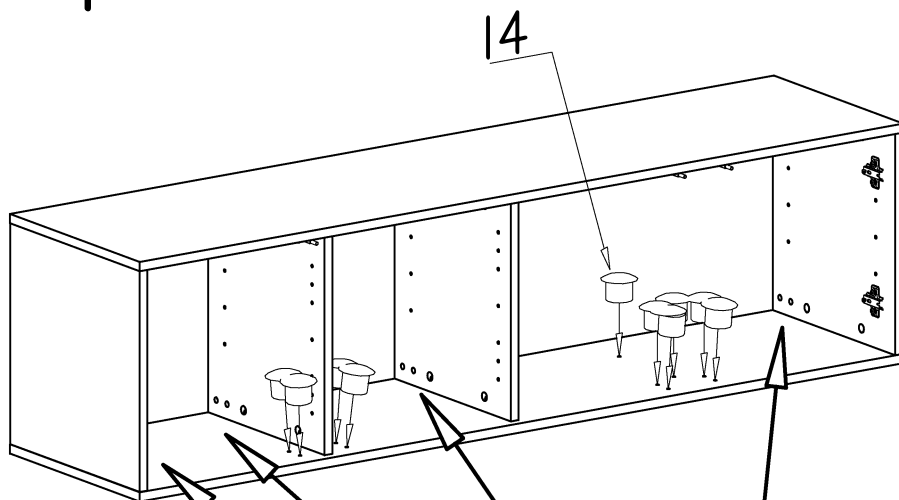
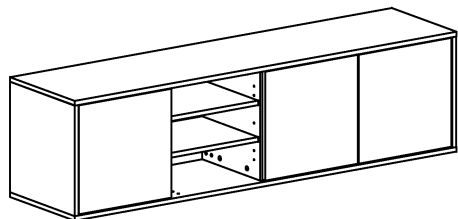


IX



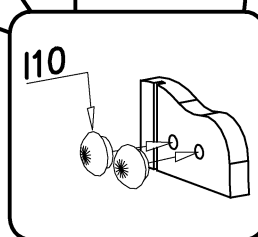
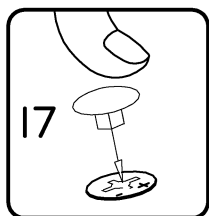
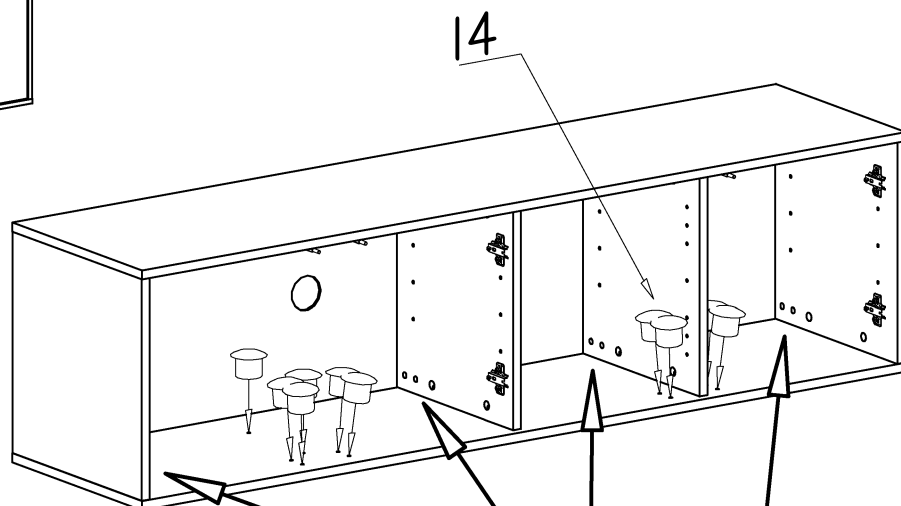
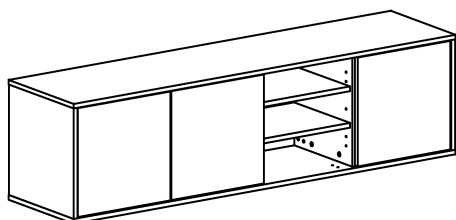
X

## Option A

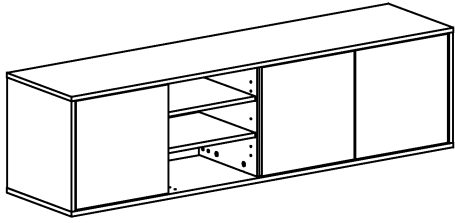


X

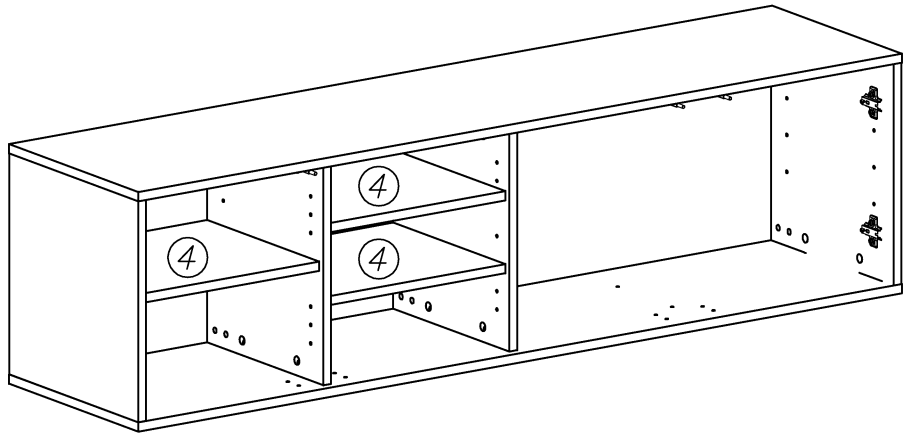
## Option B



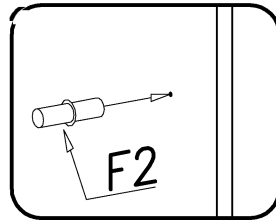
XI



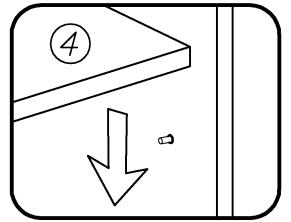
Option A



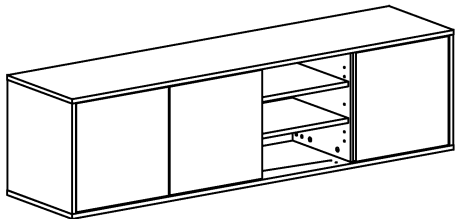
1



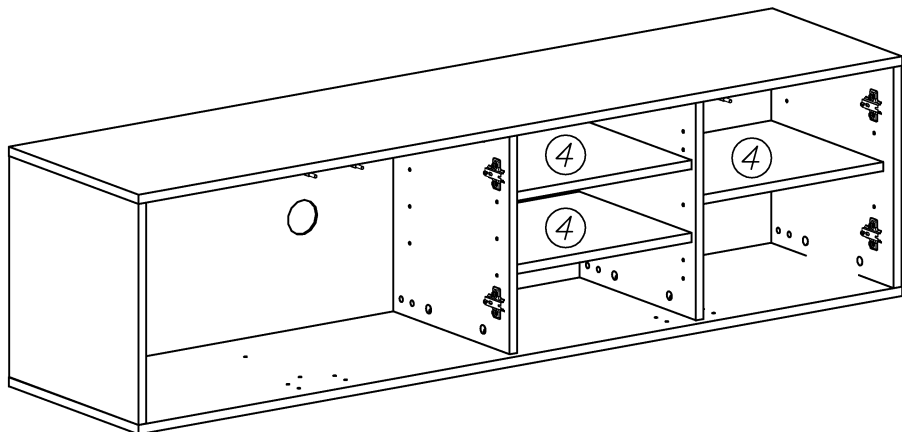
2



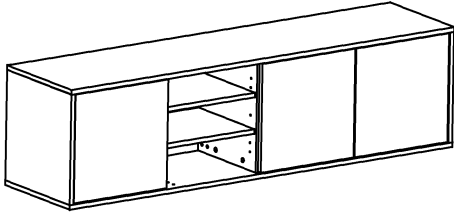
XI



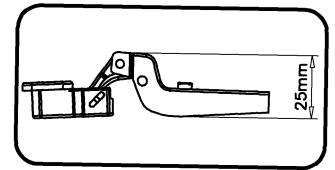
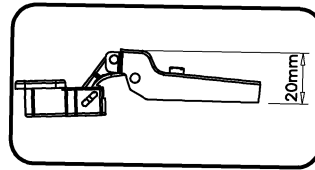
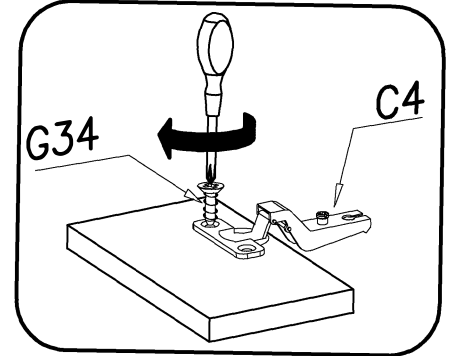
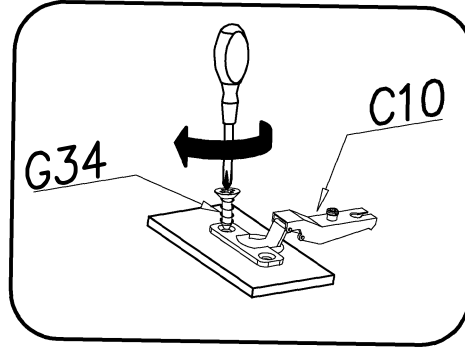
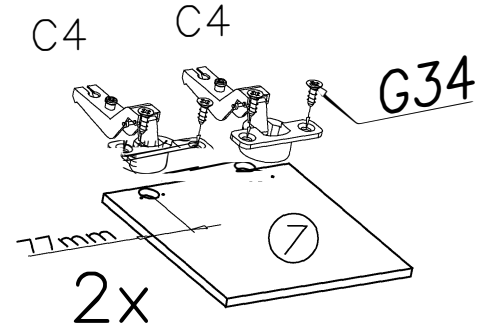
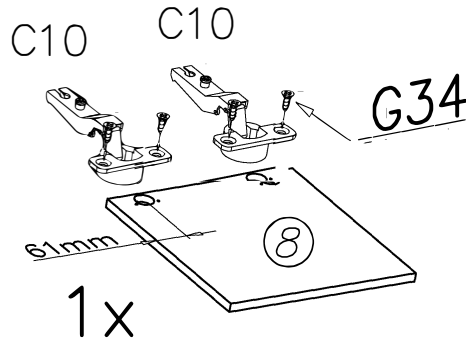
Option B



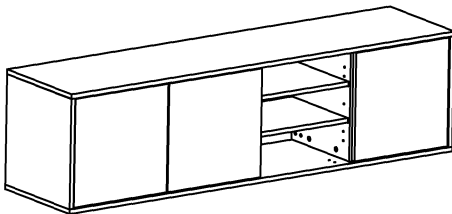
## XII



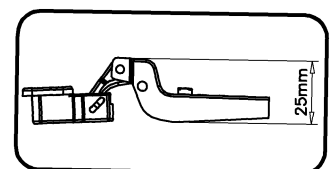
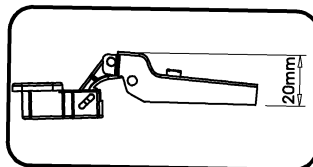
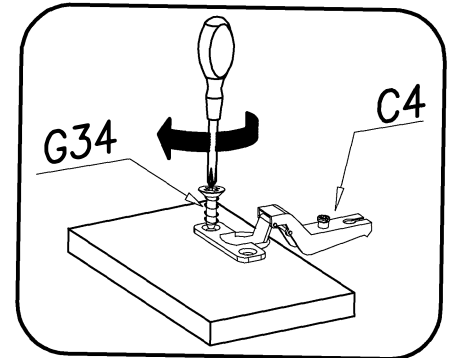
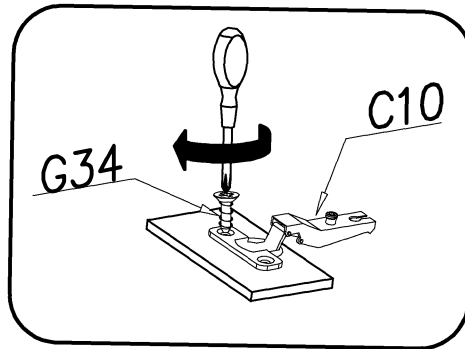
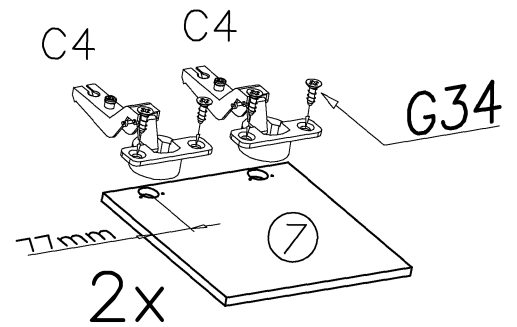
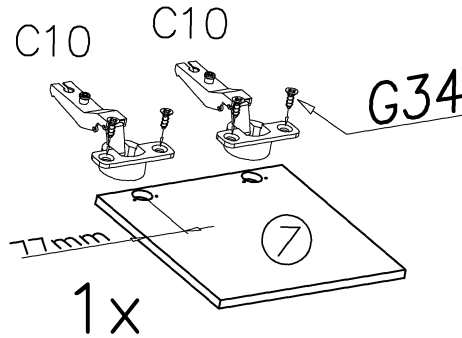
### Option A



## XII

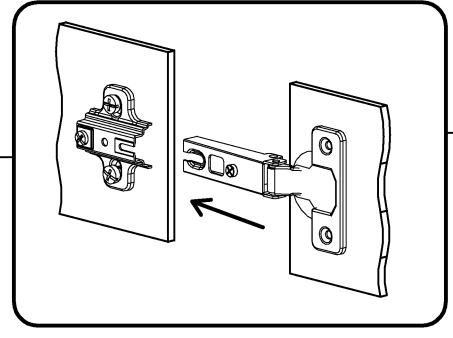
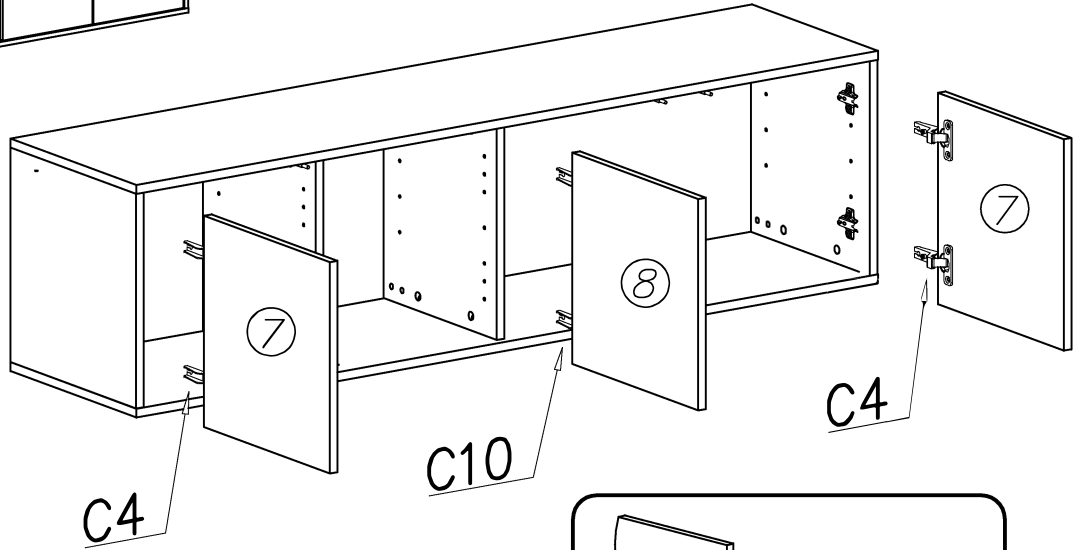
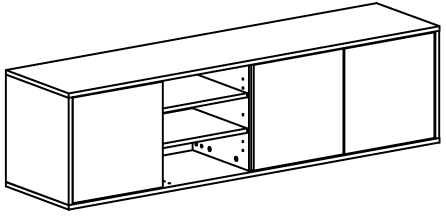


### Option B



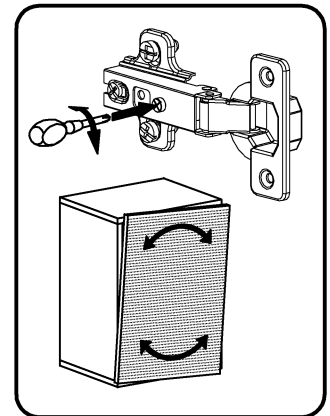
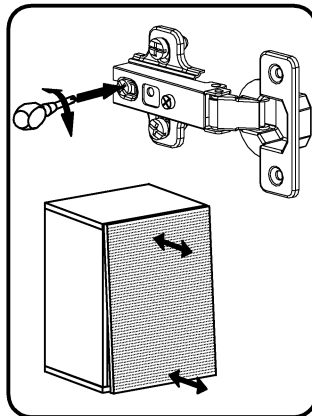
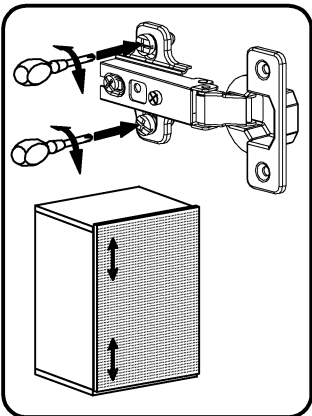
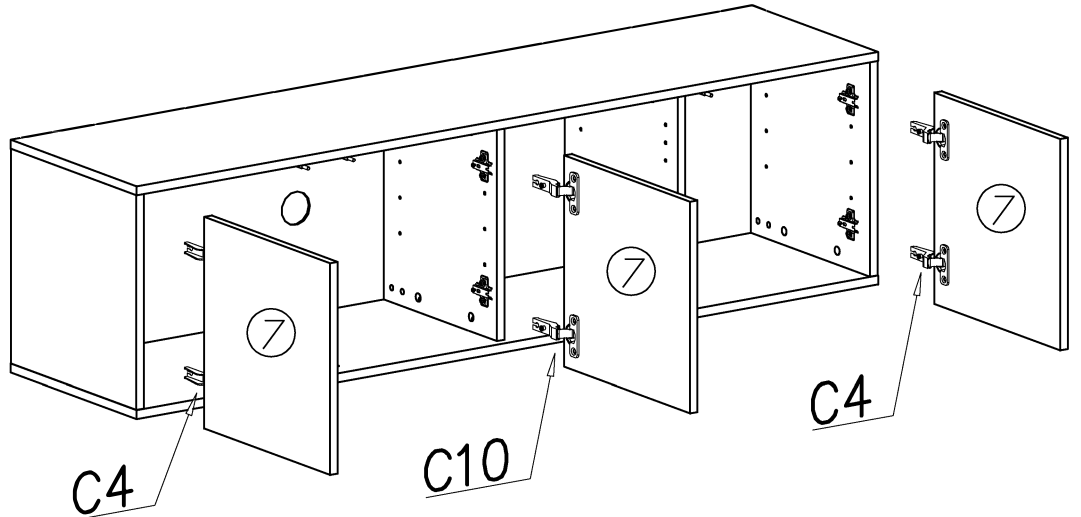
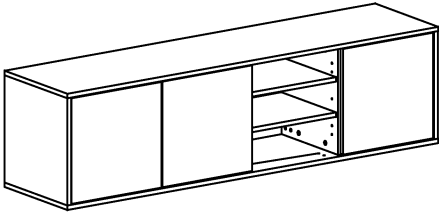
XIII

### Option A

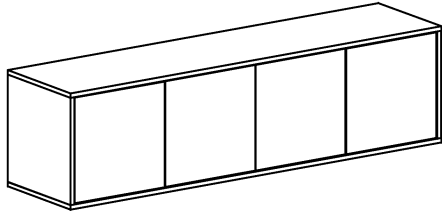


XIII

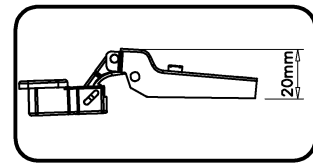
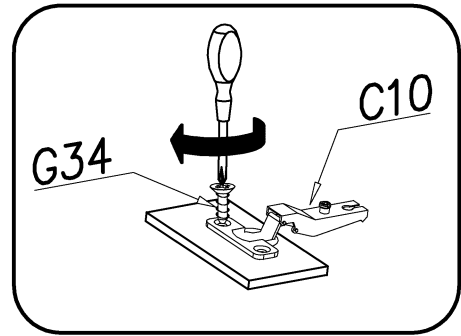
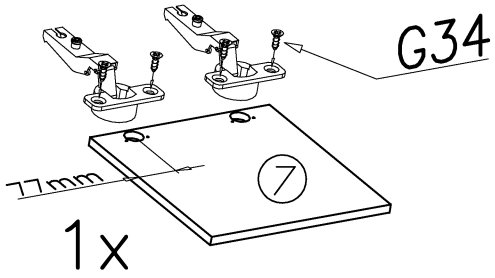
### Option B



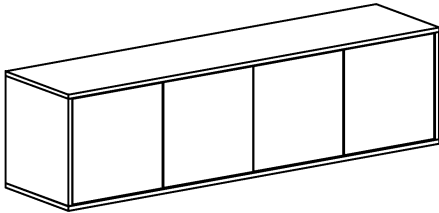
XIV



Option C



XV



Option C

