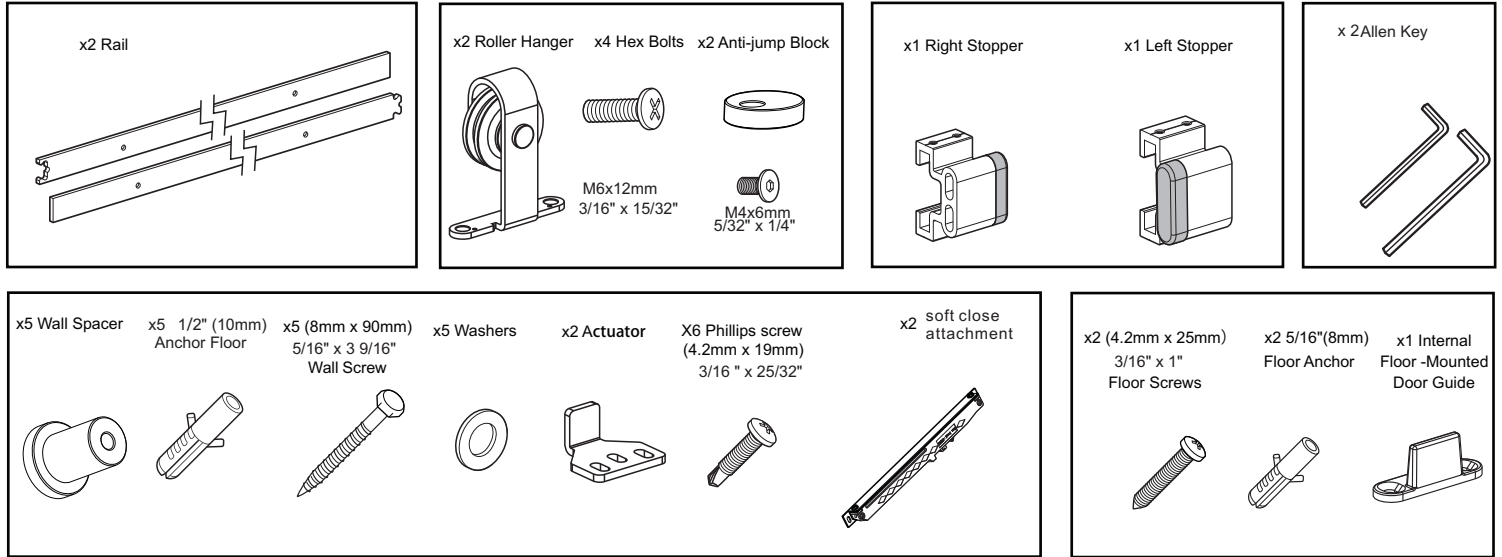


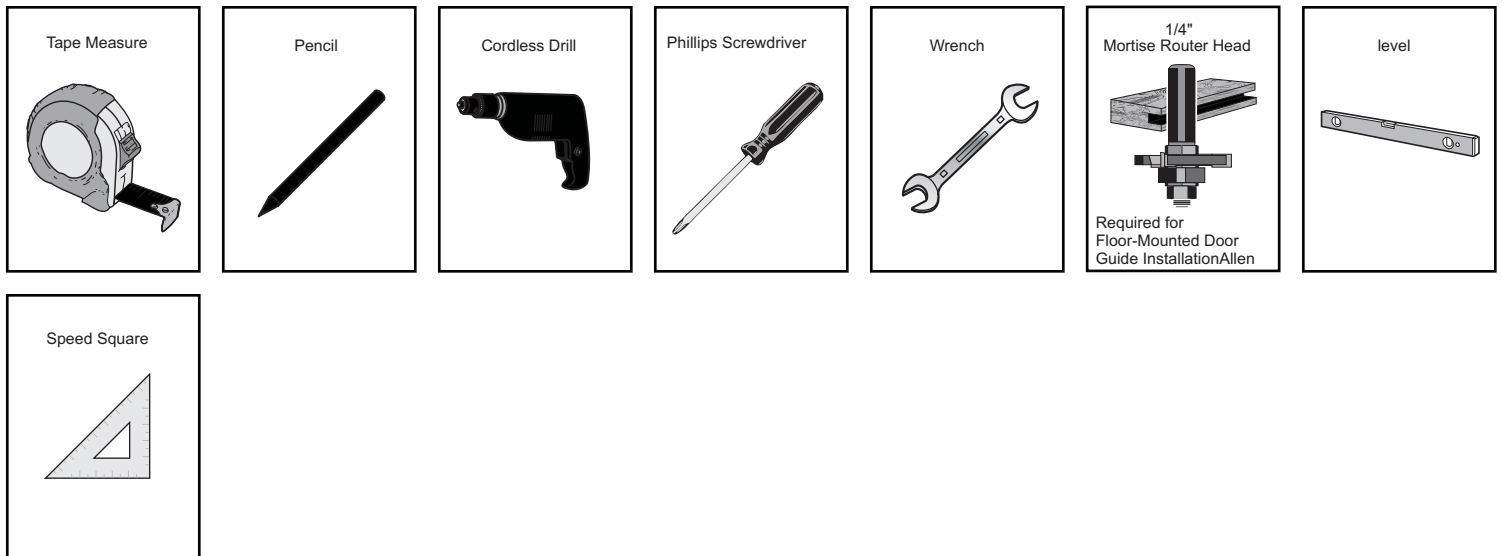
**Kindly Reminder: please refer to the diagram on amazon or ebay if your door width is 36" while opening is 34"**

# BARN DOOR HARDWARE KIT TSQ14BK-6FT+TKM02 INSTALLATION GUIDE

## Main Components



## Tools Required

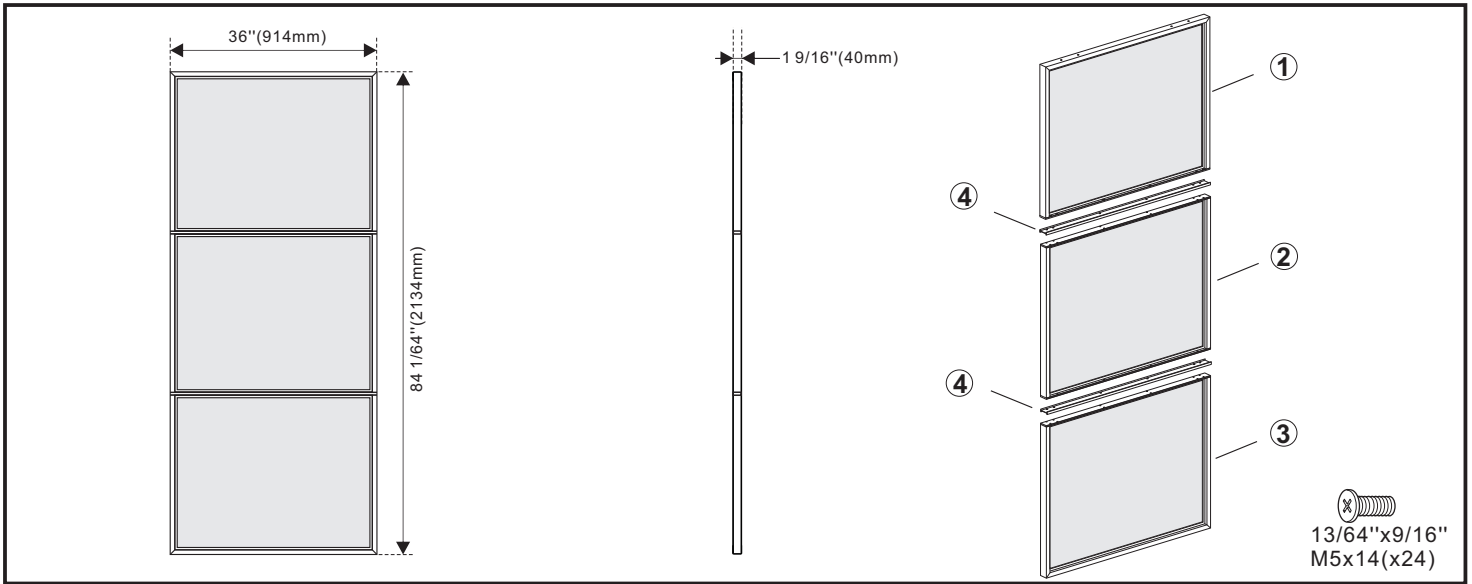


## IMPORTANT: BEFORE YOU BEGIN

IF INSTALLING DIRECTLY INTO A NON-CONCRETE WALL, DO NOT ATTEMPT TO INSTALL THE RAIL SOLELY TO THE DRYWALL OR ANY WALL SURFACE AS THIS MAY NOT SUPPORT THE WEIGHT OF THE RAIL AND MOUNTED DOOR. THE RAIL MUST BE INSTALLED ONTO A PIECE OF SOLID WOOD BLOCKING (SOLD SEPARATELY) USING MOUNTING SCREWS (ALSO SOLD SEPARATELY). ENSURE THE SOLID WOOD BLOCKING IS SECURED INTO THE STRUCTURAL SURFACE. USE A STUD FINDER WHERE NECESSARY TO LOCATE STUDS AND SECURE SAFELY. TYPICAL SOLID WOOD BLOCKING SHOULD BE 81 3/4" x 5 1/2" x 7/8".

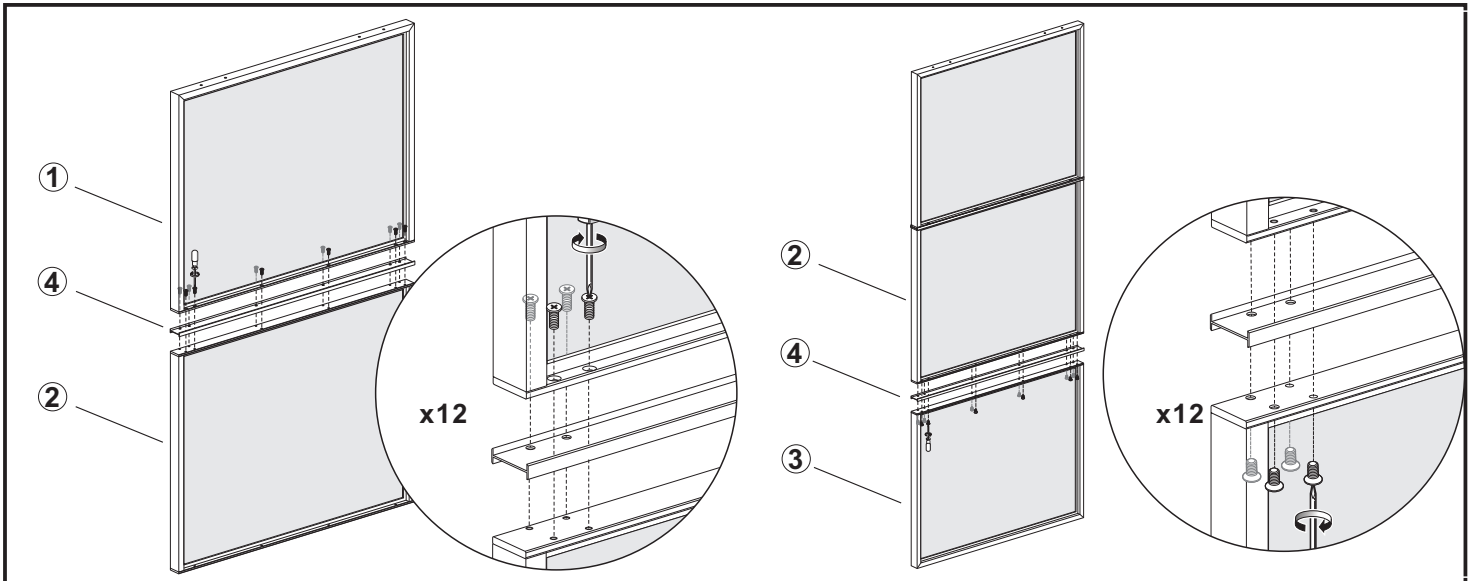
NOTE, SEPARATE BOLTS ARE PROVIDED FOR 1 3/8" DOORS AND LONGER BOLTS PROVIDED FOR 1 3/4" DOORS. IF INSTALLING WITH THE INTERNAL FLOOR-MOUNTED DOOR GUIDE, THE DOOR MUST BE MORTISED 1/4" WIDE X 3/4" DEEP CENTRALLY.

# BARN DOOR HARDWARE KIT TSQ14BK-6FT+TKM02 INSTALLATION GUIDE



## Step 1. Door Preparation

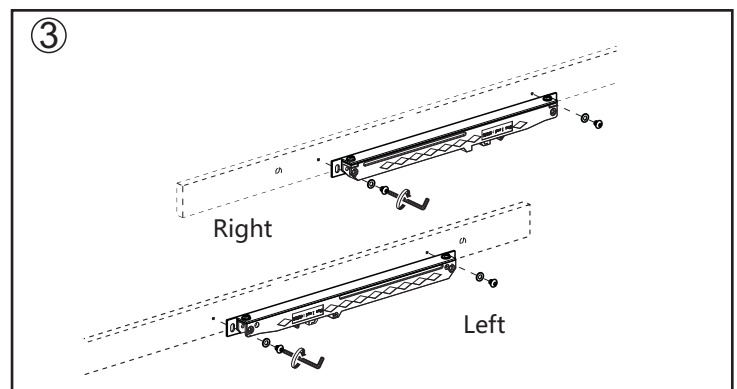
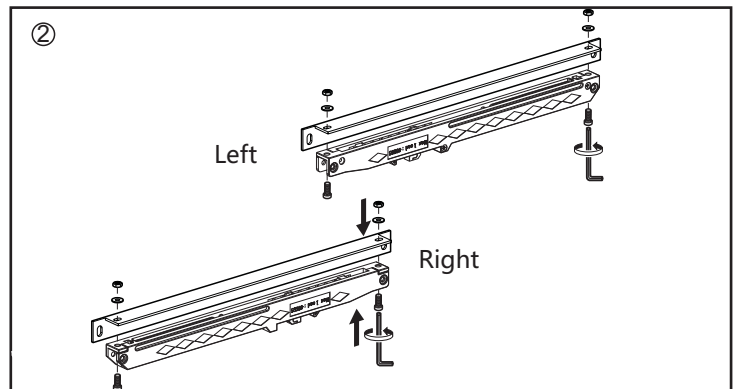
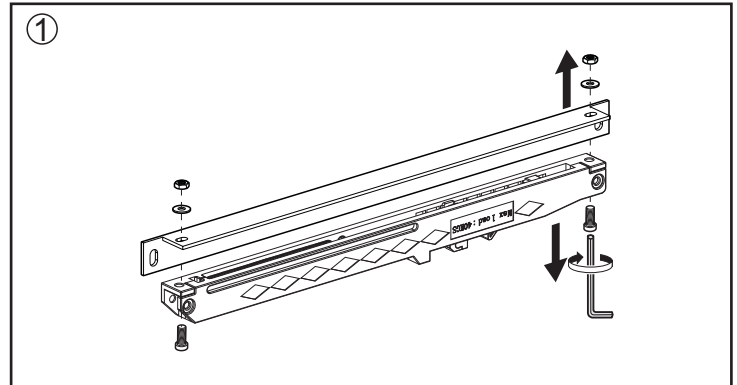
The door is divided into three parts: upper, middle and lower parts ①②③.  
Please connect them by connectors ④, and fixed with 13/64"x9/16" screws



# BARN DOOR HARDWARE KIT TSQ14BK-6FT+TKM02 INSTALLATION GUIDE

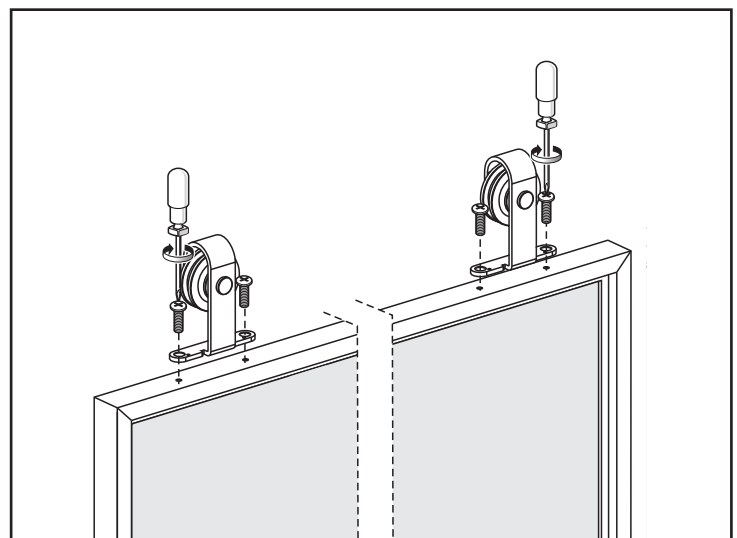
## Step 2. Soft Close Installation

Unscrew the screw with a wrench firstly. Change the soft closes to the correct direction, then tighten and install them on the rail.



## Step 3. Door Preparation – Strap Installation

Install the rollers on the reserved hole of the top of door by 3/16"x15/32" screw.

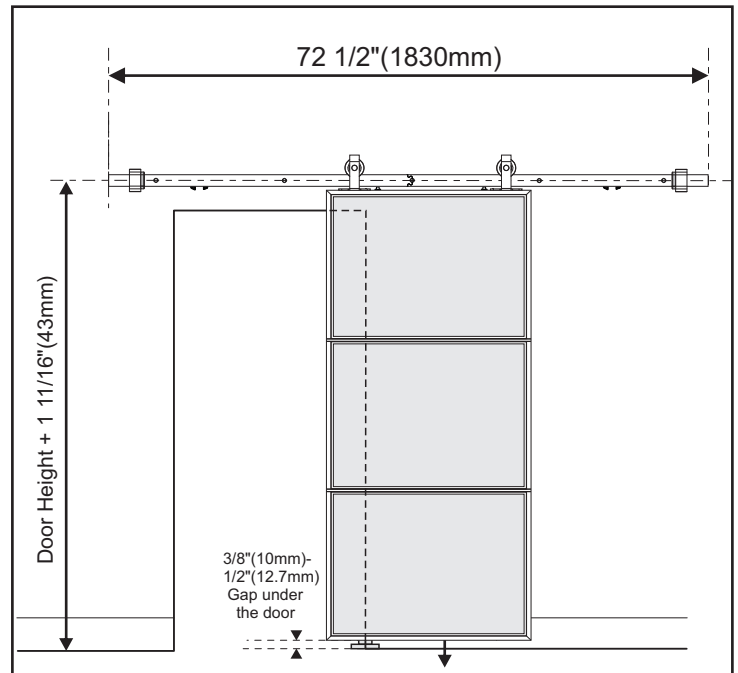


# BARN DOOR HARDWARE KIT TSQ14BK-6FT+TKM02 INSTALLATION GUIDE

## Step 4. CONCRETE Wall Preparation1

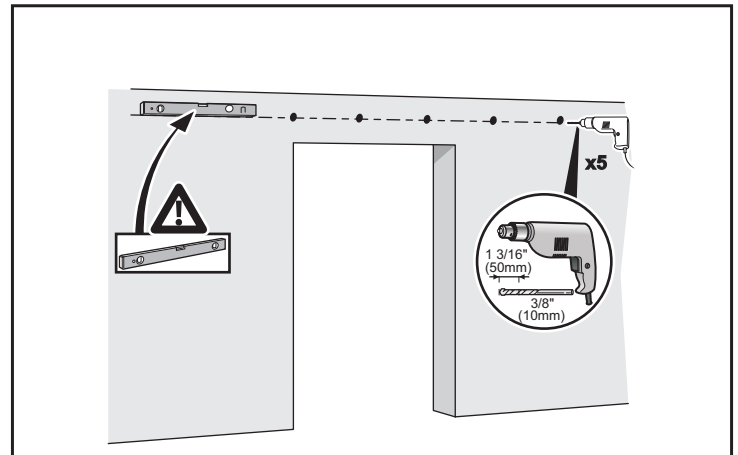
Position the rail by measuring up from the door height (H) + 1 11/16" to the centre of the track. Also ensure a gap of 3/8" - 1/2" at the bottom. Ensure the rail is level and leave a minimum of 2" from the end of the rail to the side of the opening.

If installing with an opening for 80" standard door size, remove the top trim and cut the side trim horizontally along the height of the opening.



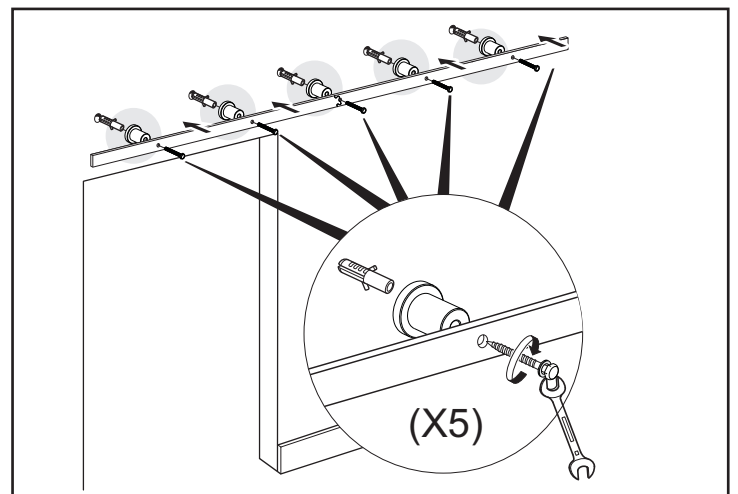
## Step 5. CONCRETE Wall Preparation2

Position the rail in place ensuring that it is level, mark the holes on the rail using a pencil and pre-drill 3/8" holes into the concrete.



## Step 6. CONCRETE Rail Installation

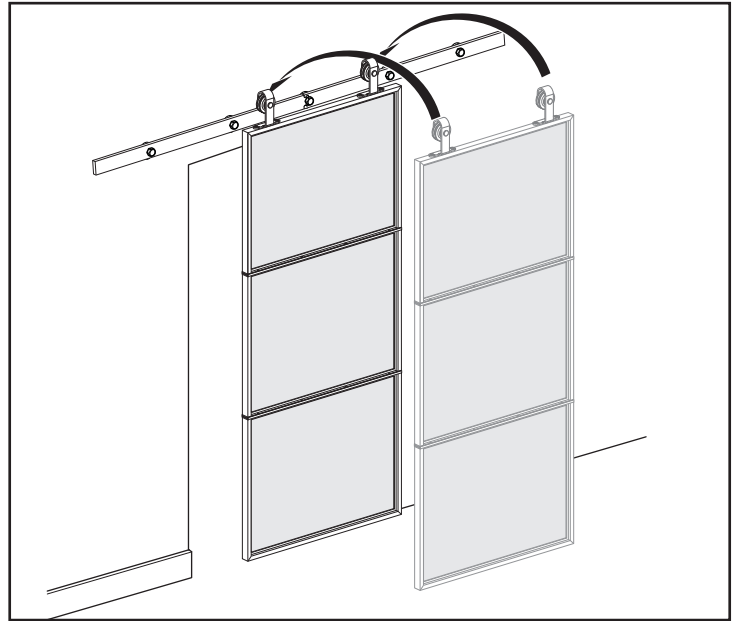
When installing directly into concrete, align the spacers to holes, insert using the provided anchors and hex bolts (with washers). Ensure to un-screw to separate the hex bolt and anchor to install correctly, securing with a wrench.



BARN DOOR HARDWARE KIT  
TSQ14BK-6FT+TKM02  
INSTALLATION GUIDE

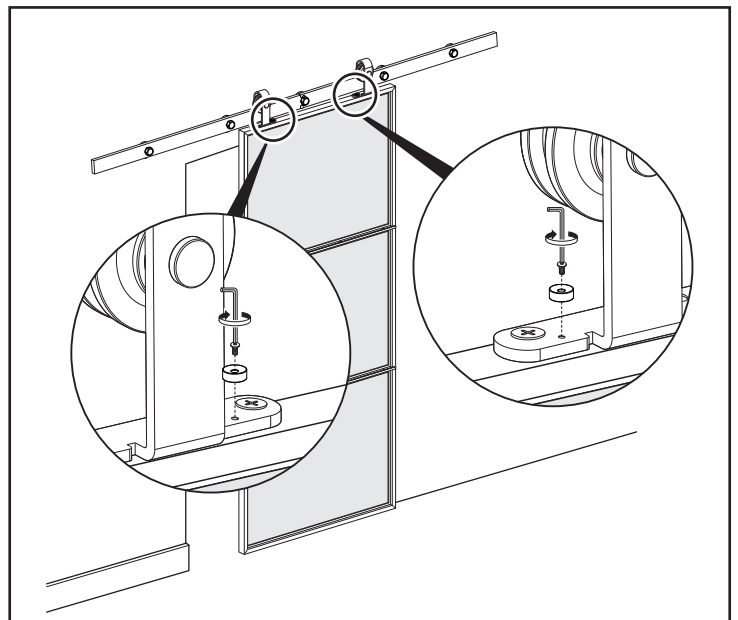
**Step 7. Hanging the Door**

Place the assembled door onto the secured rail and tighten



**Step 8. Door Preparation - Anti-jump block Installation**

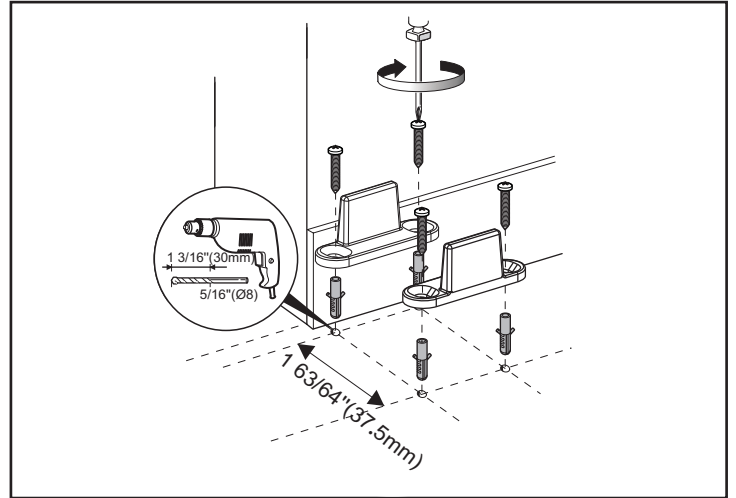
Install the anti-jump on the rollers by 5/32" x 1/4" screw to protect the door from touching the rail when sliding the door.



# BARN DOOR HARDWARE KIT TSQ14BK-6FT+TKM02 INSTALLATION GUIDE

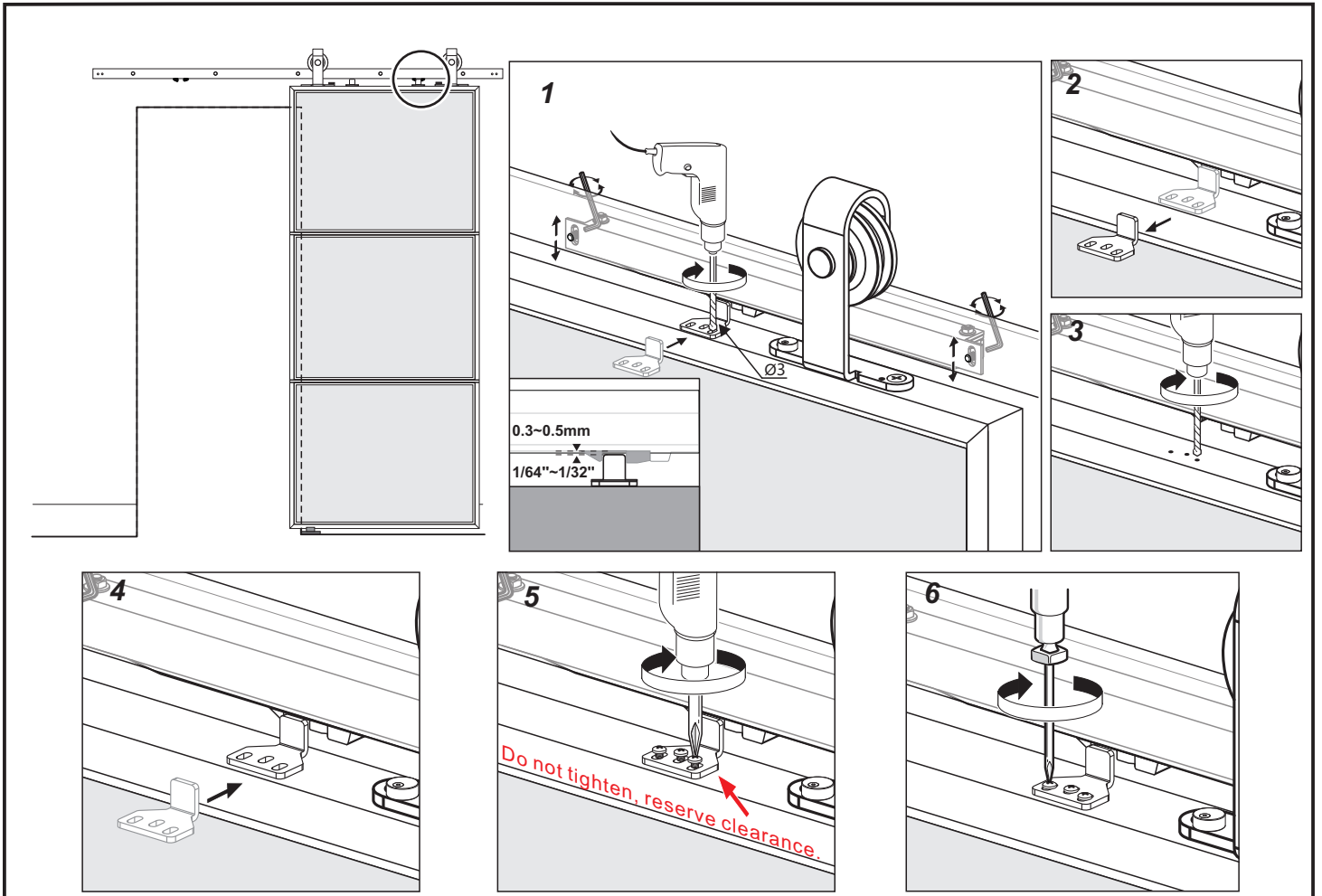
## Step 9. Floor-Mounted Door Guide Installation

Once the door is plumb, position the floor-mounted door guide inside the mortised door, line up close to the opening. Slide the door side-to-side to ensure functionality for final placement then mark holes with a pencil and pre-drill  $5/16"$  holes. If drilling directly into a concrete floor, use the provided anchors.



## Step 10. Install right left close attachment

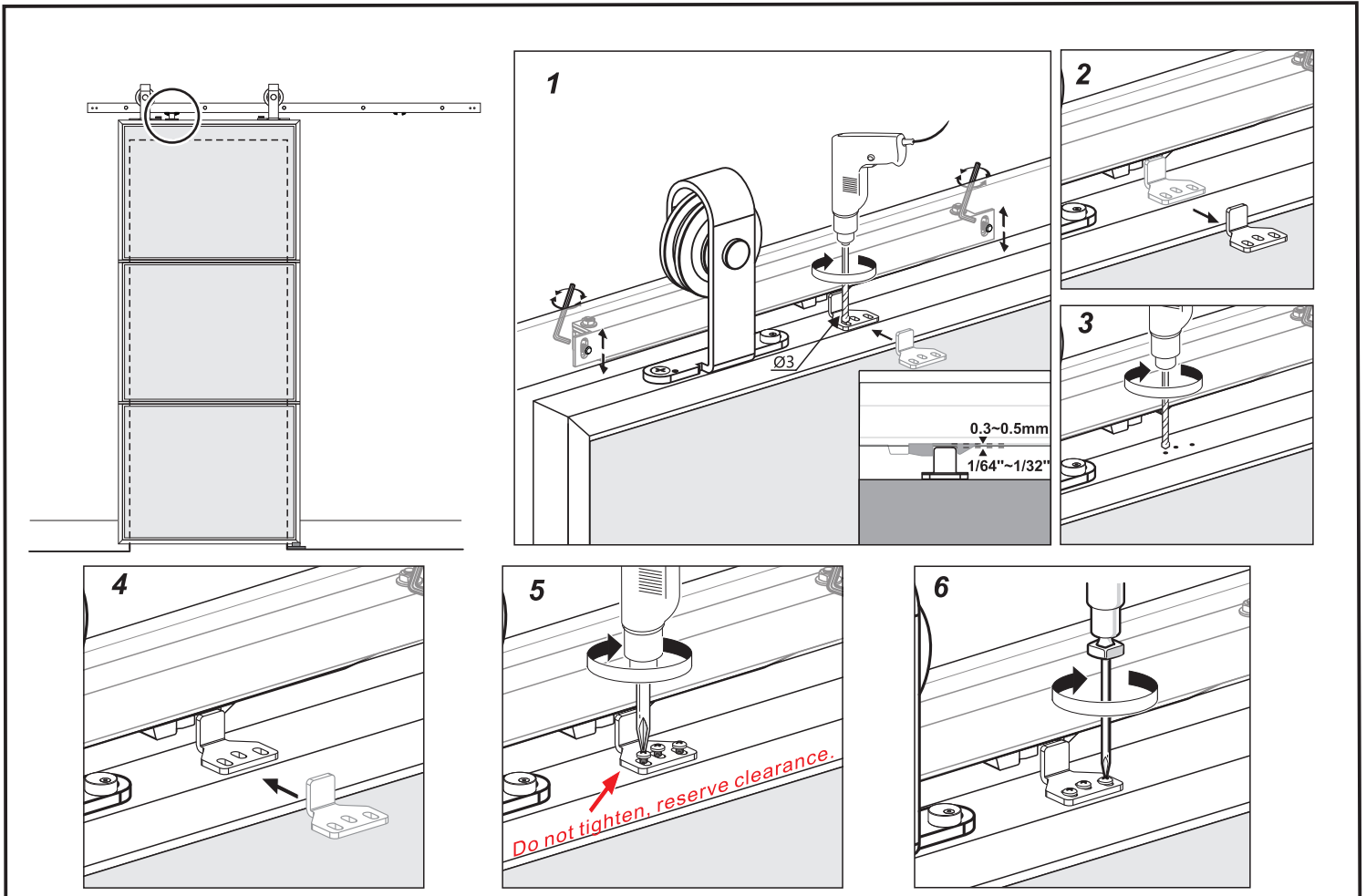
Completely open the door, place the actuator beneath the middle position of the slider, ensure to leave a gap of  $1/64"$ ~ $1/32"$  above the top of actuator. Mark holes on door top, insert the screws provided and secure the actuator with a phillips screwdriver.



# BARN DOOR HARDWARE KIT TSQ14BK-6FT+TKM02 INSTALLATION GUIDE

## Step 11. Install right soft close attachment

Completely open the door, place the actuator beneath the middle position of the slider, ensure to leave a gap of 1/64"~1/32" above the top of actuator. Mark holes on door top, insert the screws provided and secure the actuator with a phillips screwdriver.



## Step 12. Stopper Installation

Slide the door closed and to correct position of both stoppers. Using the provided Allen key, tighten into position to complete the installation of the Barn Door Kit.

