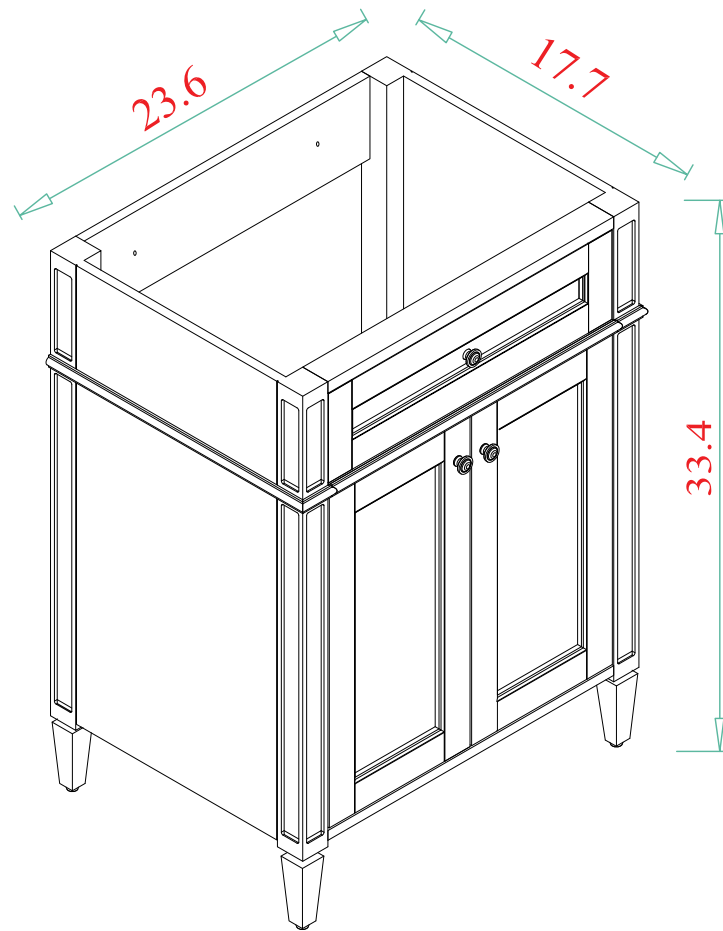


# INSTALLATION INSTRUCTIONS

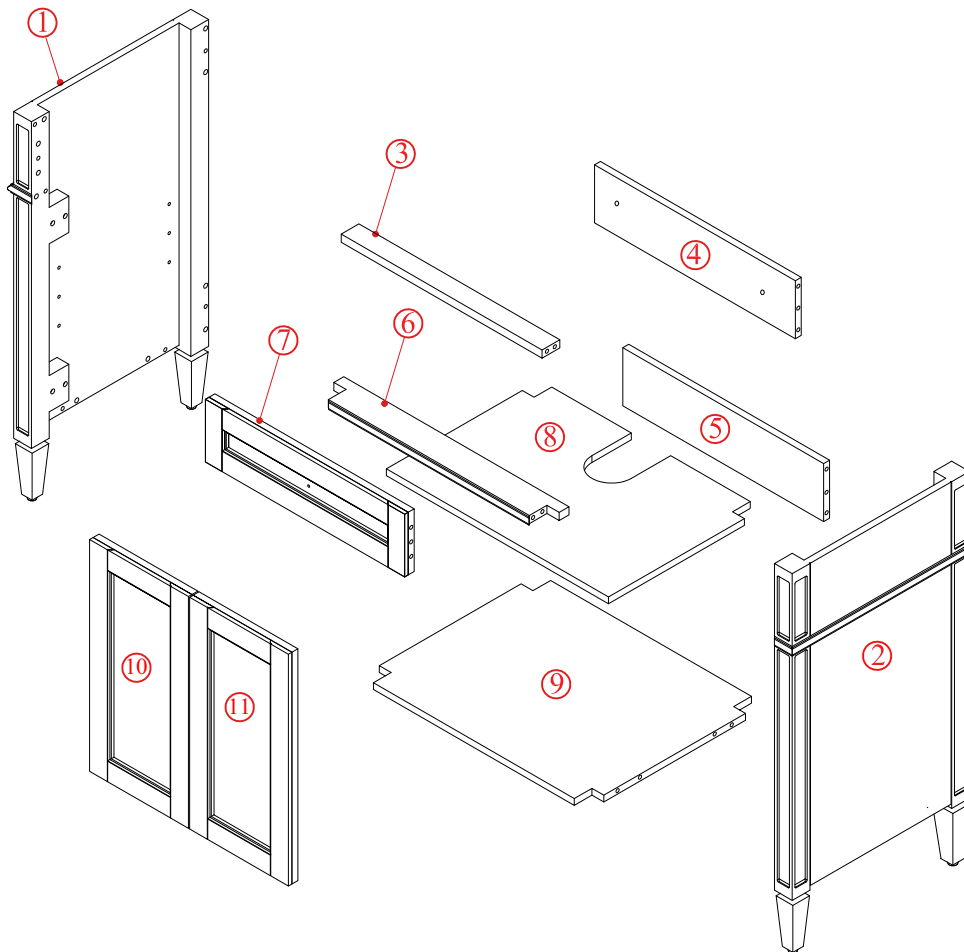
**\*The vessel and faucet set is not included**

# DIMENSIONS

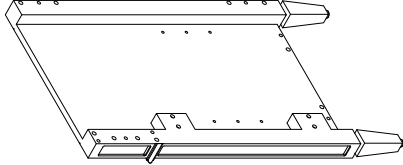
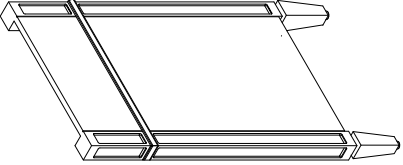
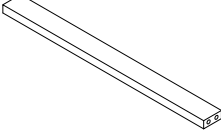
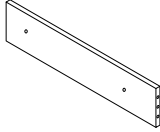
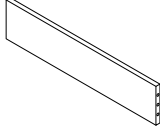
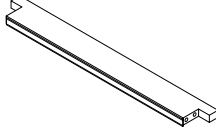
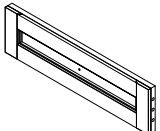
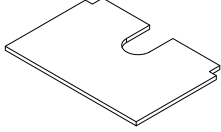
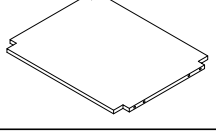
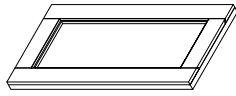
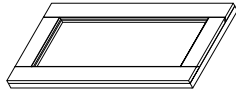


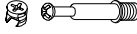
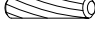
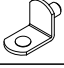

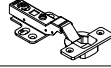





Unit: inch

# ASSEMBLY DIAGRAM



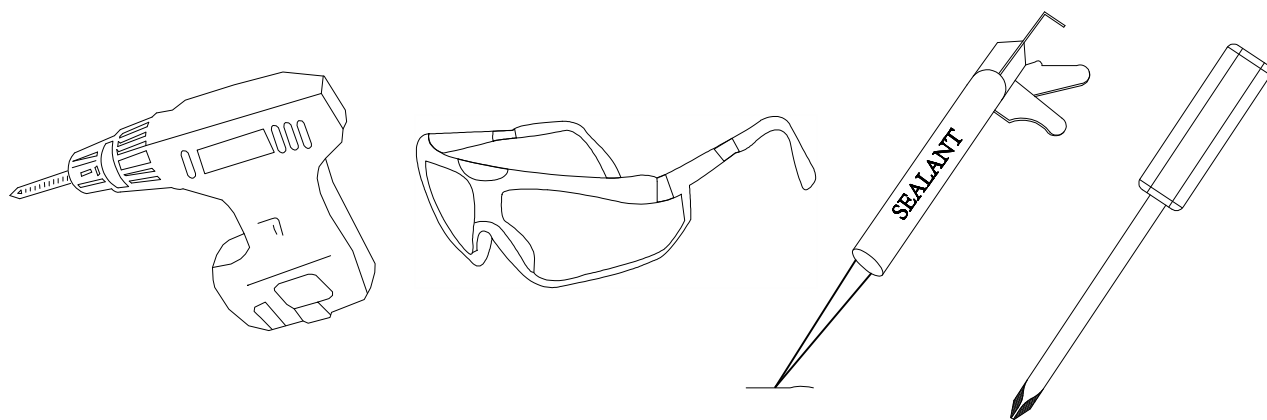
# PARTS LIST

PARTS LIST		
No.	Description	QTY
1		1
2		1
3		1
4		1
5		1
6		1
7		1
8		1
9		1
10		1
11		1

HARDWARE LIST		
No.	Description	QTY
A	 Three-in-one Connector	20
B	 Wood Plug	14
C	 SHELF SUPPORT	4
	 Screws M3.5x12	4
D	 Hinges	4
	 Screws M3.5x15	24
E	 Handle	3
F	 Handle Screws M4x24	1
G	 Handle Screws M4x31	2
H	 Screws For Fix On The Wall	2

**CAUTION:** Please confirm the parts list before installation

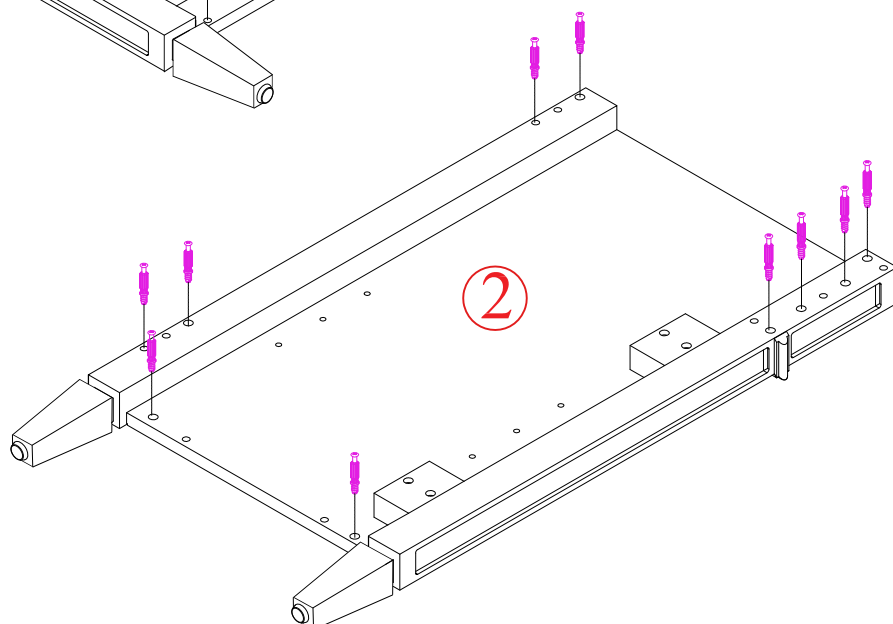
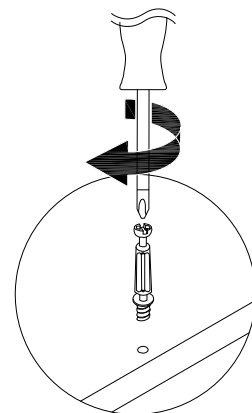
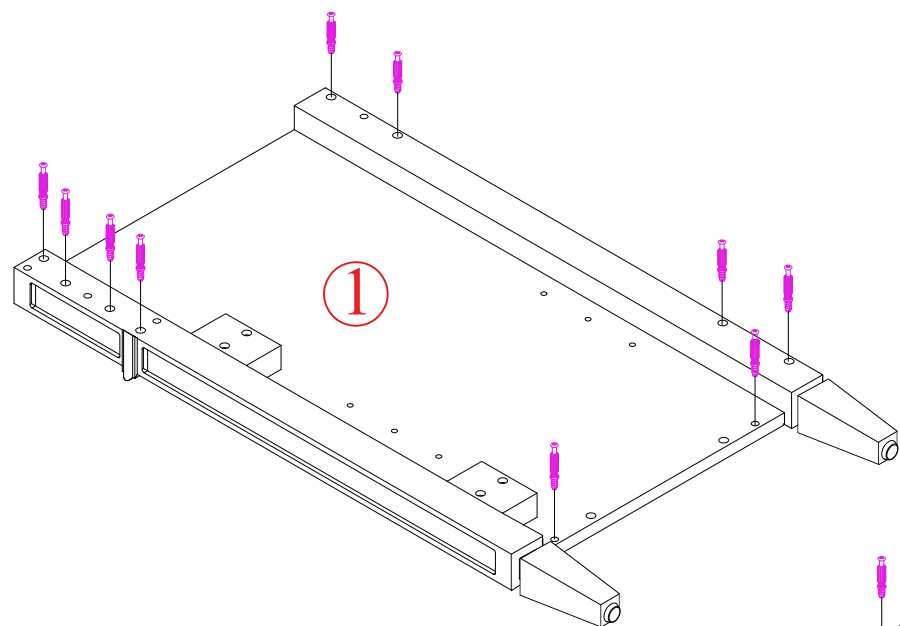
# YOU MAY NEED (NOT SUPPLIED)



## INSTALLATIONS

### STEP 1

HARDWARE LIST		
A		20 PCS
		

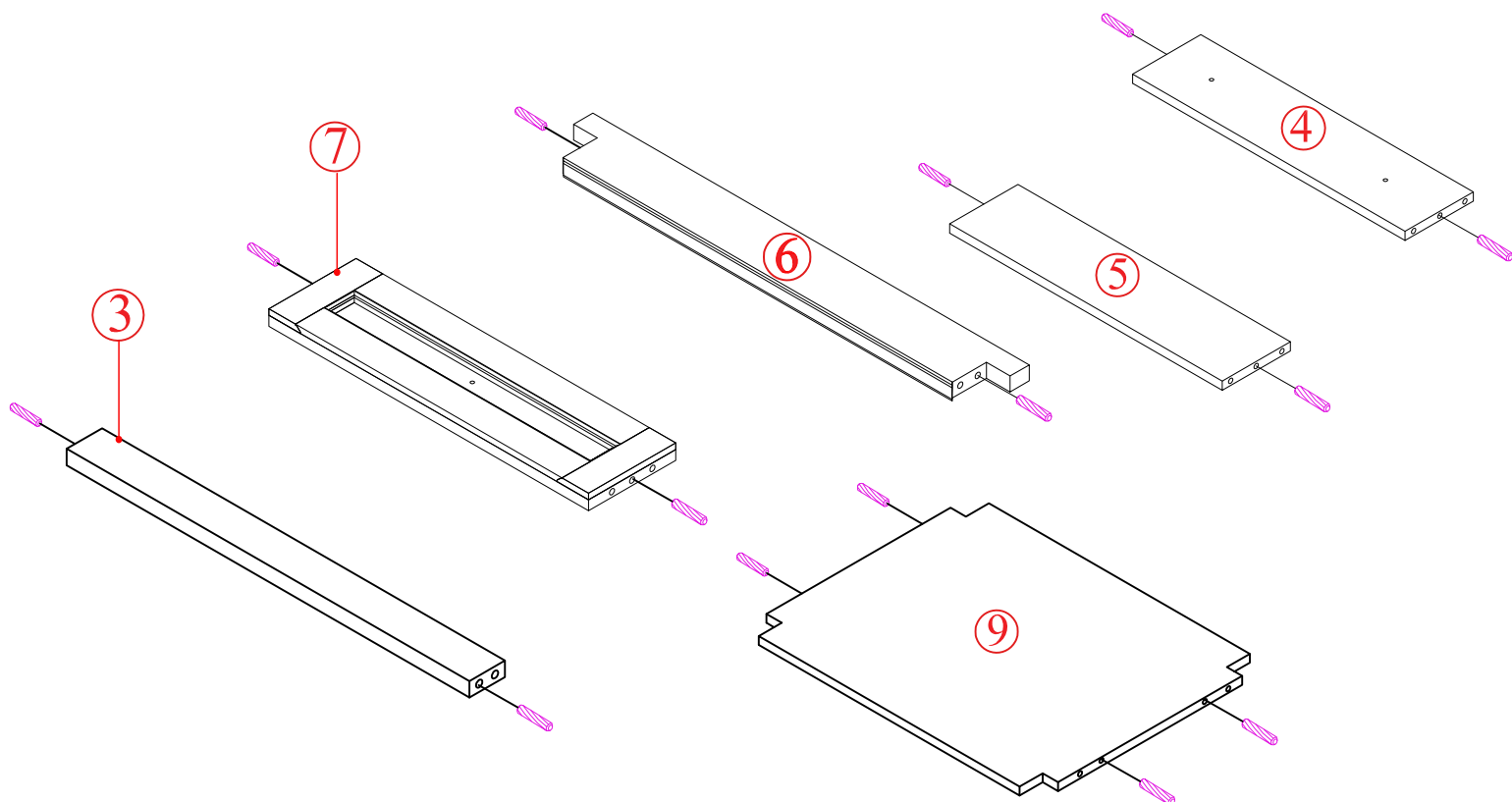


- Insert the Cam Screw into the shelves above
- Fitted to furniture, the adjustable feet can be rotated

## STEP 2

### HARDWARE LIST

B  14 PCS

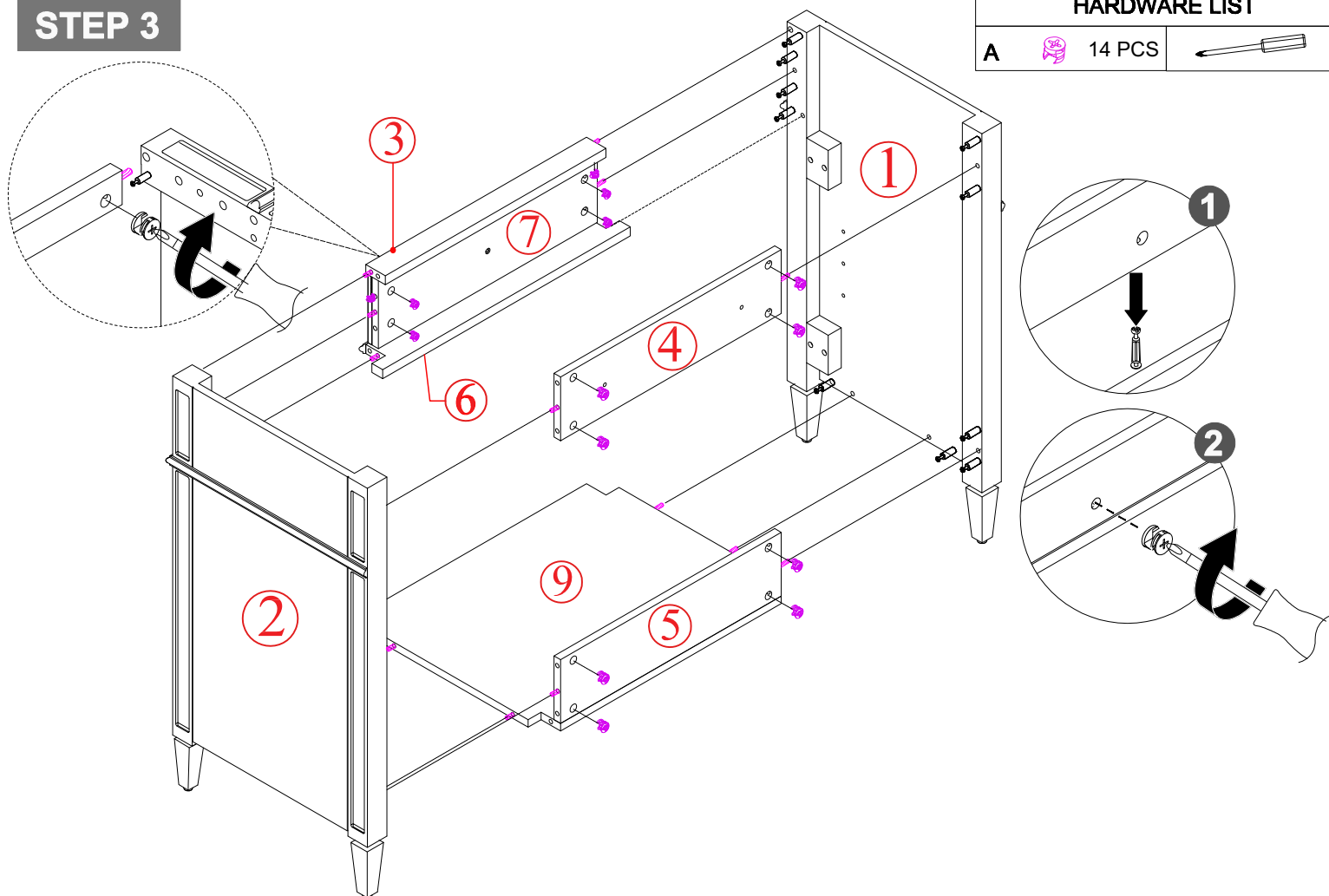


- Insert the wooden dowel pins into the shelves

## STEP 3

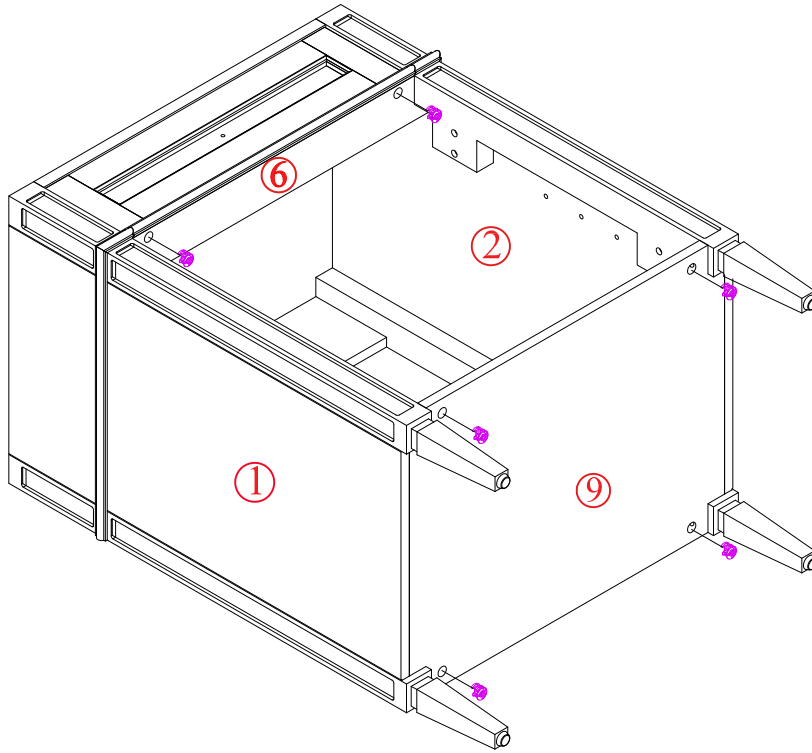
### HARDWARE LIST



A  14 PCS



- Refer to the illustration, already assembled #3,#4,#5,#6,#7,#9 on the shelf #1 and #2. Then tighten the cam lock.

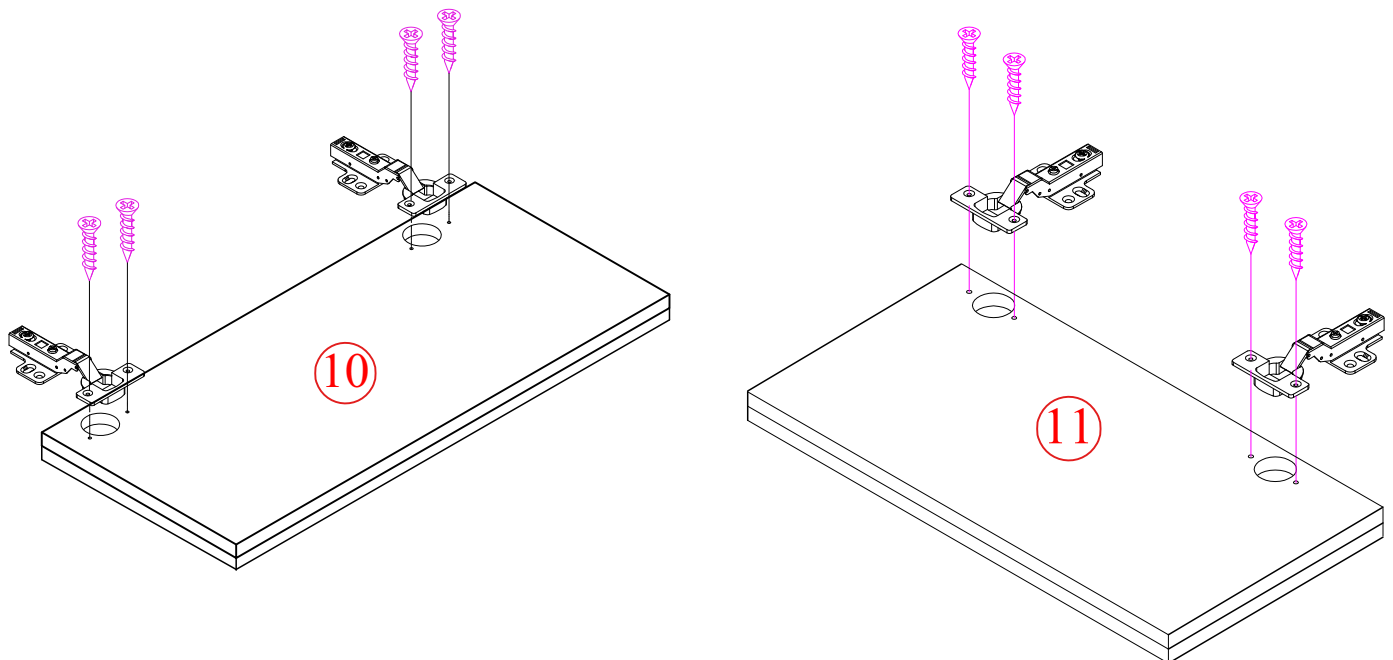
## STEP 4


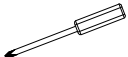



HARDWARE LIST		
A	 6 PCS	

- Insert panel #6, #9 and #1, #2 to their corresponding positions. Then tighten the cam lock.

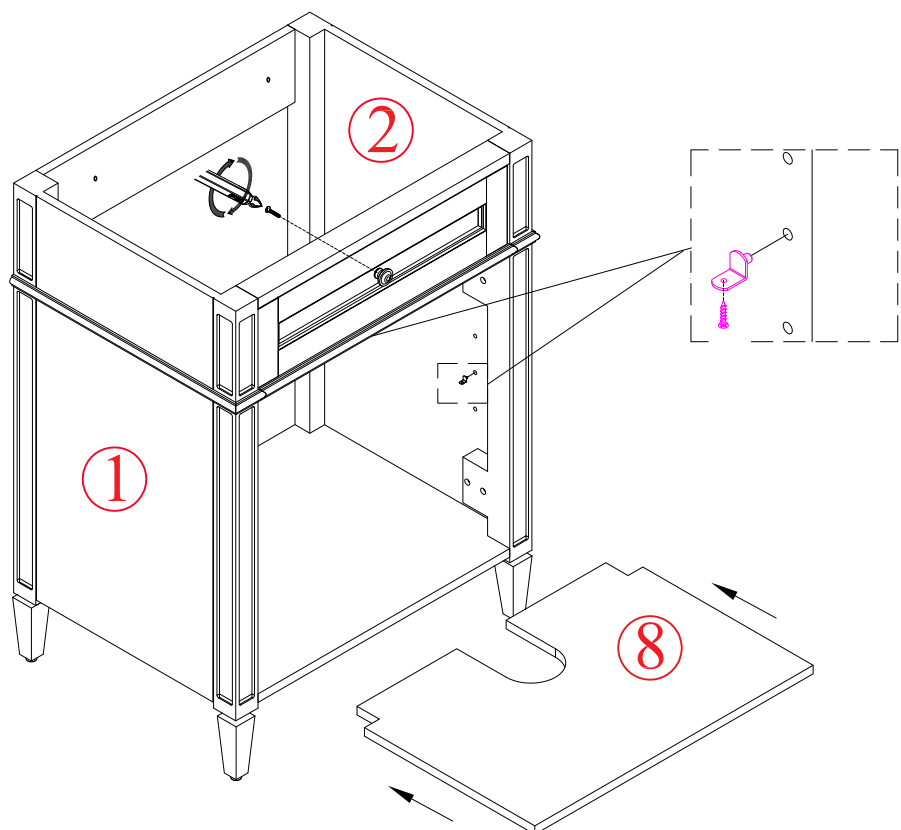
## STEP 5



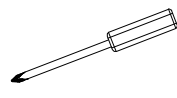
HARDWARE LIST		
D	 4 PCS	
	 8 PCS	

- Use Screws to install the handle and apply Screws to fix the hinge on the shelf #10 and #11.

# STEP 6

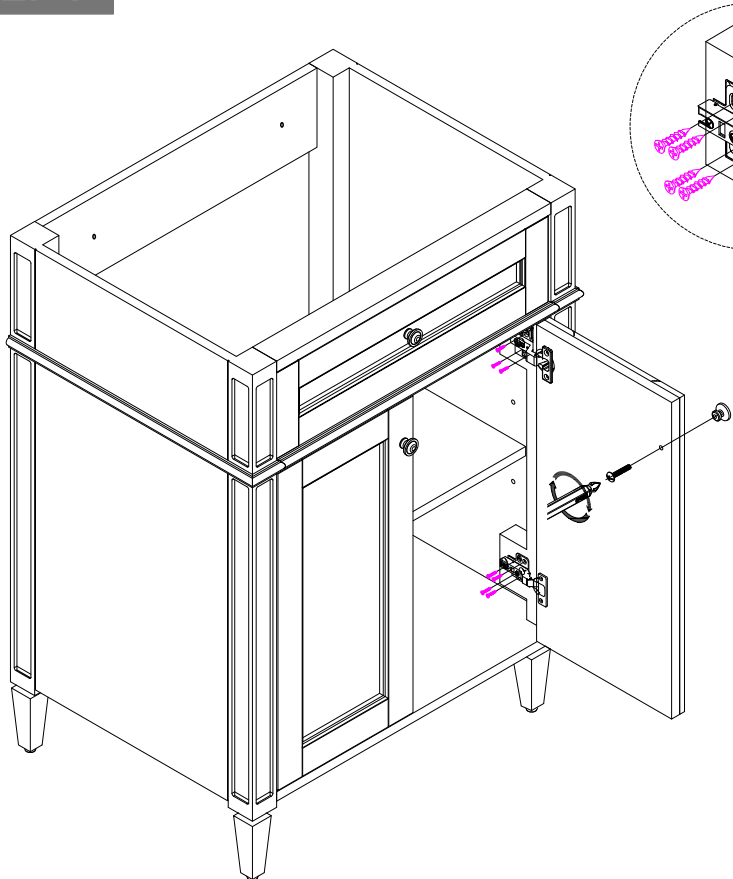


HARDWARE LIST		
C		4 PCS
		4 PCS
E		1 PC
F		1 PC

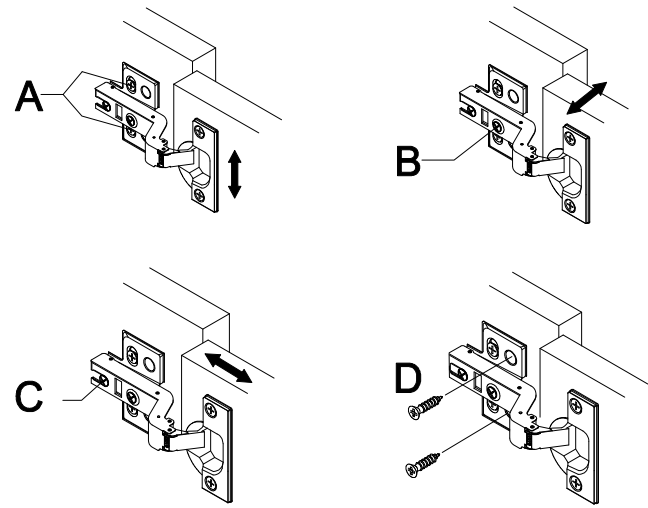
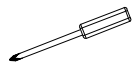


- Insert the floor shelf support sequentially into the side frame #1 and #2 . Then put the #8 floor inside the cabinet
- Use screws to attach to the floor support .

# STEP 7



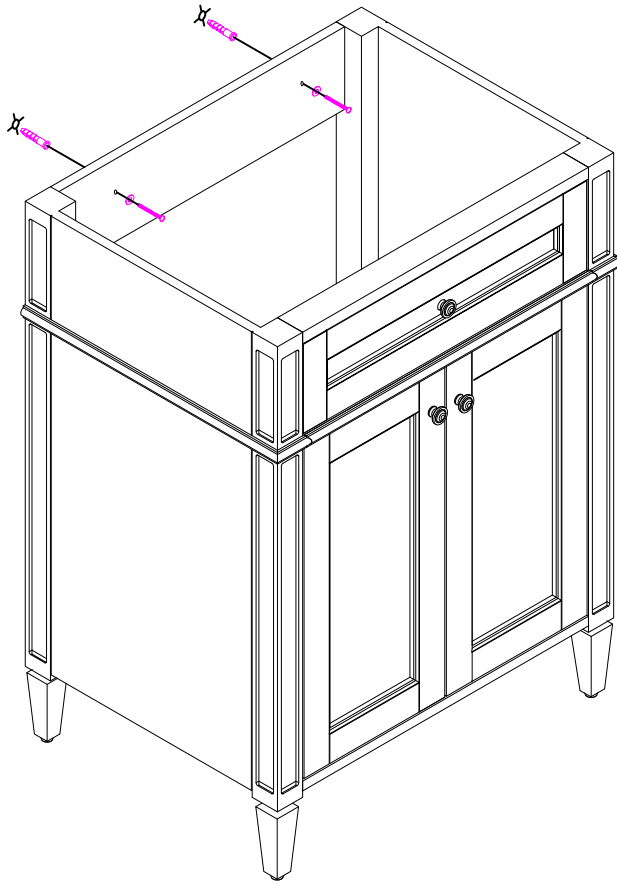
HARDWARE LIST		
E		2 pcs
G		2 pcs
D		16 pcs






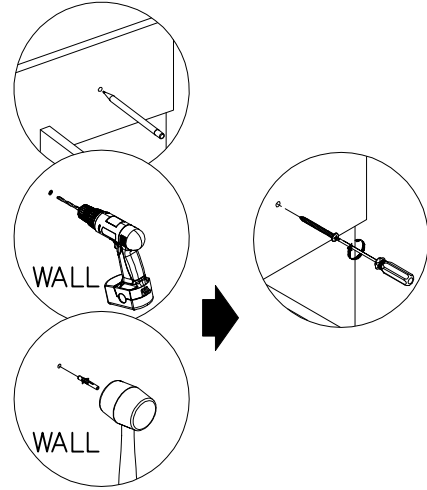
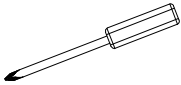
- A. Height adjustment
- B. Side to side adjustment
- C. Depth adjustment
- D. After adjustment A/B/C, tighten screws

- To ensure proper cabinet alignment, refer to the above illustrations for instructions about adjusting the cabinet height, depth and lateral movement.

## STEP 8

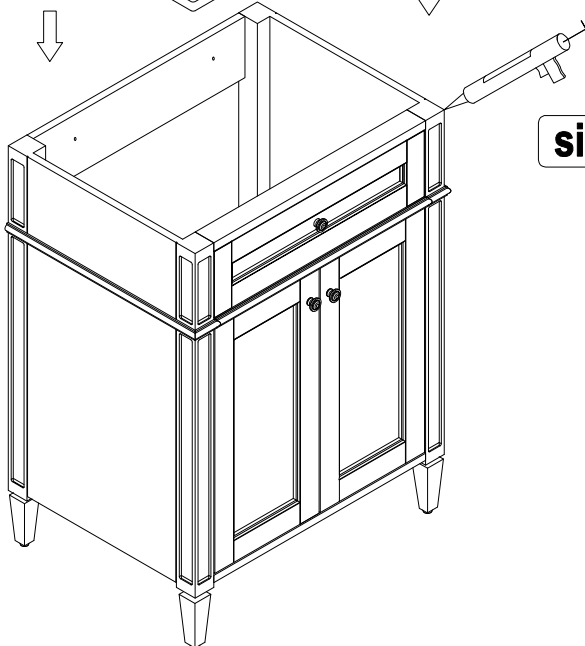
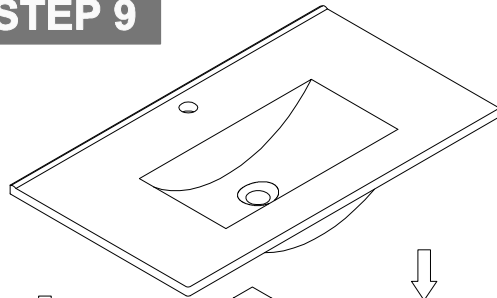


HARDWARE LIST		
H		2PCS
H		2PCS
H		2PCS

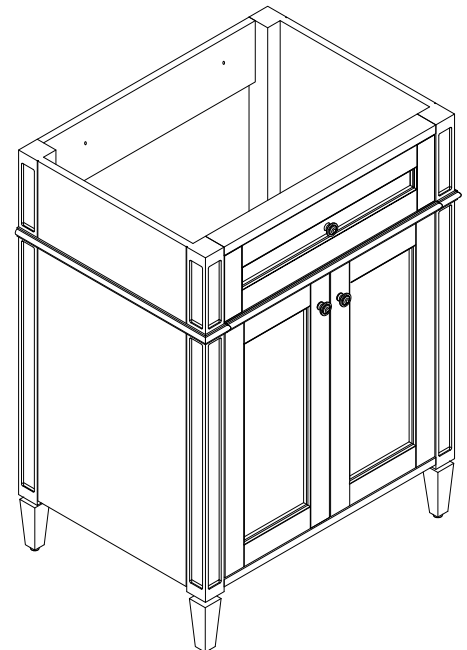


- Refer to the illustration, Draw the spacing between the walls on the cabinet, punch holes in the wall, and fix the cabinet to the wall with screws.

## STEP 9



**silicone transparent**



- To help prevent mildew, apply sealant to the space between the wall and the edge of the cabinet.

## CARE AND CLEANING

1. Many cleansers contain abrasive and chemical substance which is not suitable for cleaning stainless steel, enamel, plating or plastic products. You may use mild cleansers or soaps to clean the surfaces. Wipe any splashes of cleaner solutions from the surface with a clean soft cloth.
2. Maintain ventilation in the bathroom and separate the dry area from the damp one if conditions permit. Try to open the door and windows of the bathroom to maintain adequate ventilation.
3. This cabinet is built to withstand normal bathroom humidity. For best results, keep this vanity dry and take necessary steps to minimize bathroom humidity by opening windows and doors and using the exhaust fan (if available).
4. To maintain the cabinet door, clean and wipe the door regularly with a soft cloth. Wipe condensation with a dry, soft cloth. Keep away from resin and high temperatures.
5. Please do not sit, lean or step on the basin cabinet.