










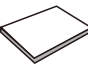
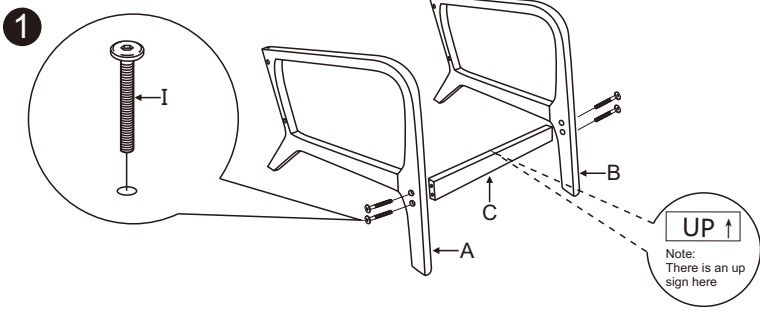
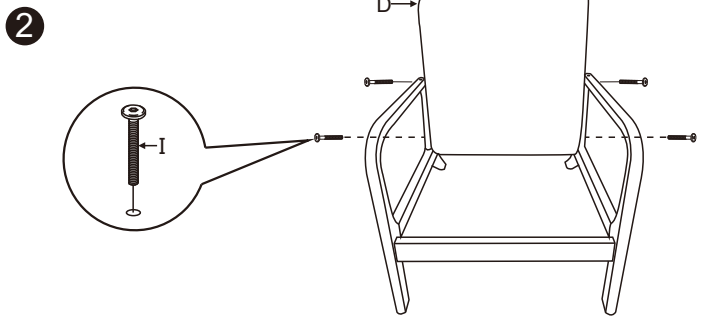


# INSTALLATION INSTRUCTIONS

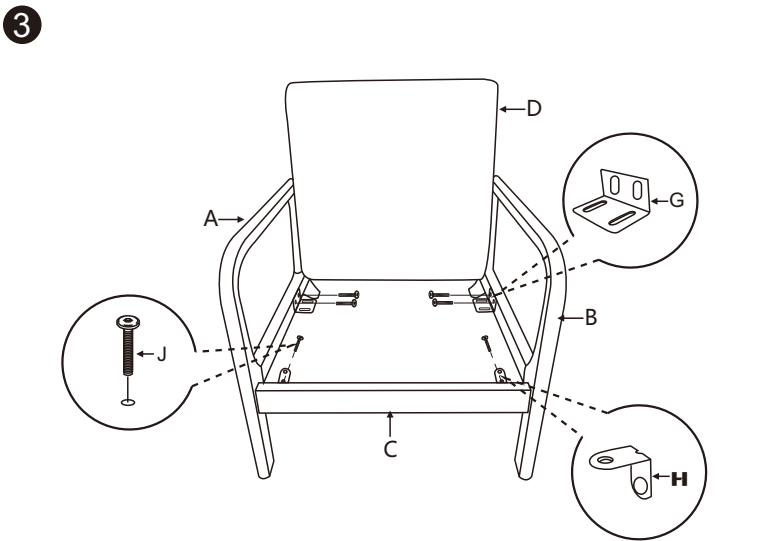
Ax1  Right armrest	Bx1  Left armrest	Cx1  Crossbar	Dx1  Backrest	Ex1  Cushion	Fx1  Accent pillow	Gx2  Angel bracket 1	Hx2  Angel bracket 2	Ix8  8X50mm	Jx12  6X20mm	Kx1  Allen key	Lx4  Felt pad
--	--	--	--	---	---	---	--	--	---	---	--



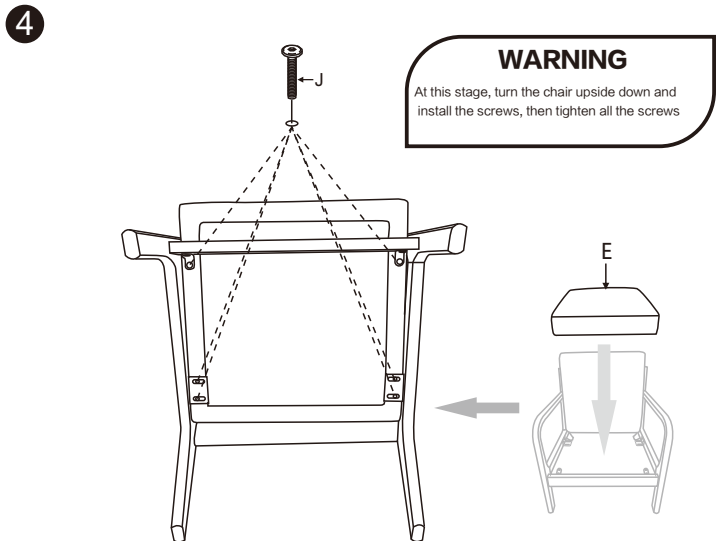
1. Use 4 8x50mm screws (I) to secure crossbar (part C) to the armrests (parts A & part B), and tighten the screws to 50%.



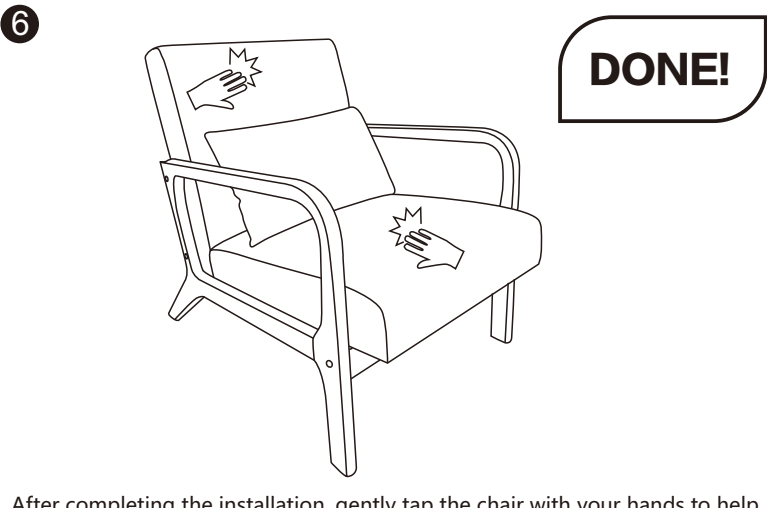
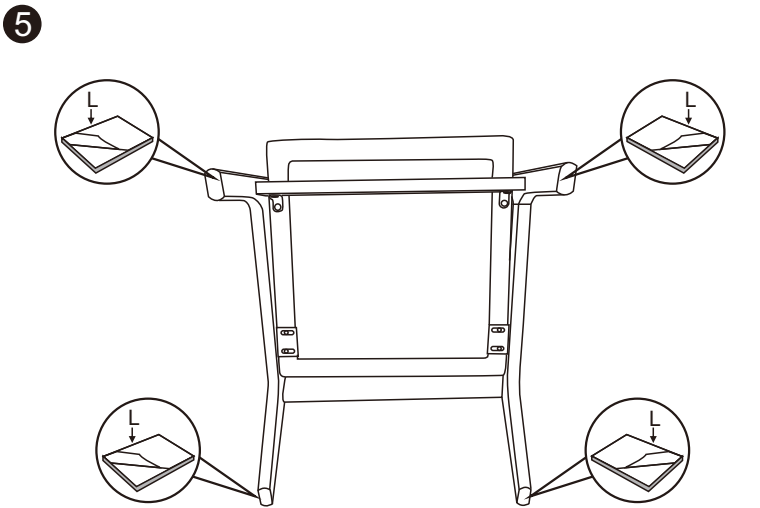
2. Use 4 8x50mm screws (I) to secure the backrest (part D) to the armrests (part A & part B), and tighten the screws to 50%.



3. Use 4 6x20mm screws (J) to secure angle bracket 1 (part G) to the armrests (part A & part B), and also secure angle bracket 2 (part H) to part C. Tighten all screws to 50%.



4. Place the cushion (part E) on the chair, and turn the chair 90 degree, and secure cushion to the chair with 4 6x20mm screws (J), then tighten all screws to 100% with Allen Key (K)



After completing the installation, gently tap the chair with your hands to help it regain its shape and ensure it sits flatter. For best results, we recommend allowing the chair to fully rebound by leaving it unpacked for 24 hours after opening.