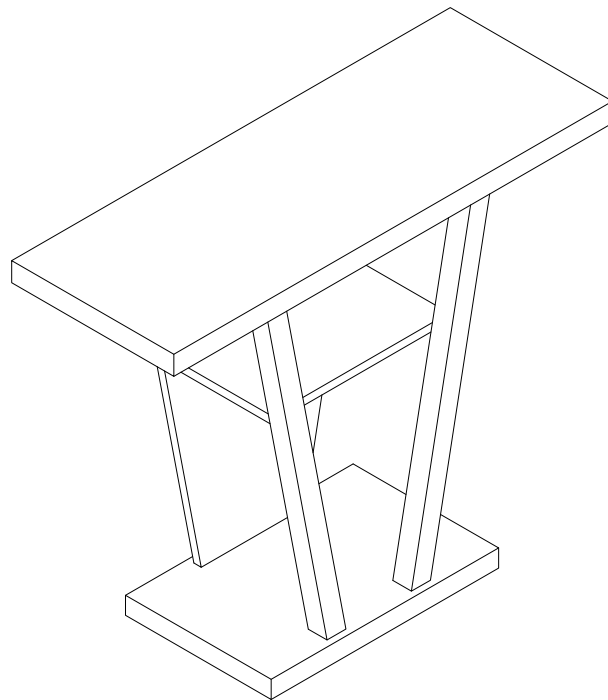


ASSEMBLY INSTRUCTIONS



Console Table

ASSEMBLY INSTRUCTIONS

ASSEMBLY TIPS:

- 1.Remove hardware from box and sort by size.
- 2.Please check to see that all hardware and parts are present prior to start of assembly.
- 3.Please follow attached instructions in the same sequence as numbered to assure fast & easy assembly.



Warning !!

1. Don't attempt to repair or modify parts that are broken or defective. Please contact the store immediately.
2. This product is for home use only and not intended for commercial establishment.

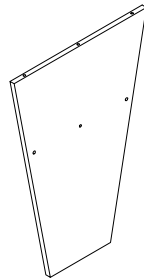


ASSEMBLY TIME

30 MINUTES

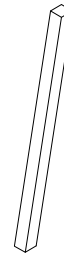
PARTS IDENTIFICATION

(A) BACK PANEL



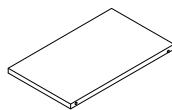
1 PC

(D) LEFT LEG



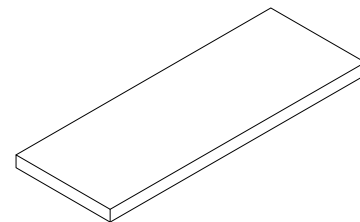
1 PC

(B) SHELF



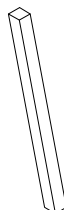
1 PC

(E) TOP



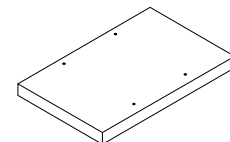
1 PC

(C) RIGHT LEG






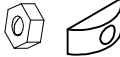








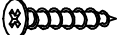

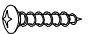
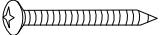



1 PC

(F) BOTTOM BOARD



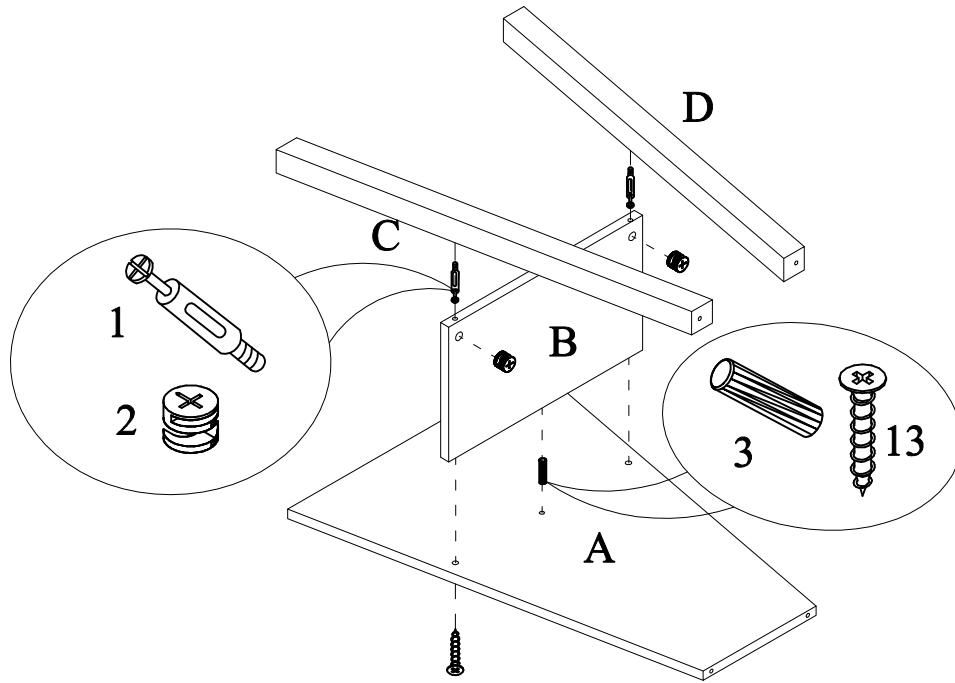
1 PC

HARDWARE IDENTIFICATION

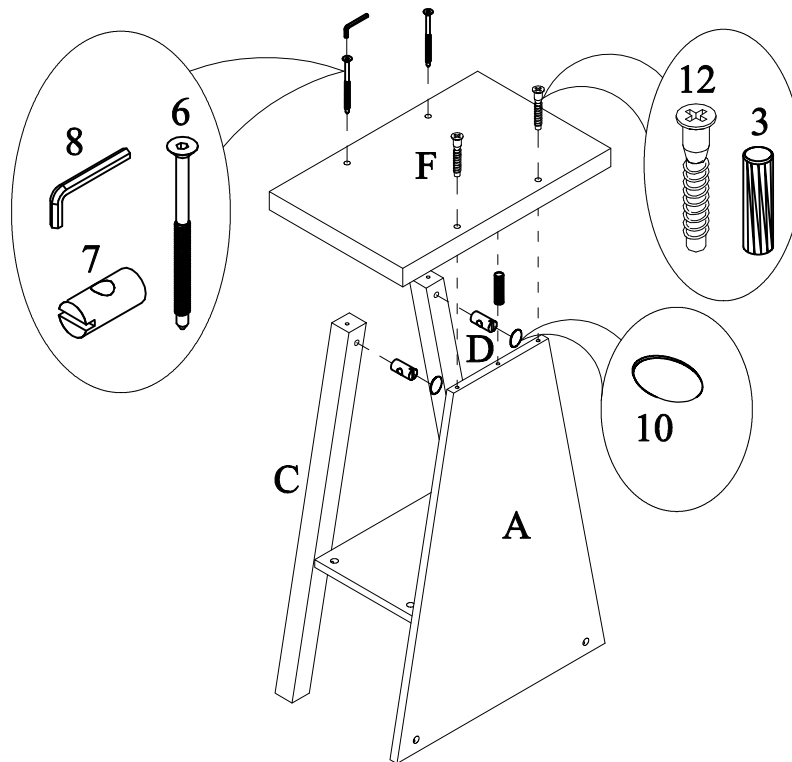
1	CAM BOLT	L=29mm		4 pcs
2	CAM LOCK	Ø15mm		4 pcs
3	DOWEL	Ø8×25mm		3pcs
4	CONNECTING PIECE			2sets
5	FULL-THREAD ROD	Ø8×70mm		2pcs
6	HAMMER BOLT	Ø6×65mm		2pcs
7	HAMMER NUT	Ø10×15mm		2pcs
8	ALLEN WRENCH	M4mm		1pc
9	LARGE STICKER	Ø45mm		2pcs
10	SMALL STICKER	Ø15mm		2pcs
11	OPEN END WRENCH	M13mm		1pc
12	THREADED SCREW	Ø7×58mm		2pcs
13	MEDIUM WOOD SCREW	Ø4×40mm		2pcs
14	STRAP	197×5×1mm		1 pc
15	SMALL WOOD SCREW	Ø4×25mm		1 pc
16	LARGE WOOD SCREW	Ø5×40mm		1 pc
17	PLASTIC WALL ANCHOR	Ø8×40mm		1 pc
18	METAL BRACKETS	12×12×1mm		2pcs
19	GLUE			1 pc

ASSEMBLY INSTRUCTIONS

STEP 1

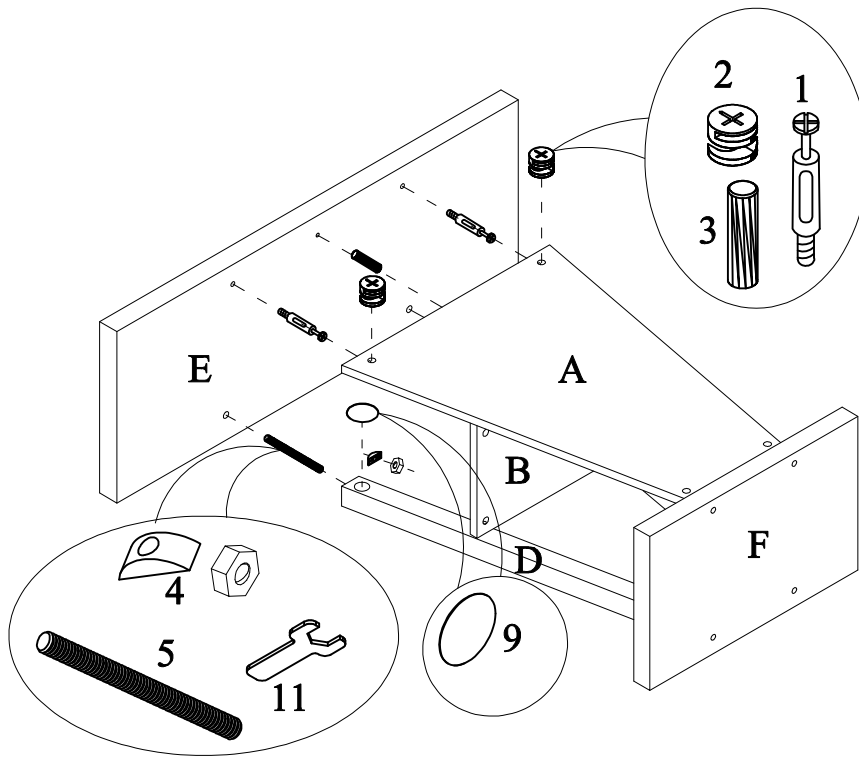


STEP 2

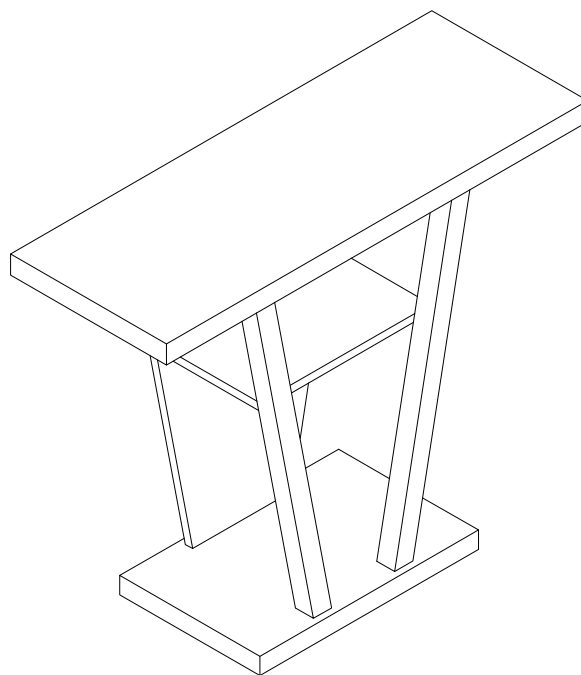


ASSEMBLY INSTRUCTIONS

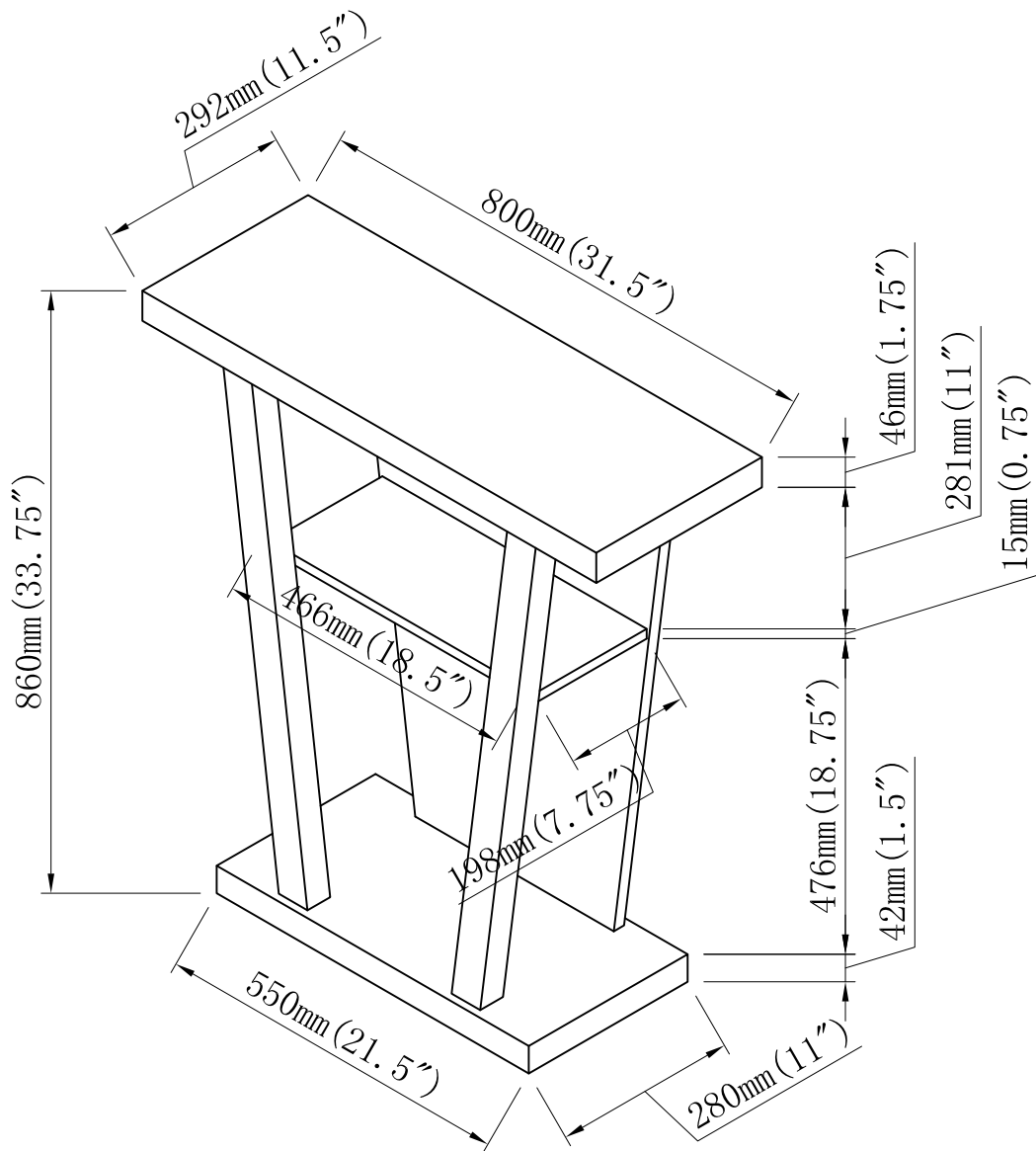
STEP 3



STEP 4



DIMENSION



ANTI-TIPPING INSTALLMENT INSTRUCTIONS

FURNITURE TIPPING RESTRAINT

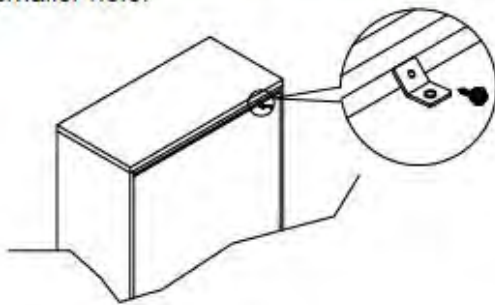
WARNING

Injury may result from tipping furniture.
This restraint may protect against tipping furniture.
Do not allow children to climb on furniture.
This restraint is not a substitute for proper adult supervision.
Failure to detach this restraint before moving the furniture may result in injury and damage.

This tip restraint must be attached to a wall stud using long screw enclosed.

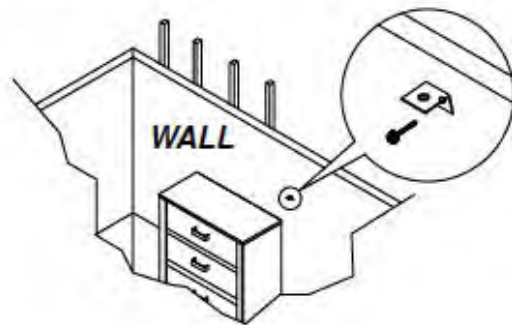
STEP 1

Attach a bracket securely to the back top rail to the furniture using short screw provided, through the smaller hole.



STEP 2

Locate the other bracket on the wall over a wall stud and two inches below the mounting bracket secured to the back of the furniture. Attach the wall stud using the long screw provided, through the smaller hole.



STEP 3

Place the furniture into position so both mounting brackets are vertically in line. Lace the end of the restraint strap through the larger hole in each mounting bracket. Bring both ends together and slide the flat end through the locking and draw it until all slack is removed. Confirm that the strap is securely laced and locked.

