


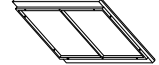

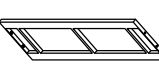


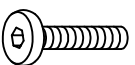

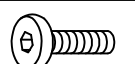

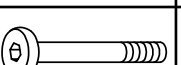
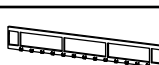
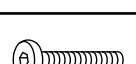
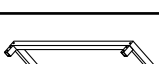
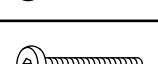



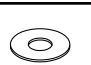
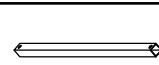

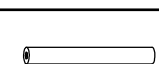
## CARE AND MAINTENANCE

Always use felt pads under all articles to prevent discoloration or softening of the lacquer. Plastic and rubber bases on items can discolor wood. Wipe up spills immediately and avoid common hazards such as hot dishes, harsh solvents and abrasives. Cleaning should be done with a soft lint free cotton cloth dampened with water or furniture polish. On highly used surfaces we recommend applying a quality paste wax which should be used on a regular basis to provide additional protection from scratches and spills. How often you apply the wax depends on how much wear the furniture receives.

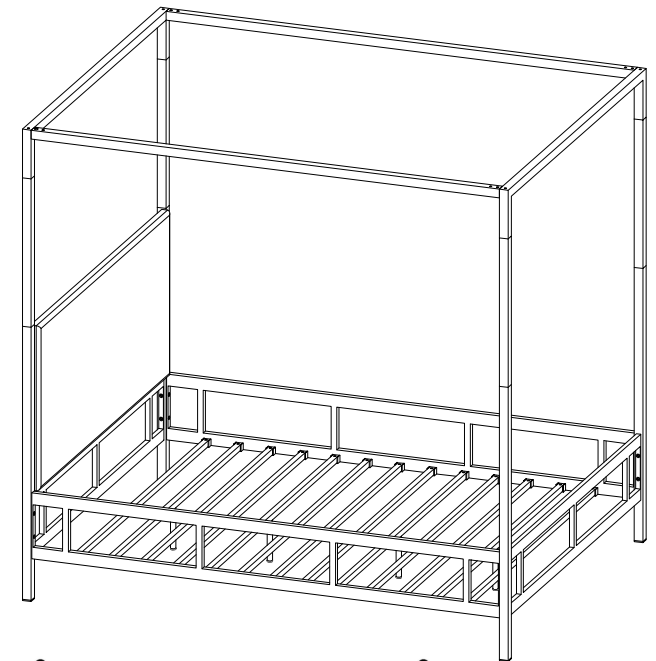
## NOTICE

- \* Please make sure that you have all parts indicated before you begin assembly of this item.
- \* This item should be assembled on a soft surface to prevent scratching the finish during assembly.
- \* This item may require periodic tightening.

### Part List and Hardware List

PIECE	DESCRIPTION	PICTURE	QUANTITY	PIECE	DESCRIPTION	PICTURE	QUANTITY
HW1	Allen Wrench 4mm		1X	A	Headboard		1X
HW2	Allen Wrench 5mm		1X	B	Bed End Frame		2X
HW3	Steel Hex Bolts 5/16" x 3/4"		16X	C	Left Acrylic Post- Headboard		1X
HW4	Bolt 1/4" x 3/4"		8X	D	Right Acrylic Post-Headboard		1X
HW5	Bolt 1/4" x 5/8"		26X	E	Acrylic Post- Footboard		2X
HW6	Socket Screws 1/4" x 140mm		4X	F	Long-side Frame		2X
HW7	Socket Screws 1/4" x 1-1/4"		4X	G	Short-side Top Frame		2X
HW8	Socket Screws 1/4" x 1-1/2"		4X	H	Long-side Top Frame		2X
HW9	Washers 5/16"		16X	I	Cross Slat with Hole		4X
HW10	Washers 1/4"		30X	J	Cross Slat		9X
HW11	Spring Washers		16X	K	Center Support Leg		4X

Product Dimensions: 79"W x 83.07"D x 80"H

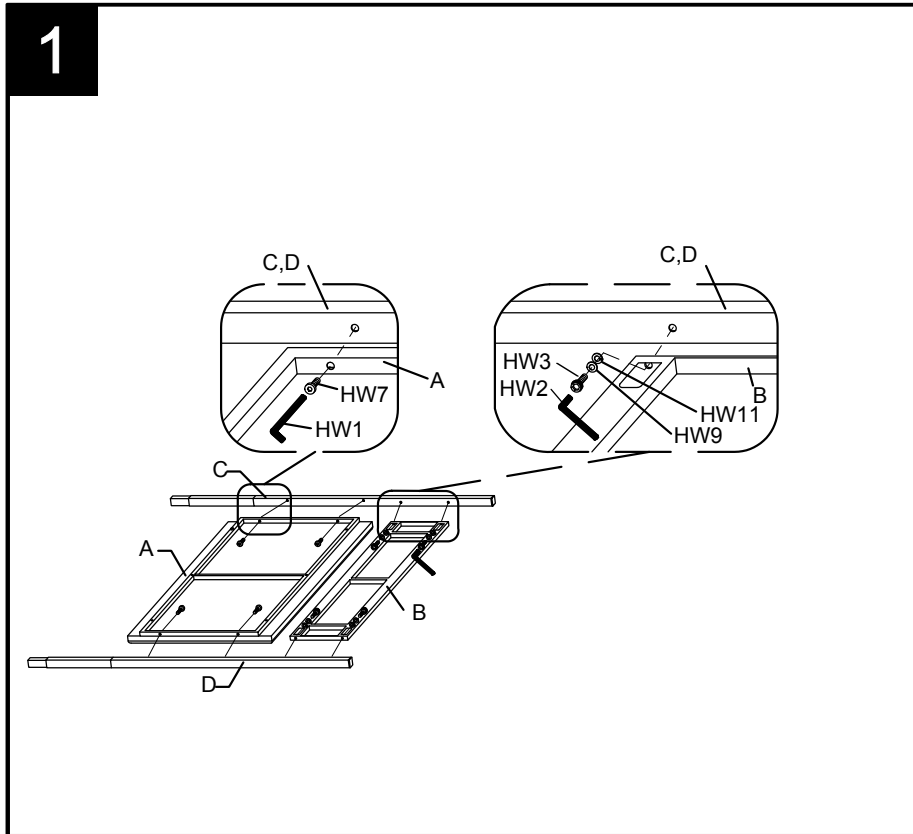


Weight Capacity: 550lbs  
**WARNING: DO NOT STAND ON THE BED. DO NOT OVER TORQUE BOLTS AND SCREWS.**

## PREPARATION

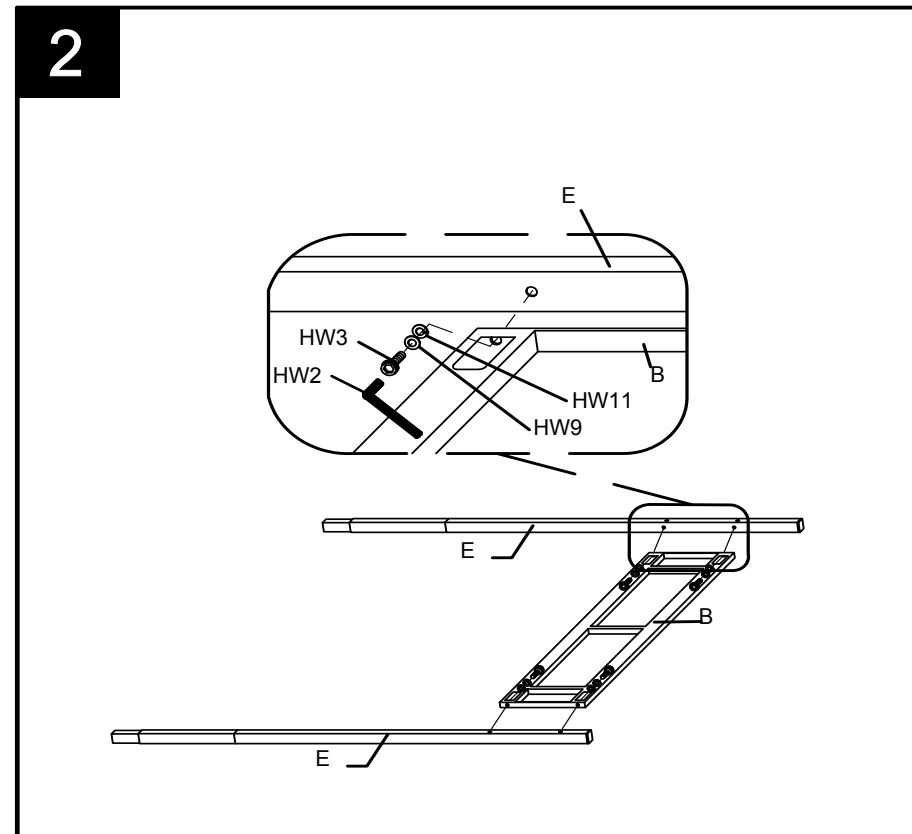
Before beginning assembly of product, make sure all parts are present. Compare parts with package contents list. If any part is missing or damaged, do not attempt to assemble the product.

Estimated Assembly Time: 60 minutes.



Step 1

Assemble headboard (A), left acrylic bedpost (C) and right acrylic bedpost (D) with socket screw (HW7) by use of Allen wrench (HW1) as shown in drawing. Then assemble bed end frame (B) to acrylic bedpost (C) and (D) with steel hex bolt (HW3), washer (HW9) and spring washers (HW11) and fasten it by Allen wrench (HW2).



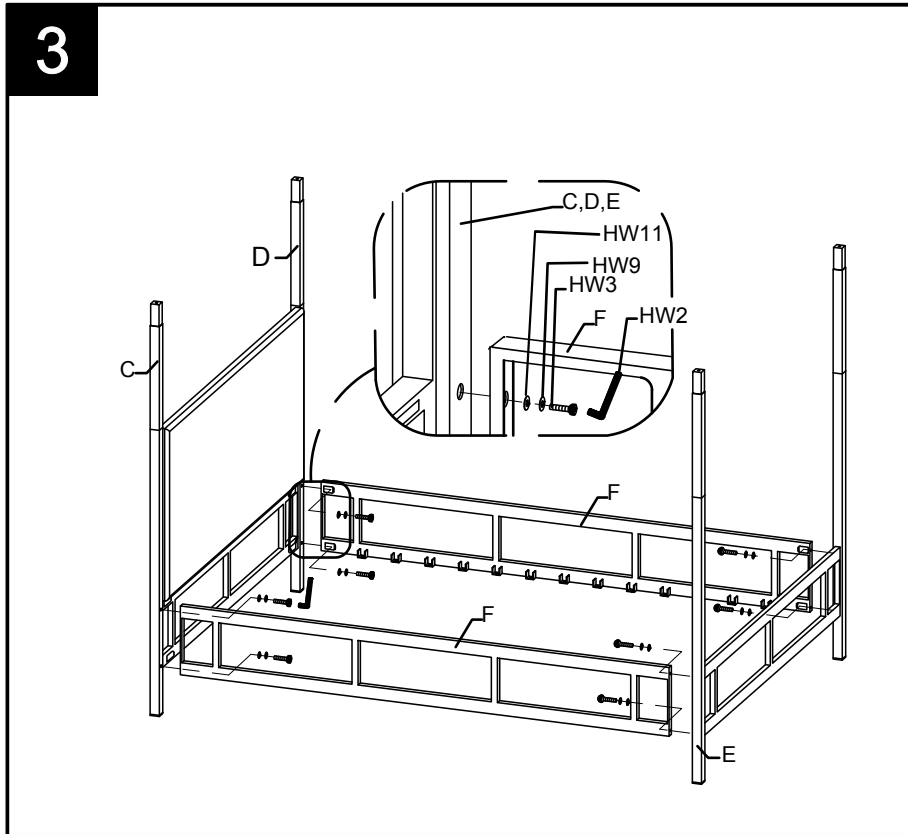
Step 2

Assemble acrylic bed posts (E) and bed end frame (B) with steel hex bolt (HW3) and washer (HW9) and spring washer (HW11) by use of Allen wrench (HW2).

## PREPARATION

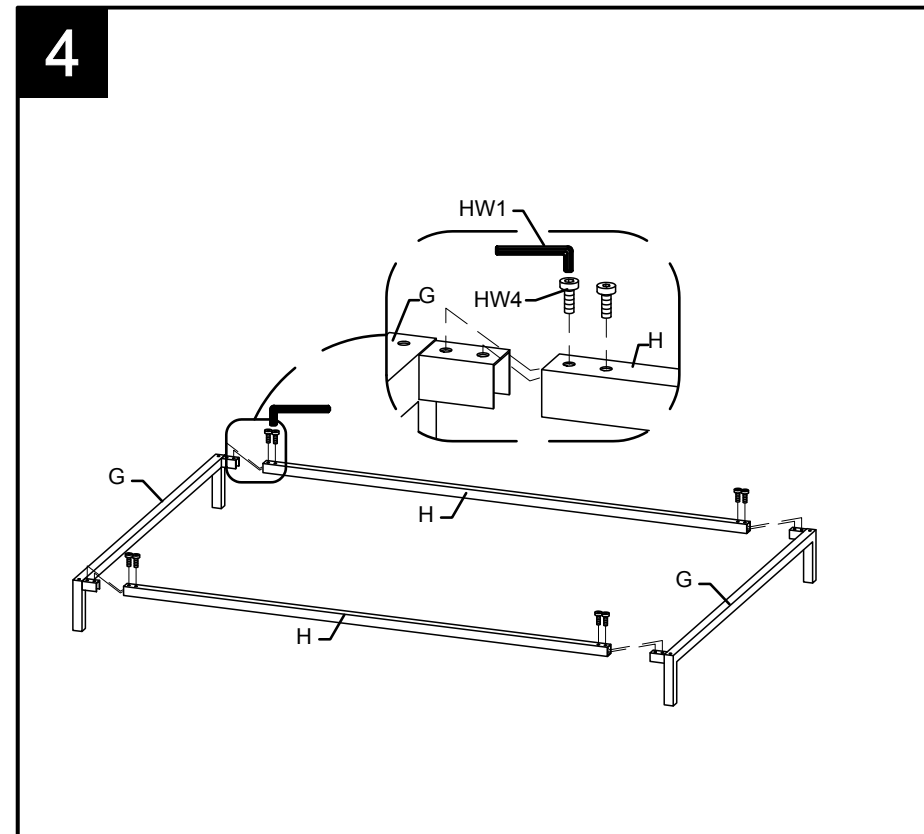
Before beginning assembly of product, make sure all parts are present. Compare parts with package contents list. If any part is missing or damaged, do not attempt to assemble the product.

Estimated Assembly Time: 60 minutes.



Step 3

Assemble long side frame (F) with the sub-assembled headboard and footboard in step 1 and 2 with steel hex bolt (HW3) and washer (HW9) and spring washer (HW11) by use of Allen wrench (HW2) as shown in drawing.



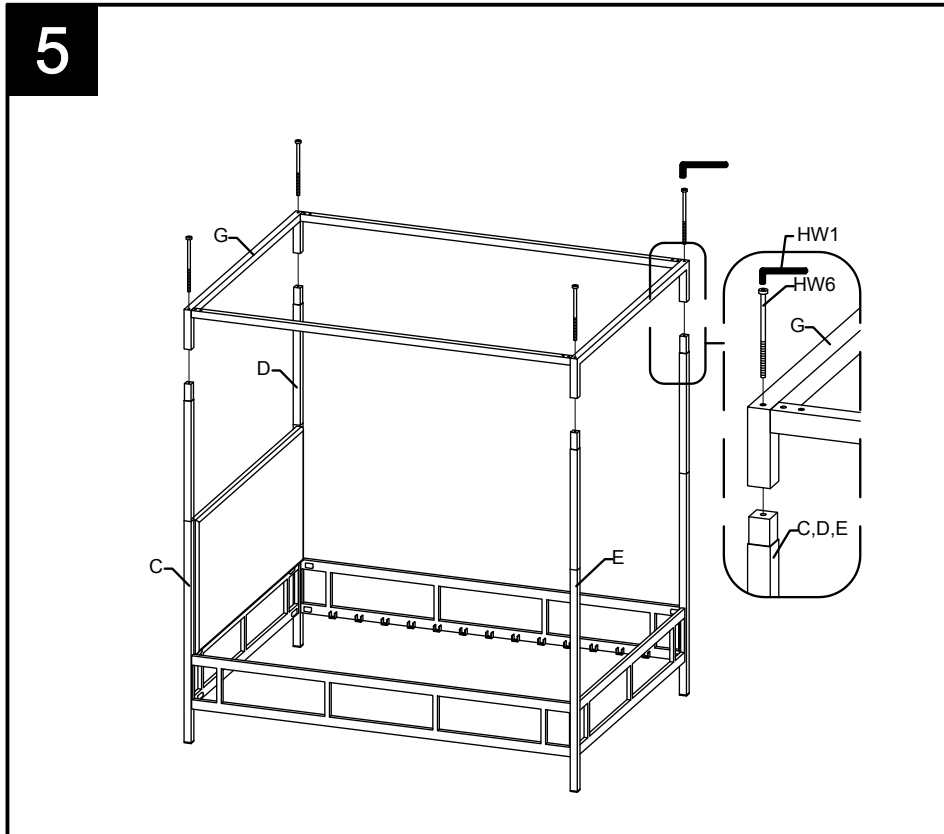
Step 4

Insert long side top frame (H) into the tab of short side top frame (G) and assemble it by joint connector bolt (HW4). Then fasten it up by use of Allen wrench (HW1).  
Now you finish the top frame of the canopy bed.

## PREPARATION

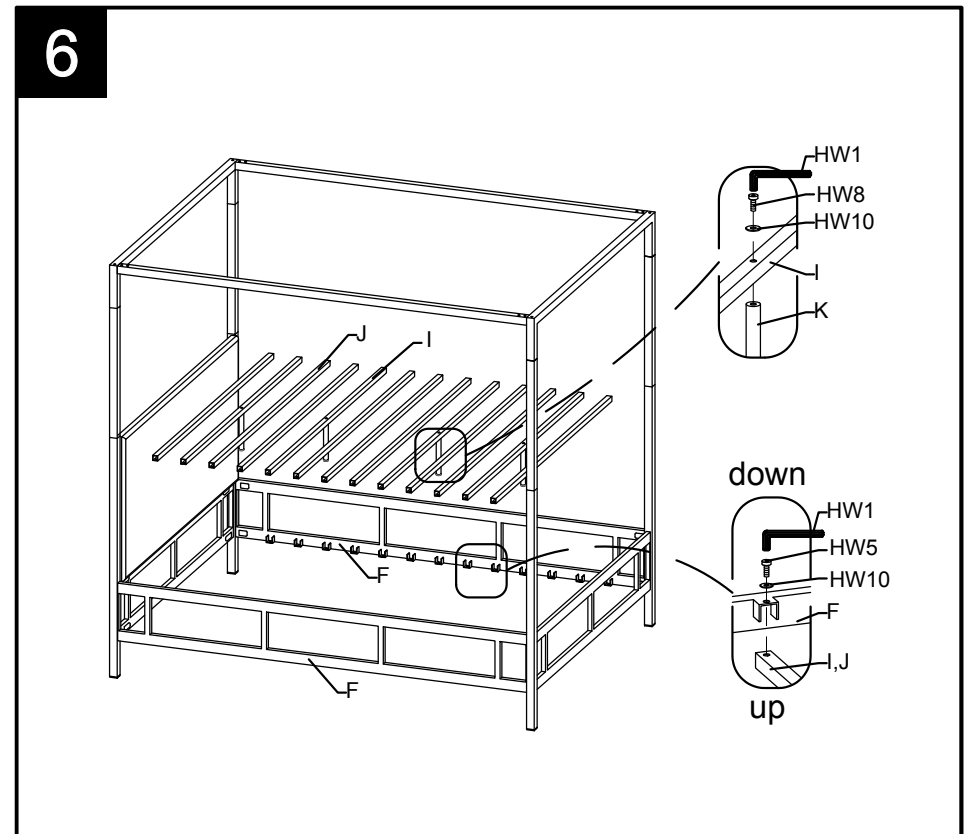
Before beginning assembly of product, make sure all parts are present. Compare parts with package contents list. If any part is missing or damaged, do not attempt to assemble the product.

Estimated Assembly Time: 60 minutes.



Step 5

Assemble the subassembly canopy top frame to four corner bedpost assembled ready in step 3 with socket screw (HW6) and fasten up by use of Allen wrench (HW1) as shown in drawing.



Step 6

Assemble center support leg (K) to cross slat with hole (I) with socket screw (HW8) and washer (HW10) then fastening up by use of Allen wrench (HW1). Insert cross slat (J) and subassembly cross slat with support legs (I, K) to the tab on the long-side frame (F) with joint connector bolt ( HW5 ) and washer (HW10) by use of Allen wrench (HW1).