

Dining Table

Assembly Instructions

Please assemble on soft surface after removing contents as not to scratch or damage stone surface.
Enjoy!

TABLE ASSEMBLY INSTRUCTIONS

Item	Description	Q'ty
A	Bolt 8x90	04
B	Bolt 8x50	08
C	Washer	08
D	Allen Key	02
E	Deco Cap	04
F	Umbrella Plug	01

Table Top

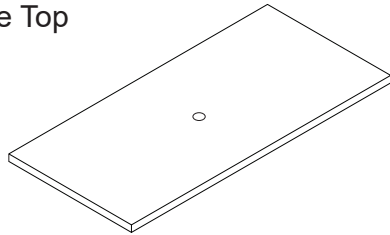
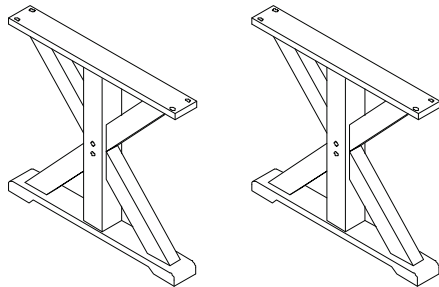
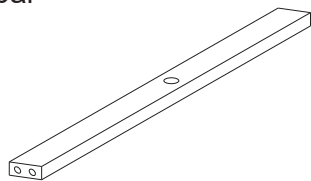


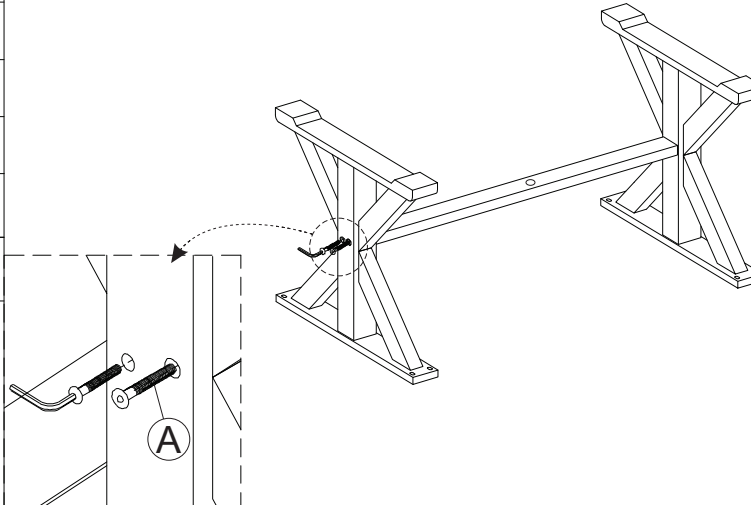
Table Base



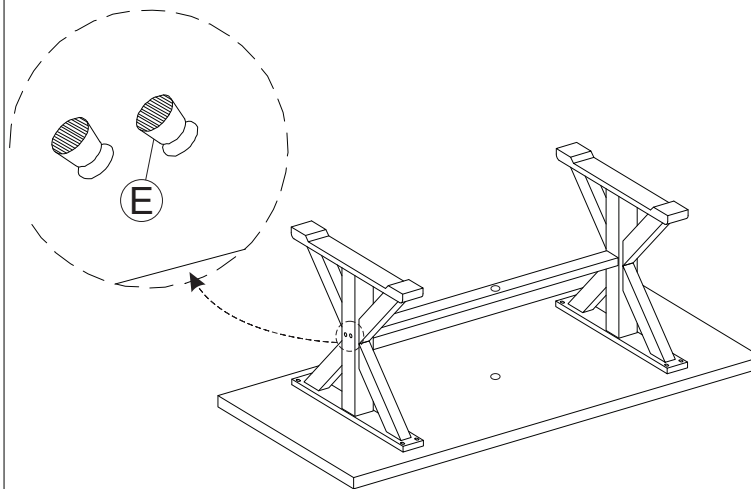
Crossbar



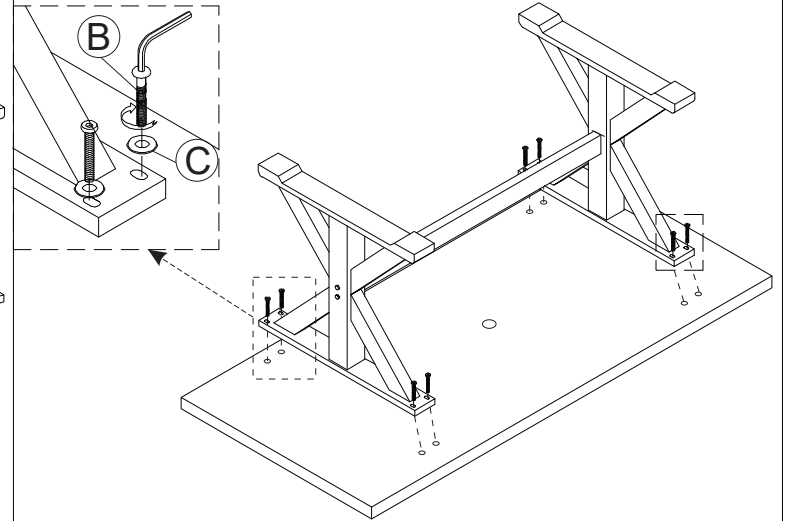
STEP 1 • Assemble two table base leg with crossbar.
• Attach (4) "A" Bolt .



STEP 3 • Place (4) "E" wood deco caps over each hole
TAP GENTLY...



STEP 2 • Place table top on a soft surface as shown.
• Fasten (8) "B" Bolts and (8) "C" washers to table top underside and frame.



STEP 4 • With 2 people carefully stand table upright.

