

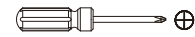
ASSEMBLY INSTRUCTIONS

ASSEMBLY
REQUIREMENTS

2-Person
Assembly

2 Hours
Assembly Time
(Approximate)

Tools Required:
(Not Provided)



Phillips Screwdriver



Flat Screwdriver

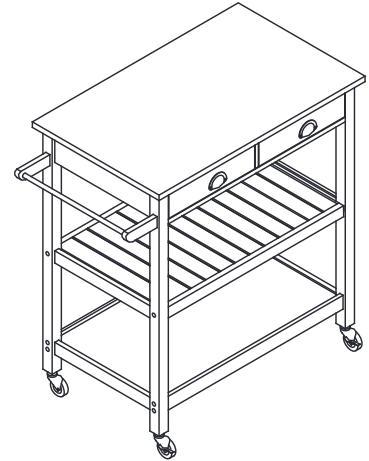
Thank you for purchasing our product!

Please refer and use this assembly instruction to assemble the product. Contact our customer service department in case there are any missing or damage parts or hardware. Replacement parts are normally shipped within 2 or 3 days.

PRODUCTS PURCHASED THROUGH OUR AUTHORIZED VENDORS ONLY ARE ELIGIBLE FOR REPLACEMENT PARTS.

We appreciate your business!

THIS PRODUCT IS FOR INDOOR AND HOUSEHOLD USE ONLY- NOT FOR COMMERCIAL USE.



ASSEMBLY PREPARATION

1. Remove all packaging materials, staples and packing straps from the carton.
2. Refer to Parts List and Hardware List, and ensure parts and hardware are complete before **assembly**.
Contact customer service for missing parts.
3. Place all wooden parts on a clean, flat and soft surface (e.g. carpet or rug) to prevent parts from getting scratched.

SAFETY PRECAUTION

1. KEEP ALL HARDWARE PARTS OUT OF REACH OF CHILDREN.
2. DISPOSE PLASTIC PACKAGING MATERIAL IMMEDIATELY TO AVOID ANY RISK OF SUFFOCATION TO CHILDREN AND ANIMALS.

TIPS FOR ASSEMBLY

1. Allow ample room for assembly and in close proximity to where product will be placed.
2. Assemble the product on a surface that does not scratch or damage the exterior gloss and finish of the furniture.
3. Identify all of the parts, hardware and quantities required for each step.
4. During assembly, do not over-tighten any fittings as this may cause damage.
5. **DO NOT USE POWER TOOLS TO ASSEMBLE THIS PRODUCT.**
6. Always place the product on a flat, level surface.
7. Do not sit or stand on the partially assembled product; only use the product for which it is intended.

CARE AND MAINTENANCE

- Use a slightly damp cloth to clean the product. Do not use bleach or abrasive cleaning material.
- Check all the fittings periodically and re-tighten as necessary. Do not use the product if any of the parts is damaged or broken.
- Never allow any kind of liquid to remain on your furniture. Absorption can cause wood to warp or delaminate.
- Do not place hot items (e.g. hot drinks) directly onto the wood surface.
- Do not drag and/or pull the furniture.

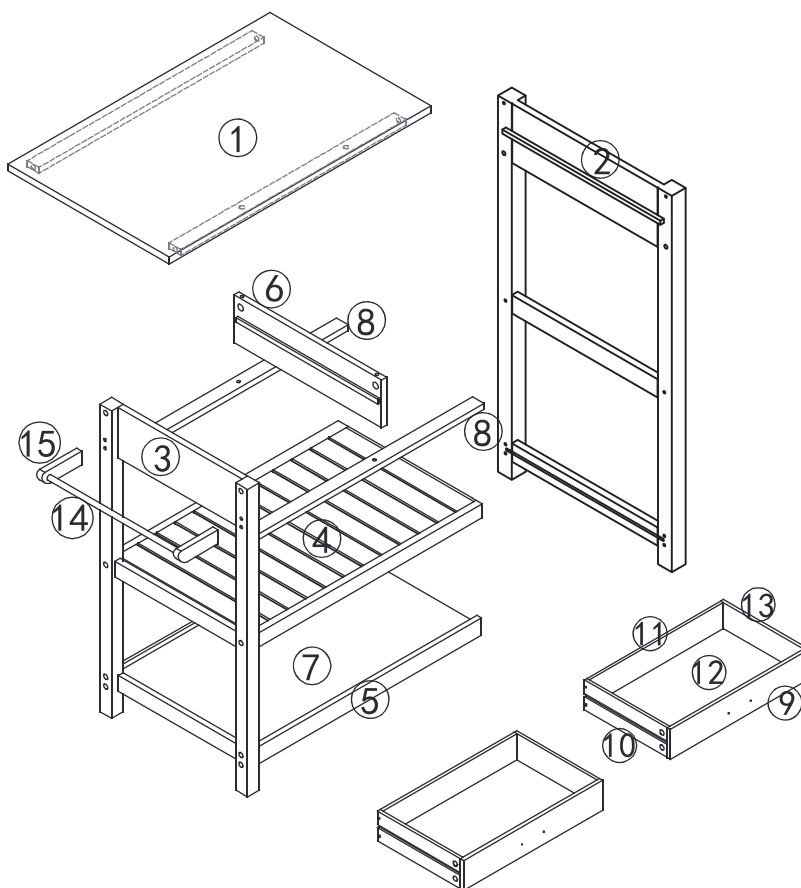
ASSEMBLY INSTRUCTIONS

PARTS LIST

Part #	Part Name	Qty
(1)	Top Panel	1
(2)	Right Frame	1
(3)	Left Frame	1
(4)	Tray	1
(5)	Bottom Rail	2
(6)	Top Middle Panel	1
(7)	Bottom Panel	1
(8)	Top Rail	2
(9)	Drawer Front Panel	2
(10)	Drawer Left Panel	2
(11)	Drawer Back Panel	2
(12)	Drawer Bottom Panel	2
(13)	Drawer Right Panel	2
(14)	Towel Rod	1
(15)	Rod Holder	2

ASSEMBLY INSTRUCTIONS

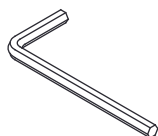
PARTS ASSEMBLY OVERVIEW



HARDWARE LIST



Ax20PCS
Screw
M5x50mm



Bx1PC
Allen Key



Cx6PCS
Wood Dowel
M6x30mm



Dx10PCS
Cam-bolt



Ex10PCS
Cam-lock



Fx2PCS
Screw
M4x35mm



Gx8PCS
Screw
M4x30mm



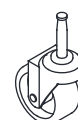
Hx4PCS
Screw
M3x14mm



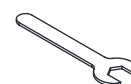
Ix2PCS
Handle



Jx2PCS
Swivel Caster
with Brake



Kx2PCS
Swivel Caster



Lx1PCS
Wrench

ASSEMBLY INSTRUCTIONS

Instructions For Fastening CAM-BOLT and CAM-LOCK



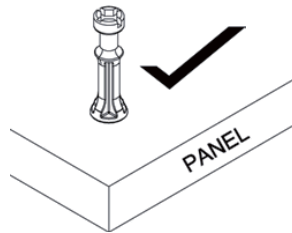
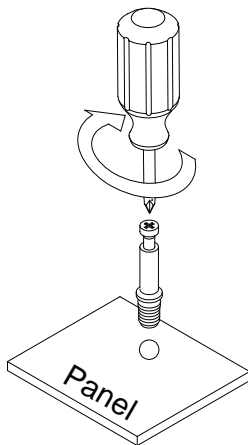
CAM-BOLT



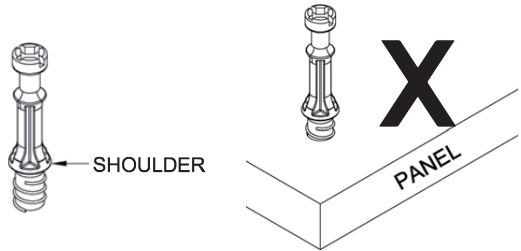
CAM-LOCK

CAM-BOLT

Place Cam-bolt on the designated pre-drilled hole on the panel. Use a Phillips Screwdriver to screw in Cam-bolt vertically until shoulder is snug and flushed with panel. Do not over-tighten or under-tighten Cam-bolt. See illustrations below.



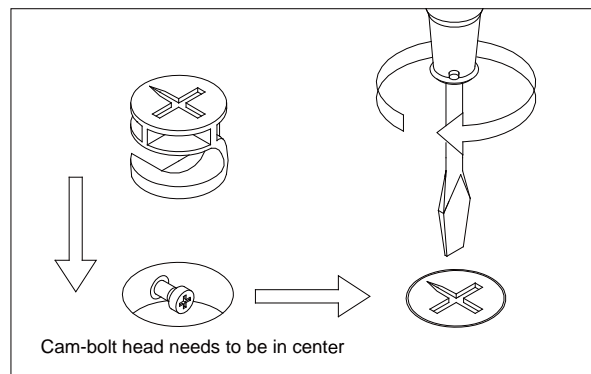
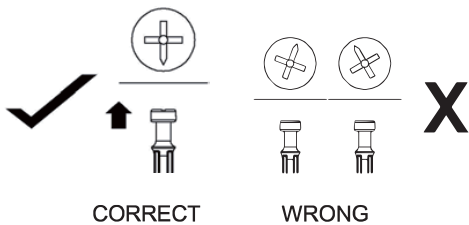
Shoulder is flushed
(on the same level)
with the panel.



Shoulder is
above the panel.

CAM-LOCK

Align the arrow on the Cam-lock to the Cam-bolt head and insert the Cam-lock.

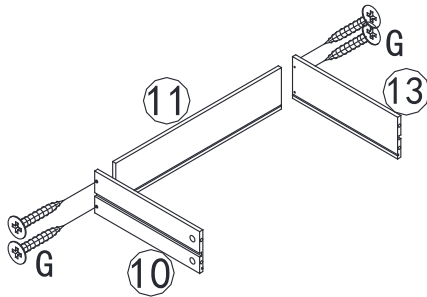


Use a Flat-head Screwdriver to turn Cam-lock clockwise to lock onto the head of the Cam-bolt. Turn until it is snug (about one half a turn) -- over-tightening could damage Cam-lock or/and Cam-bolt.

ASSEMBLY INSTRUCTIONS

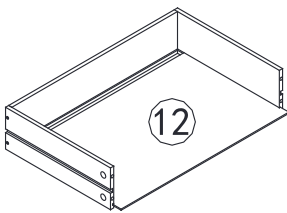
STEP 1 - Assemble 2 Drawers

Step 1a



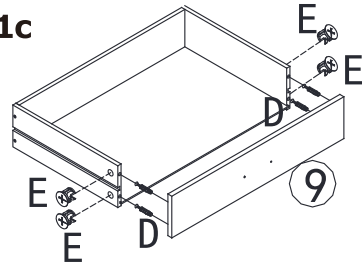
Attach Drawer Left & Right Panels (10 & 13) to Drawer Back Panel (11) as shown (note: the groove on each panel is at the bottom.) Use Phillips Screwdriver to drive Screw (G) to fasten side panels to back panel. Do not tighten screws completely until both screws are in place on each panel.

Step 1b



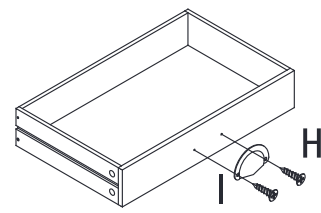
Fit Drawer Bottom Panel (12) by inserting the edge of (12) into the groove on Drawer Side and Back Panels.

Step 1c



Place Drawer Front Panel (9) with interior side facing up on a material that does not scratch its exterior surface. Screw in Cam-bolt (D) into designated holes on (9). Refer to Page 4 for instructions on fastening Cam-bolt and Cam-lock. Attach (9) to Side Panels via Cam-bolts. Check that Bottom Panel fits into groove on (9). Insert Cam-lock into designated holes on (10 & 13) and turn clockwise to lock onto Cam-bolts.

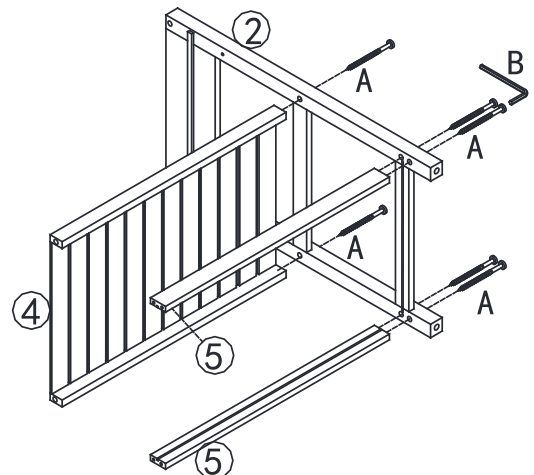
Step 1d



Affix Handle (I) to Drawer Front Panel with Screw (I). Use Phillips Screwdriver to drive (H).

STEP 2

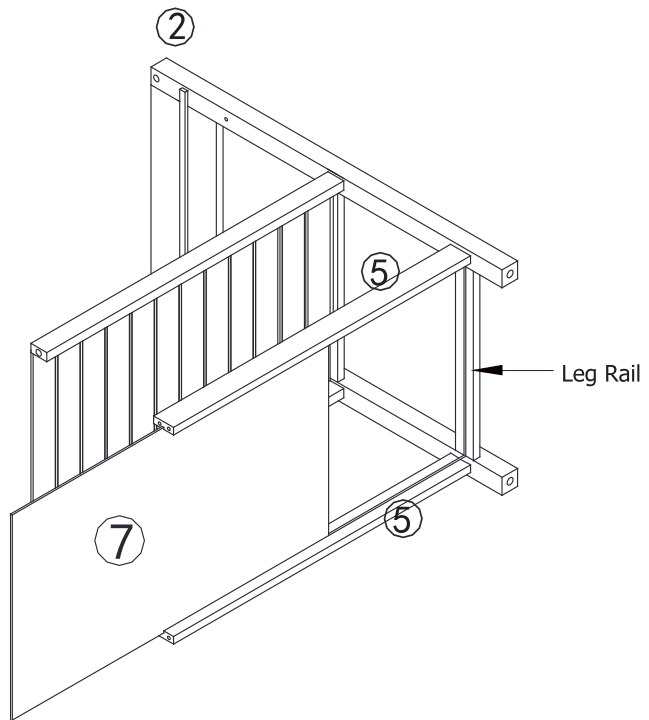
- Position Right Frame (2) and Tray (4) as shown and align the screw hole at the right edge of (4) to the 2 screw holes at the middle of the (A). Use Screw (A) to fasten (4) to (A). Use Allen Key (B) to drive (A).
- Position Bottom Rail (5) as shown - note the groove of each rail faces inwards. Align the 2 screw hole at the right edge of (5) to the 2 screw holes on (2). Use Screw (A) to fasten (5) to (A). Use Allen Key (B) to drive (A). Do not tighten the screws completely until all of the screws are in place.



ASSEMBLY INSTRUCTIONS

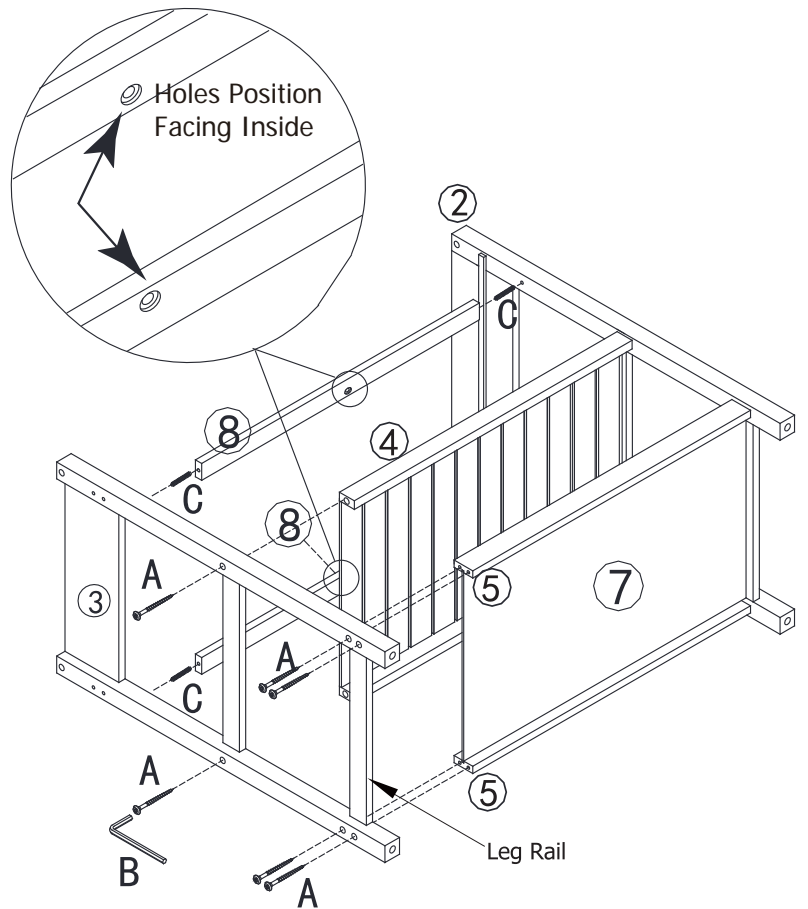
STEP 3

Install Bottom Panel (7) by inserting the long edge of (7) into the groove on Bottom Rail (5) and Leg Rail of (2).



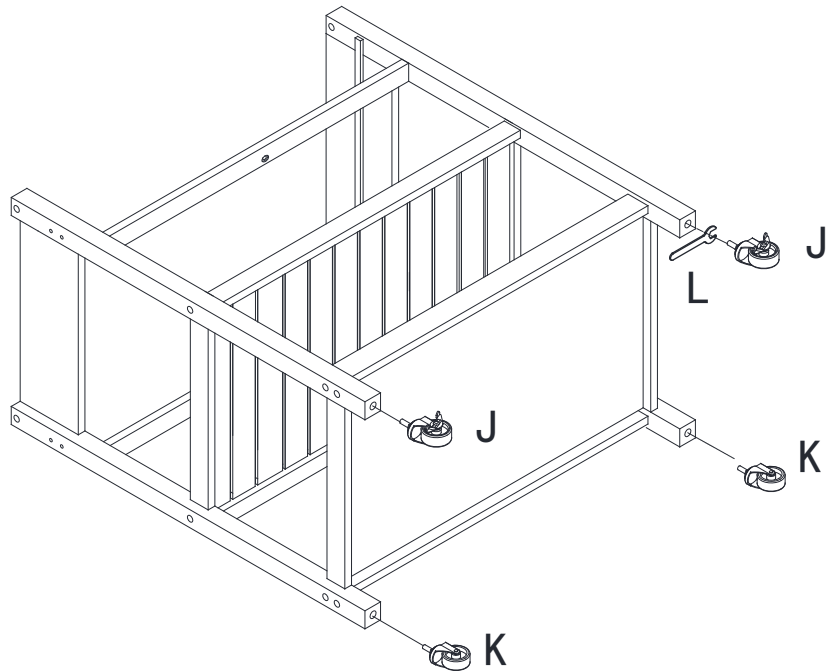
STEP 4

- Insert a Wood Dowel (C) into the hole on one end of Top Rail (8) and attach it to (2). Next, fit another Wood Dowel (C) into the other end of (8).
- Position Right Frame (3) as shown. Attach (8) to (3) via Wood Dowel (C) and align the screw holes on (8), (4) & (5) to the respective screw holes on (3). Use Screw (A) to fasten (4) and (5) to (3). Check that Bottom Panel (7) fits into the groove on the Leg Rail of (3). Use Allen Key (B) to drive (A). Do not tighten the screws completely until all of the screws are in place.



ASSEMBLY INSTRUCTIONS

STEP 5



Screw in Swivel Casters with Brakes(J) and Swivel Casters (K) into the bottom of the designated legs as shown. And use Wrench (L) to affix Caster with Brake (J) and Caster (K) to legs.

STEP 6

Step 6a

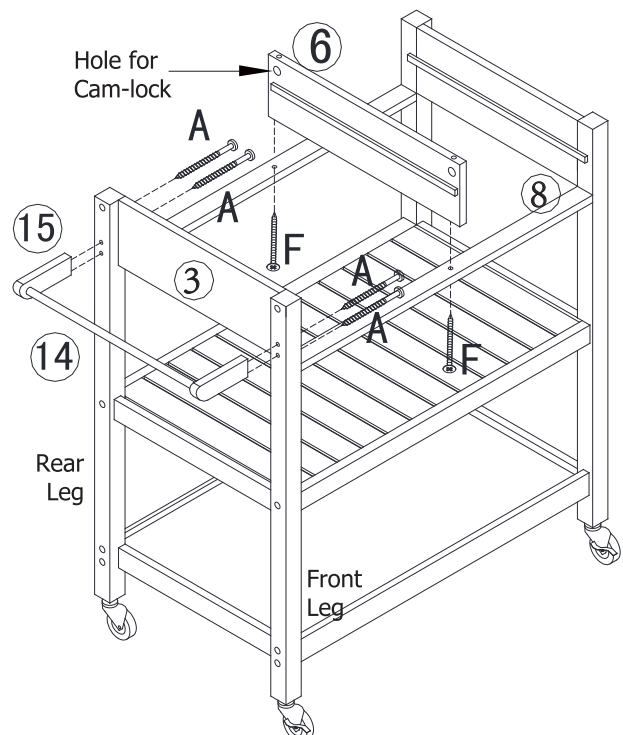
Position the assembly from STEP 5 upright. Place Top Middle Panel (6) in the middle of Upper Rails (8) as shown (note: the hole for Cam-lock is on the top edge of (6)).

Use Screw (F) - inserted from the bottom of (8) - to fasten (6) to (8). Use Phillips Screwdriver to drive (F).

Step 6b

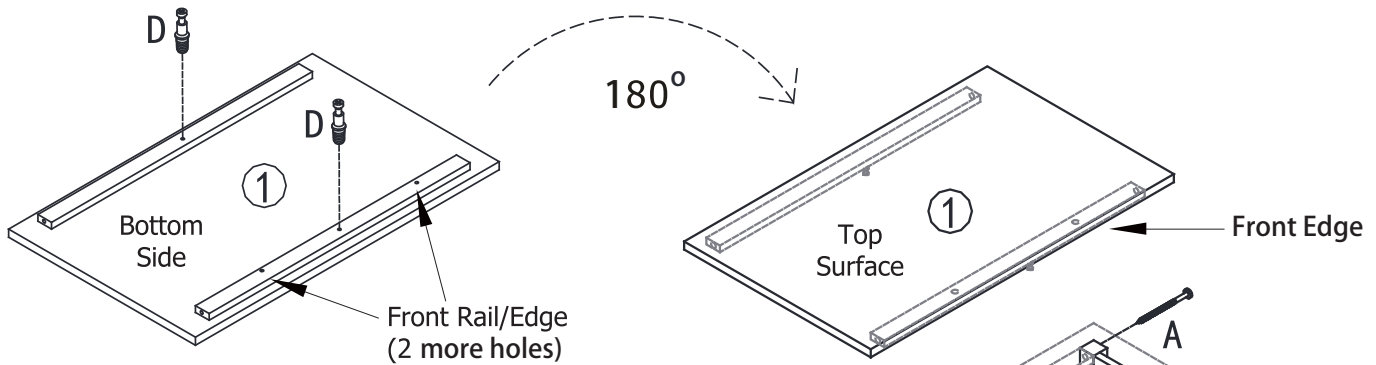
Loosely attach Rod Holder (15) to the Rear Leg and Front Leg of Left Frame (3) using Screw (A). Use Allen Key (B) to drive (A). Do not tighten (A) at this time.

Next, fit Towel Rod (14) between the loosely attached Rod Holder. Hold Towel Rod in place and tighten all 4 Screws (A) completely to hold the Rod Holder.



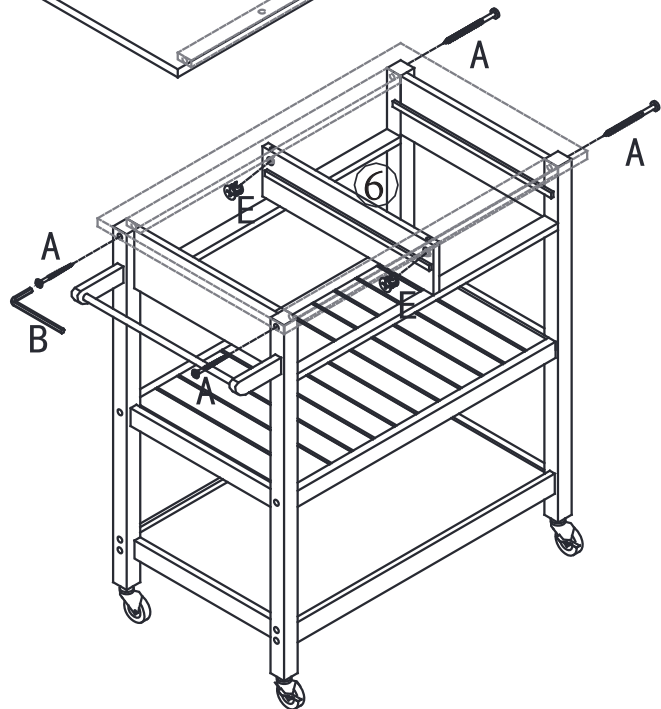
ASSEMBLY INSTRUCTIONS

STEP 7



Step 7a

Place Top Panel (1) with bottom-side facing up, as shown, on a material that does not scratch its exterior surface. Use Phillips Screwdriver to screw in Cam-bolt (D) into designated holes on (1).



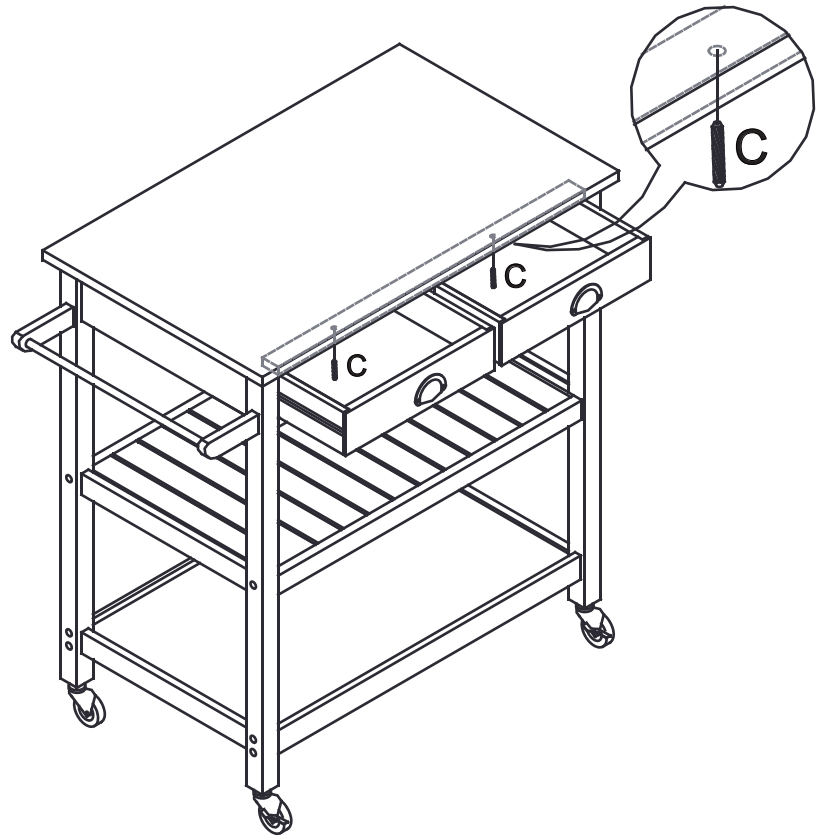
Step 7b

- Position Top Panel (1) right-side up as shown. Ensure the orientation (front edge) of (1) is correct.
- Fit the rails on the bottom-side of (1) between the Leg Frames and at the same insert the Cam-bolts into the designated holes on the top edge of Top Middle Panel (6).
- Use Allen Key (B) to drive Screws (A) to fasten (1) to Left and Right Frames. Do not tighten the screws completely until all 4 screws are in place.
- Insert Cam-lock (E) into designated holes on (6). Use Flat Screwdriver to turn Cam-lock clockwise to lock onto Cam-bolts.

ASSEMBLY INSTRUCTIONS

STEP 8

- a) Insert Drawers.
To insert drawer, align the groove on each Drawer Side Panel to the runner on the Left/Right and Middle Panel of the Cart. Push in Drawer squarely to allow the groove to slide through the runner evenly.
- b) Insert Wood Dowel (C) into the designated holes on the rail under the Top Panel.



The assembly of the kitchen cart is complete.

