


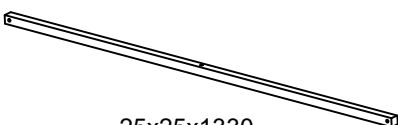
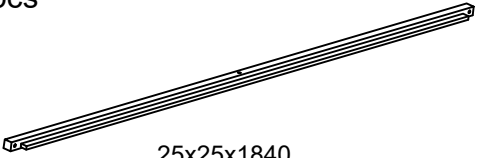
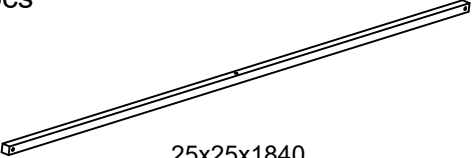

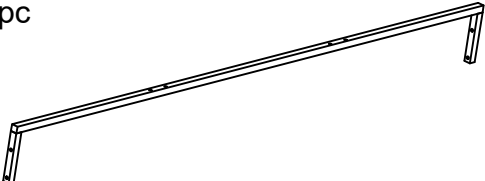
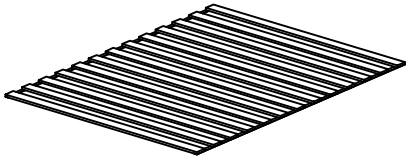
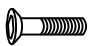
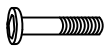
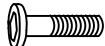


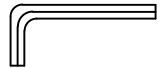
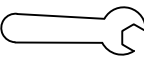

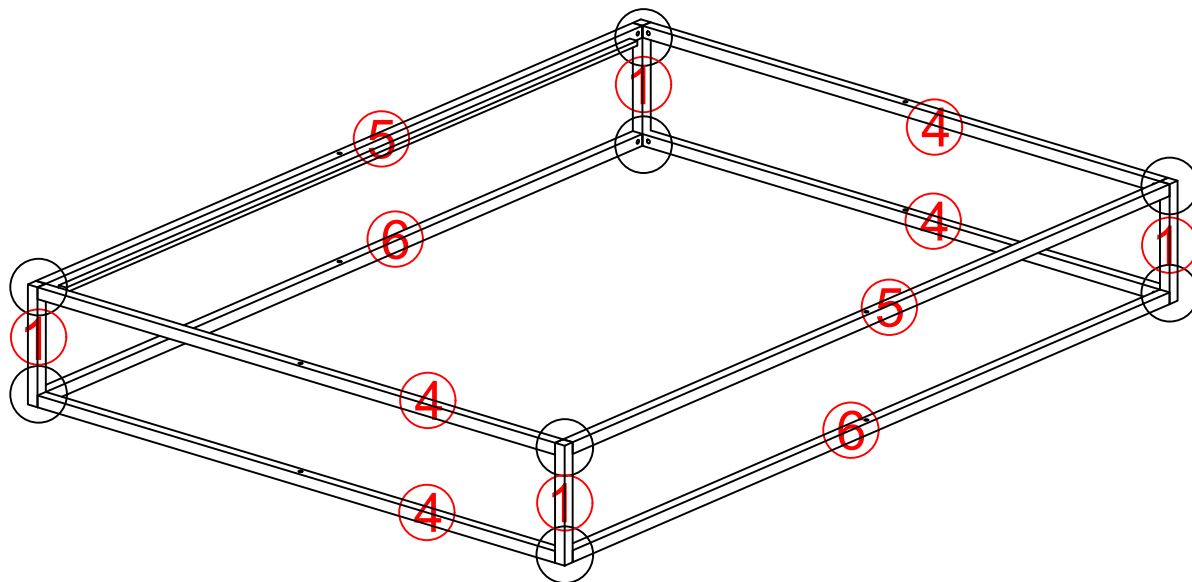
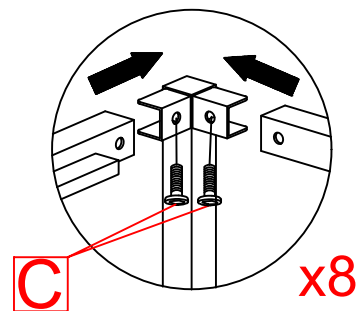



Note:

1. When receiving the goods, please confirm the product according to the listing of instructions. Once you find Less pieces, please provide relevant pictures to contact US. We will deal it in the time.
2. Please install goods with the instruction manua.
3. It is recommended that the installation should not be too tight to adjust easily. After the structure is installed, firm the interface for more stability.

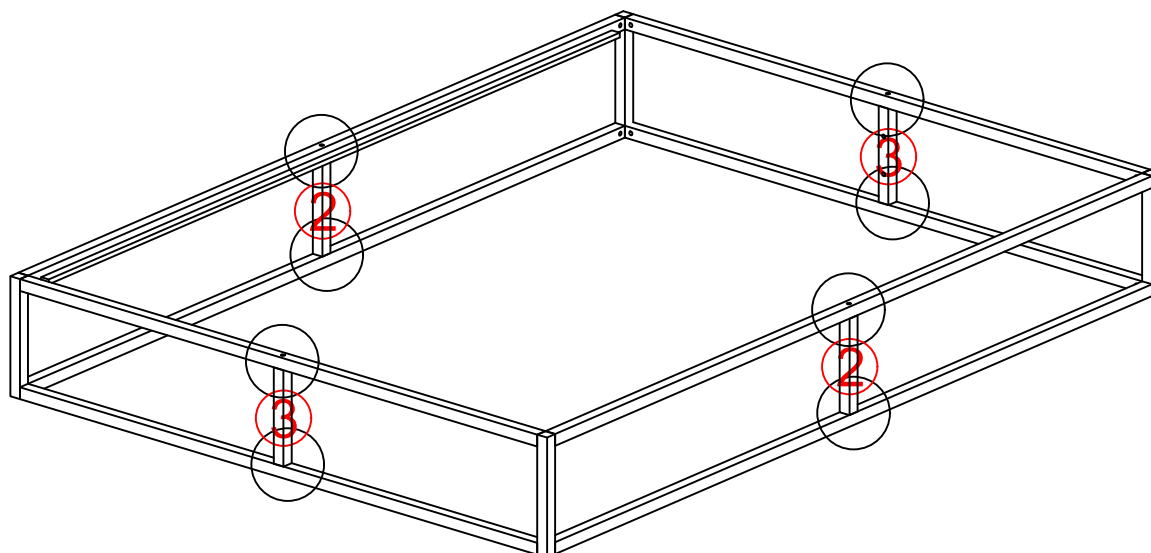
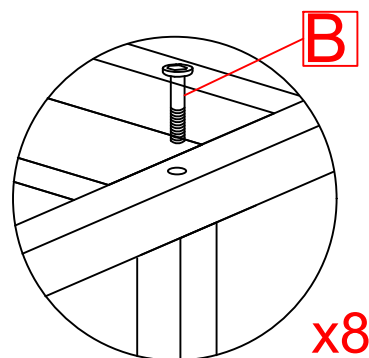
<p>①-4pcs</p> 	<p>②-2pcs</p> 	<p>③-2pcs</p> 	<p>④-4pcs</p>  <p>25x25x1330</p>	
<p>⑤-2pcs</p>  <p>25x25x1840</p>	<p>⑥-2pcs</p>  <p>25x25x1840</p>	<p>⑦-2pcs</p> 		
<p>⑧-1pc</p> 	<p>⑨-1pc</p> 	<p>A-4pcs +1pc M6X30</p> 		
<p>B-12pcs +2pcs M6X40</p> 	<p>C-16pcs +2pcs M8X15</p> 	<p>D-4pcs +1pc M6</p> 	<p>E-1pc #4</p> 	<p>F-1pc #5</p> 
<p>G-1pc #4</p> 	<p>H-2pcs</p> 			


step 1



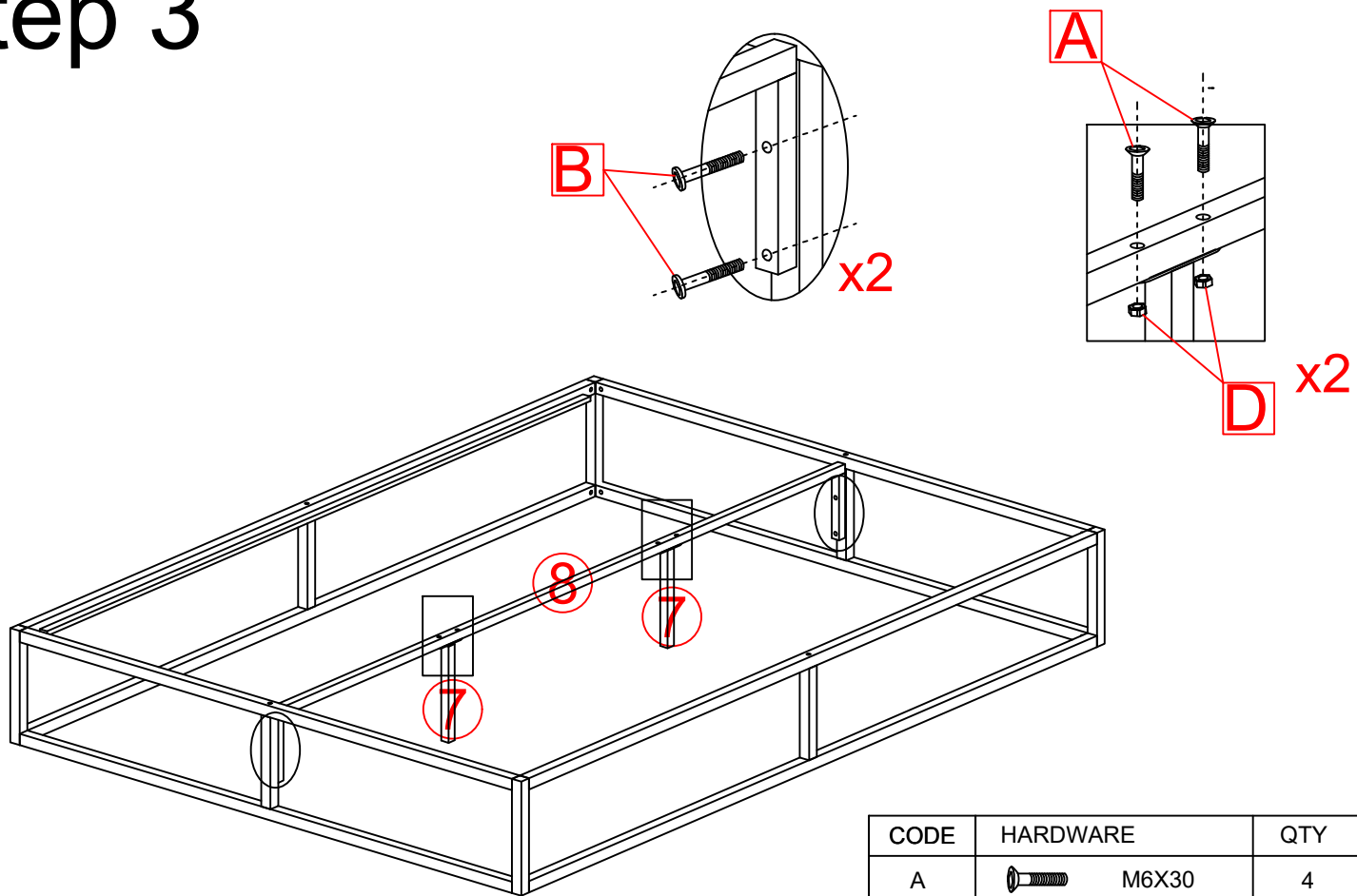
CODE	HARDWARE	QTY
C	 M8X15	16




step 2



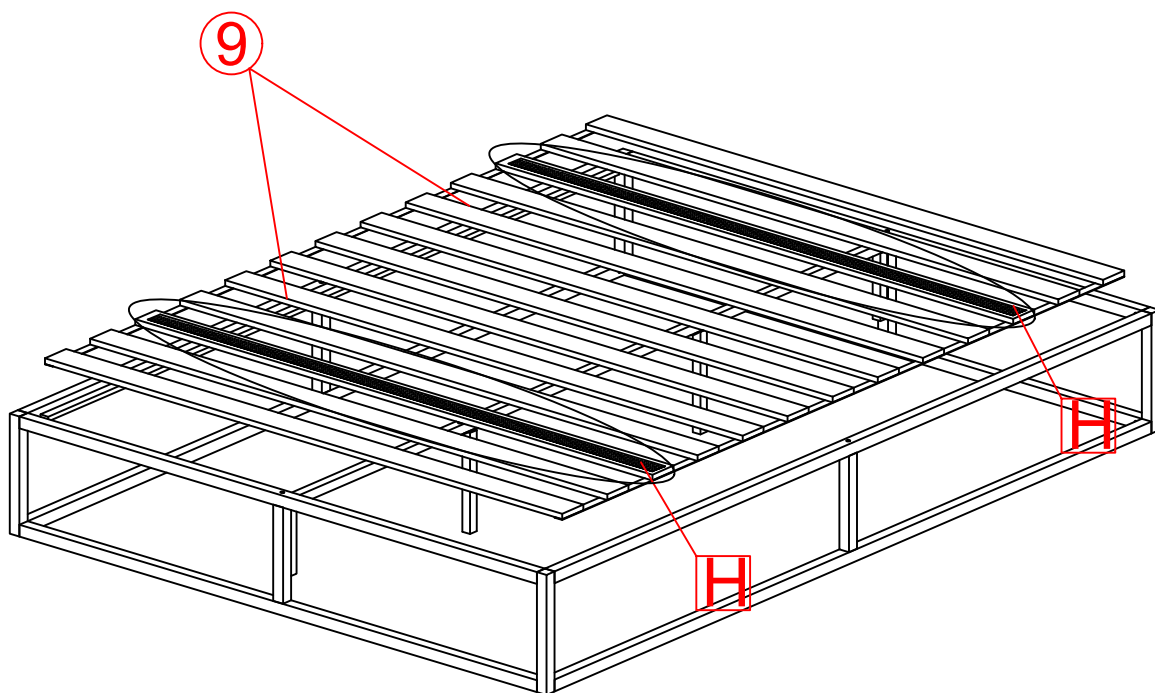
CODE	HARDWARE	QTY
B	 M6X40	8


step 3



CODE	HARDWARE	QTY
A	 M6X30	4
B	 M6X40	4
D	 M6	4

step 4



CODE	HARDWARE	QTY
H		2