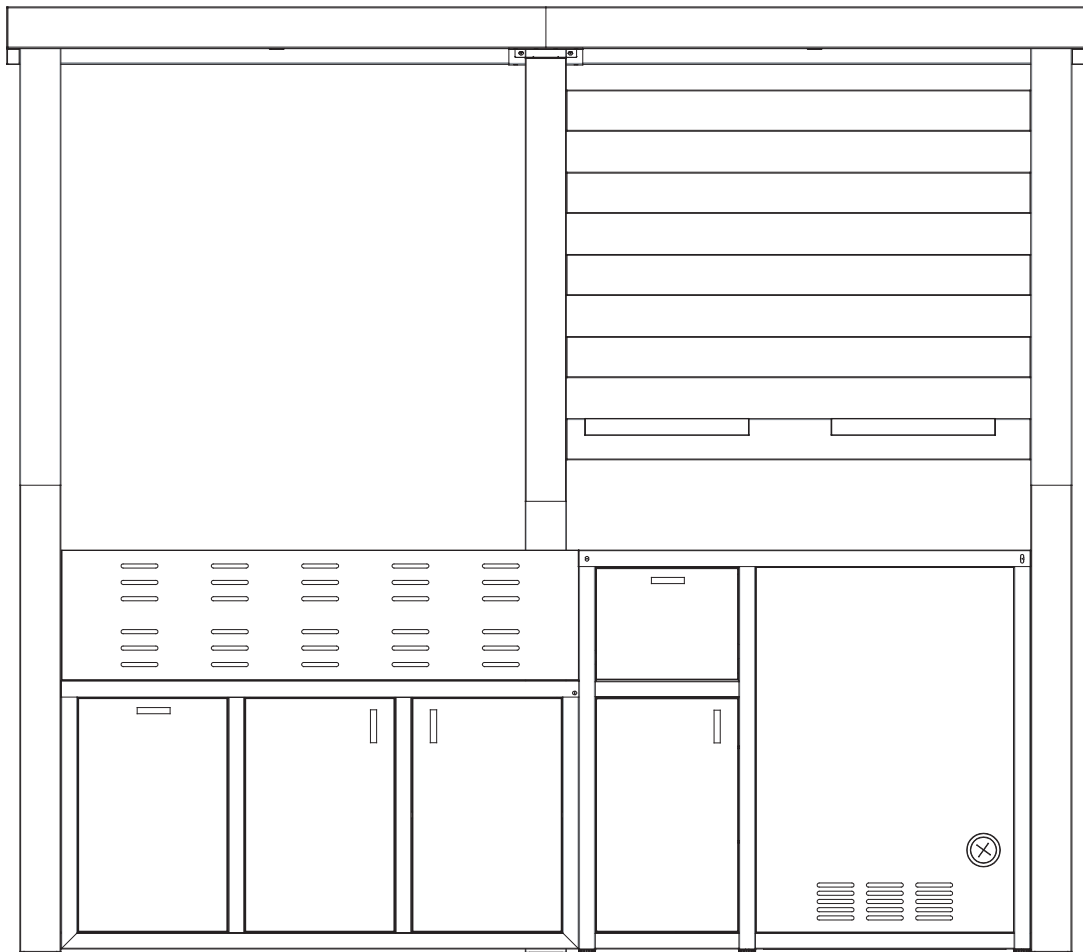


# **INSTALLATION**

## *Product Manual*

Version: 510064-00-26A-YM

# OUTDOOR KITCHEN

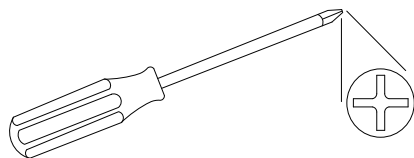


# OWNER'S MANUAL - BASIC SETUP DIMENSIONS & ASSEMBLY NOTES

It is critically important that you start with square and level footings, concrete pad or deck to attach your structure

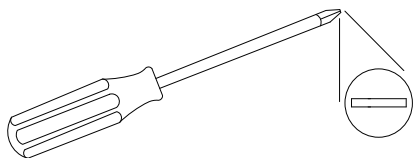
- ☒ Pay close attention to the items needed for each step. Make sure you are using the correct hardware for each step. Using incorrect hardware may result in improper assembly
- ☒ Remember to double check for underground utilities and overhead electrical lines

## TOOLS REQUIRED (NOT INCLUDED)



Phillips screwdriver

## TOOLS REQUIRED (NOT INCLUDED)



Flathead screwdriver

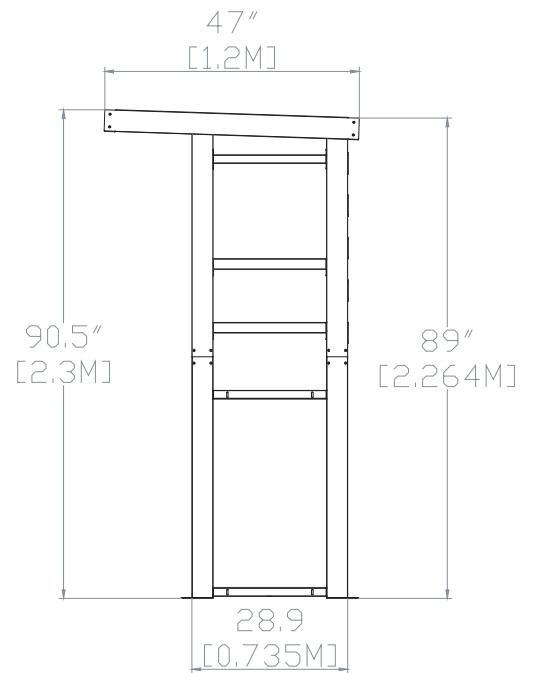
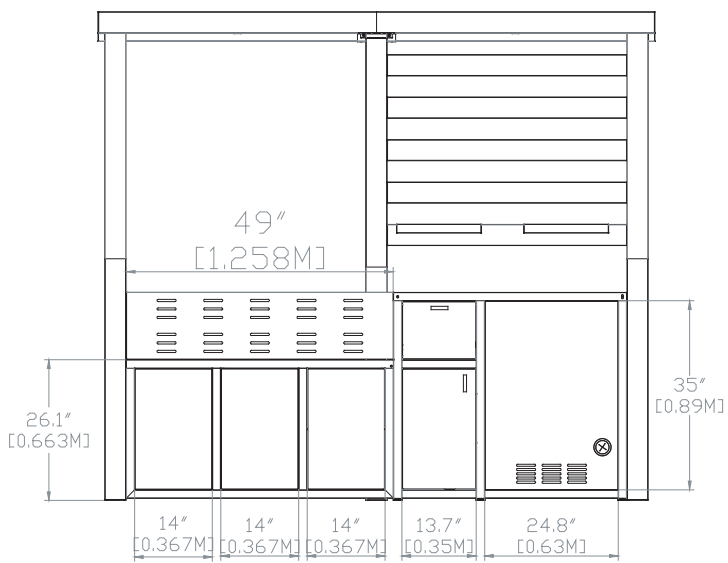
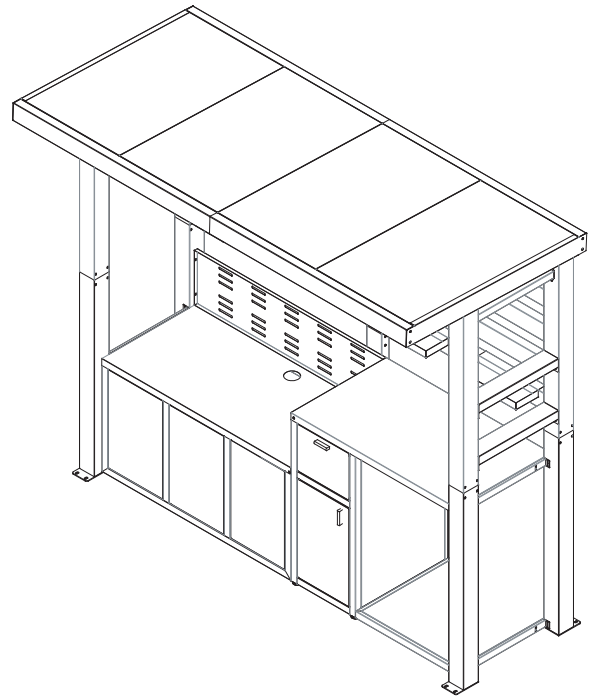
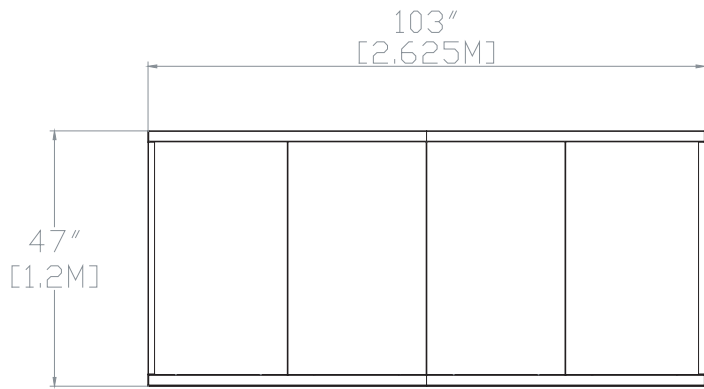
## Matters needing attention

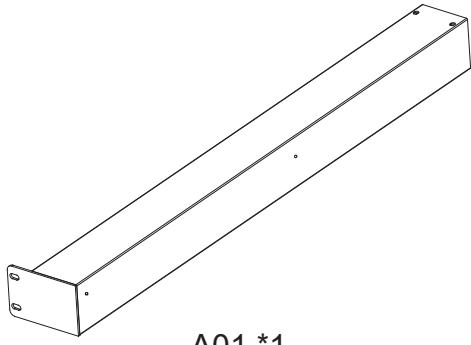


**The installation requires two or more people and takes approximately four hours.**

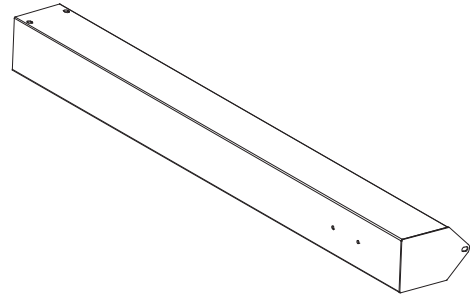


**Do not fully tighten screws prior to complete assembly.**

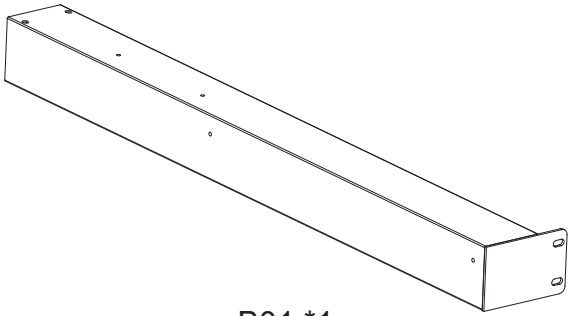




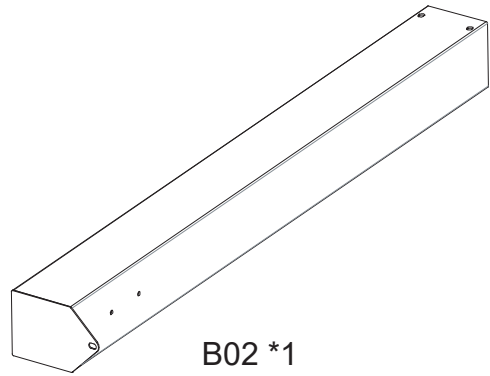
A01 \*1



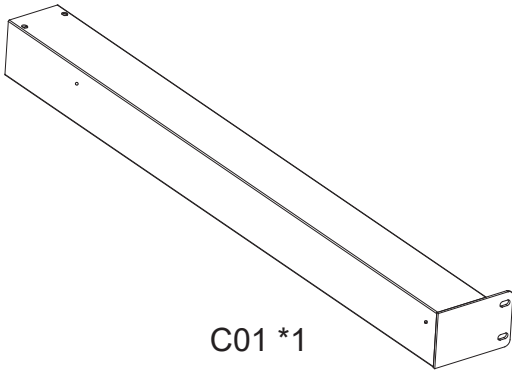
A02 \*1



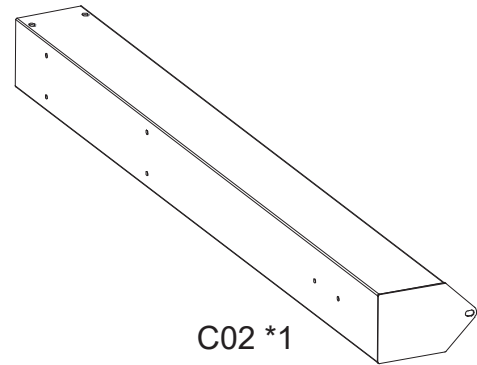
B01 \*1



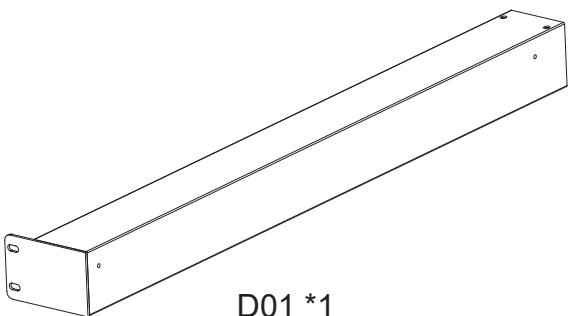
B02 \*1



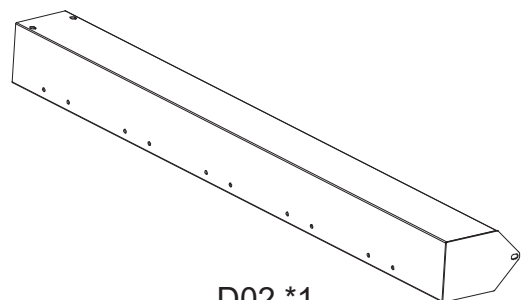
C01 \*1



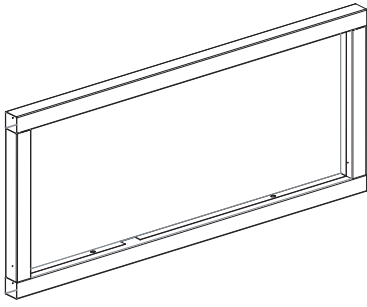
C02 \*1



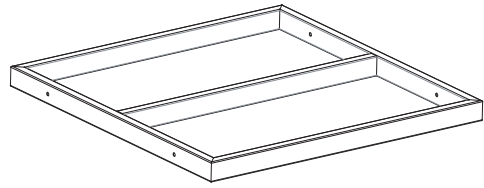
D01 \*1



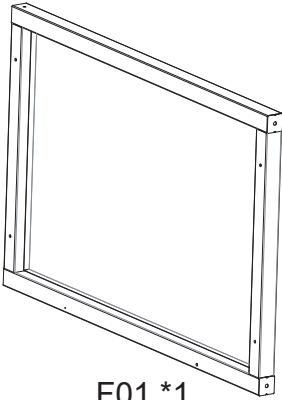
D02 \*1



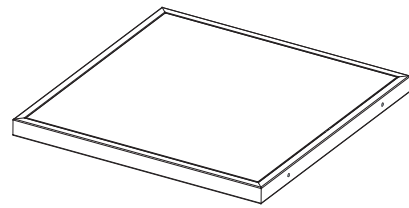
E \*1



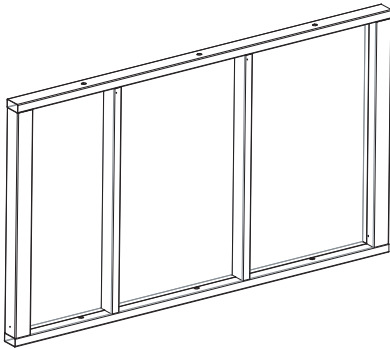
G01 \*1



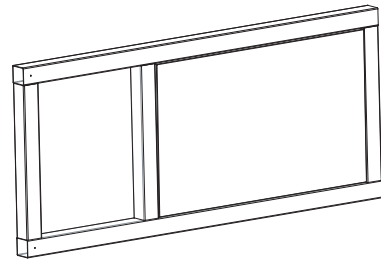
F01 \*1



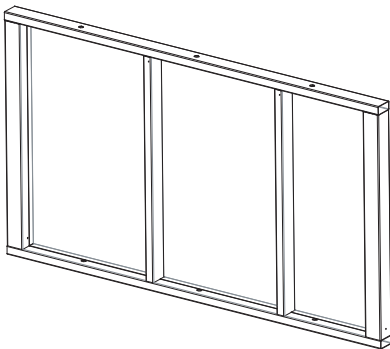
G02 \*1



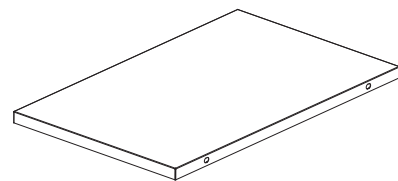
F02 \*1



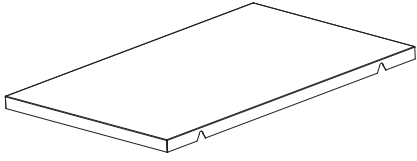
G03 \*1



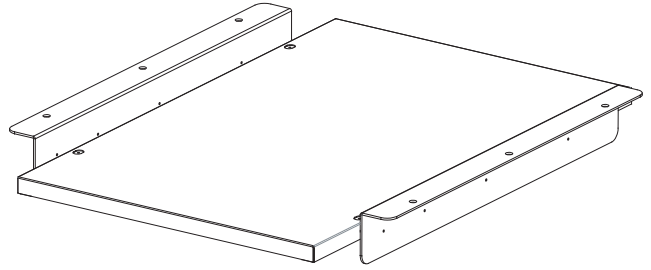
F03 \*1



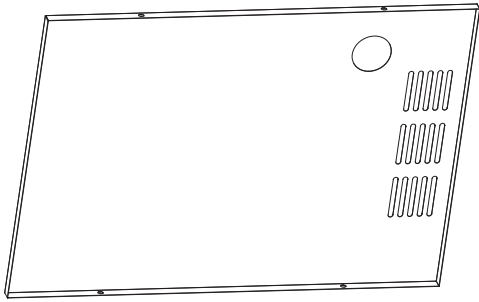
G04 \*1



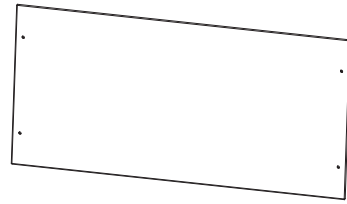
H01 \*1



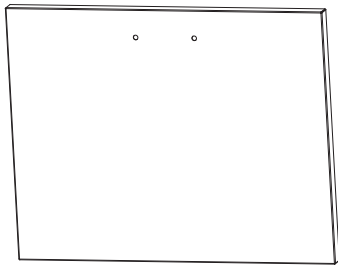
J03 \*1



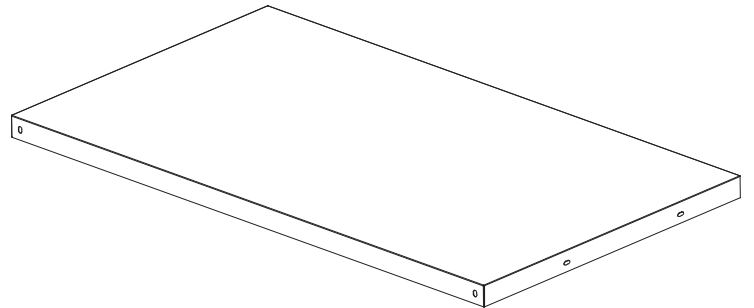
H02 \*1



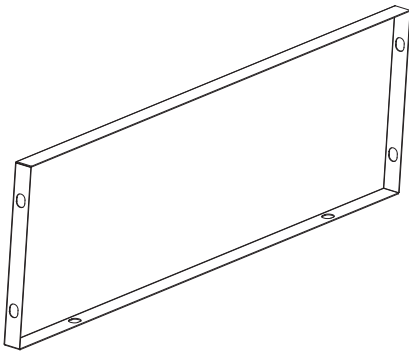
J04 \*1



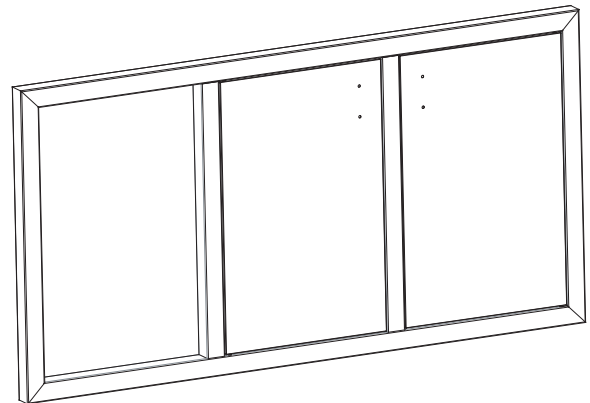
J01 \*1



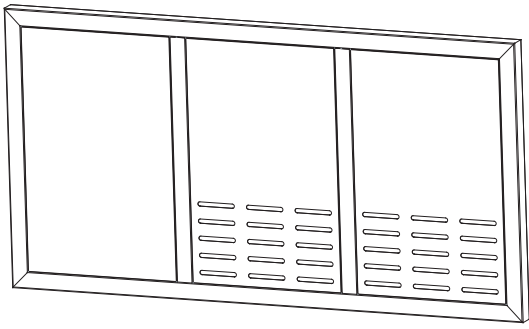
K \*1



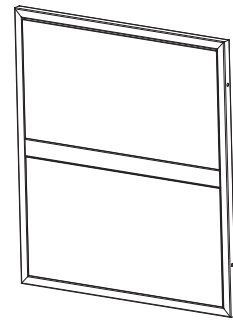
J02 \*2



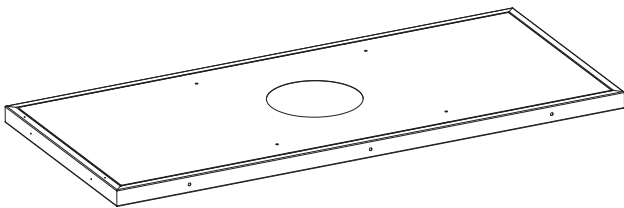
M01 \*1



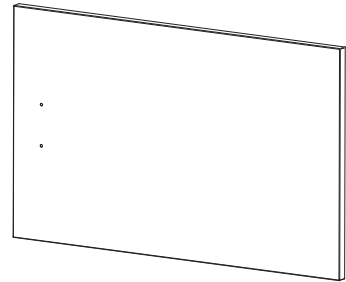
M02 \*1



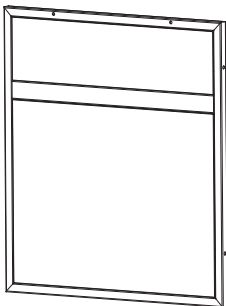
N03 \*1



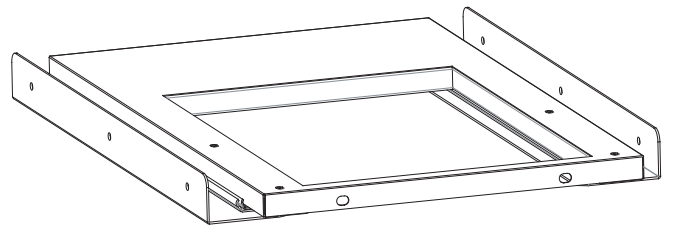
M03 \*1



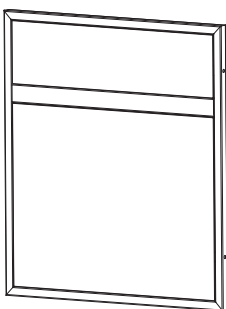
N04 \*1



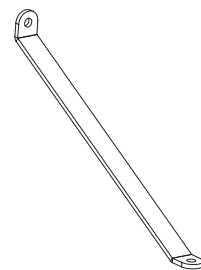
N01 \*1



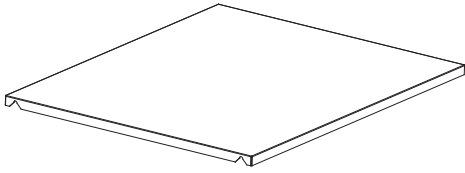
N05 \*1



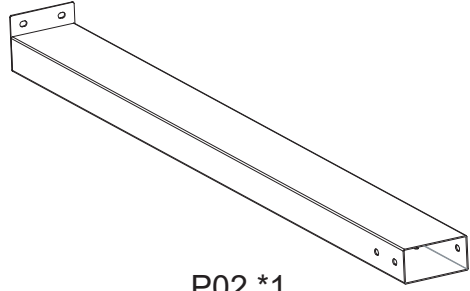
N02 \*1



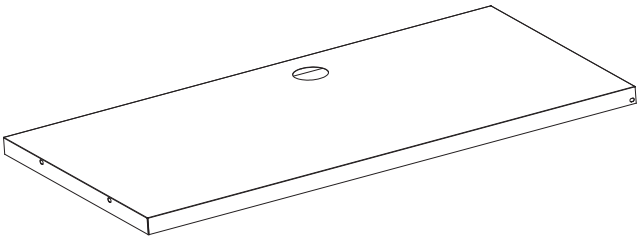
N06 \*2



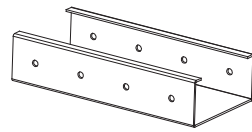
N07 \*1



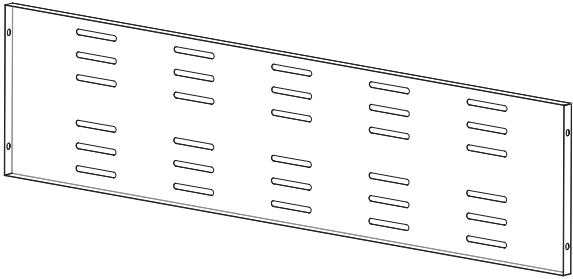
P02 \*1



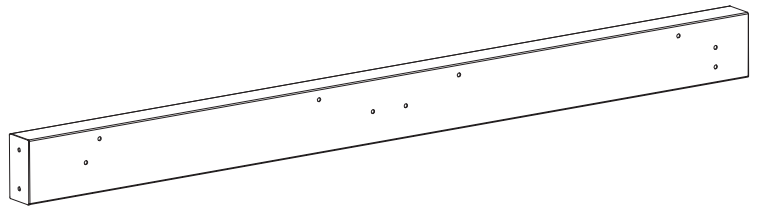
O01 \*1



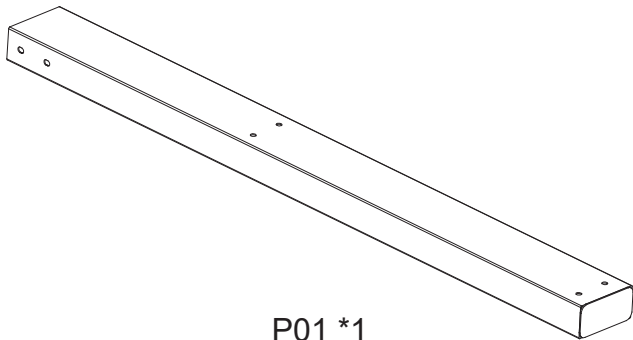
P03 \*1



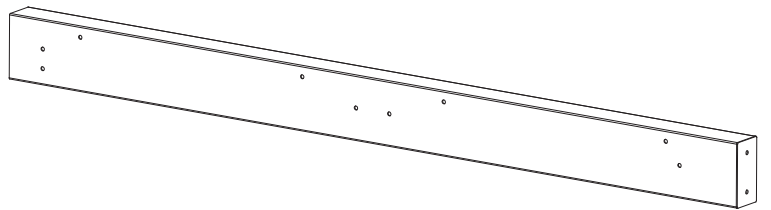
O02 \*1



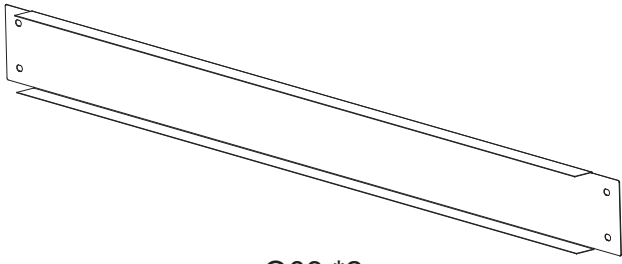
Q01 \*2



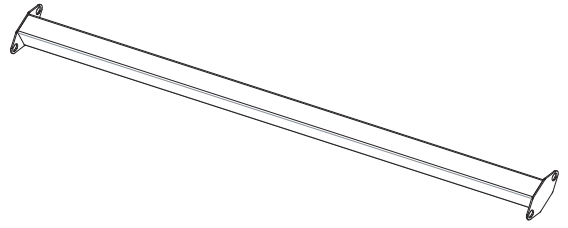
P01 \*1



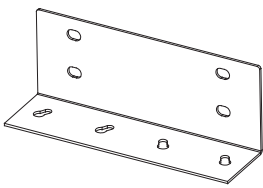
Q02 \*2



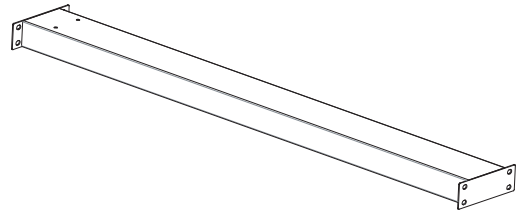
Q03 \*2



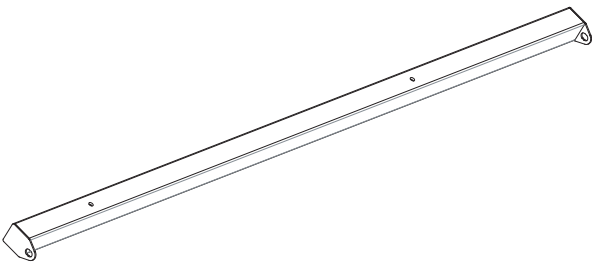
R03 \*2



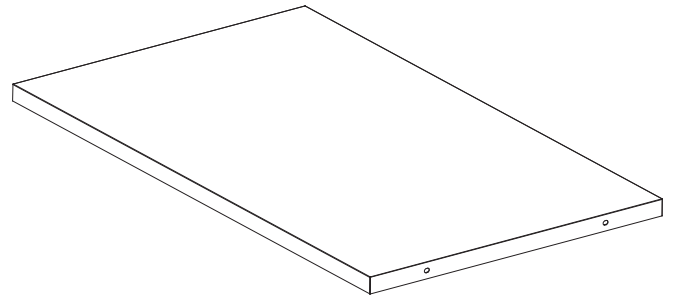
Q04 \*2



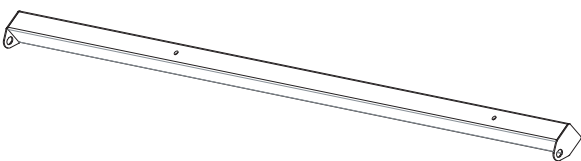
R04 \*1



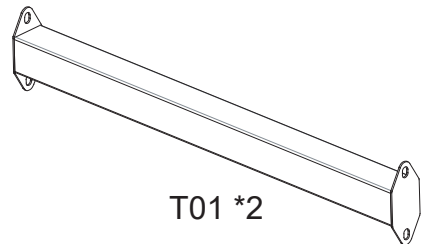
R01 \*1



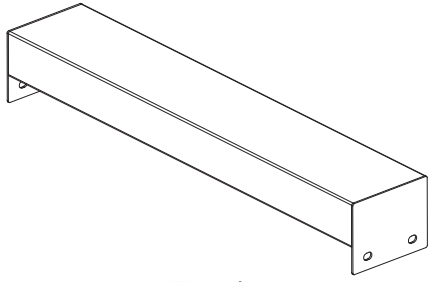
S \*4



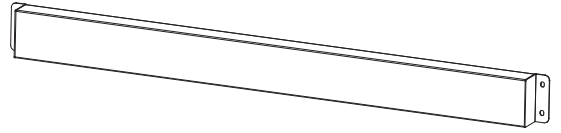
R02 \*1



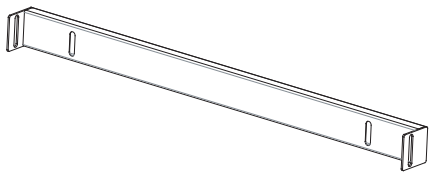
T01 \*2



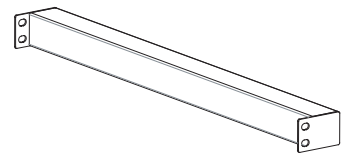
T02 \*2



U \*5



T03 \*4



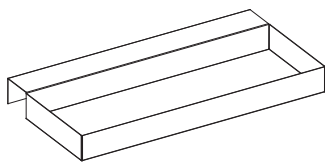
V \*1



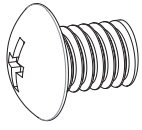
X \*5



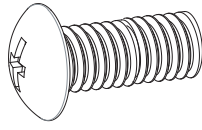
Y \*2



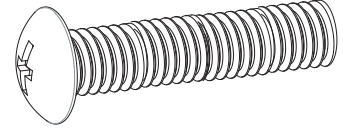
Z \*2



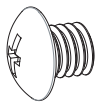
AA: M6\*10\*176



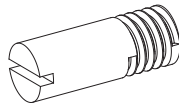
BB: M6\*35\*52



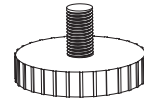
CC: M6\*60\*8



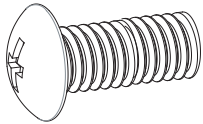
DD: M4\*4\*10



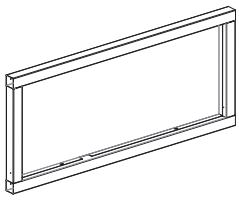
EE \*8



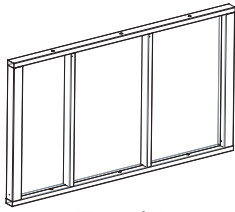
FF \*12



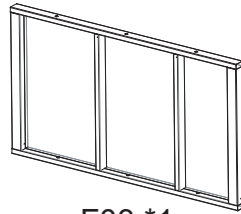
GG: M6\*30\*2



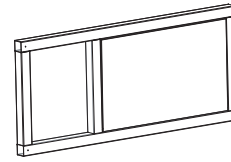
E \*1



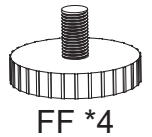
F02 \*1



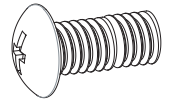
F03 \*1



G03 \*1



FF \*4



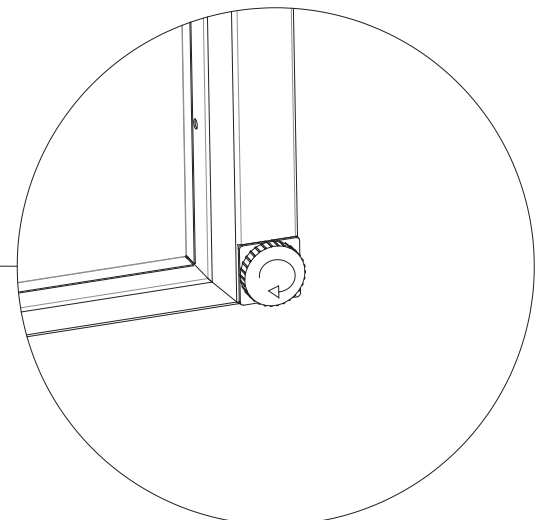
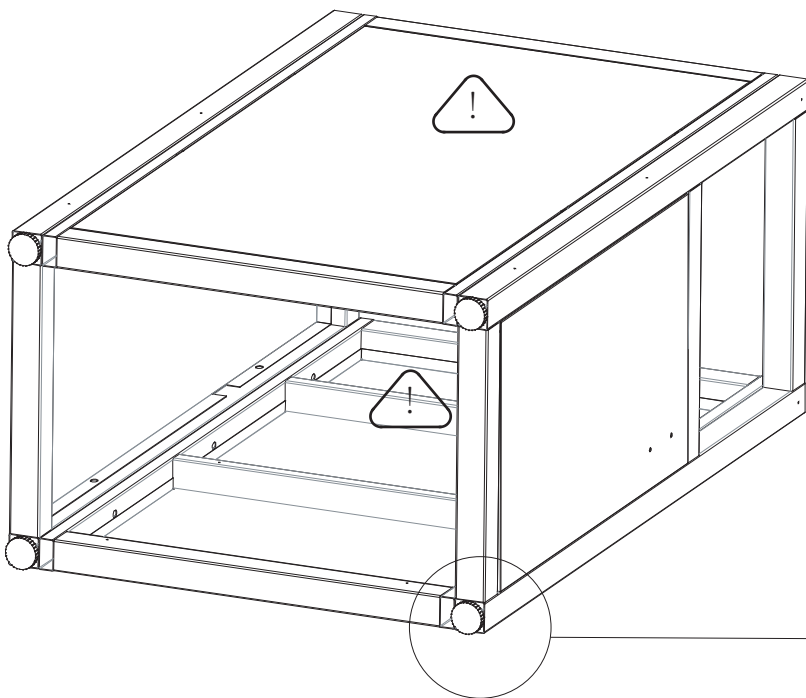
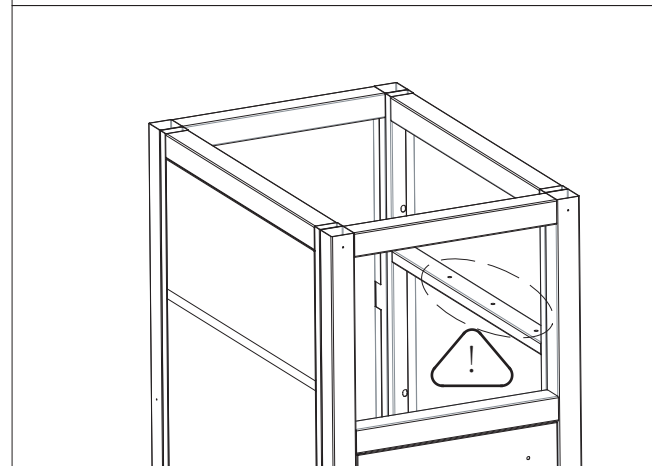
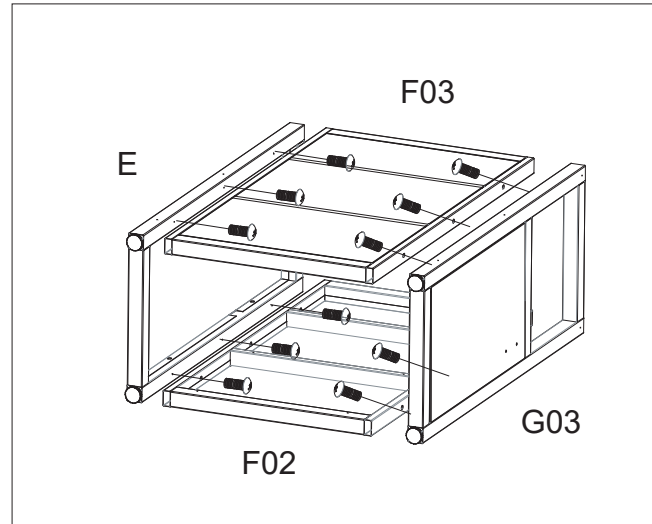
BB \*12

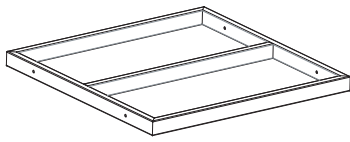
1.FF is rotatably mounted onto E and G03.

2.Use BB screws to secure F02 and F03 to E and G03.

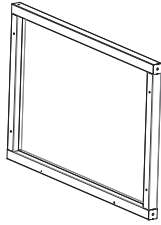


Important: Ensure that the upper-middle tube holes of F02 and F03 are facing upward during installation.

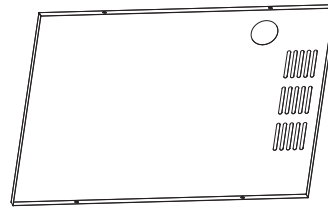




G01 \*1



F01 \*1



H02 \*1



FF \*2



AA \*4

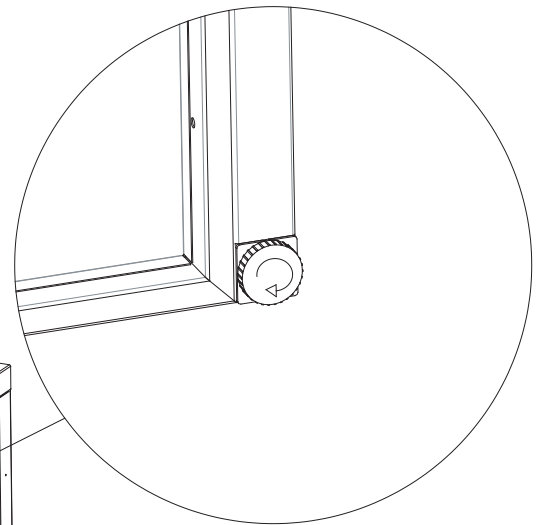
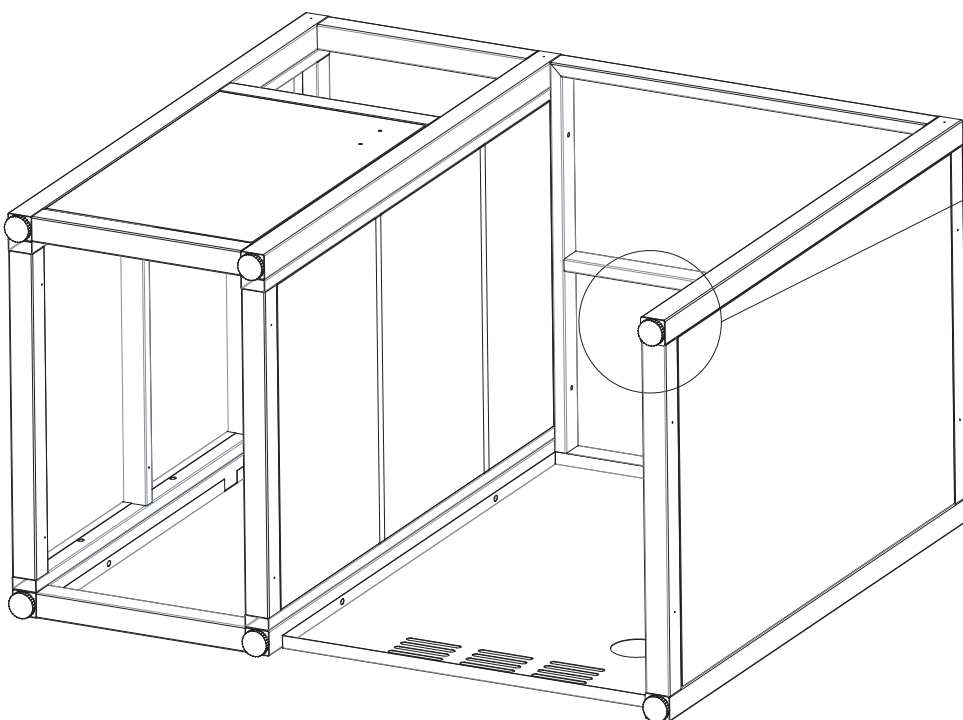
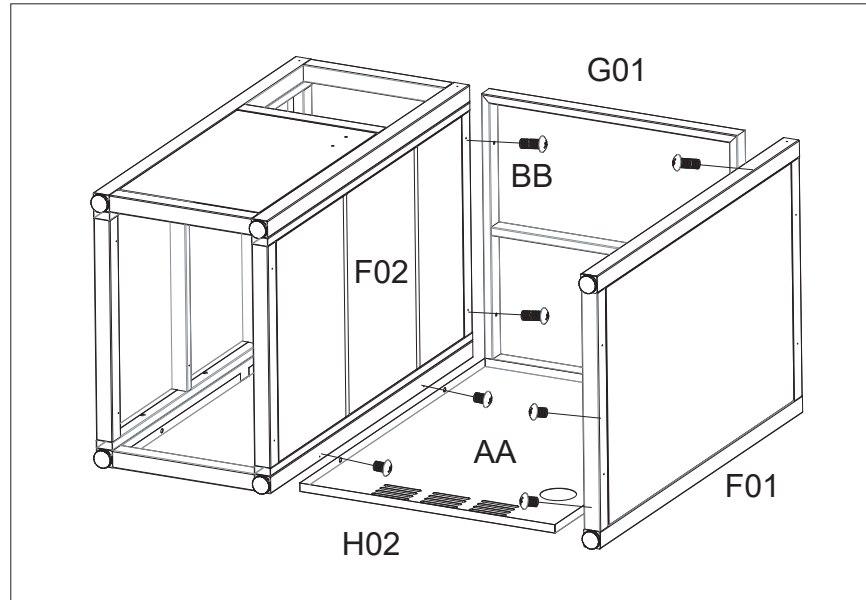


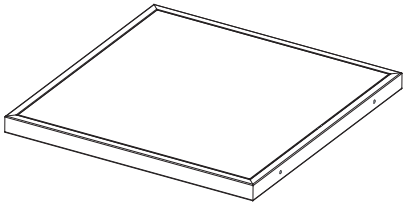
BB \*4

1. FF is rotatably mounted onto F01.

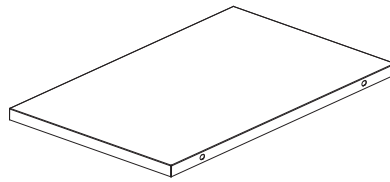
2. Use BB screws to secure G01 to F01 and F02.

3. Use AA screws to secure H02 to F01 and F02.





G02 \*1



G04 \*1



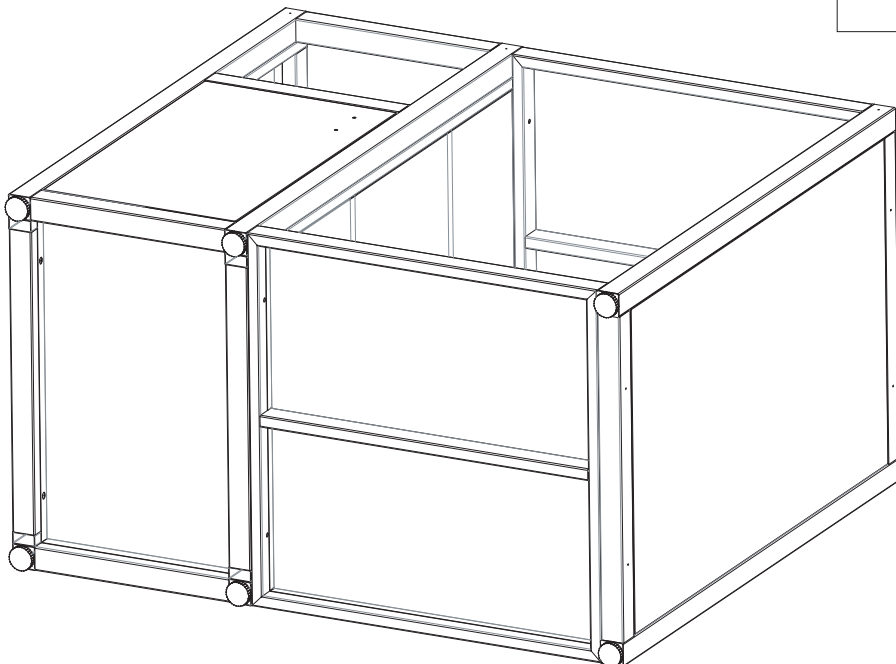
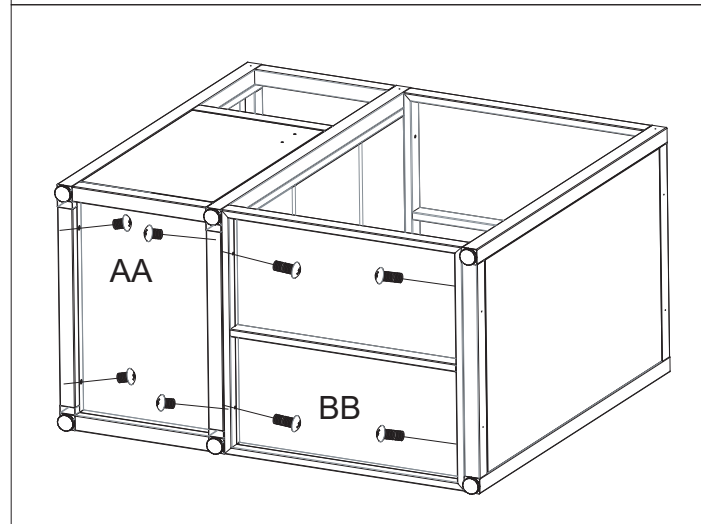
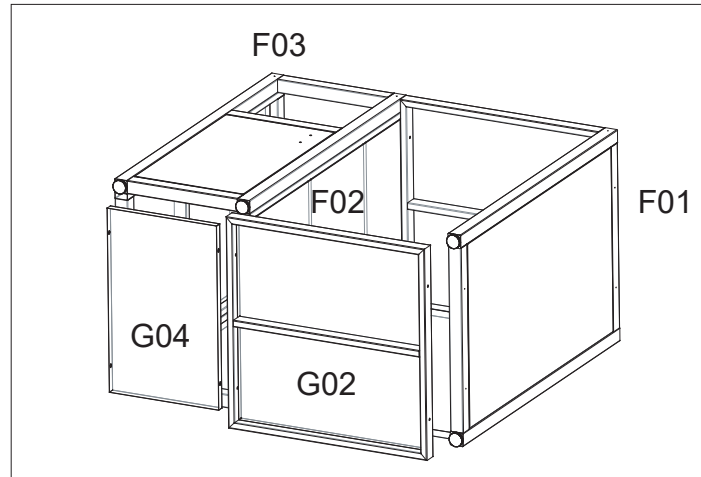
AA \*4

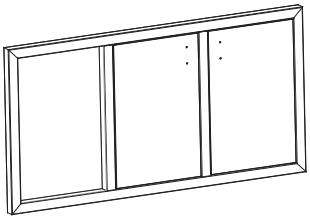


BB \*4

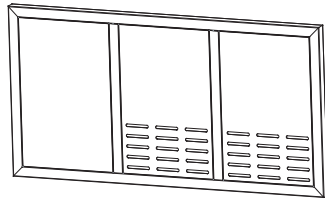
1. Use BB screws to secure G02 to F01 and F02.

2. Use AA screws to secure G04 to F02 and F03.

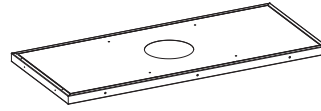




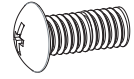
M01 \*1



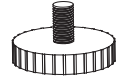
M02 \*1



M03 \*1




BB \*6

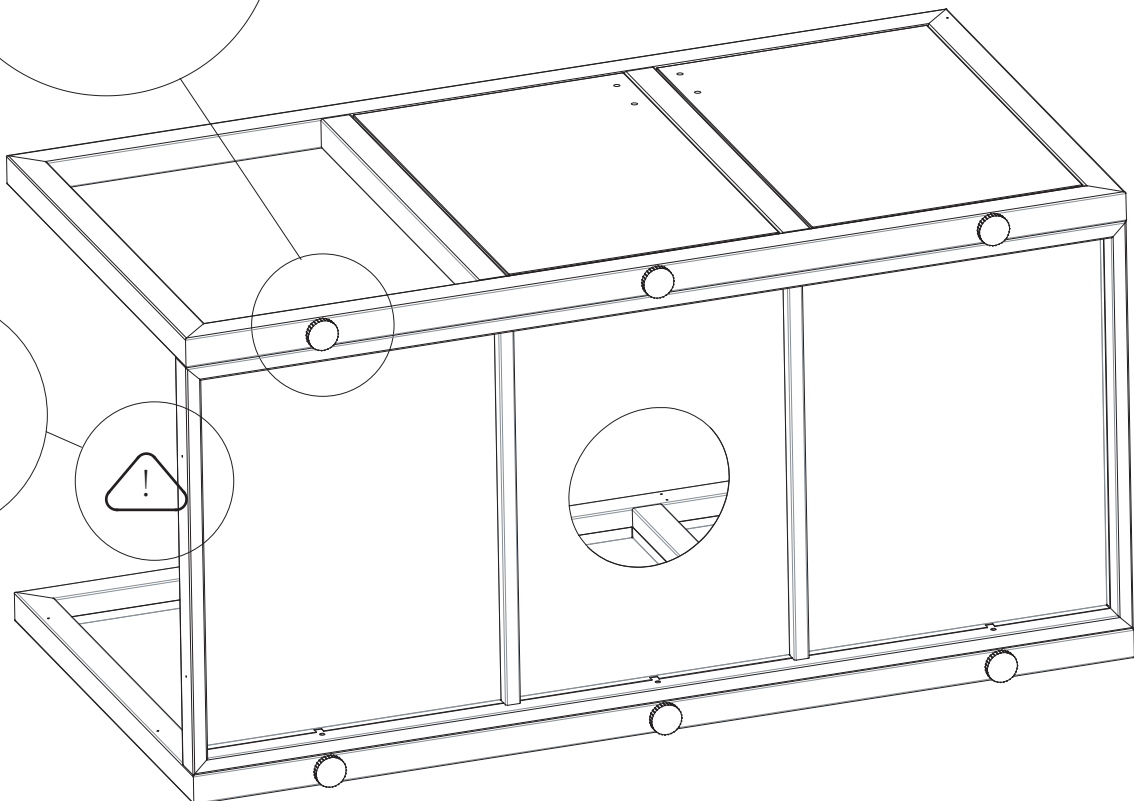
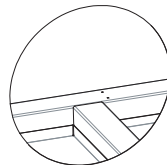
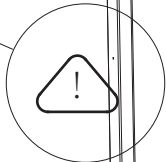
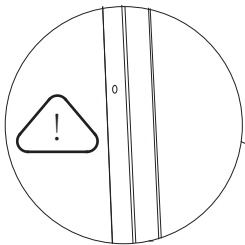
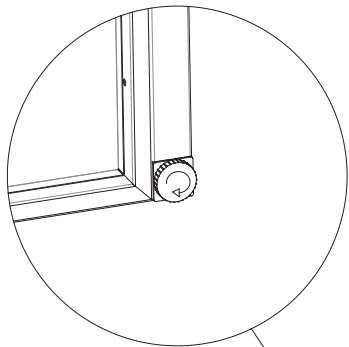
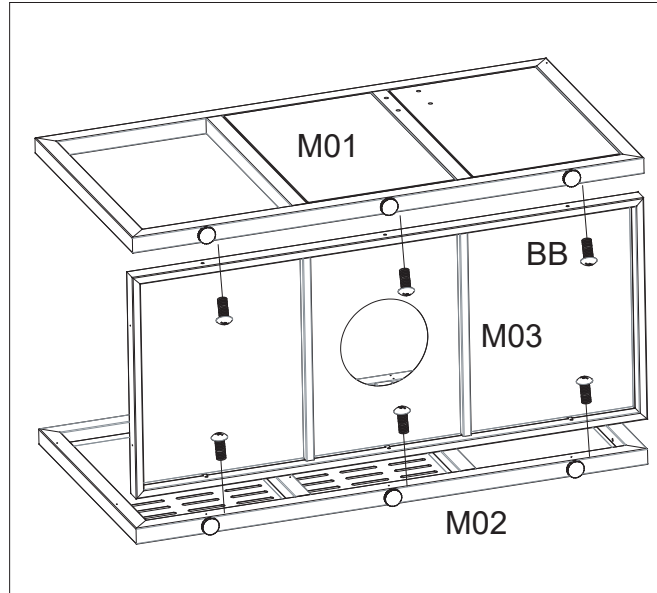


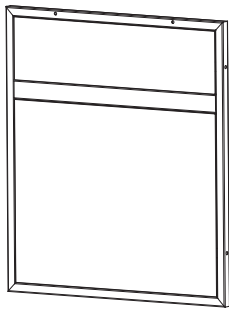
FF \*6

1. FF is rotatably mounted onto M01 and M02.

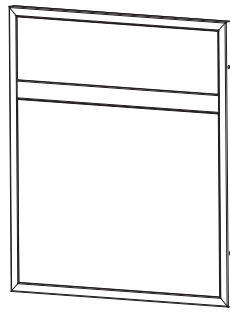
2. Use BB screws to secure M03 to M01 and M02

 Important: Ensure that the round holes are facing outward.

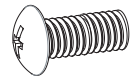




N01 \*1



N02 \*1

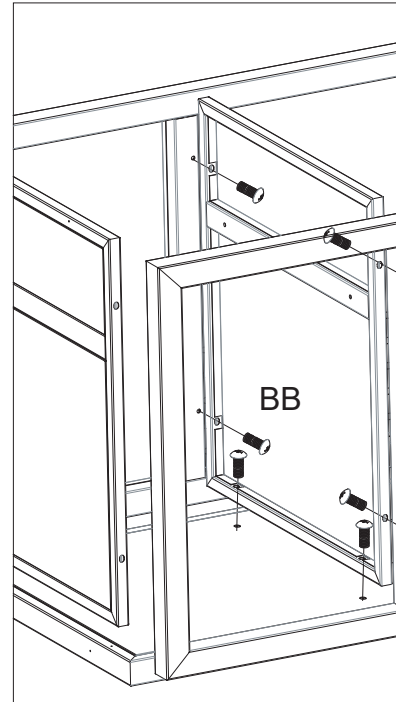
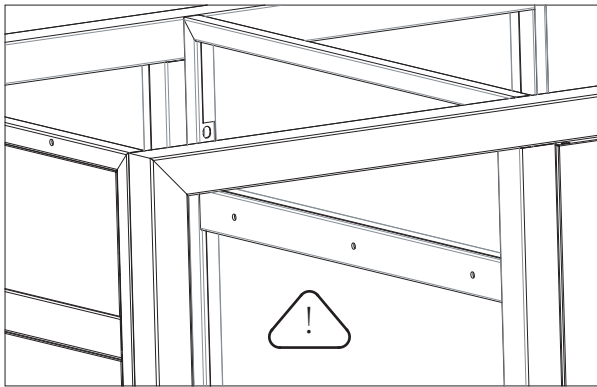


BB \*12

1. Use BB screws to secure N01 and N02 to M01 and M02 and M03.

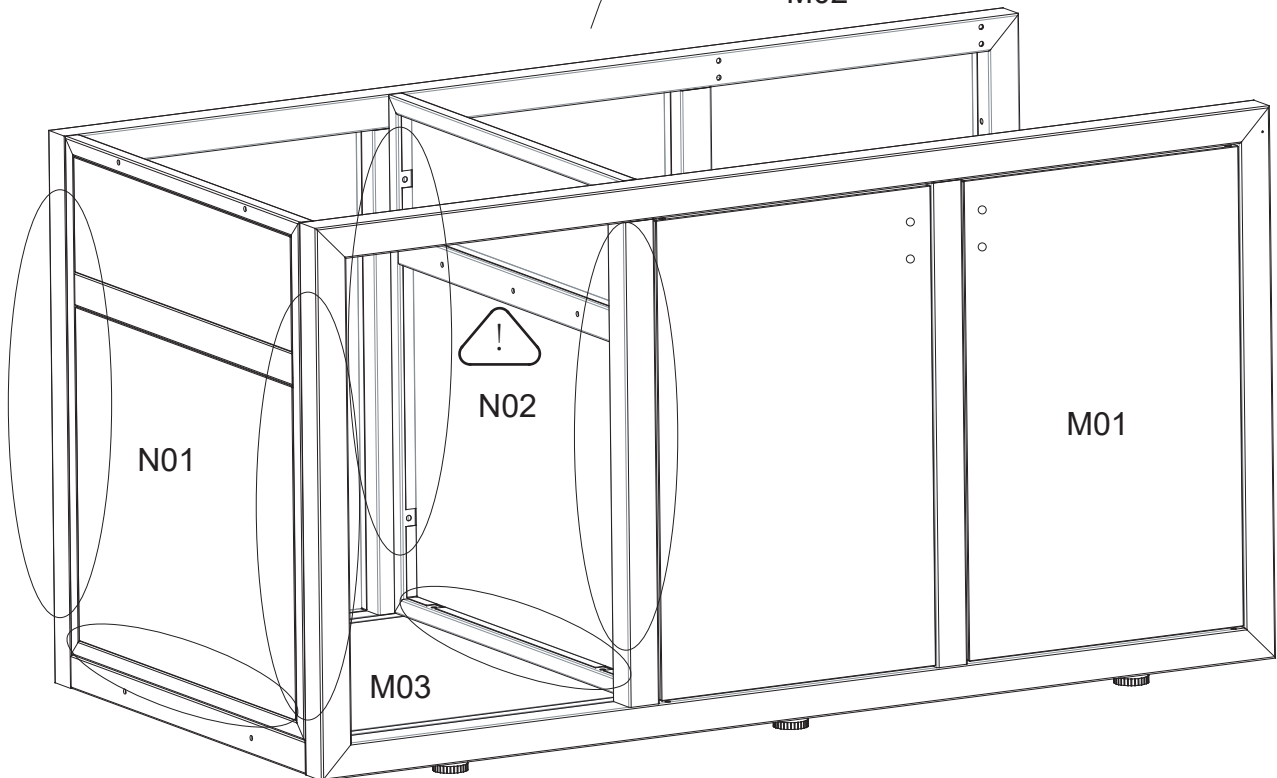


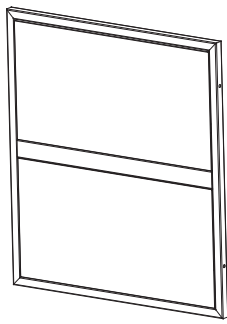
Important: Ensure that the holes of N01 and N02 are facing inward.



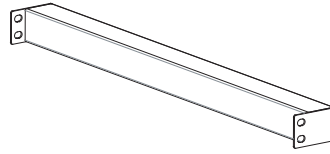
BB

M02

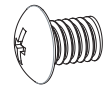




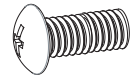
N03 \*1



V \*1



AA \*4



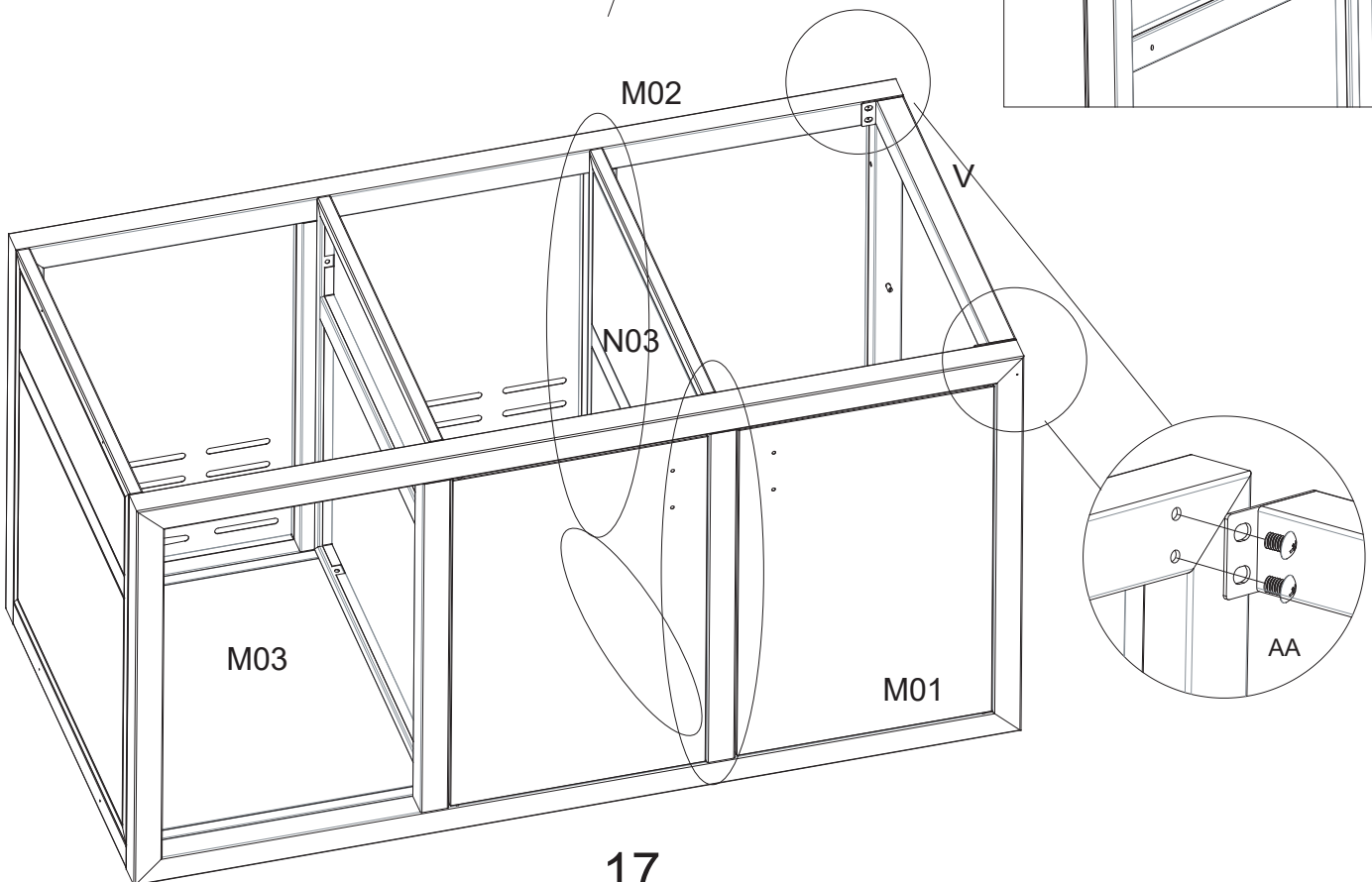
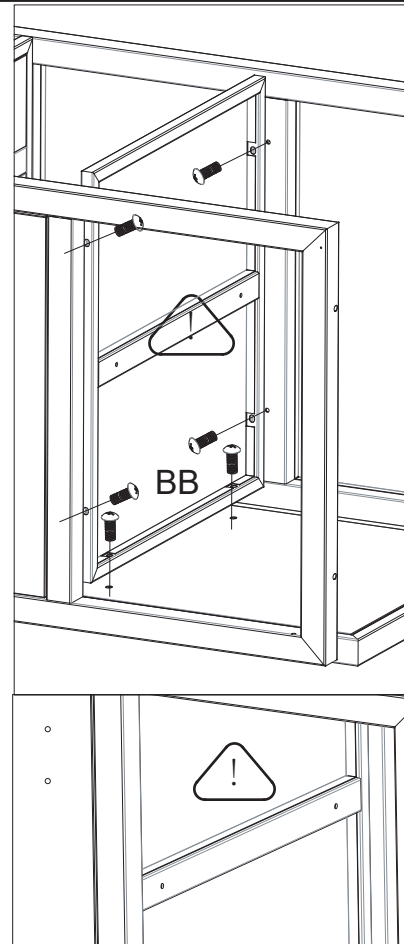
BB \*6

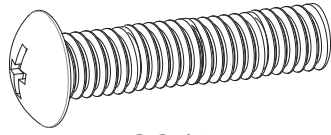
1. Use BB screws to secure N03 to M01, M02 and M03.

2. Use AA screws to secure V to M01 and M02.



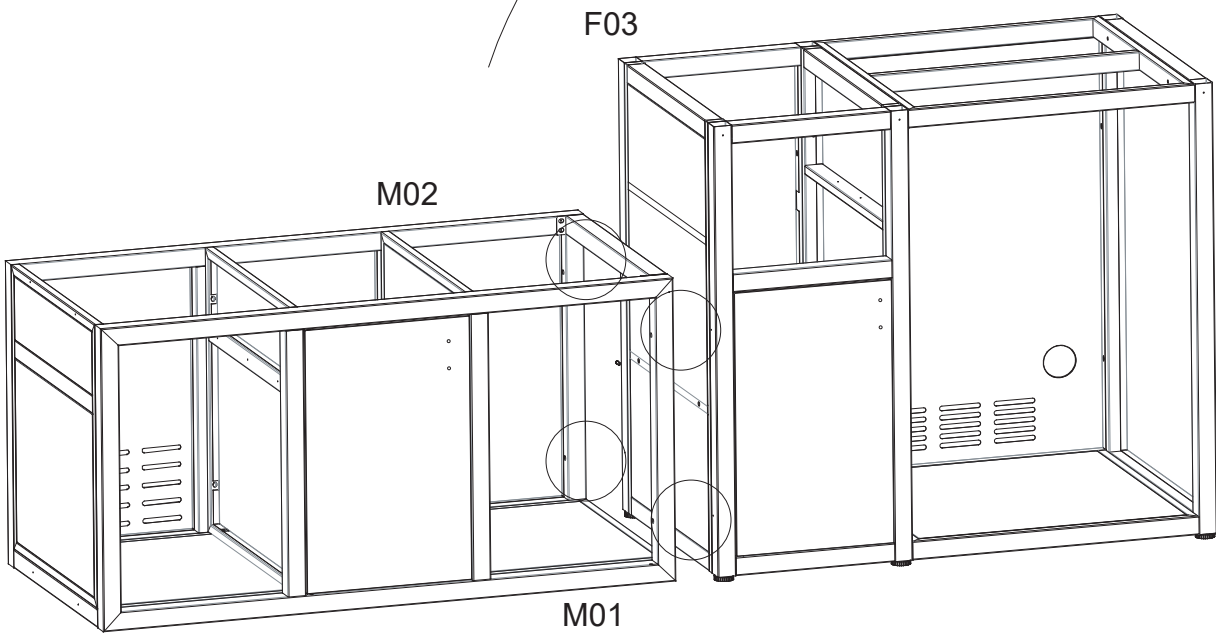
Important: Ensure that the holes are facing inward.

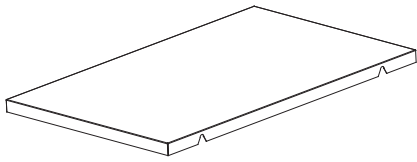




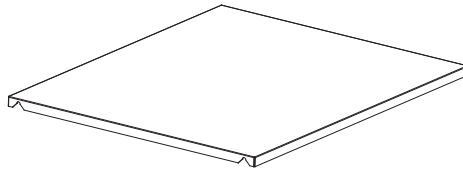
CC \*4

1. Use CC screws to secure M01 and M02 to F03.

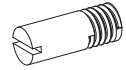




H01 \*1



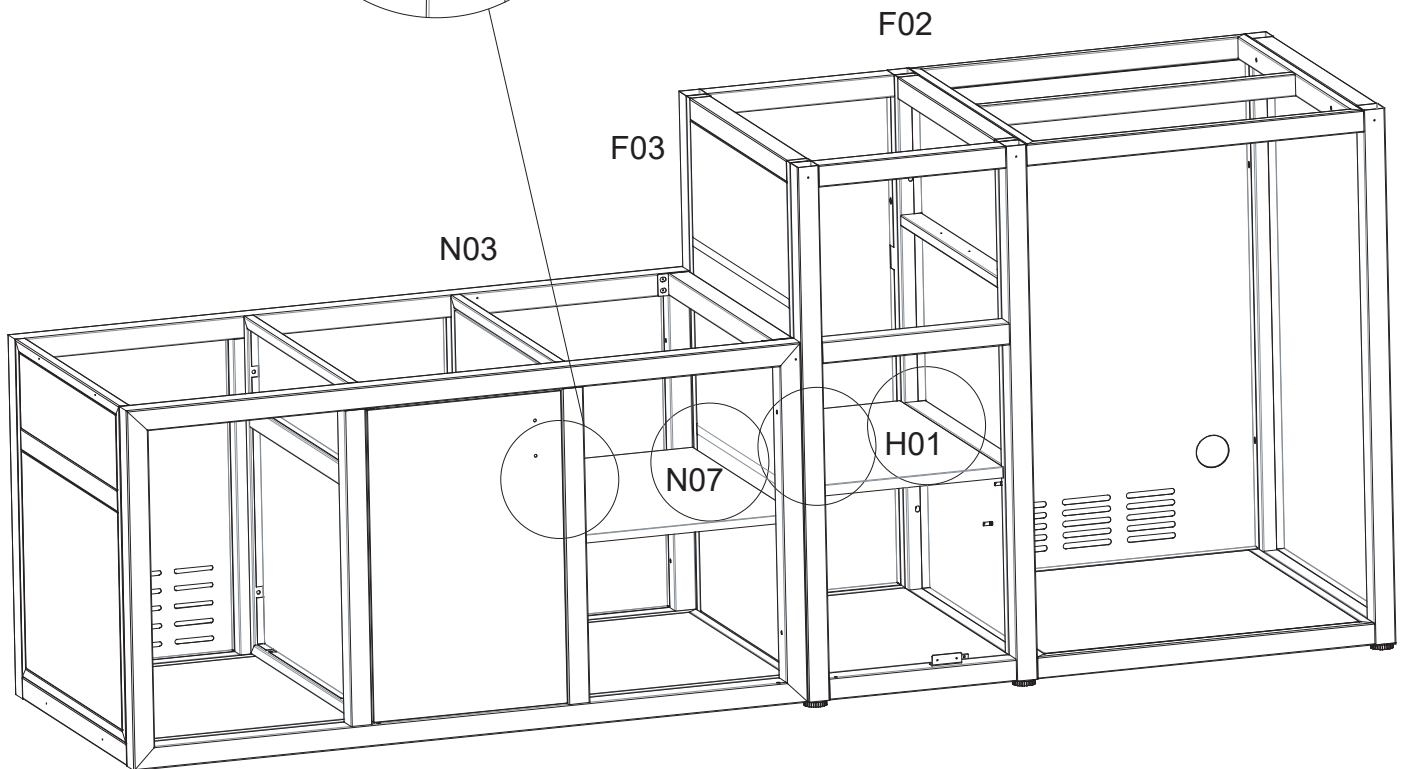
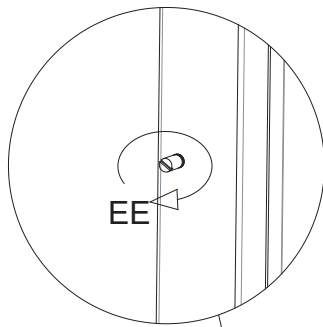
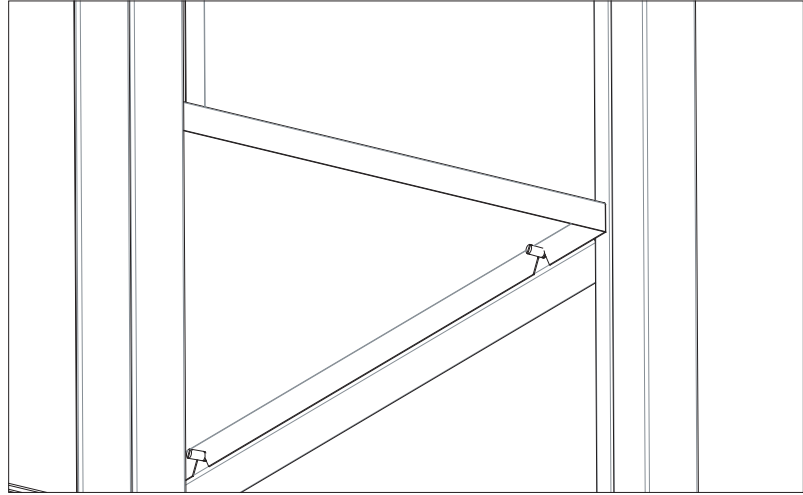
N07 \*1

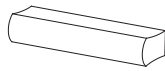


EE \*8

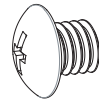
1. Install EE screws into F02, F03, and N03.

2. Snap H01 and N07 onto the installed EE screws.





X \*3

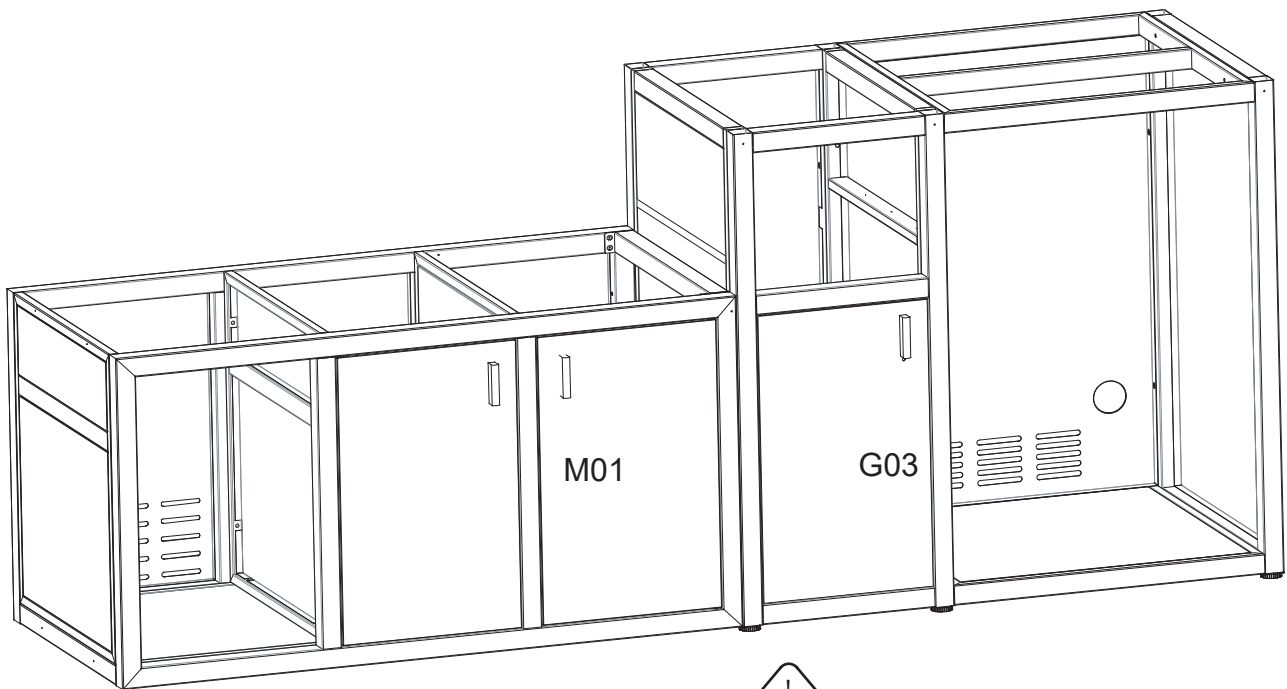
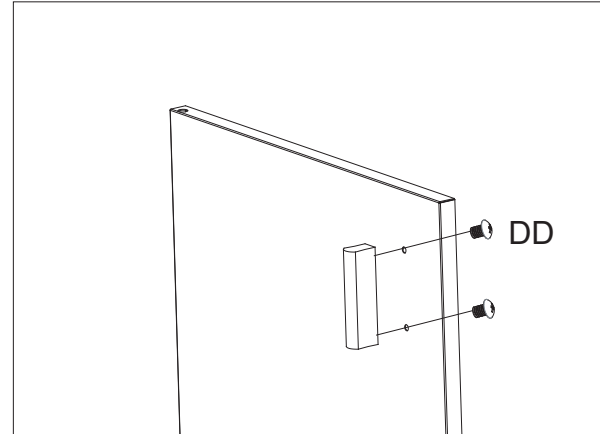


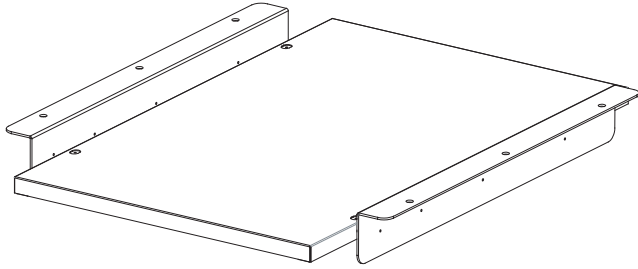
DD \*6

1. Use DD screws to secure X to G03 and M01.

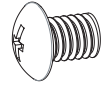
Test the cabinet door by opening and closing it. If the door does not close properly...

First, adjust the leveling feet at the bottom of the cabinet to ensure the cabinet is positioned on a level surface.



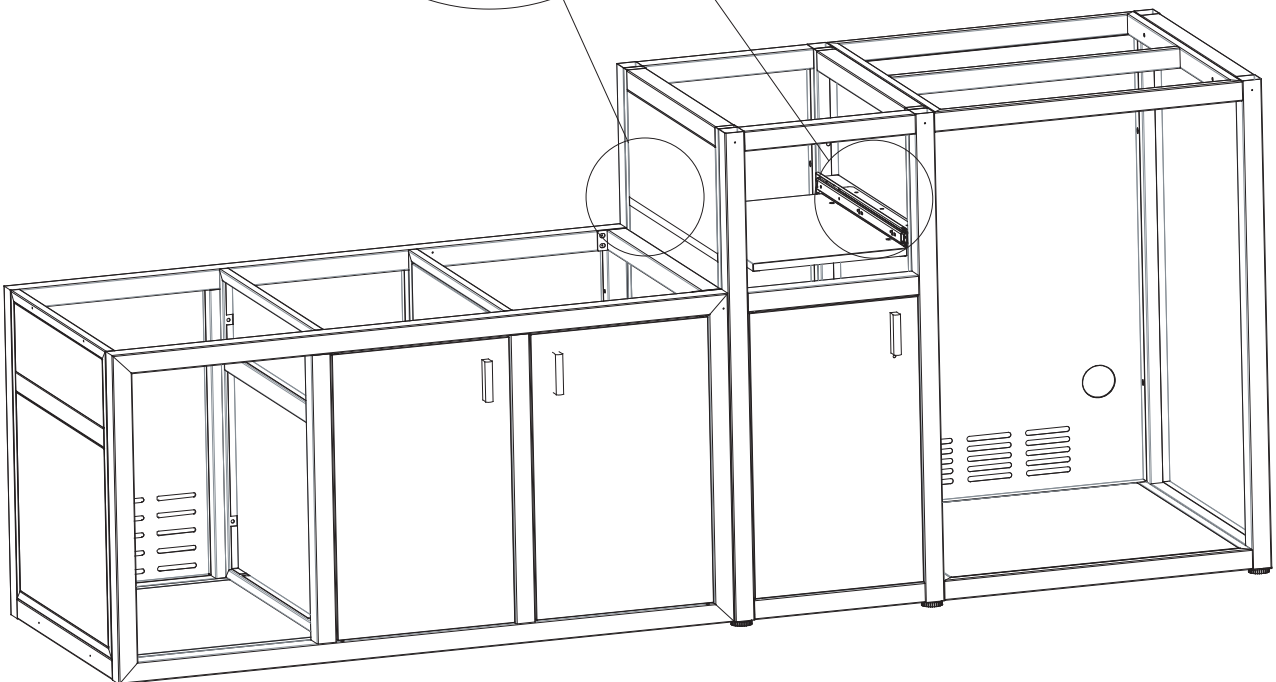
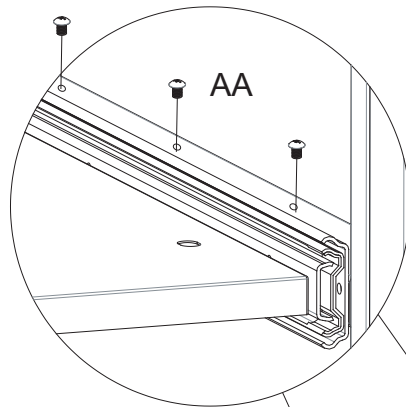
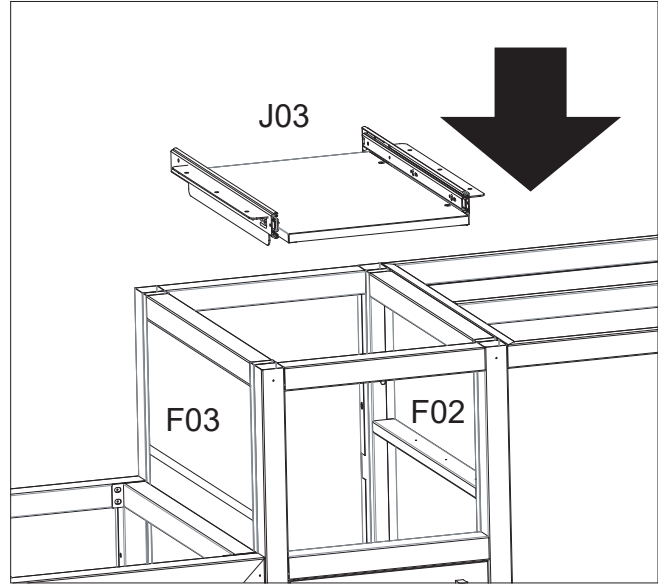


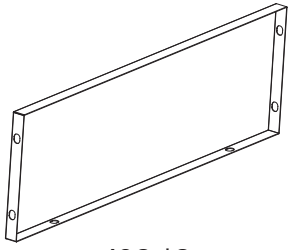
J03 \*1



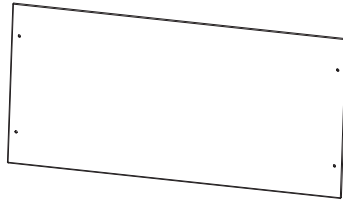
AA \*6

1. Use AA screws to secure J03 to F02 and F03.

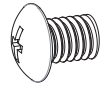




J02 \*2



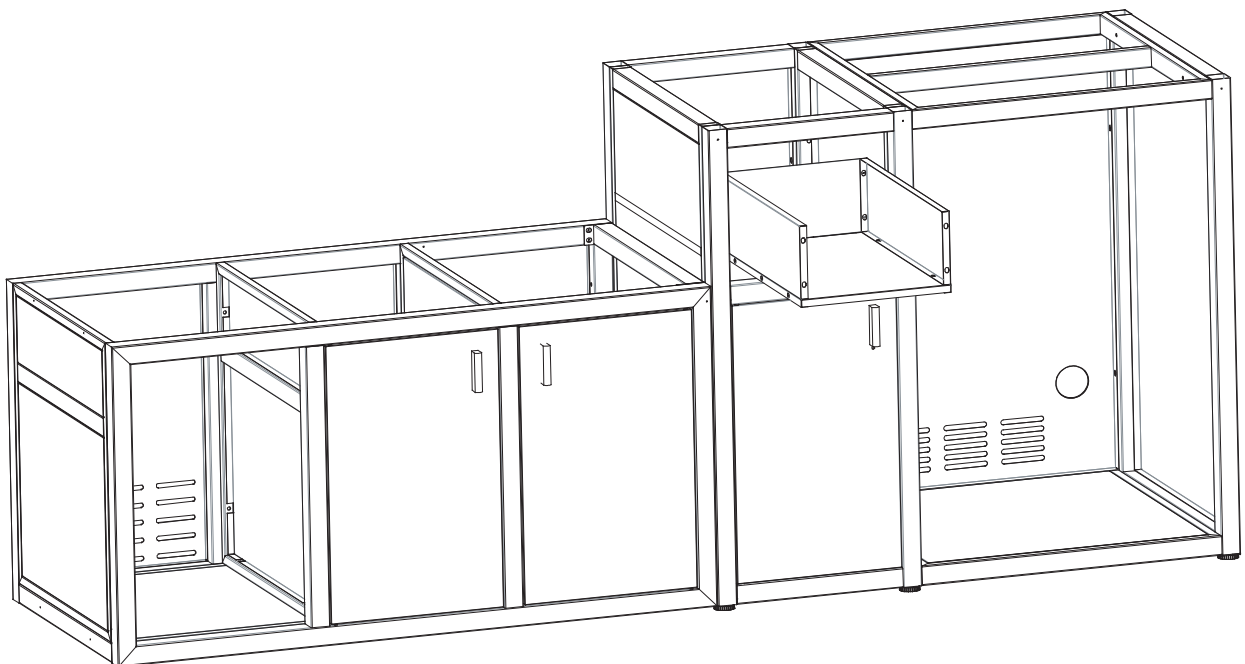
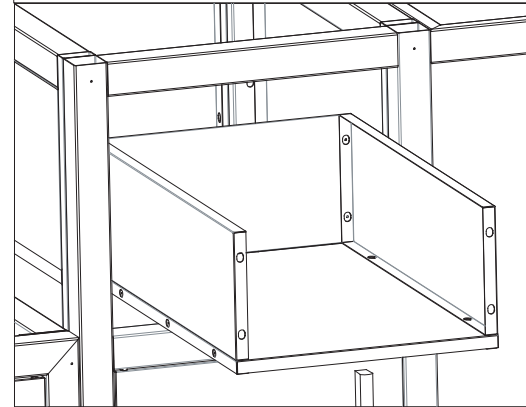
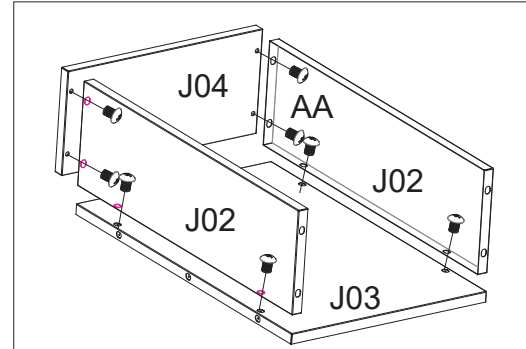
J04 \*1

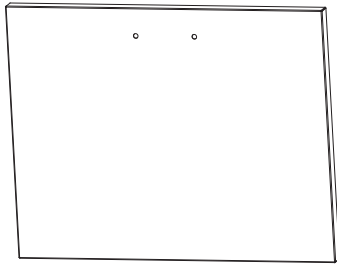


AA \*8

1. Use AA screws to secure J02 to J03.

2. Use AA screws to secure J04 to J02.

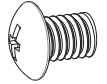




J01 \*1



X \*1



AA \*4



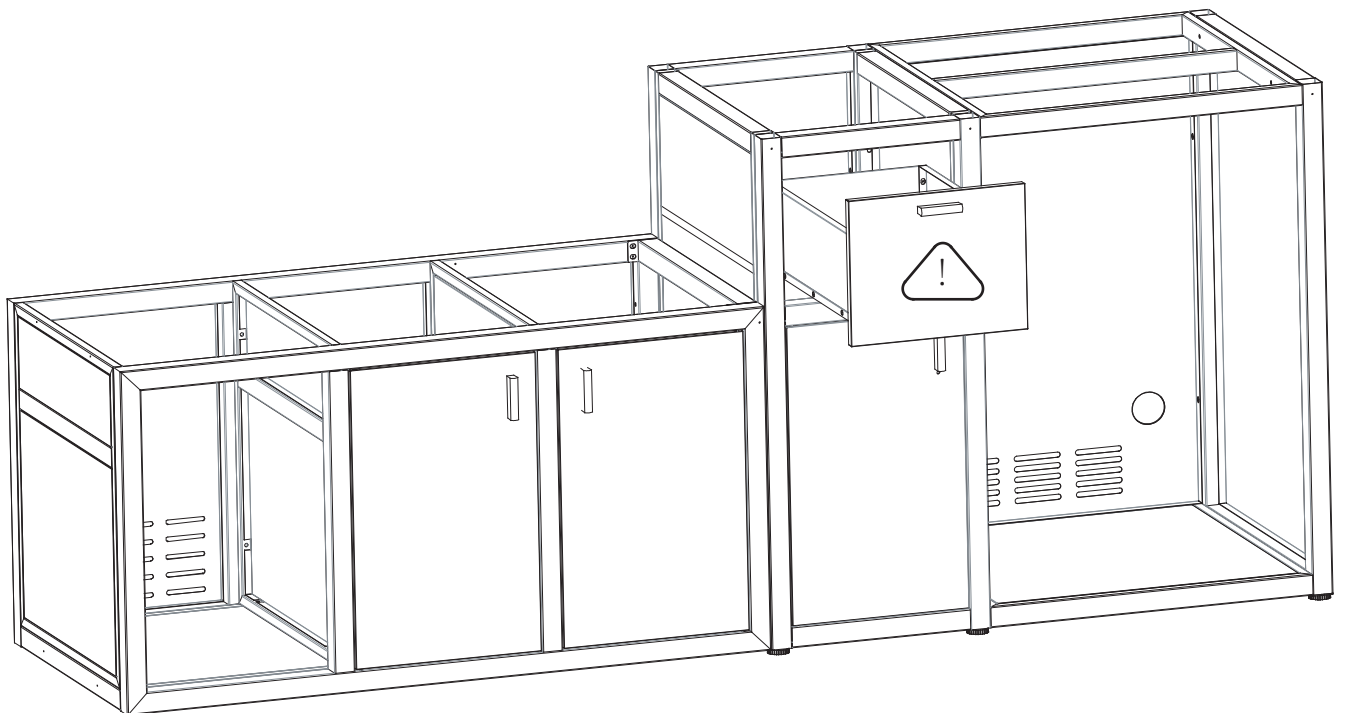
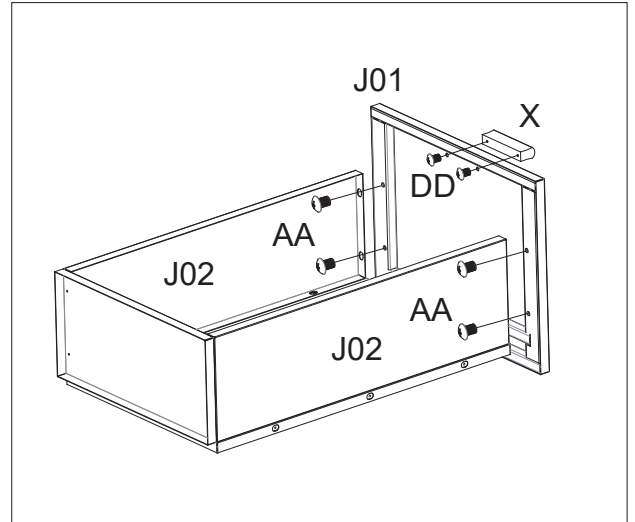
DD \*2

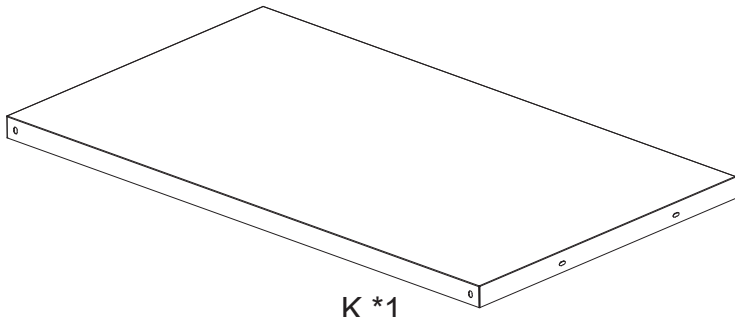
1. Use AA screws to secure J01 to J02.

2. Use DD screws to secure X to J01.

After installation, test the drawer by pulling it in and out.

If the cabinet door rubs or does not close properly, loosen the screws securing J01 and J02 to adjust the door vertically or horizontally.





K \*1

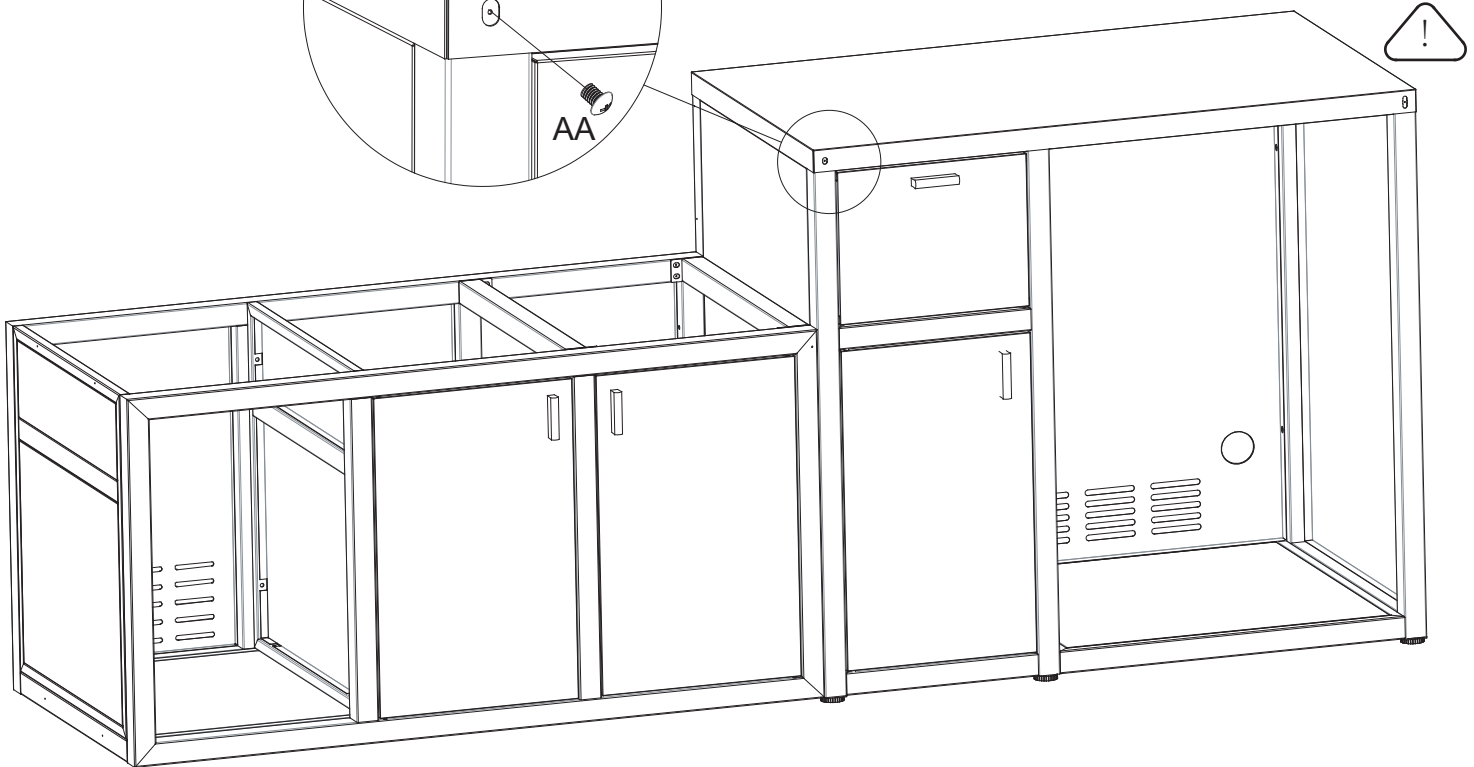
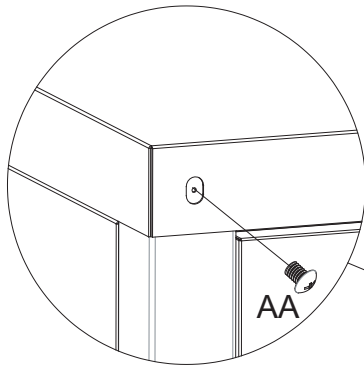
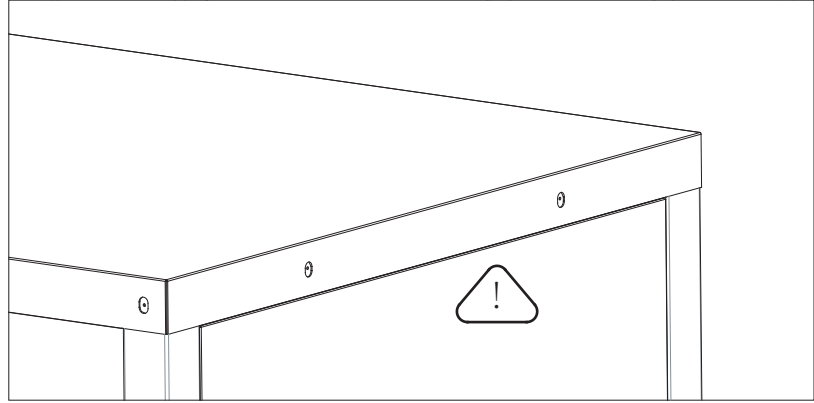
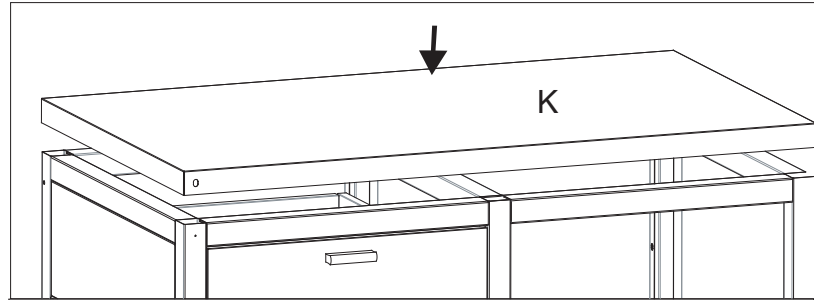


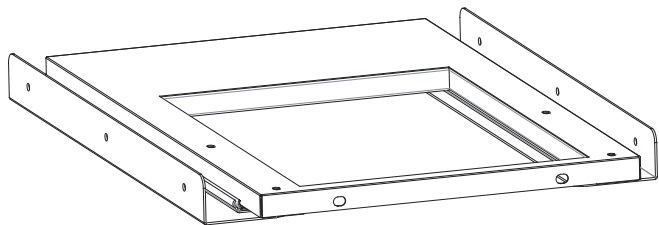
AA \*4

1. Use AA screws to secure K to F01 and F03.



Important: Ensure that the holes are facing right.



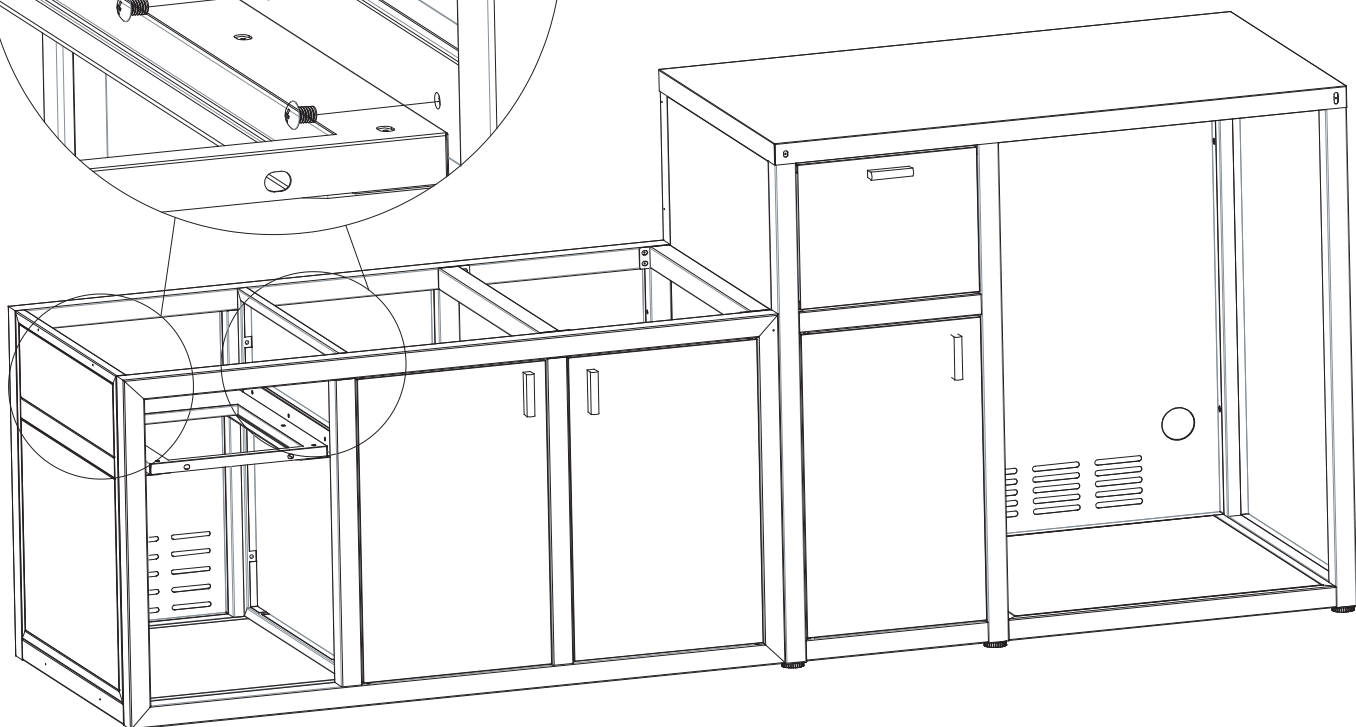
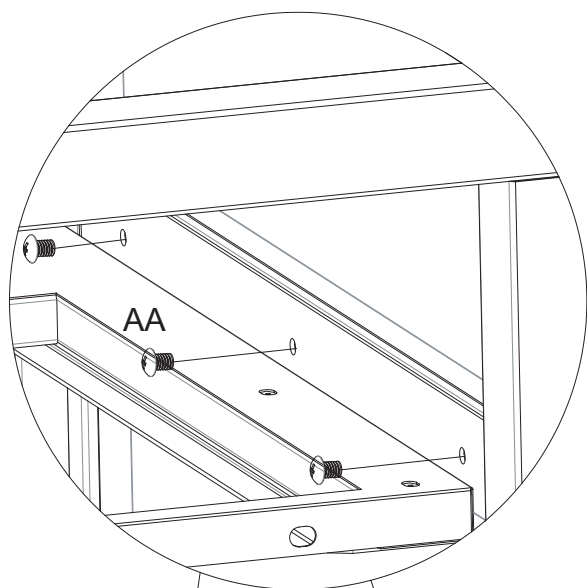
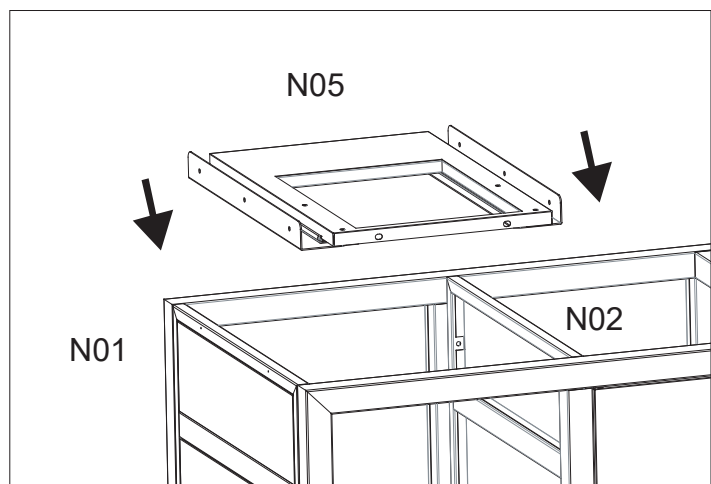


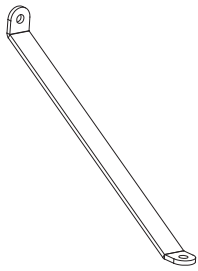
N05 \*1



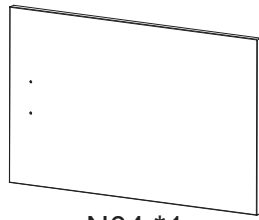
AA \*6

1. Use AA screws to secure N05 to N01 and N02.





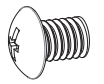
N06 \*2



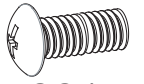
N04 \*1



X \*1



AA \*4



GG \*2



DD \*2

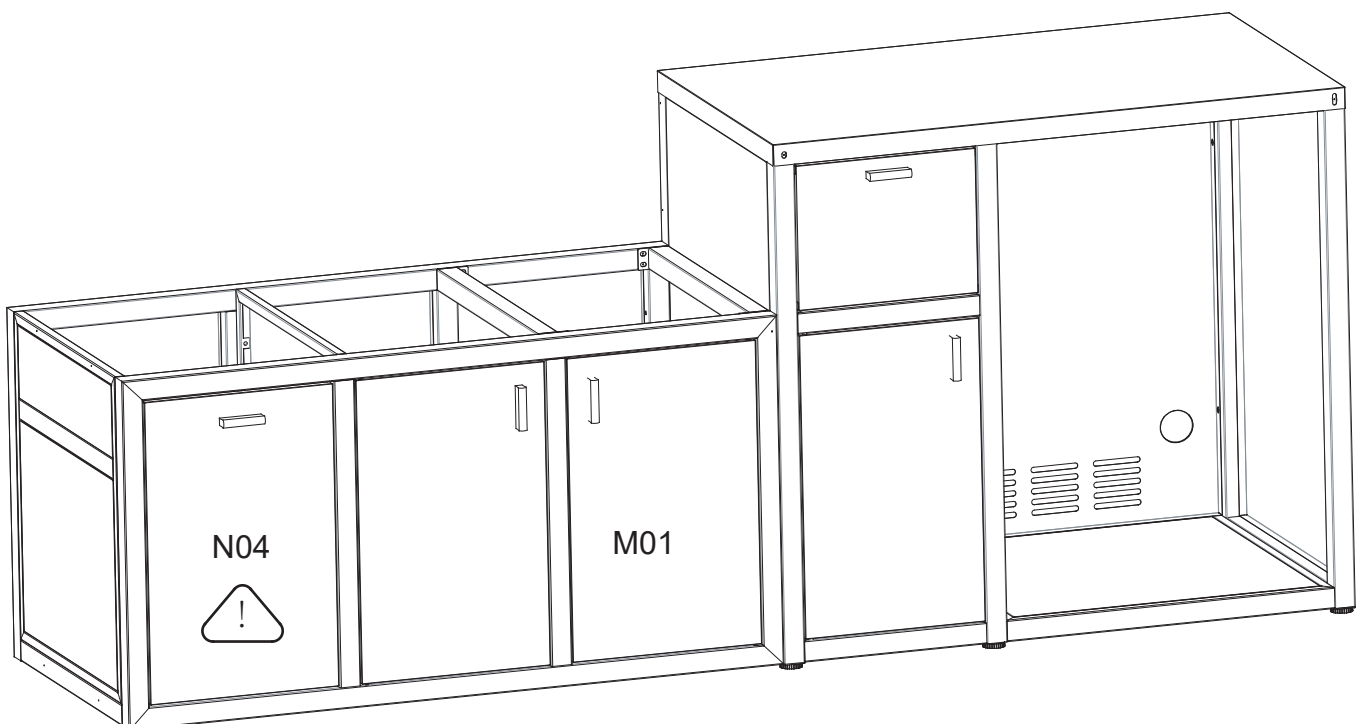
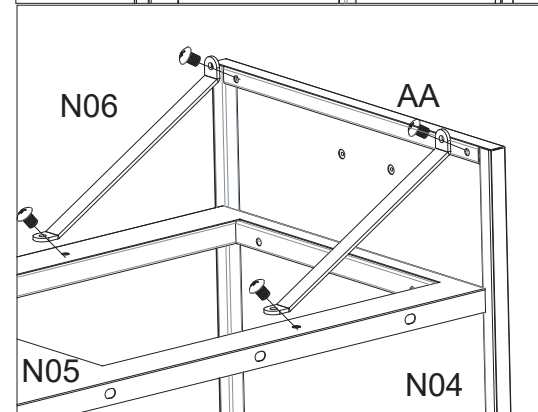
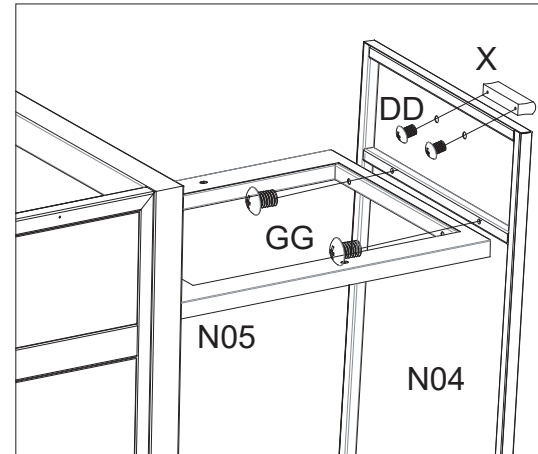
1. Use DD screws to secure X to N04.
2. Use GG screws to secure N04 to N05.
3. Use AA screws to attach N06 to N04 and N05.

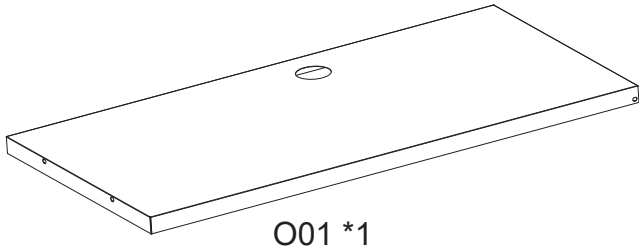
After installation, test the drawer by pulling it in and out.



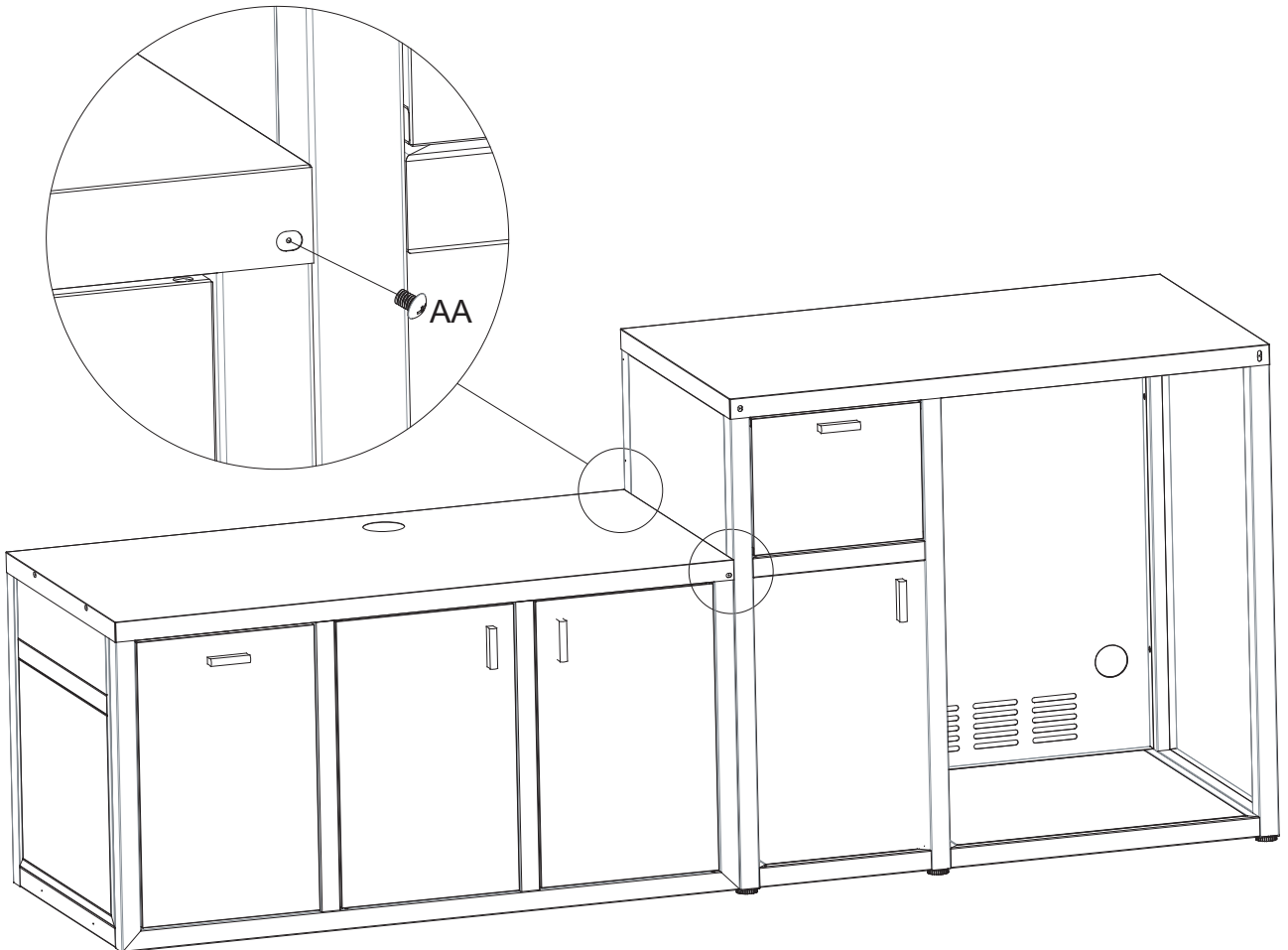
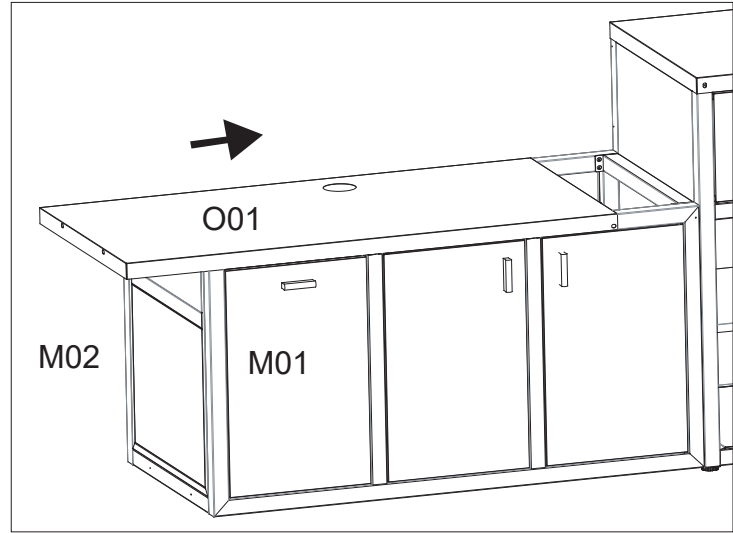
If the cabinet door rubs or does not close properly, loosen the screws securing N04 and N05 to adjust the door vertically or horizontally.

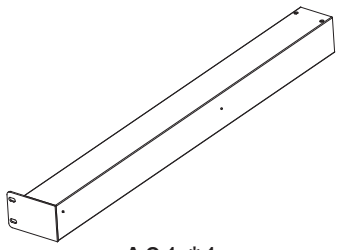
If the door panel is concave or convex, gently bend N06 to make adjustments.



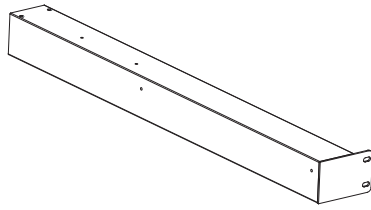


1. Use AA screws to secure O01 to M01 and M02.

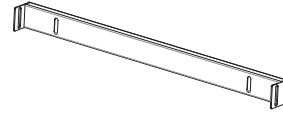




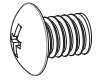
A01 \*1



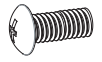
B01 \*1



T03 \*2



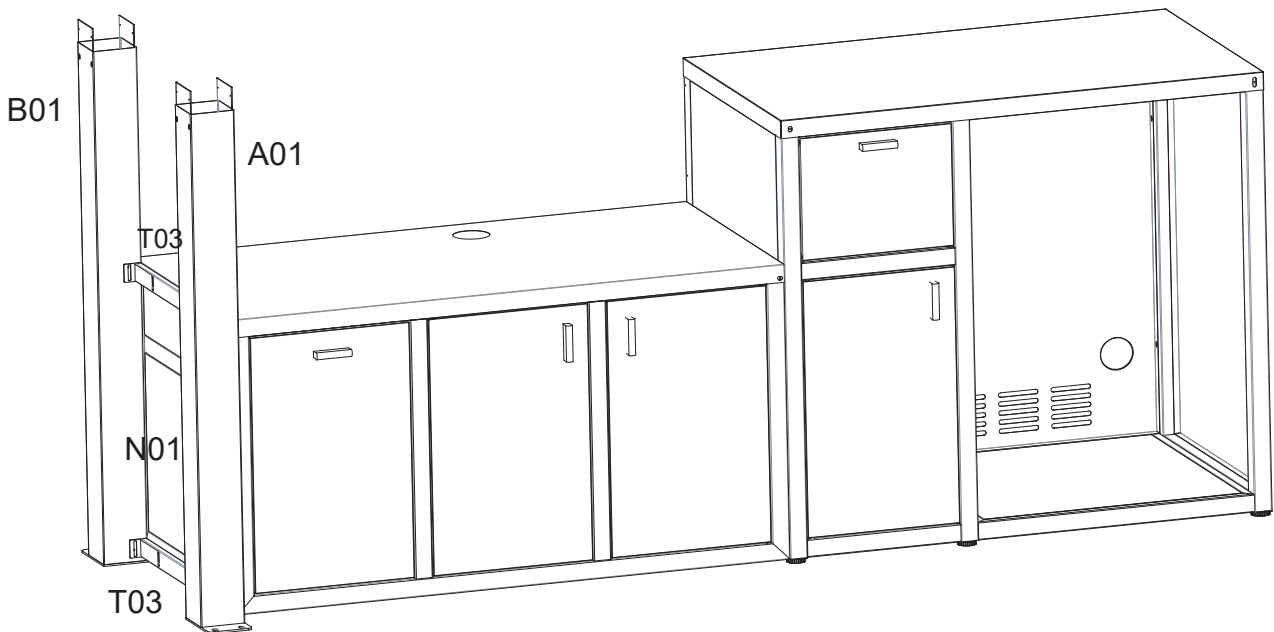
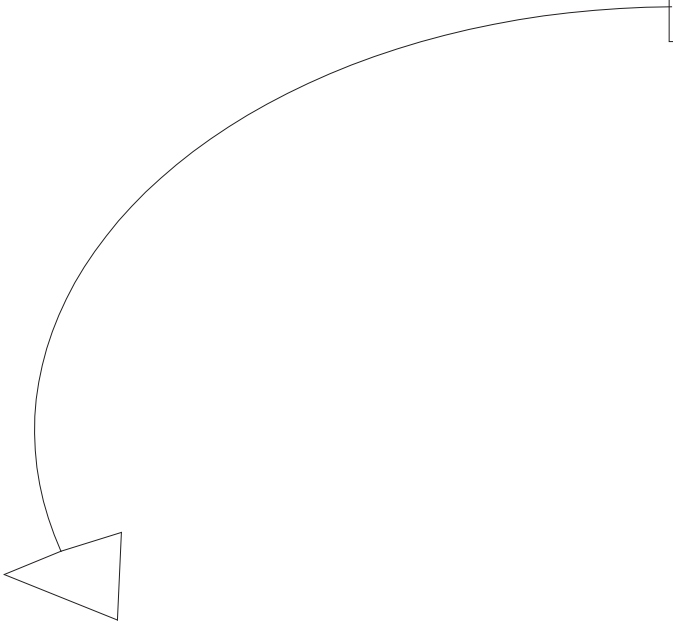
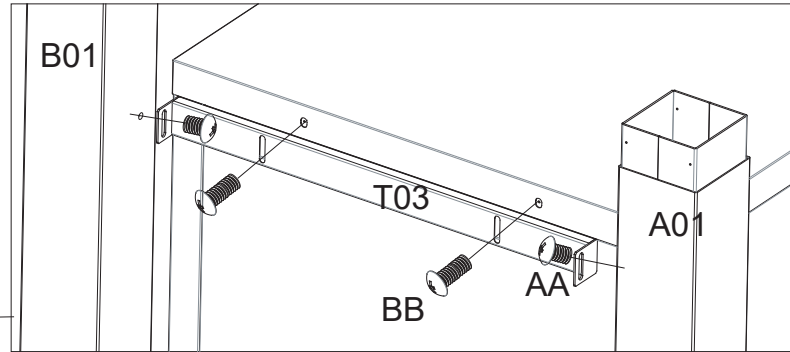
AA \*4

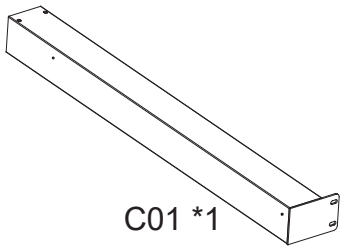


BB \*4

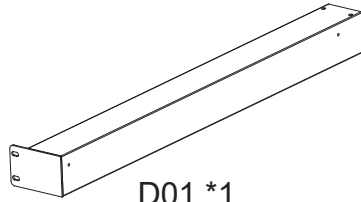
1. Use BB screws to secure T03 to N01.

2. Use AA screws to secure A01 and B01 to T03.

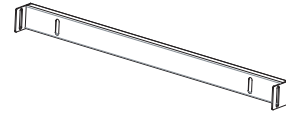




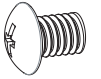
C01 \*1



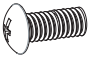
D01 \*1



T03 \*2



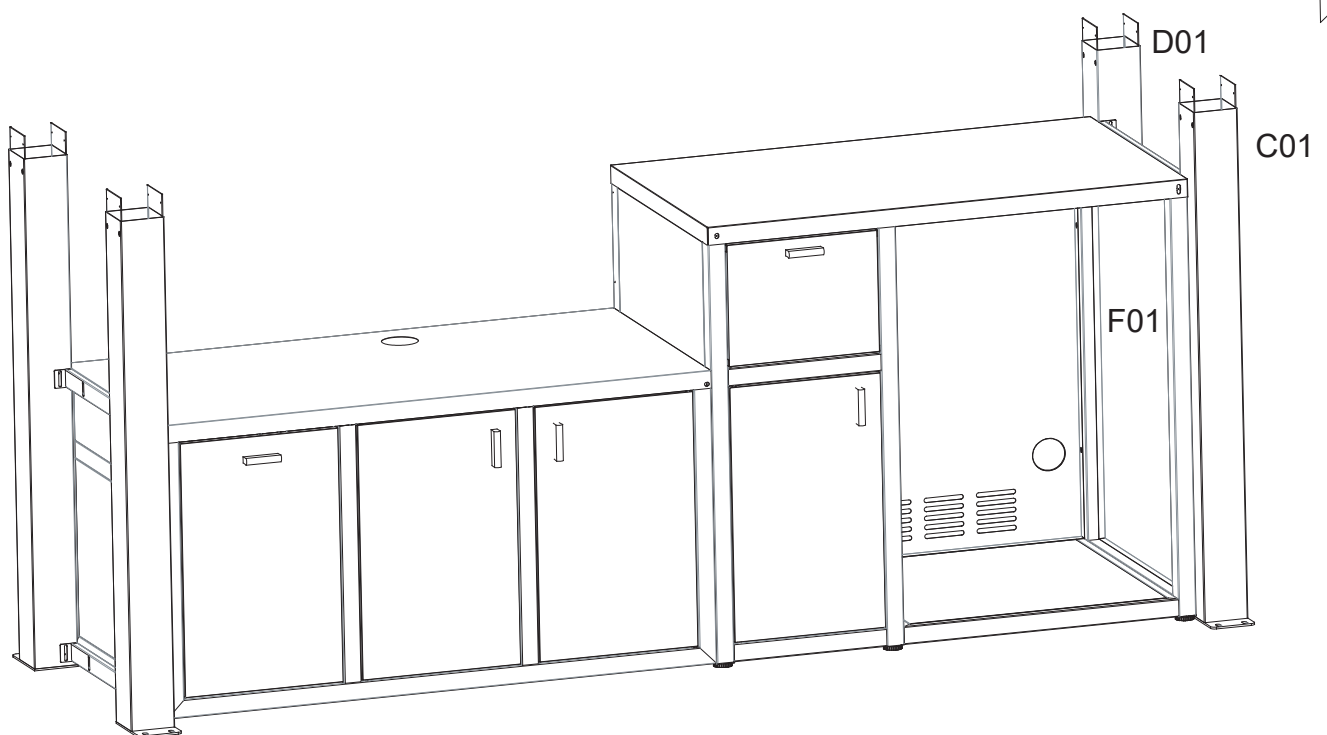
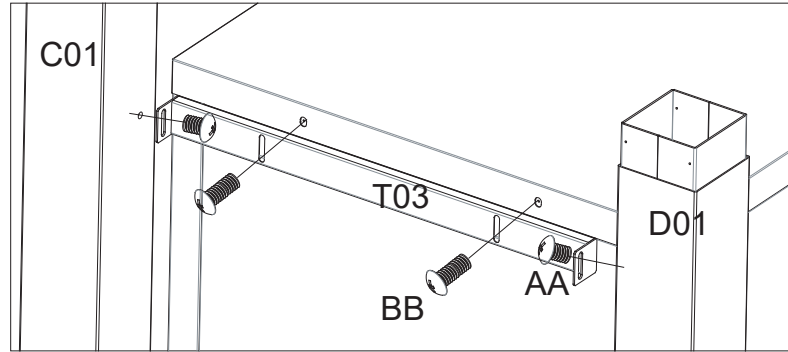
AA \*4

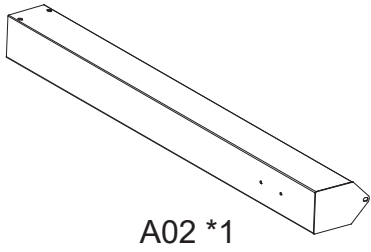


BB \*4

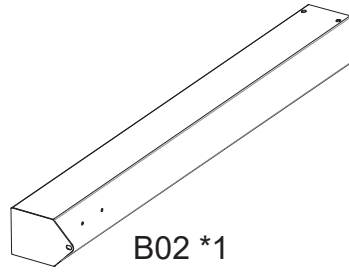
1. Use BB screws to secure T03 to F01.

2. Use AA screws to secure C01 and D01 to T03.





A02 \*1

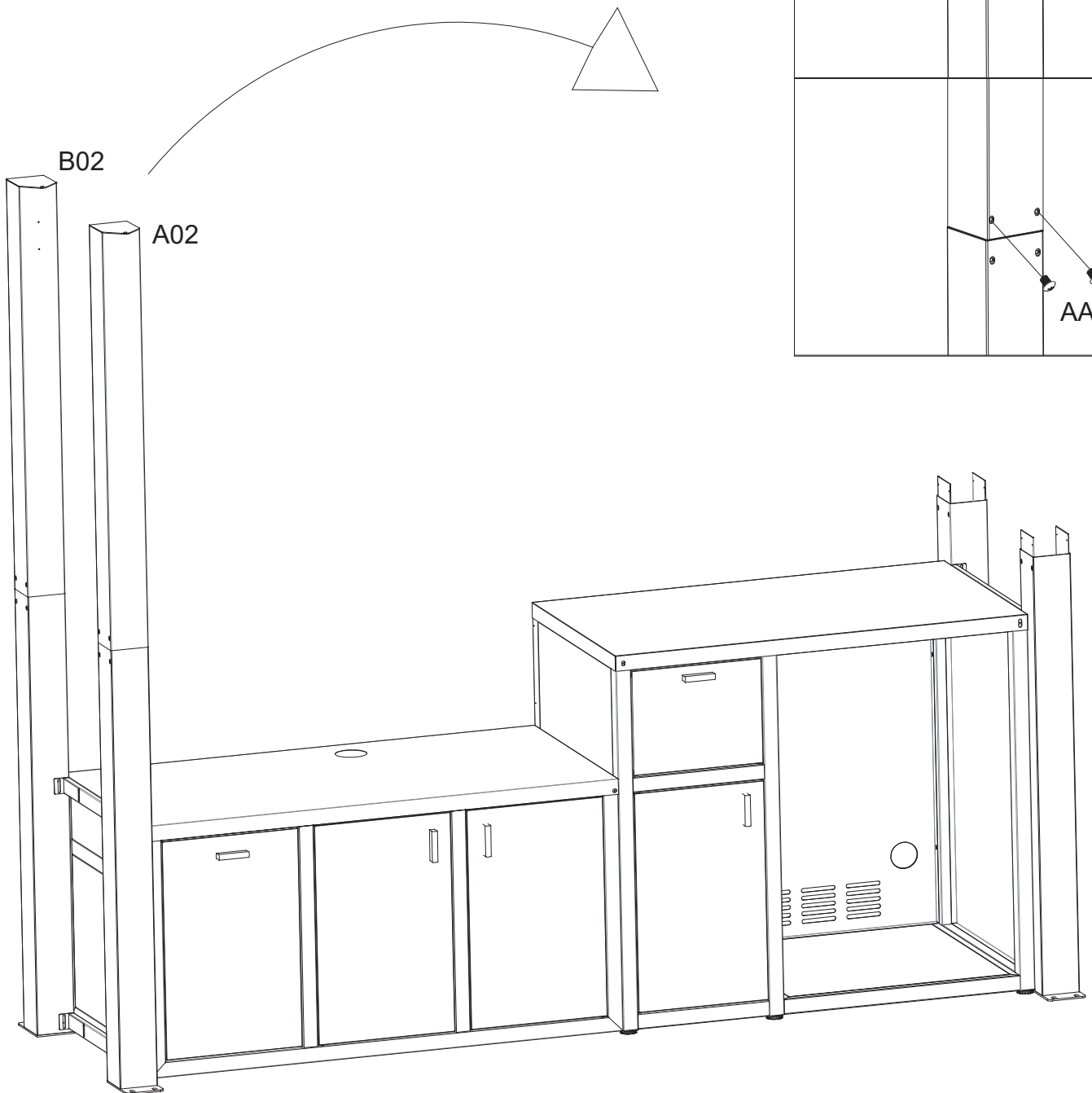
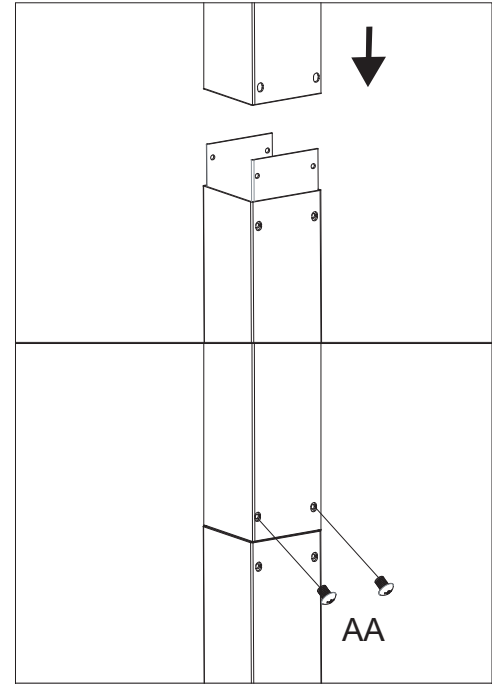


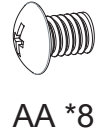
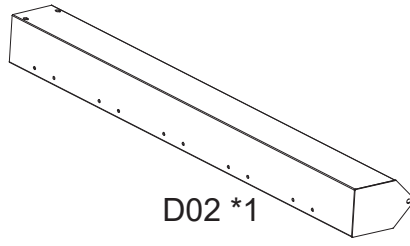
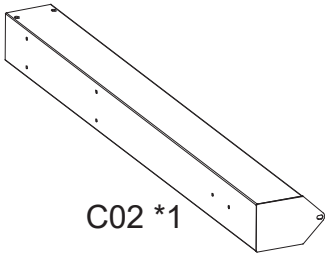
B02 \*1



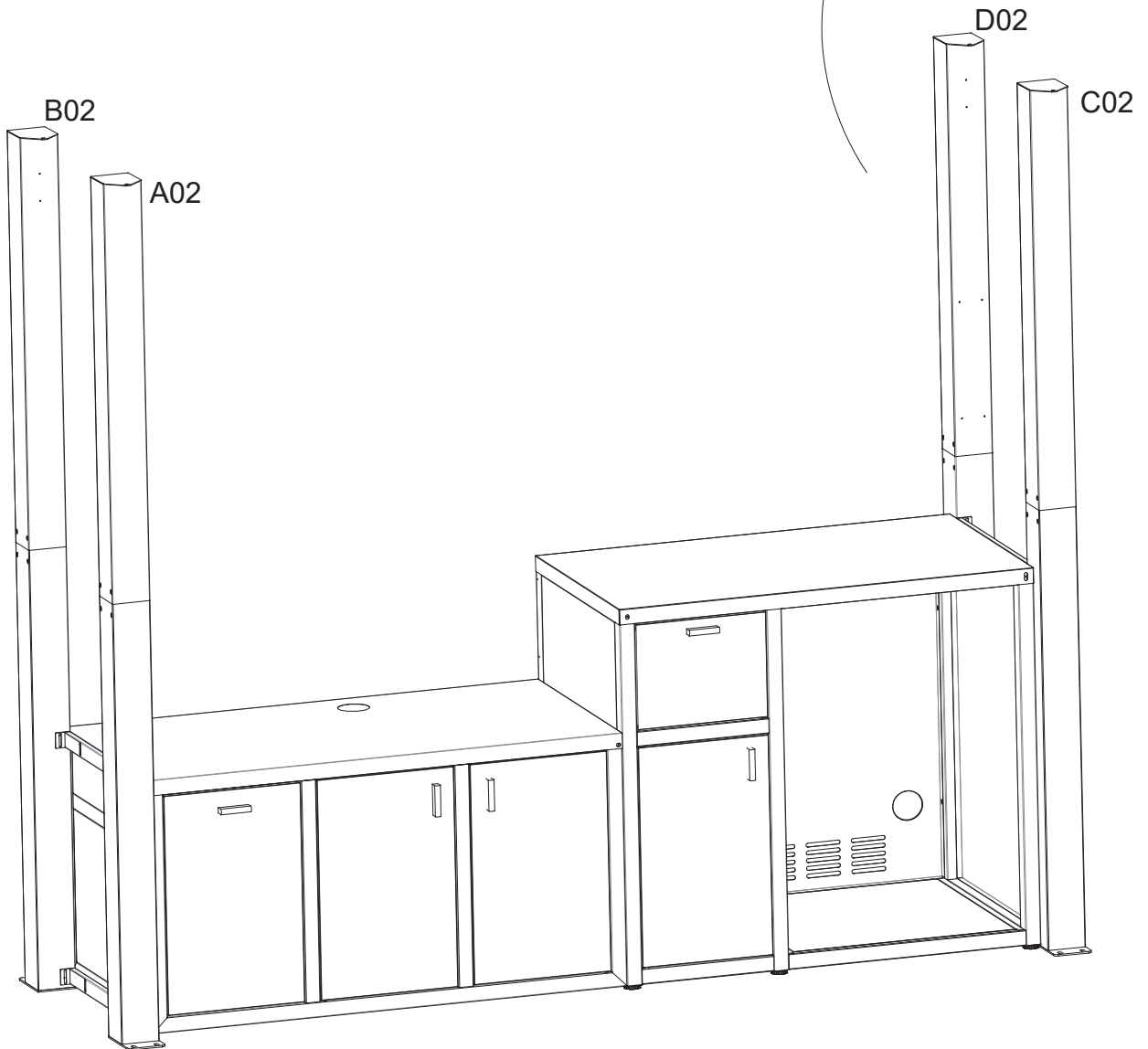
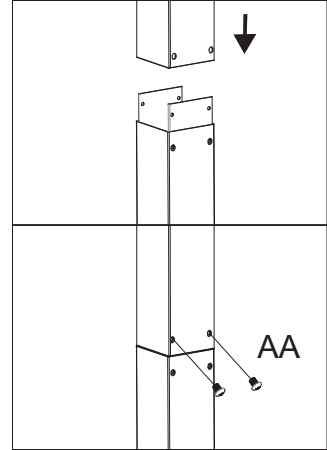
AA \*8

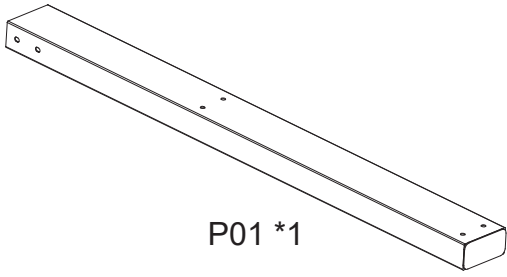
1. Use AA screws to secure A02 and B02 to A01 and B01.



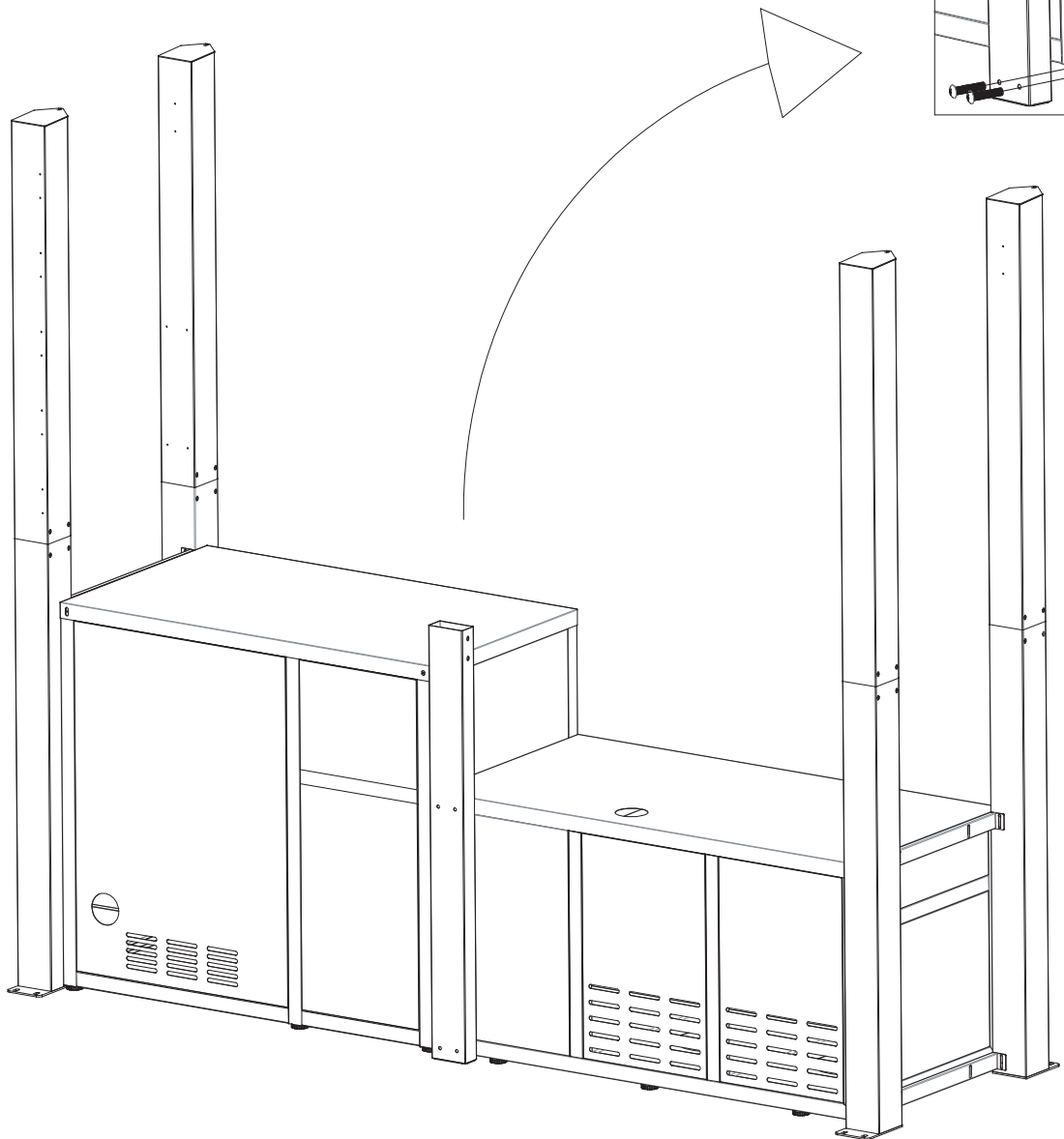
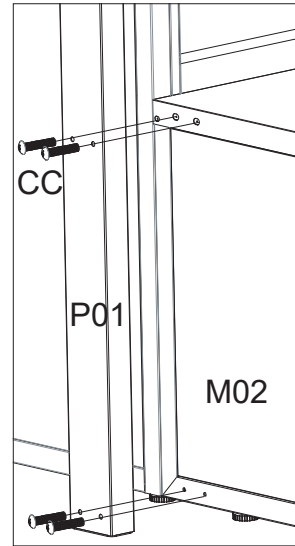


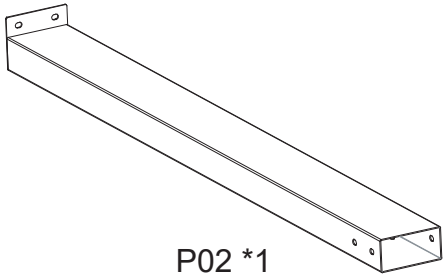
1. Use AA screws to secure C02 and D02 to C01 and D01.



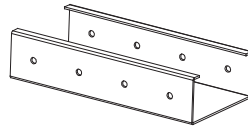


1. Use CC screws to secure P01 to M02.





P02 \*1



P03 \*1

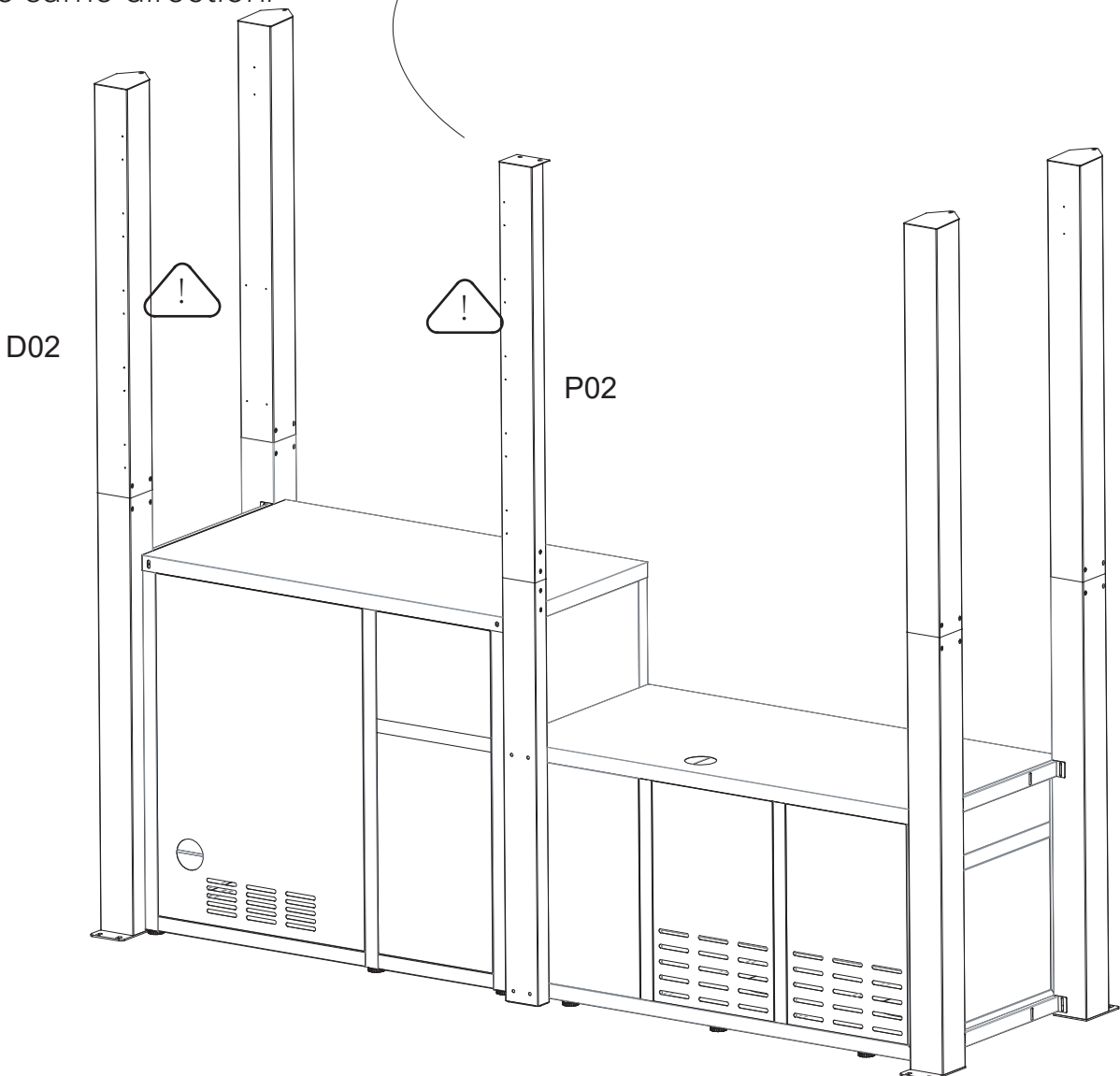
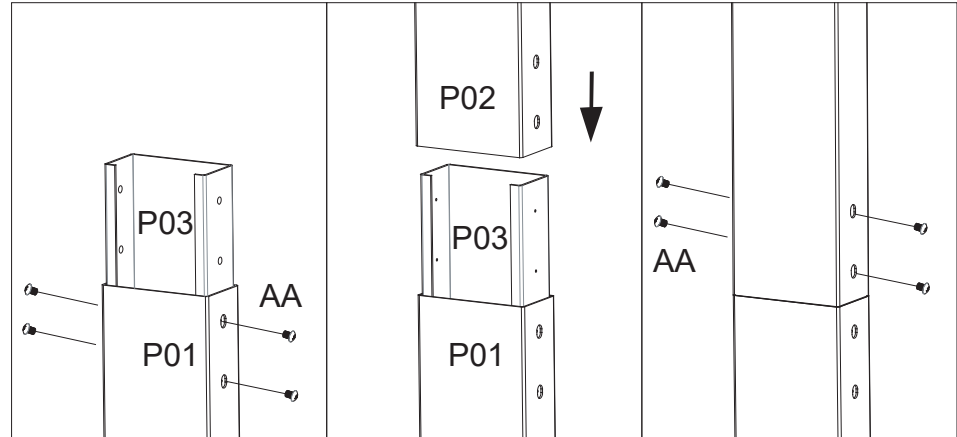


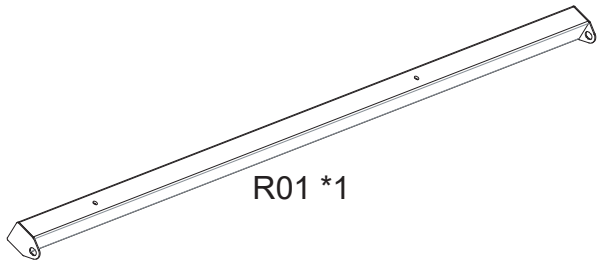
AA \*8

1. Use AA screws to secure P03 to P01.

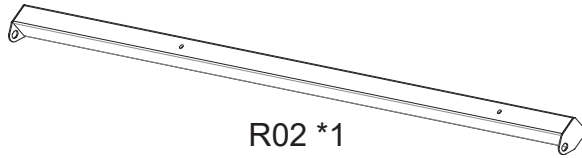
2. Use AA screws to secure P02 to P03.

Important: Ensure that the holes of P02 and D02 are facing the same direction.

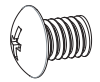




R01 \*1



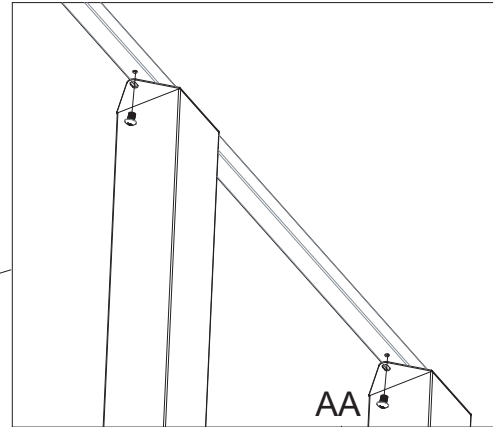
R02 \*1



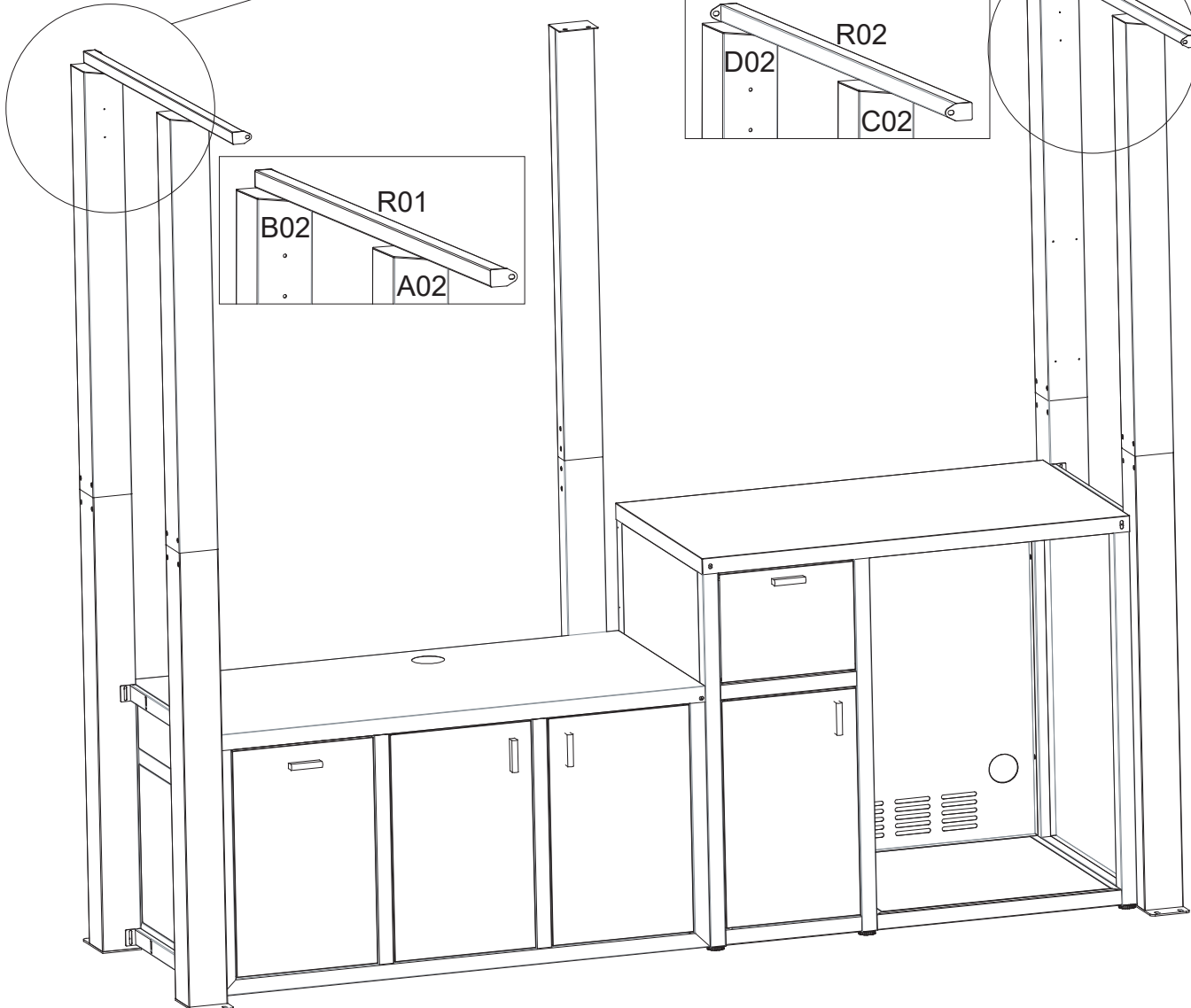
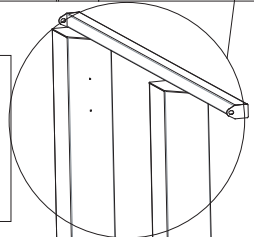
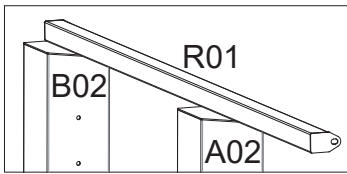
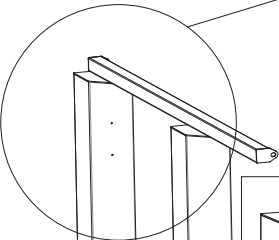
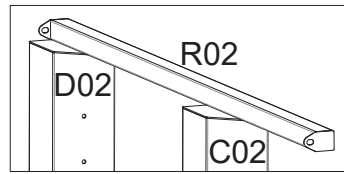
AA \*4

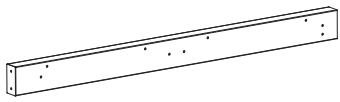
1. Use AA screws to secure R01 to A02 and B02.

2. Use AA screws to secure R02 to C02 and D02.

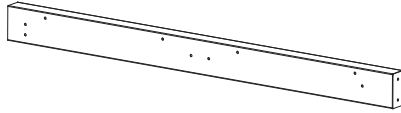


AA

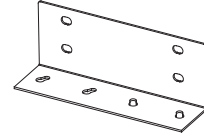




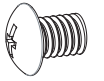
Q01 \*2



Q02 \*2

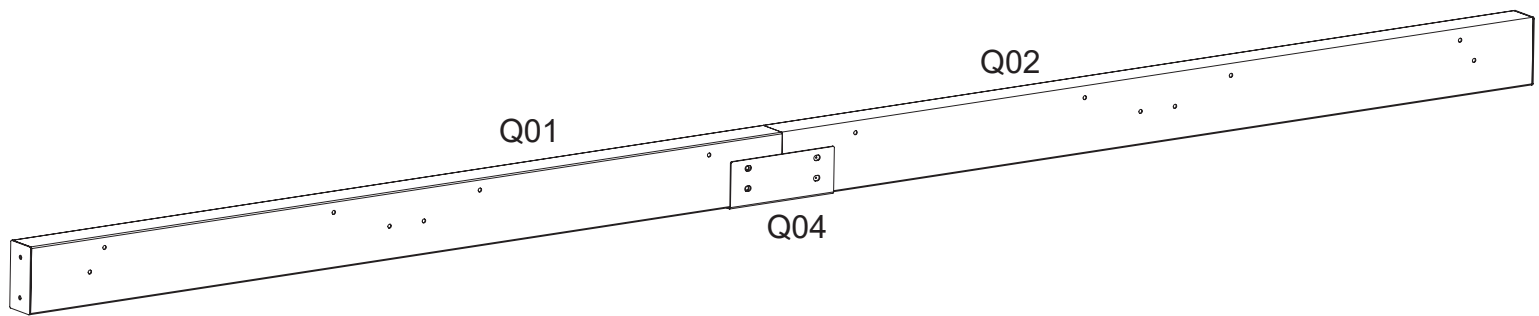
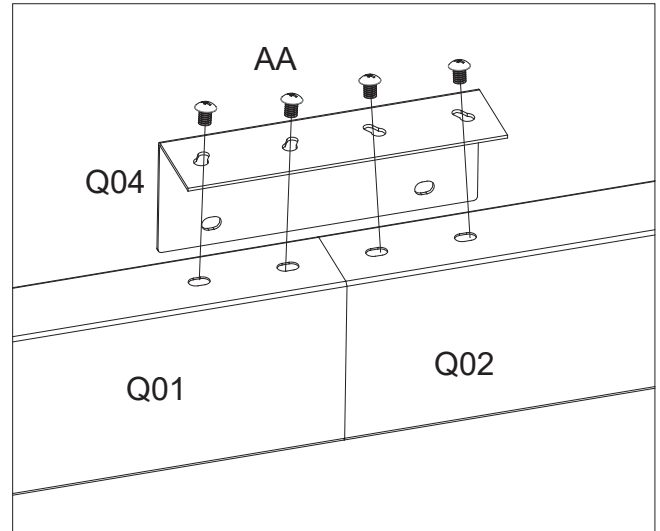


Q04 \*2



AA \*8

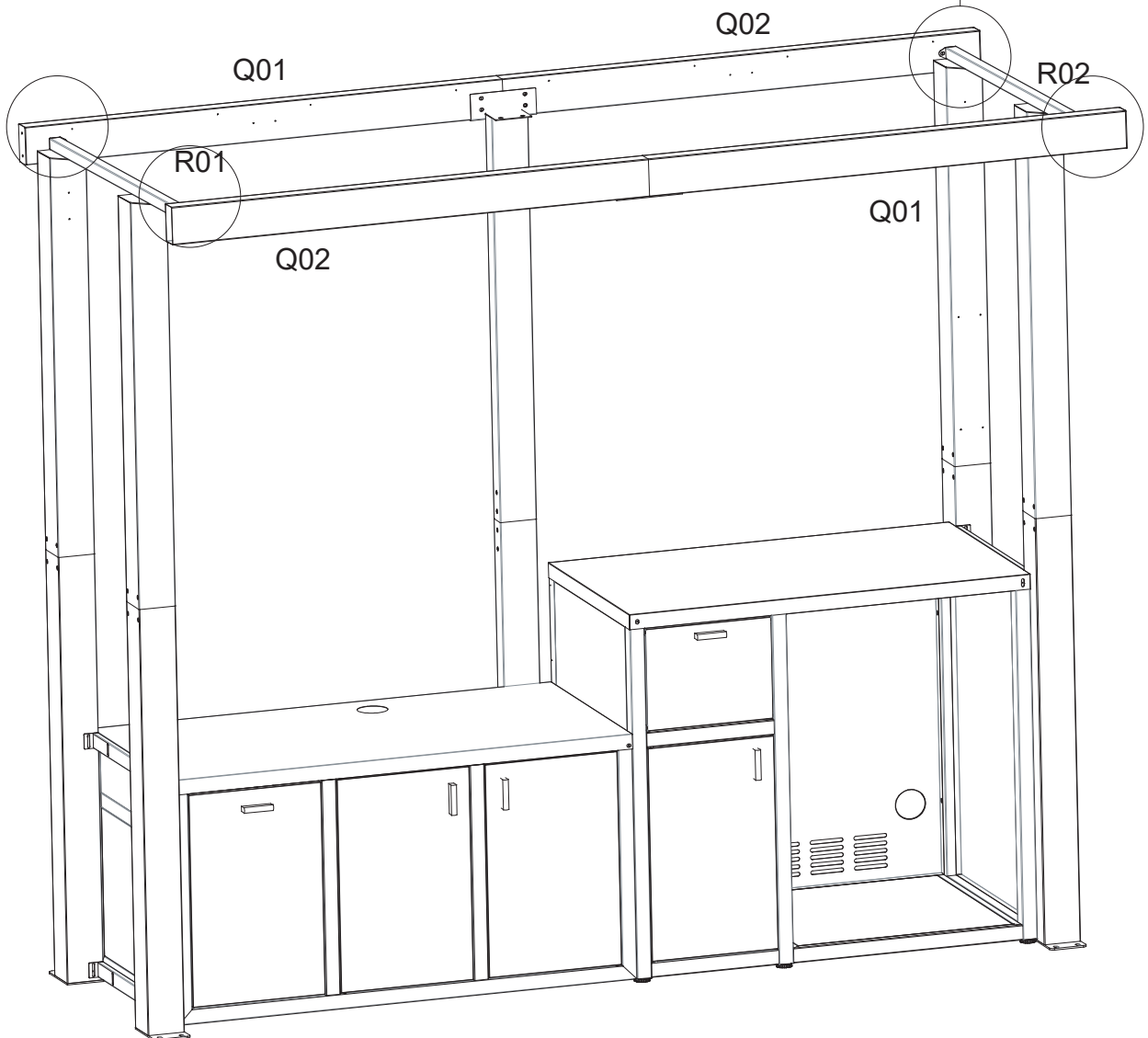
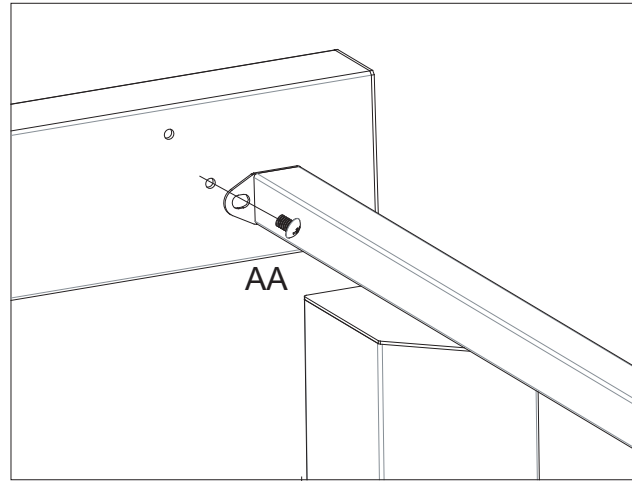
1. Use AA screws to secure Q04 to Q01 and Q02.

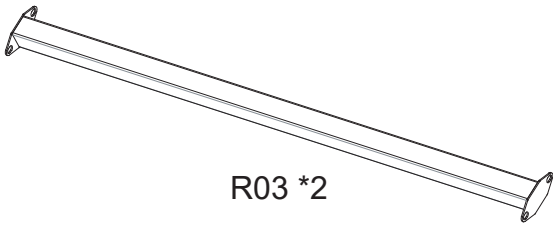




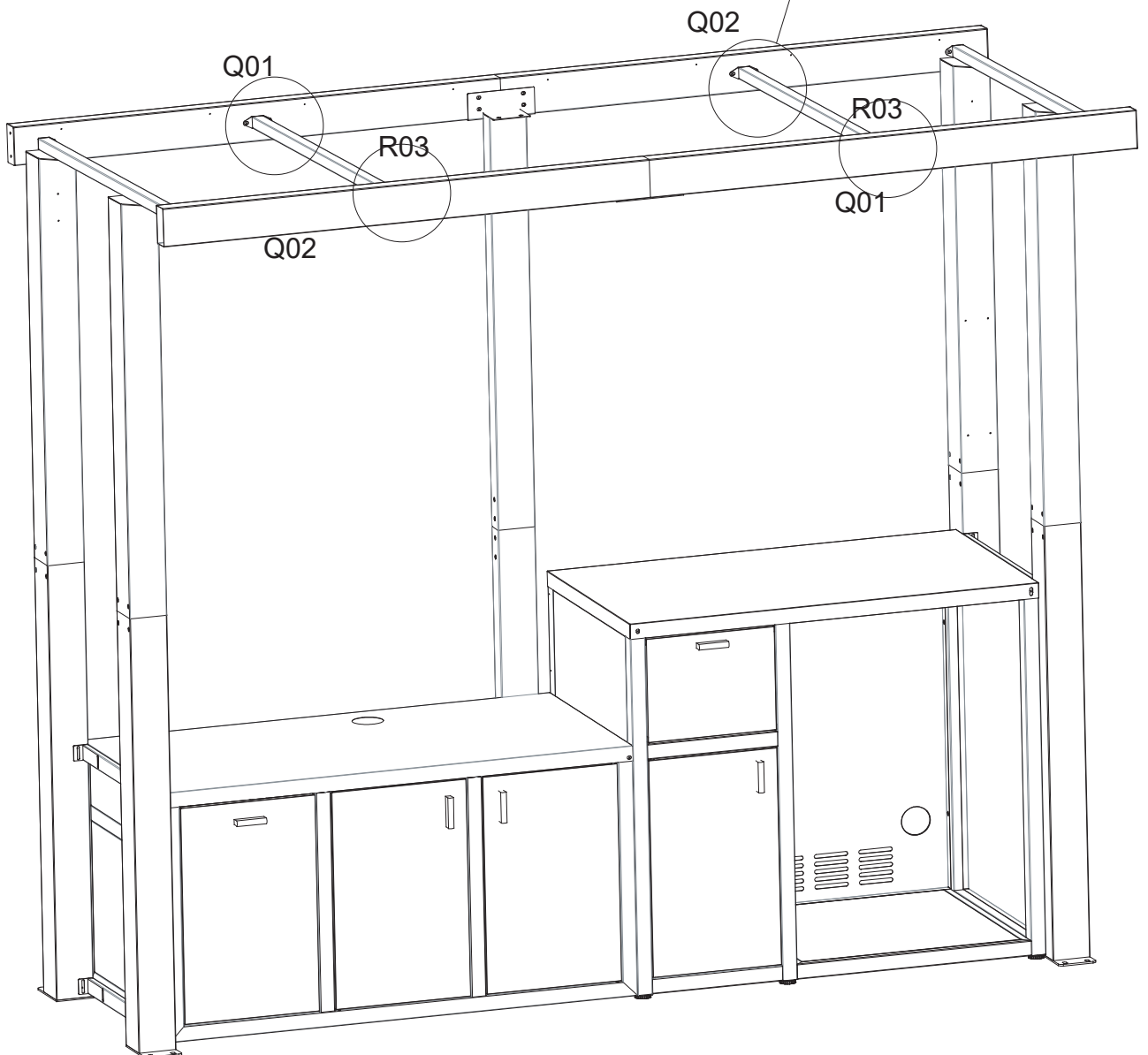
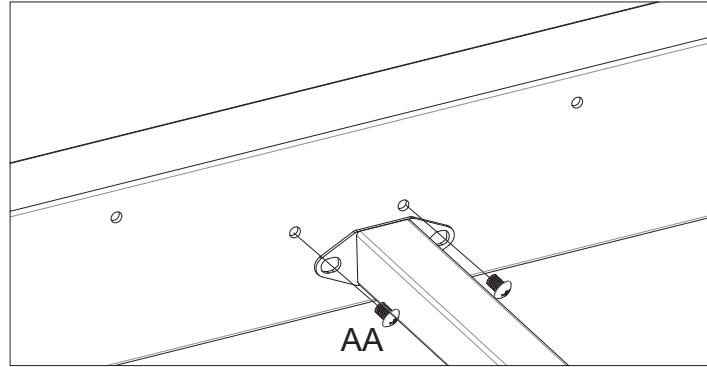
AA \*4

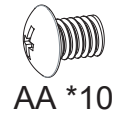
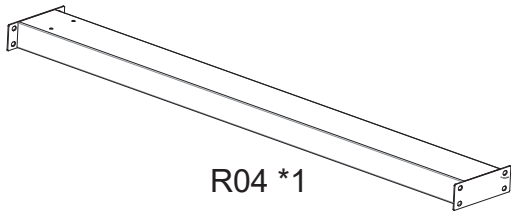
1. Use AA screws to secure Q01 and Q02 to R01 and R02.





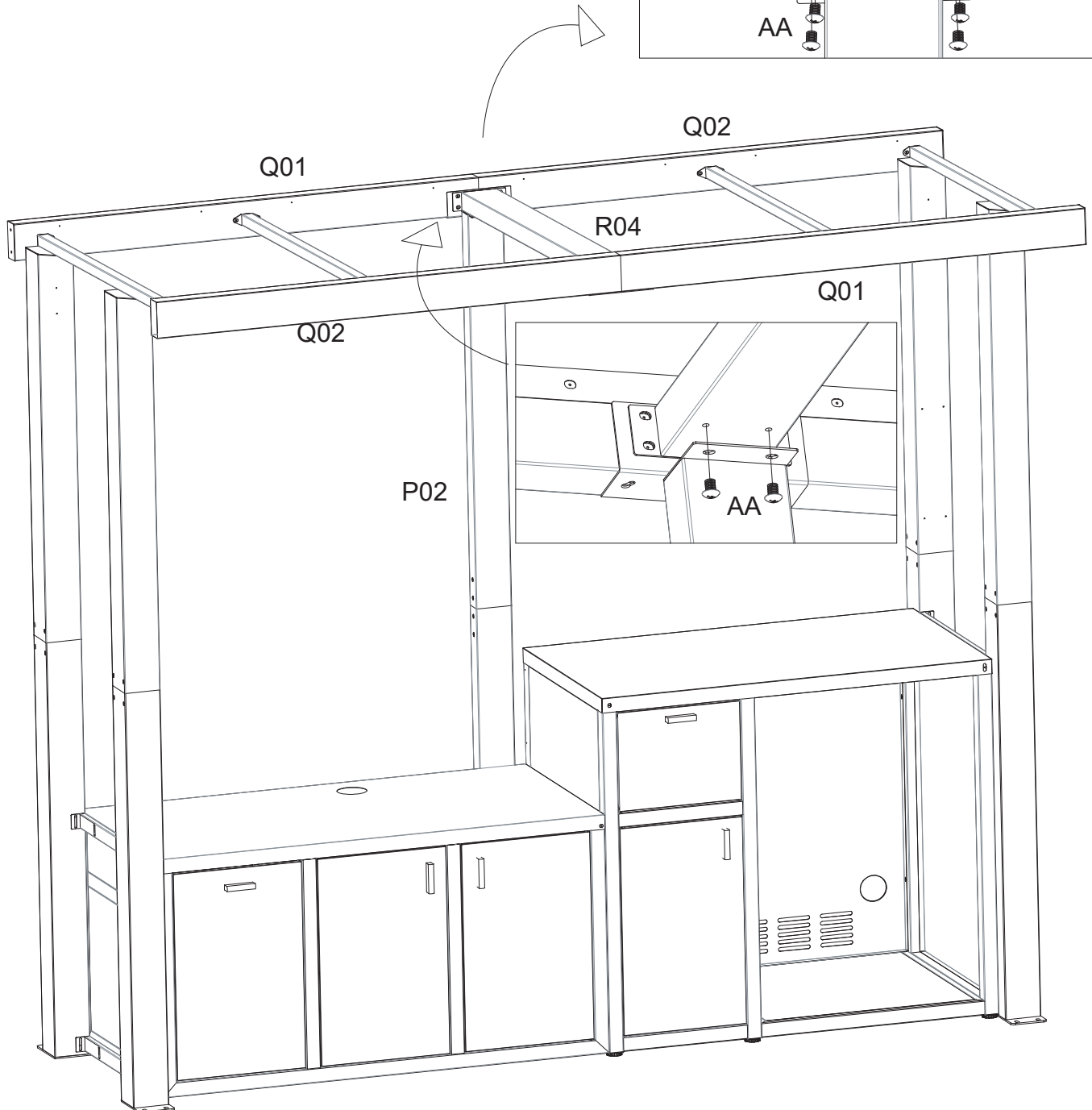
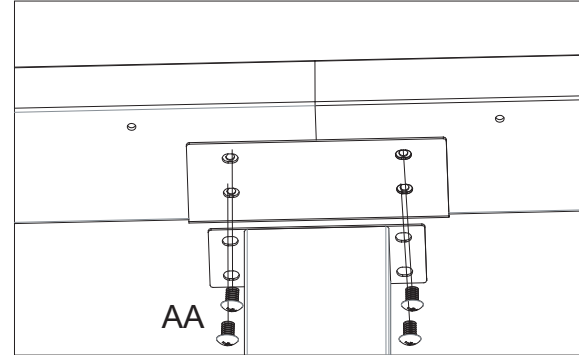
1. Use AA screws to secure R03 to Q01 and Q02.

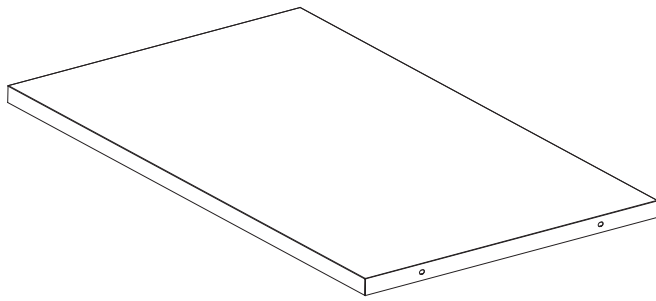




1. Use AA screws to secure R04 to Q01 and Q02.

2. Use AA screws to secure P02 to R04.



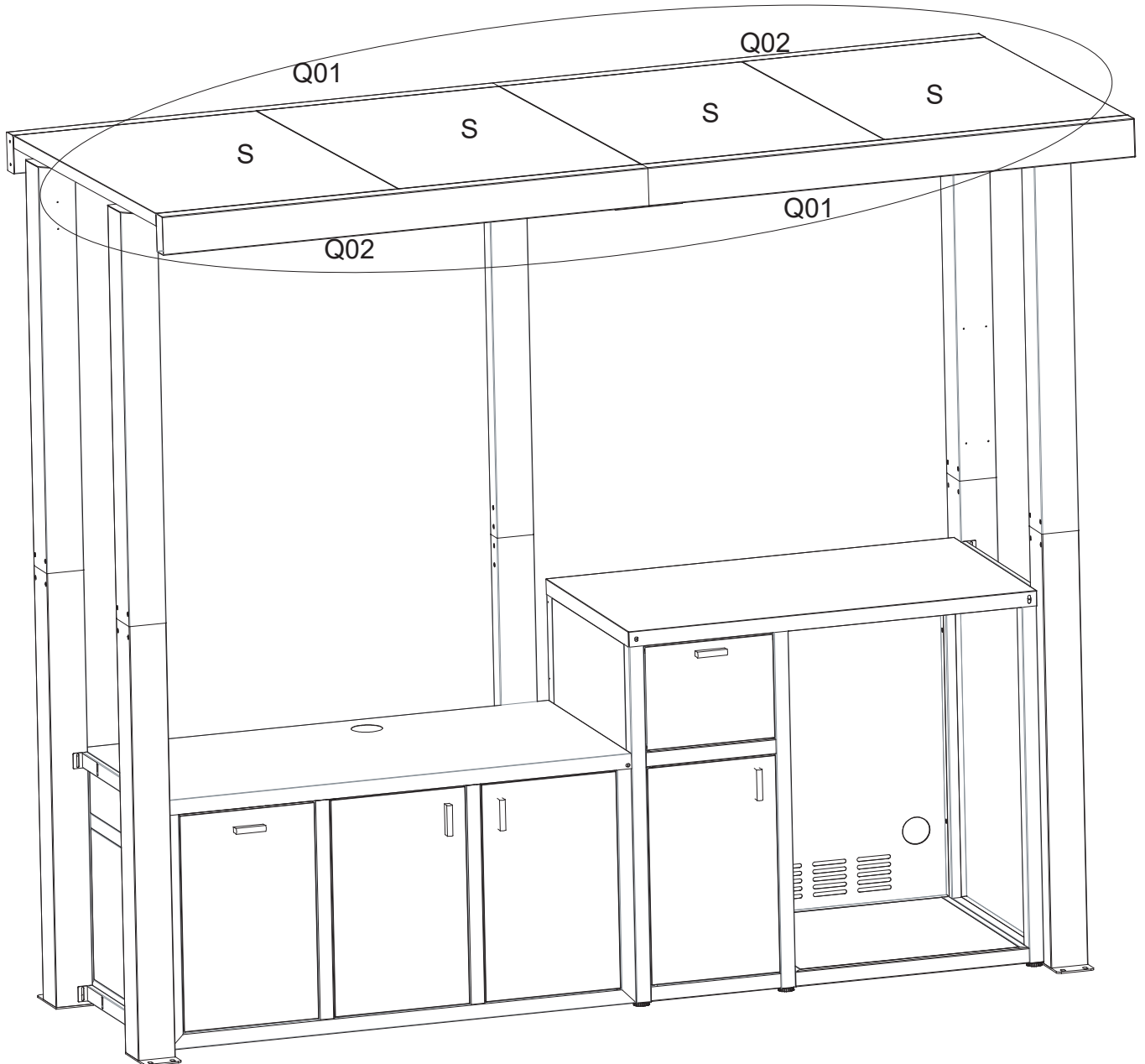
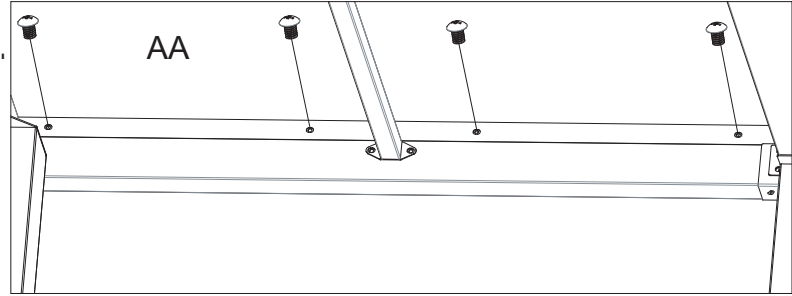


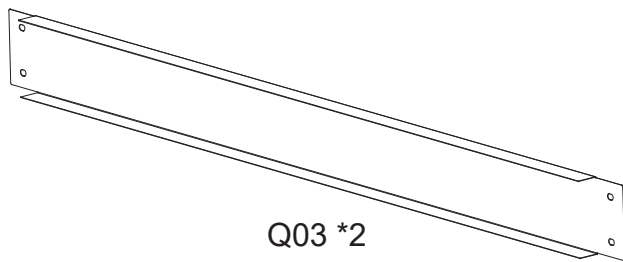
S \*4



AA \*16

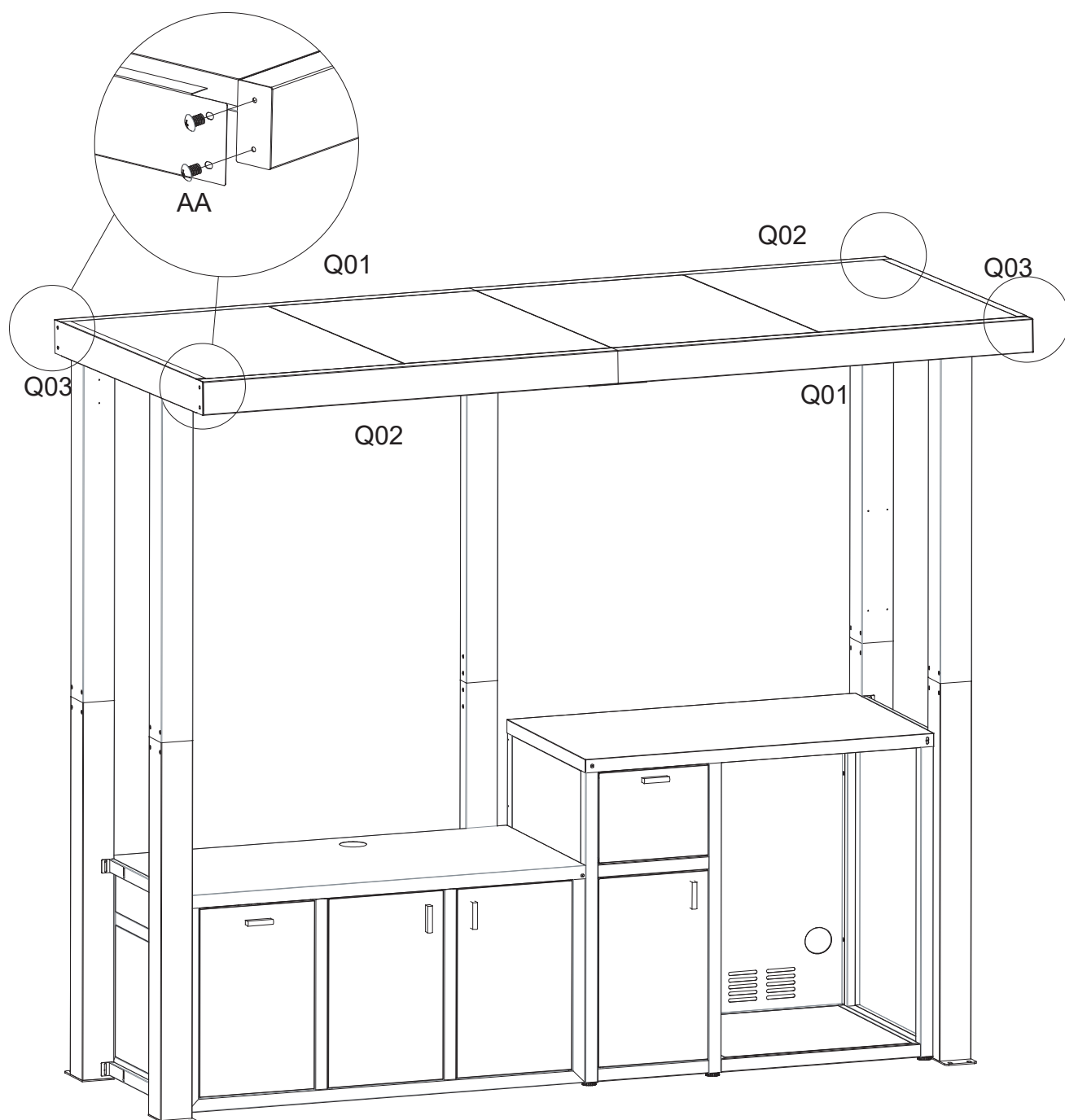
1. Use AA screws to secure S to Q01 and Q02.

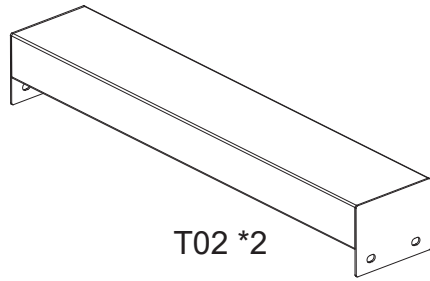
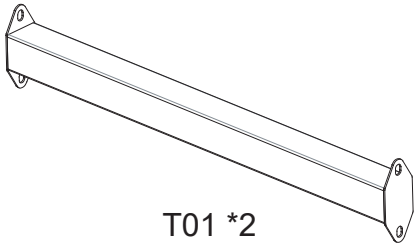




AA \*8

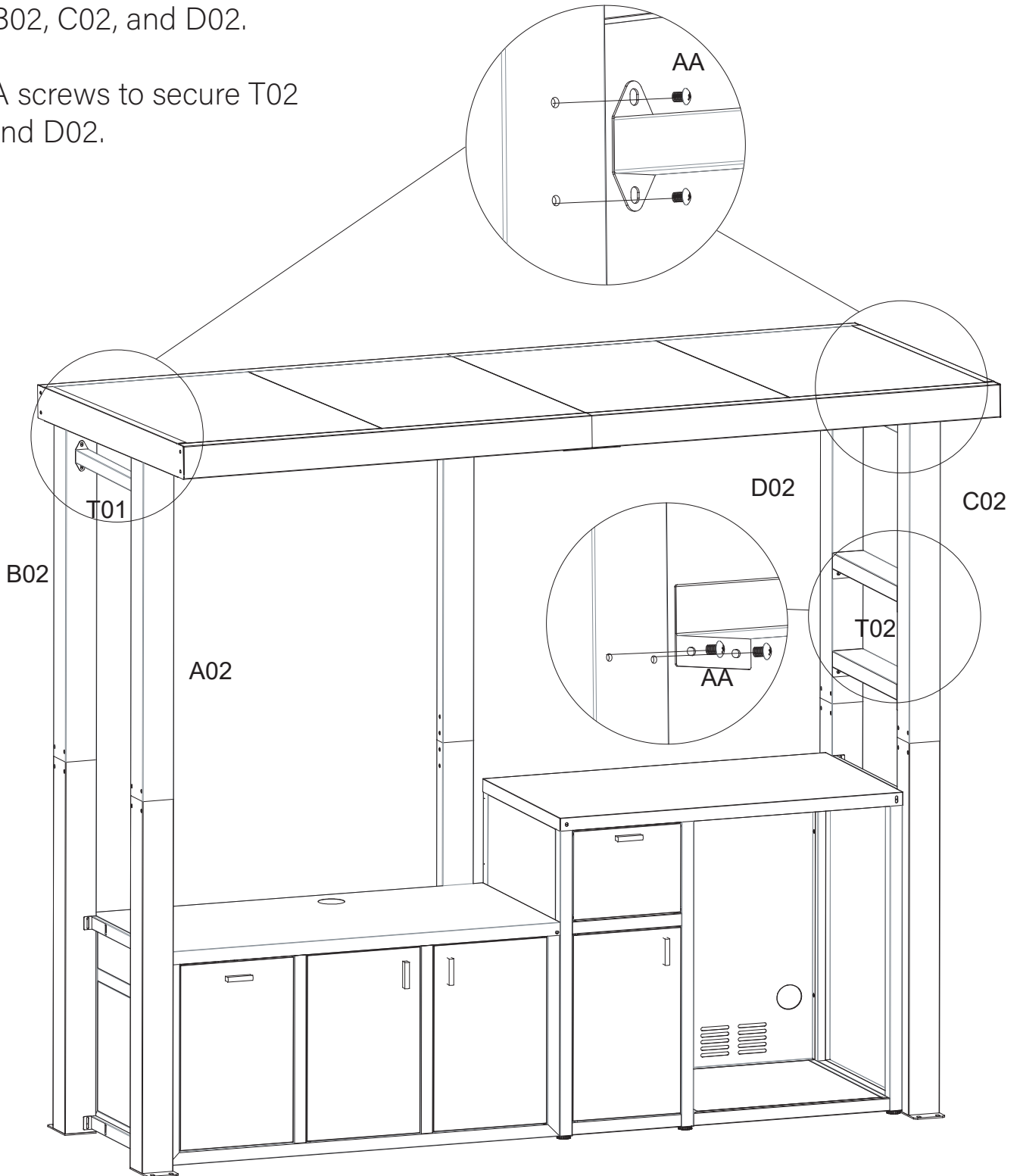
1. Use AA screws to secure Q03 to Q01 and Q02.

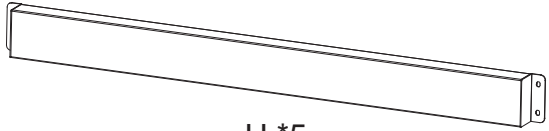




1. Use AA screws to secure T01 to A02, B02, C02, and D02.

2. Use AA screws to secure T02 to C02 and D02.



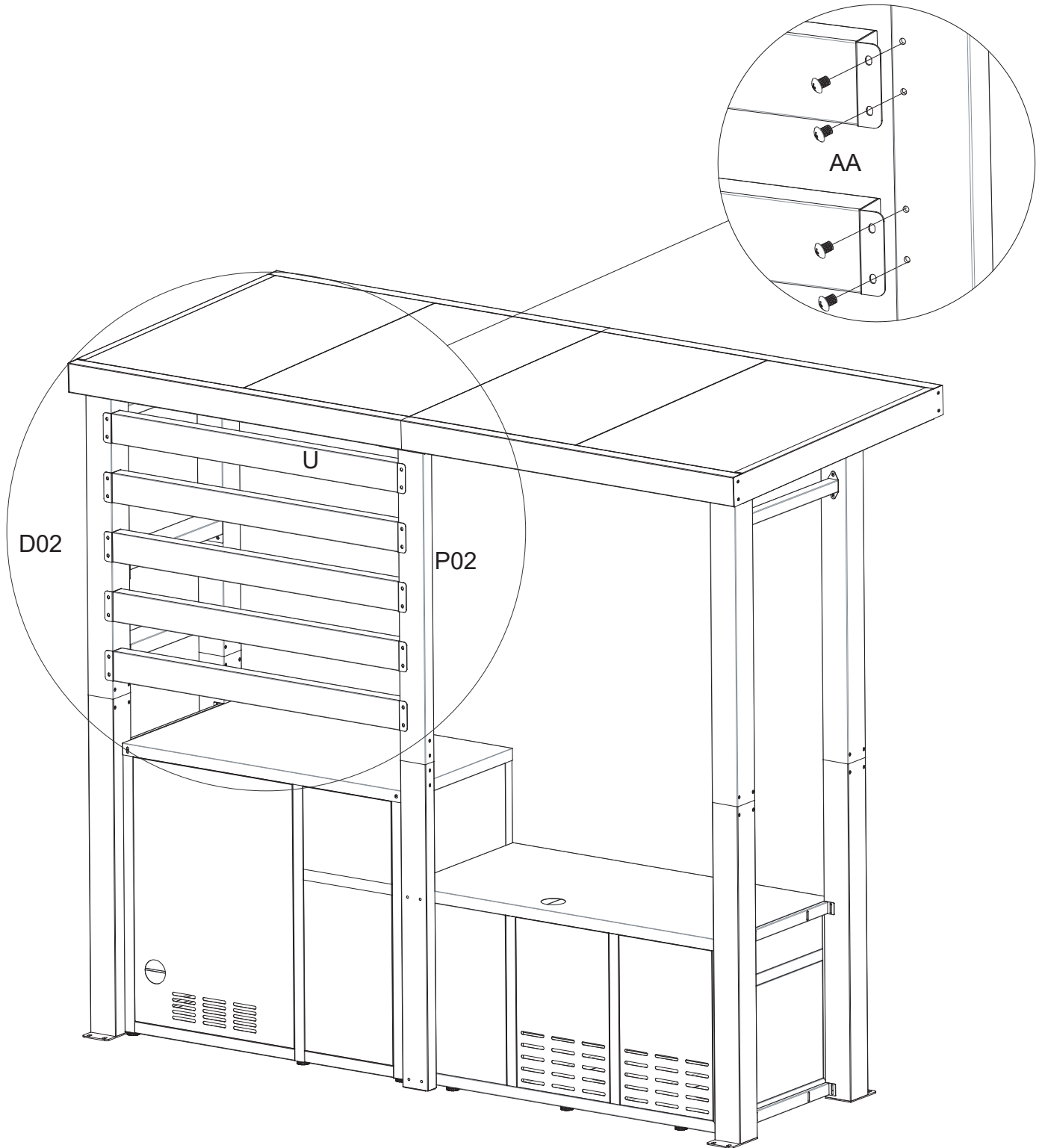


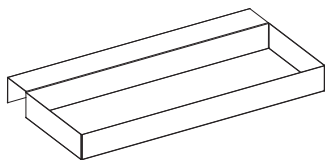
U \*5



AA \*20

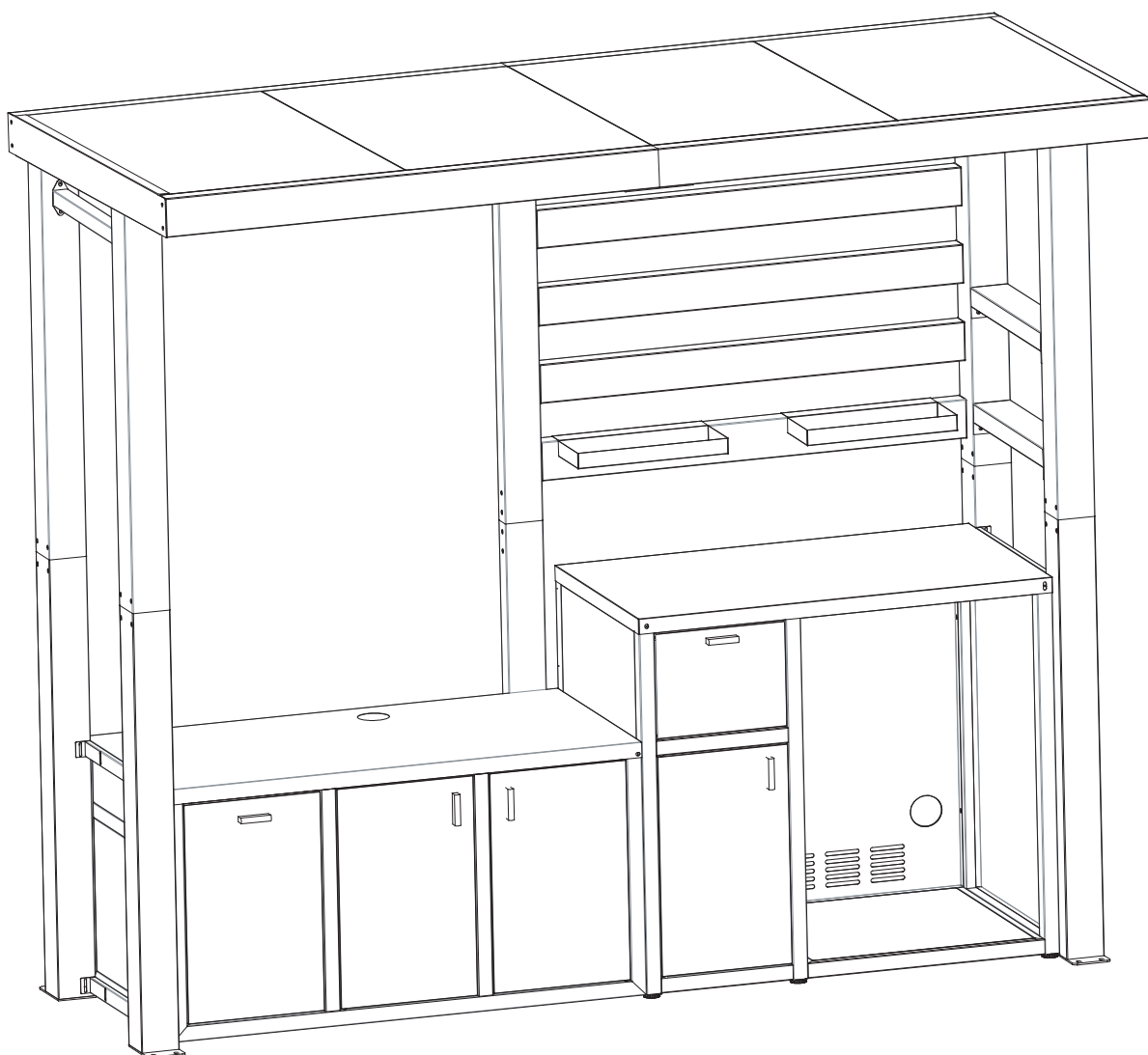
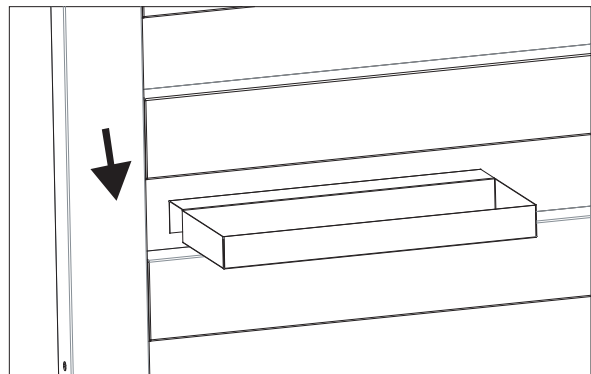
1. Use AA screws to secure U to D02 and P02.

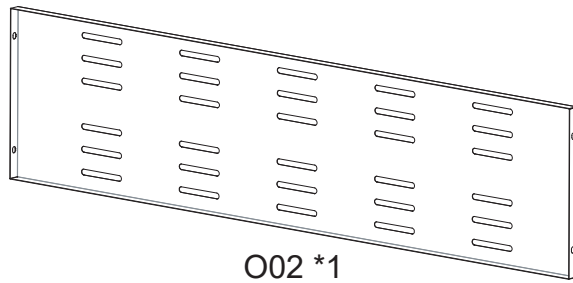




Z \*2

1.Snap Z onto U. You can choose the position freely.



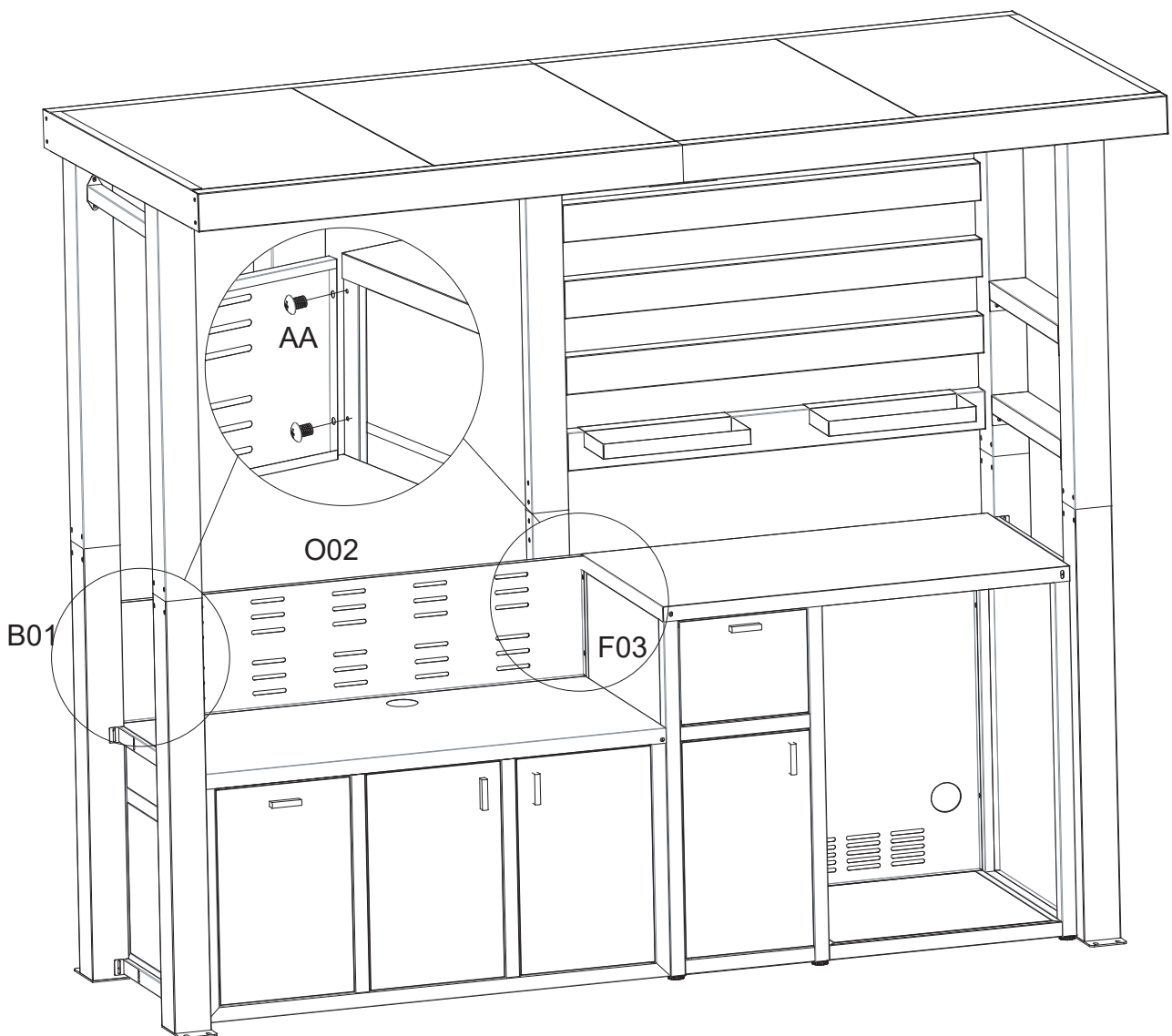


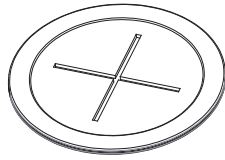
O02 \*1



AA \*4

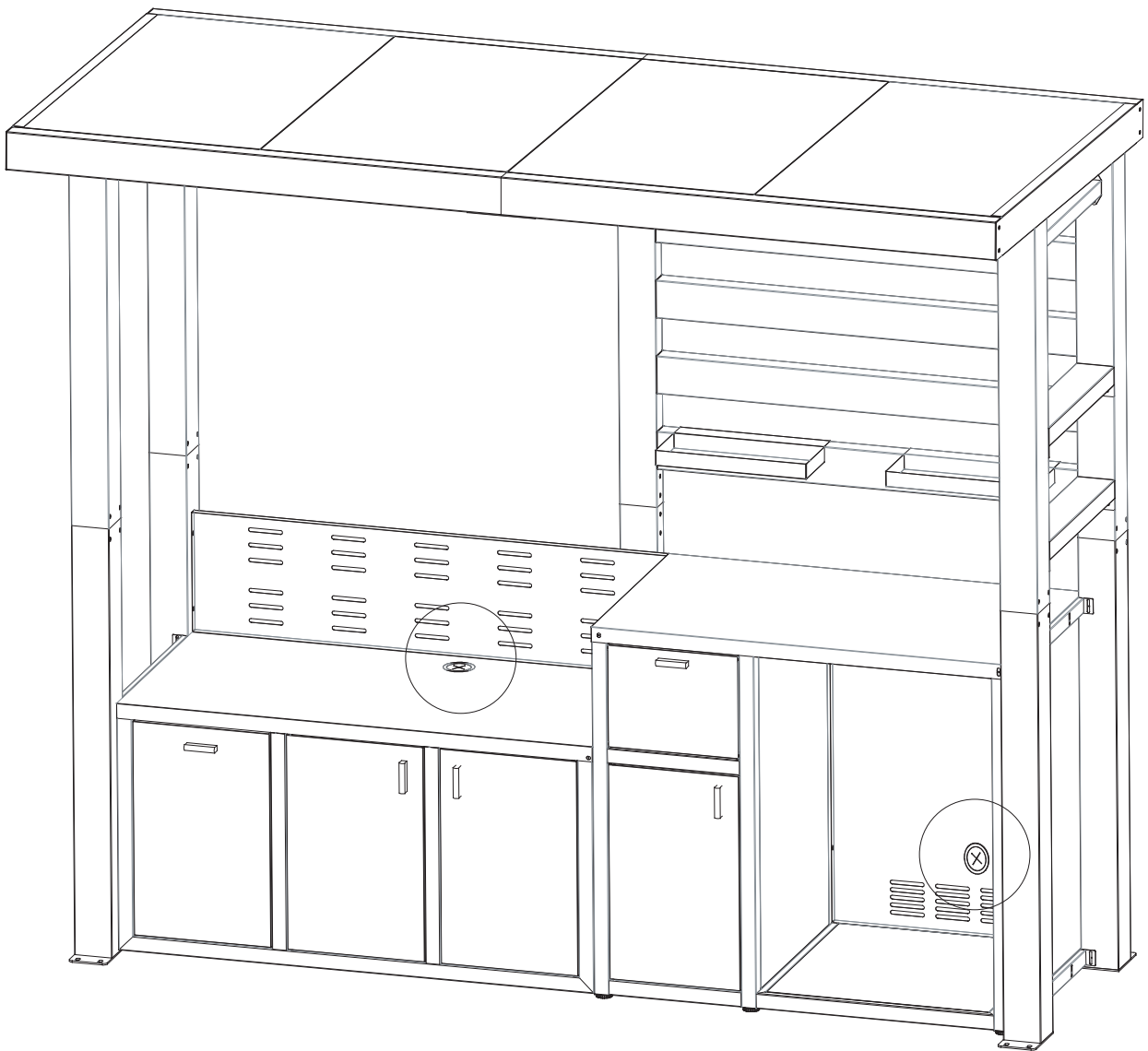
1. Use AA screws to secure O02 to B01 and F03.





Y \*2

1. Install Y in the position as shown.



# WARRANTY

## WARRANTY CLAIMS

- There is a 30-day warranty for broken furniture or any other problems that do not work properly. The warranty will start from the date of purchase which must be verified by proof of purchase.
- Before making a claim, we may be able to answer your query, simply call us. Please leave your purchase order number, along with some details of the problem, if you want a replacement part. We will arrange within 48 hours. If there is out of stock, we will reply with a shipping date.
- The product must be used in accordance with the instructions provided. For health reasons.
- For other reasons, if the furniture needs to be returned, it must be cleaned and dried and operated within 30 days of receipt.

## Type of Warranty Claim

- Failure to follow the furniture instructions will invalidate the warranty. Attention please.
- Does not include damage during installation, but includes damage during transportation.

## Scope of responsibility

- Shall not bear any responsibility for misuse or user damage and / or loss of parts during the installation of furniture.
- After using, the damage and scratches of the furniture are not covered by the warranty.

## The Warranty Relates to All Bought in The Us and Covers The Following Areas

- Sheet parts: 1 month from the date of purchase.
- Electrical parts: 1 month from the date of purchase.

# RETURNS

## CHANGED YOUR MIND AND NEED TO RETURN YOU ITEM?

### PLEASE FOLLOW THE BELOW INSTRUCTIONS:

- If you have purchased and have simply changed your mind, follow the retailer's instructions for returns.

### DEFECTIVE ITEMS

- If your item is defective in any way, i.e. it doesn't work but you can't identify why, in the first instance, please call us.

### DAMAGED ITEMS

- If you receive an order with obvious shipping damage from the retailer, then we suggest the delivery is refused. If the delivery has been accepted and then shipping damage is found, please follow the specific instructions advised by the retailer.  
In all circumstances please save all packaging material and paperwork for the order. Please be aware that if you dispose of packaging material or attempt to return the merchandise without contacting the fulfiller, you jeopardise your chances of making a claim, and you may not receive a credit for the return.

### AFTER-SALES CONTACT



adelahu@fufugaga.com



208-820-0068  
208-820-0799