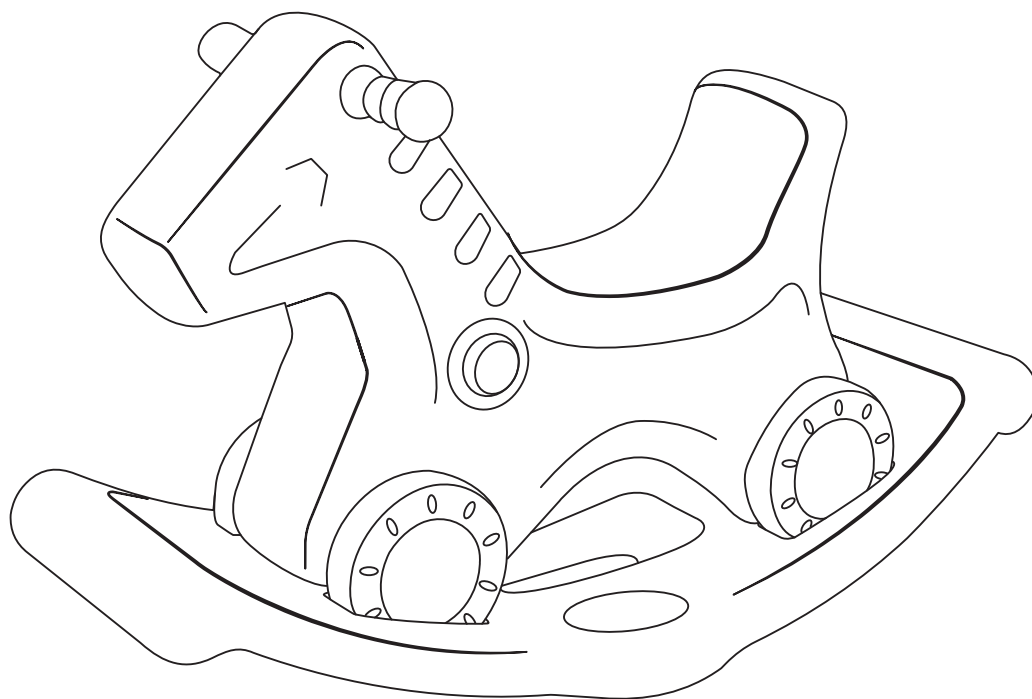




INfia002_US_CA

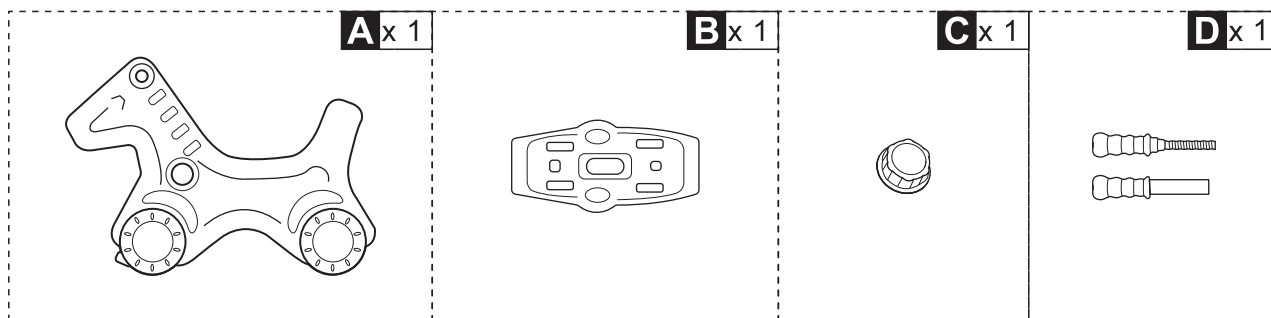
330-131



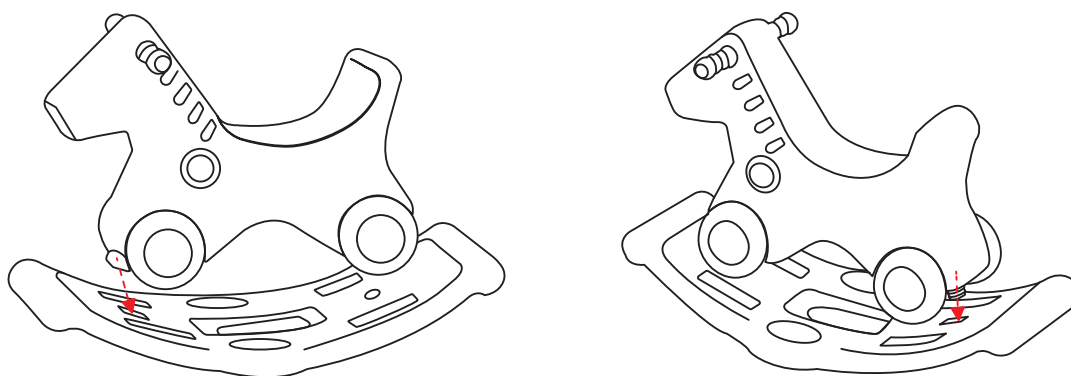
**Age for 12M +
Âge pour 12M +**

IMPORTANT, RETAIN FOR FUTURE REFERENCE: READ CAREFULLY

ASSEMBLY INSTRUCTION

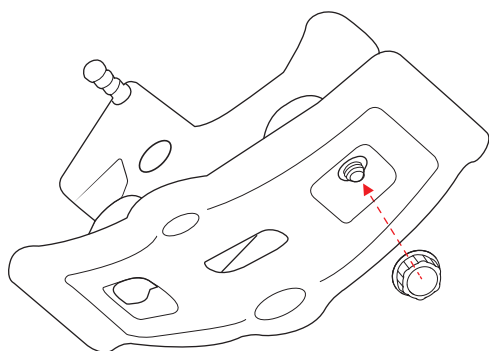


01



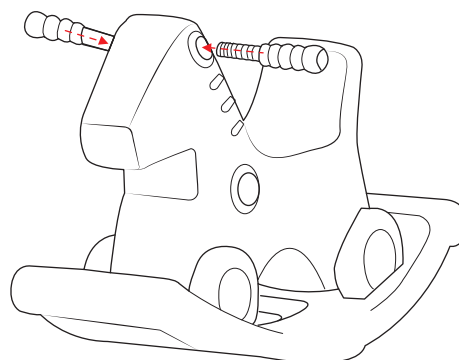
1. Insert the square hole on the front of the rocking horse body into the corresponding square hole on the bottom plate, and then into the round hole on the tail.

02



2. After the rocking horse body is fitted to the bottom, tighten the round nut at the tail.

03



3. Insert the handles into the corresponding holes on both sides of the rocking horse and tighten them to complete the assembly.

Method of use

- Rocking horse mode: After sitting on the rocking horse, hold the handle with both hands, and the center of gravity of the body moves back and forth with the rocking horse to play.
- Scooter mode: After sitting on the scooter, push your legs back, or play with the push of an adult.

Maintenance

Wipe with a soft cloth and let dry in a cool and ventilated place. Do not wipe with acidic or alkaline liquid. Do not expose to high temperature.

Warm prompt

Please regularly or irregularly check whether the connections of the toy components are firm.



Warning!

- Please read the instruction carefully before use and keep it for future reference.
- Use under direct adult supervision. Caregivers must not leave while children are playing.
- Before use, please check whether all parts are installed in place and connected tightly.
- Warning! Assembly for adults only. Keep out of reach of children during assembly. To avoid unnecessary damage to products or assemblers, ensure that all parts are installed in place before use.
- Wear protective equipment (helmets, gloves, knee pads, elbow pads, etc.).
- Since the use of this product requires greater skill, this product should be used carefully to prevent the user and third parties from being injured by falling and impact.
- This product is suitable for entertainment and leisure places such as living rooms, communities, squares, parks, and entertainment parks.

Do not use on uneven ground, streets, and public transportation roads to avoid danger.

- This product is for one child only. Not suitable for children weighing more than 25kg. Regular cleaning, maintenance and inspection must be carried out during use.
- Do not allow children to play with disintegrated, damaged, or deformed products to avoid accidents such as accidental swallowing, suffocation, etc. If any part of the product is damaged, broken or missing accessories, please do not continue to use it.
- Store in a cool and dry place, away from all heat and fire sources, and avoid direct sunlight.
- After unpacking, please keep the packaging bag and accessories out of the reach of children to prevent suffocation or other accidents.

US



001-877-644-9366
customerservice@aosom.com

CA



001-855-537-6088
customerservice@aosom.ca

UK



0044-800-240-4004
enquiries@mhstar.co.uk

DE



0049-(0)40-88307530
service@aosom.de

FR



0033-1-84166106
contact@aosom.fr

ES



0034-931294512
atencioncliente@aosom.es

IT



0039-0249471447
clienti@aosom.it