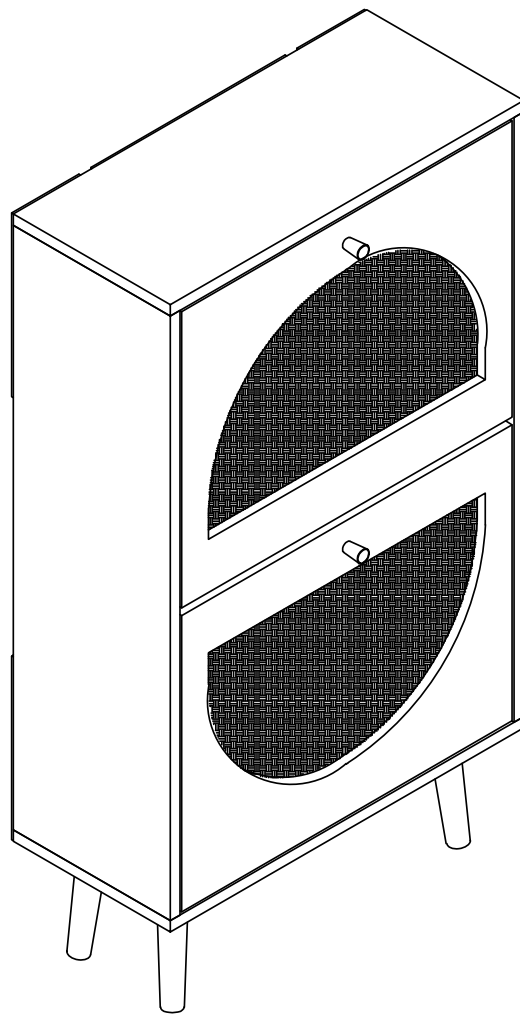
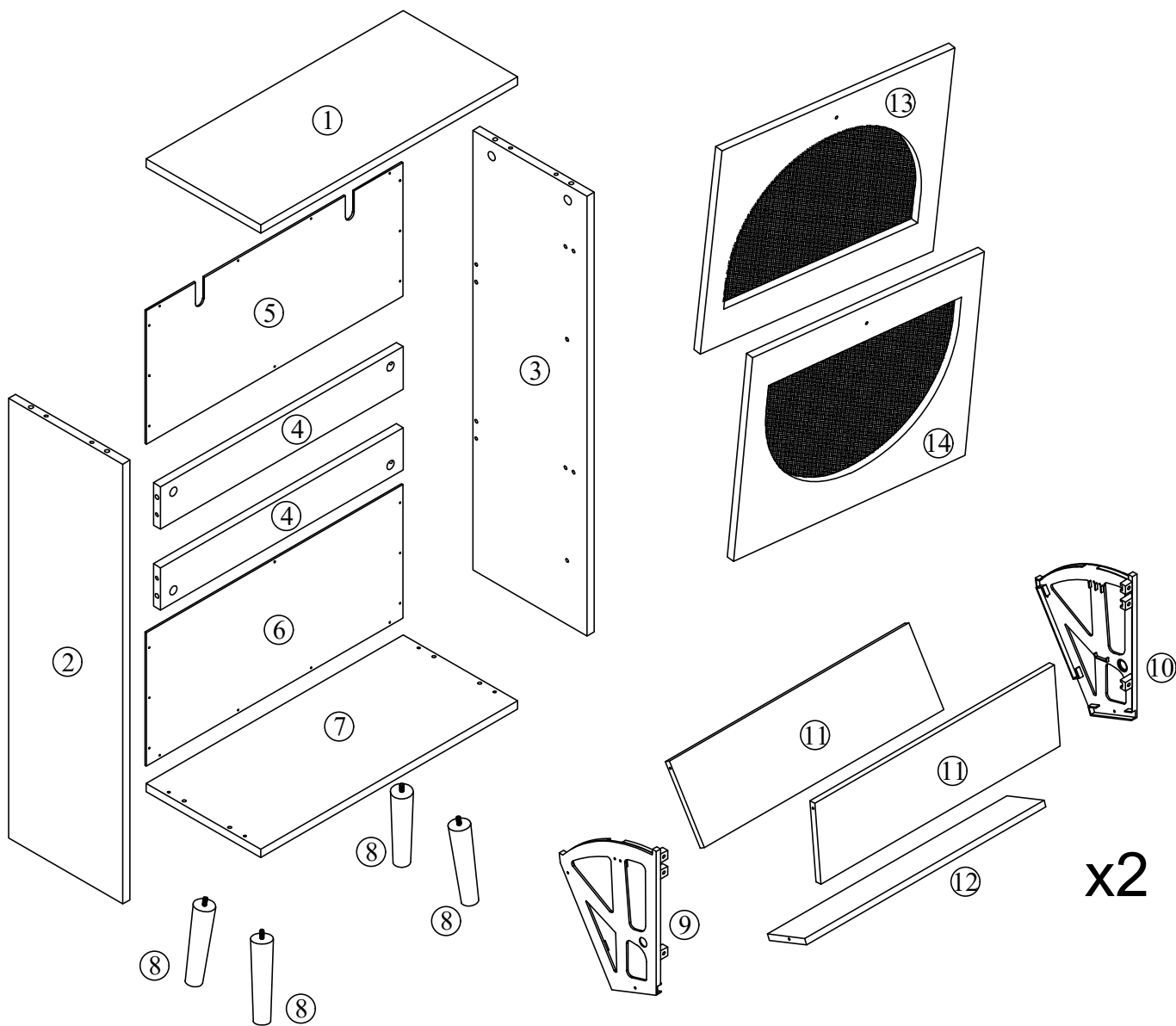
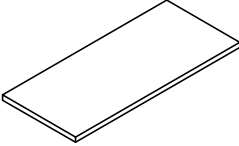
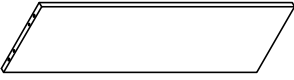
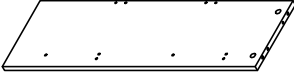
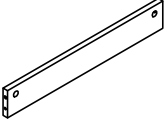
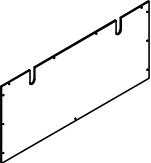
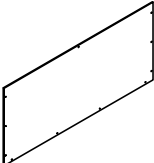
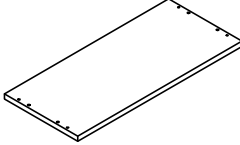

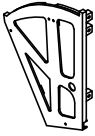
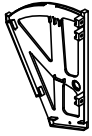
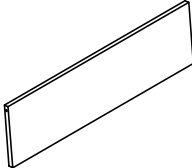
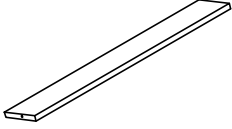
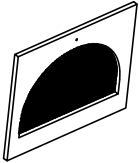
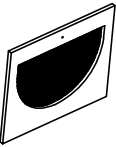
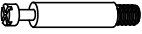






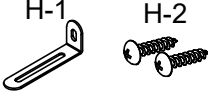

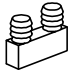








Assembly Instruction

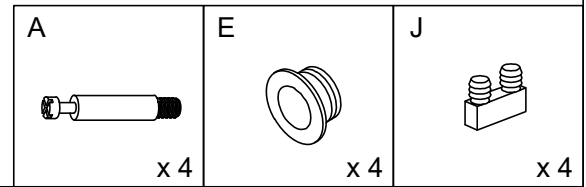
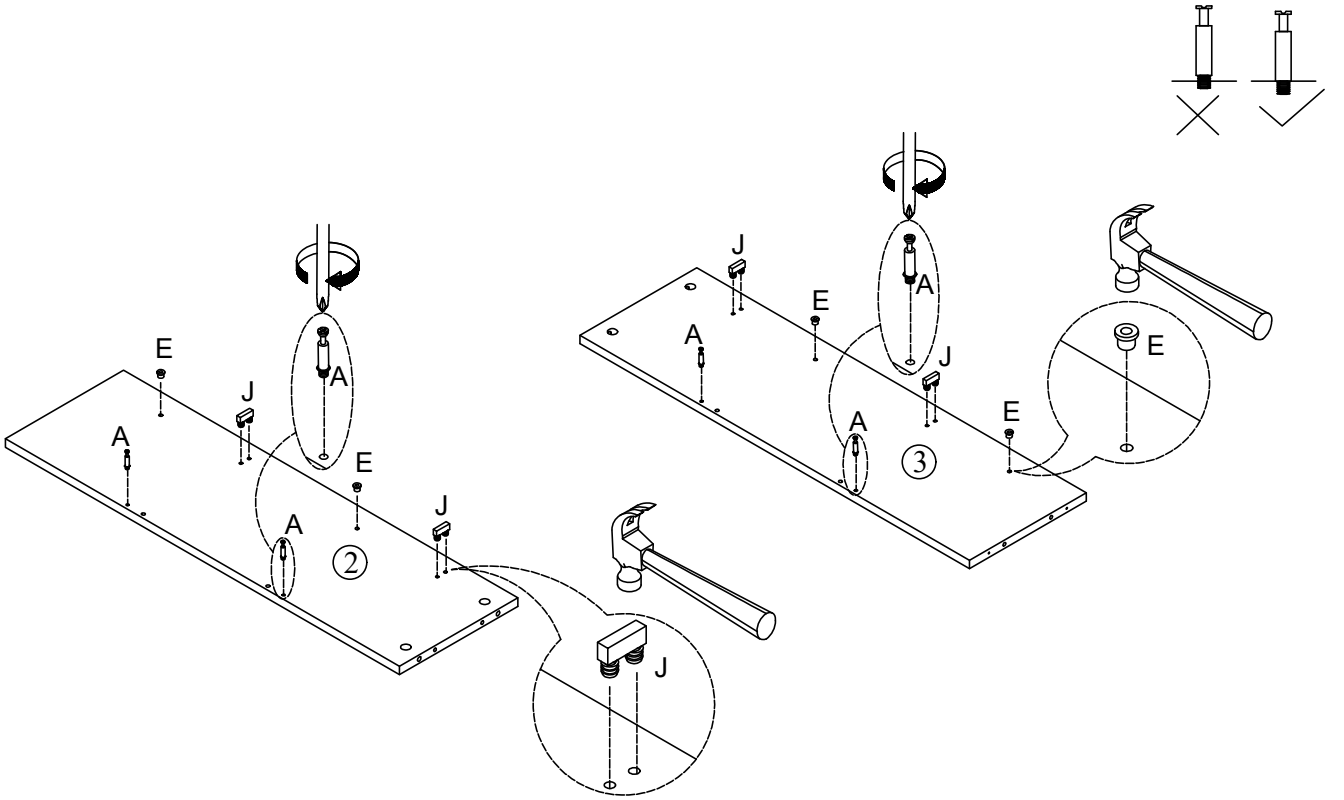




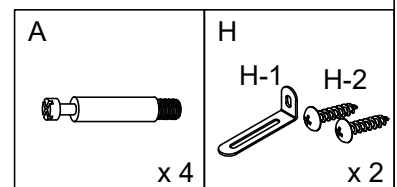
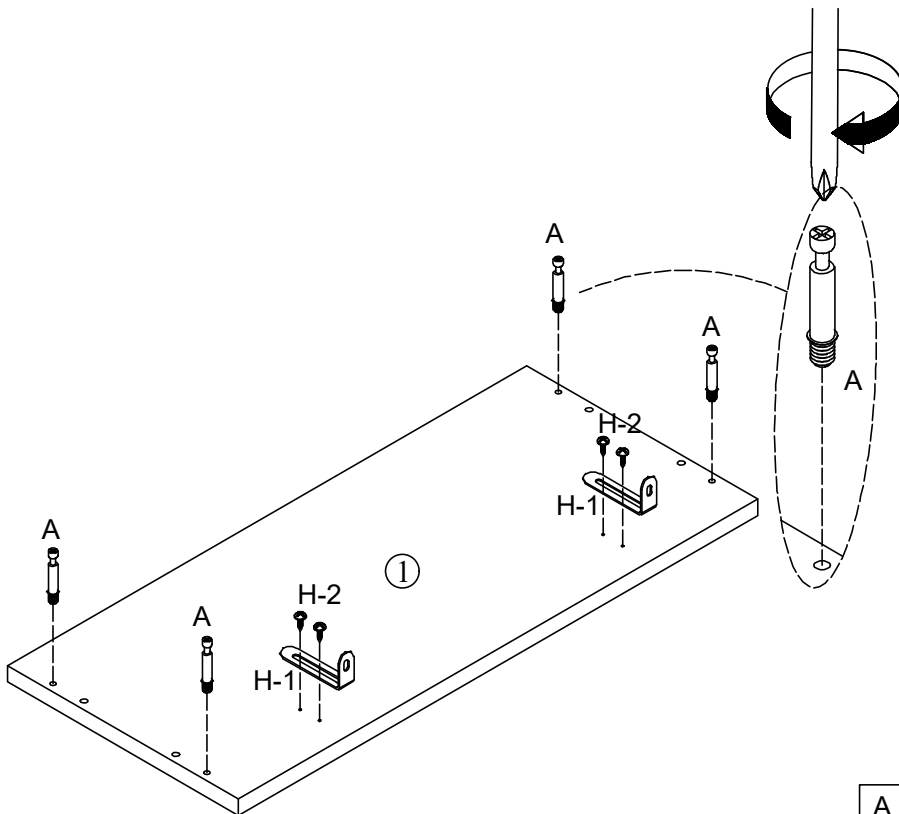
1  539x237x15 x1	2  800x236x15 x1	3  800x236x15 x1	4  507x81x15 x2
5  535x235 x1	6  535x235 x1	7  539x237x15 x1	8  140x38x30 x4
9  x2	10  x2	11  496x135x12 x4	12  496x85x12 x2
13  501x390x12 x1	14  501x390x12 x1		

A  Φ6X35mm x 8+1	B  Φ15X10mm x 8+1	C  Φ6X30mm x 12+1	D  18X11mm x 4	E  23X10mm x 4
F  Φ5X40mm x 4	G  Φ4X12mm x 20+1	H  Φ4X12mm x 2	I  Φ2X15mm x 22+5	J  27X17mm x 4
K  Φ4X16mm x 2	L  70X65mm x 4	M  Φ4X45mm x 2	N  Φ4X8mm x 4	O  Φ3.5X14mm x 24+1
P  x 5				

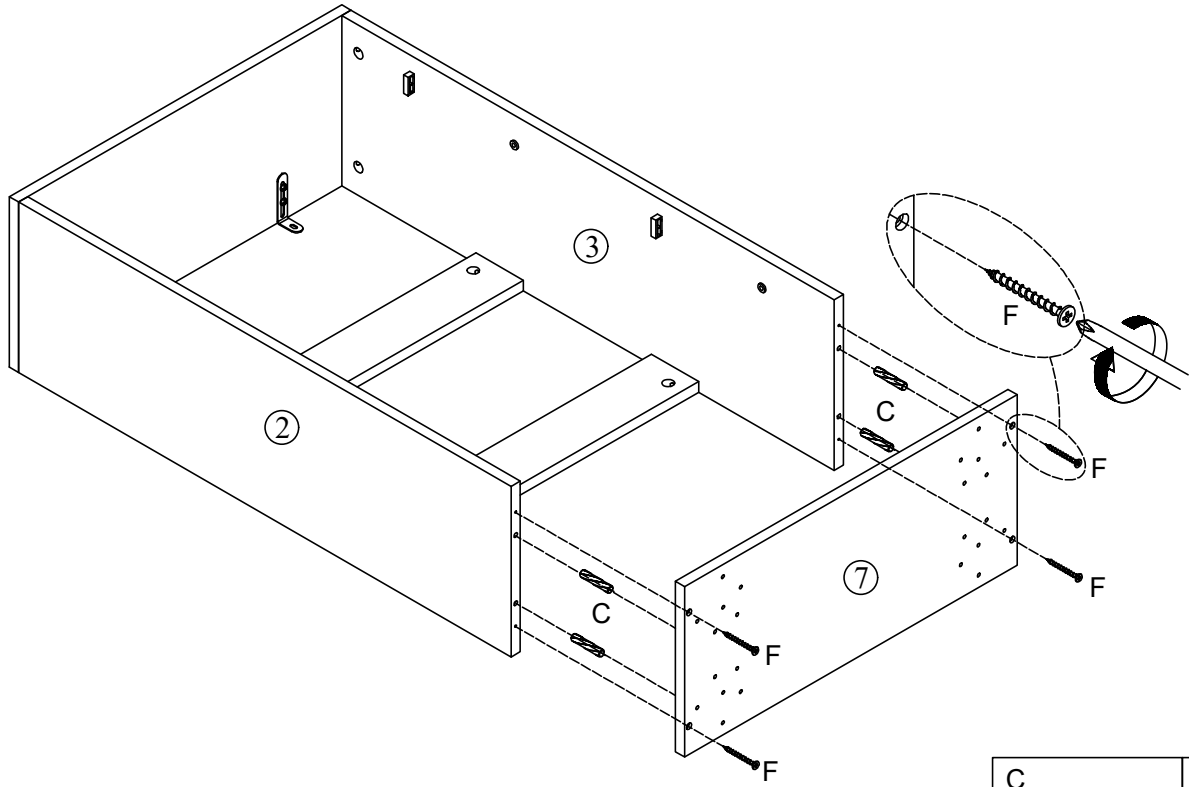
1





2

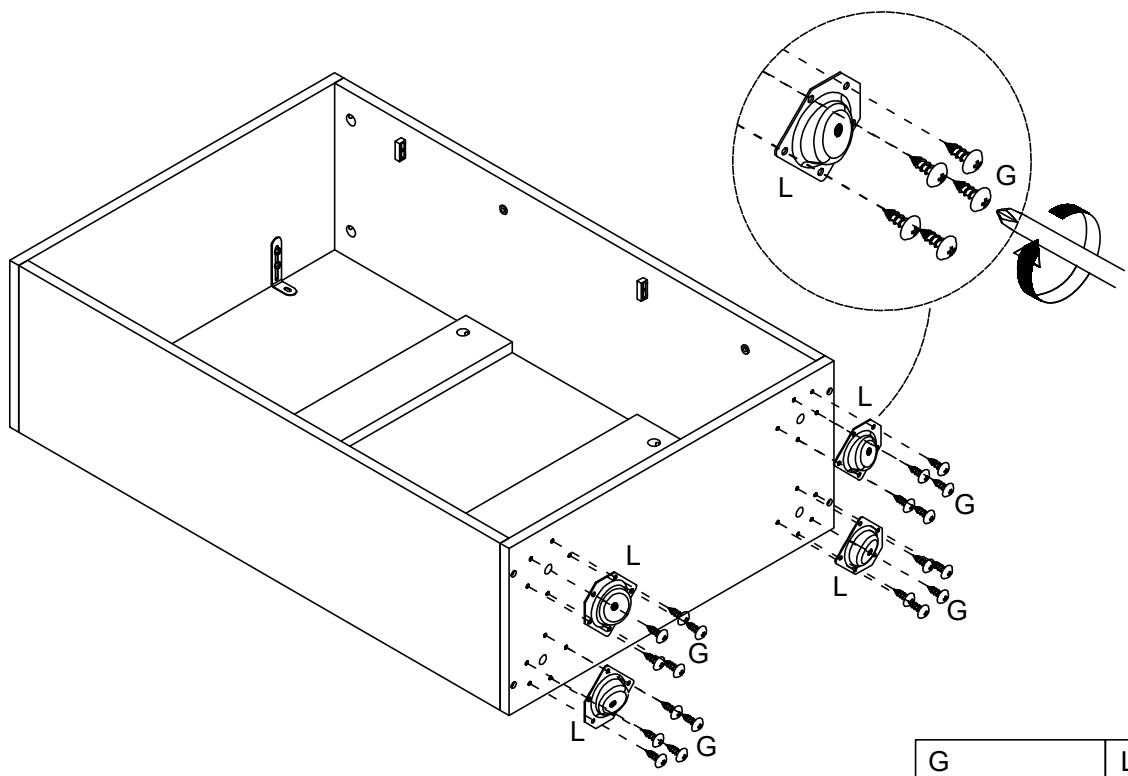




5



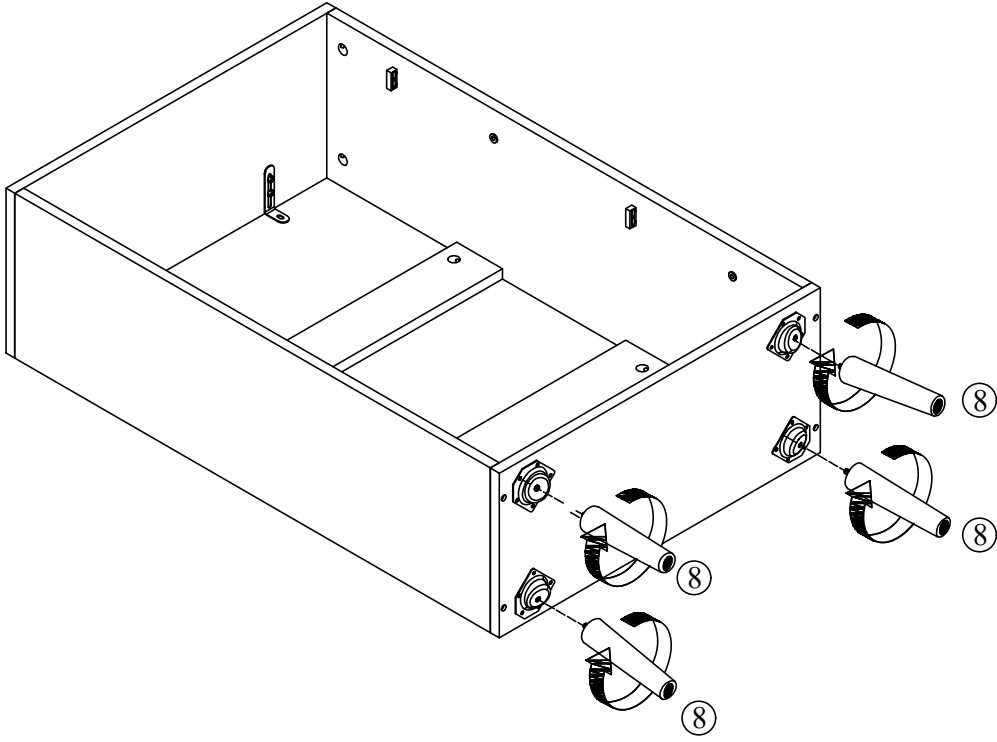
<p>C</p>  <p>x 4</p>	<p>F</p>  <p>x 4</p>
--	--

6

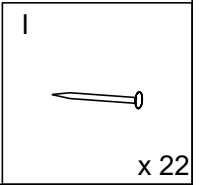
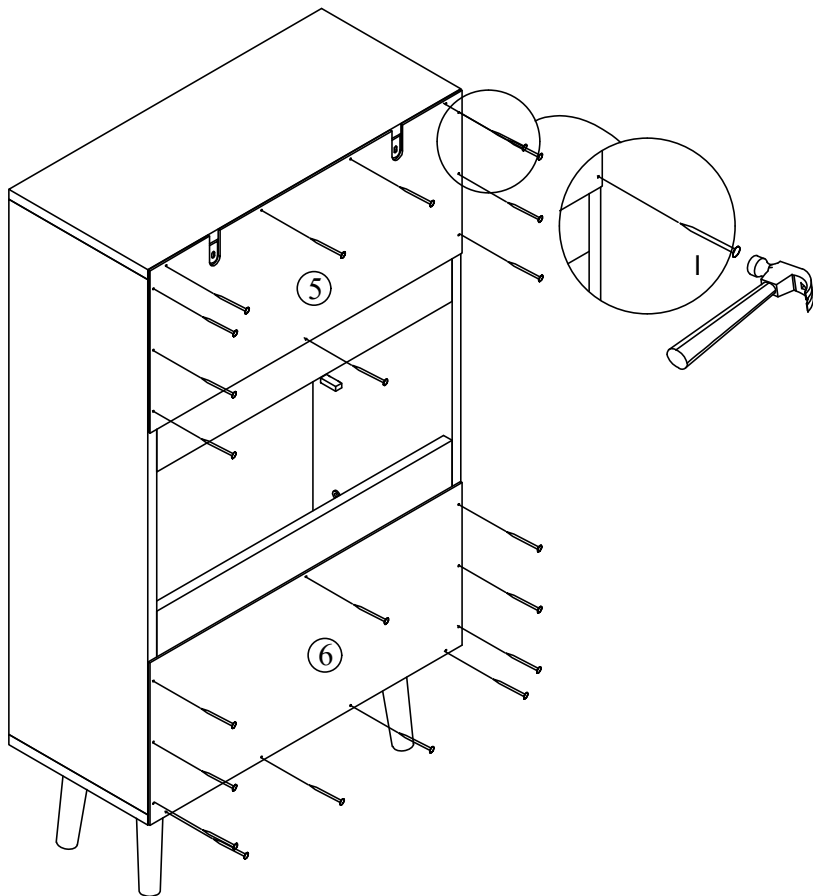


<p>G</p>  <p>x 20</p>	<p>L</p>  <p>x 4</p>
--	---

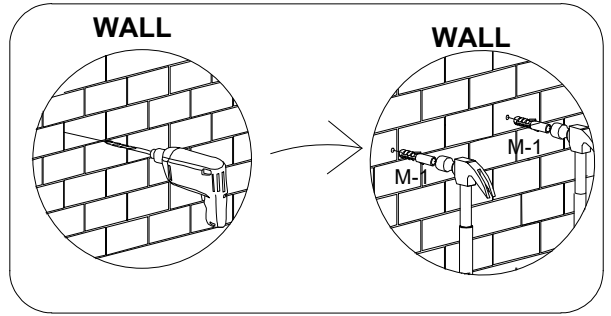
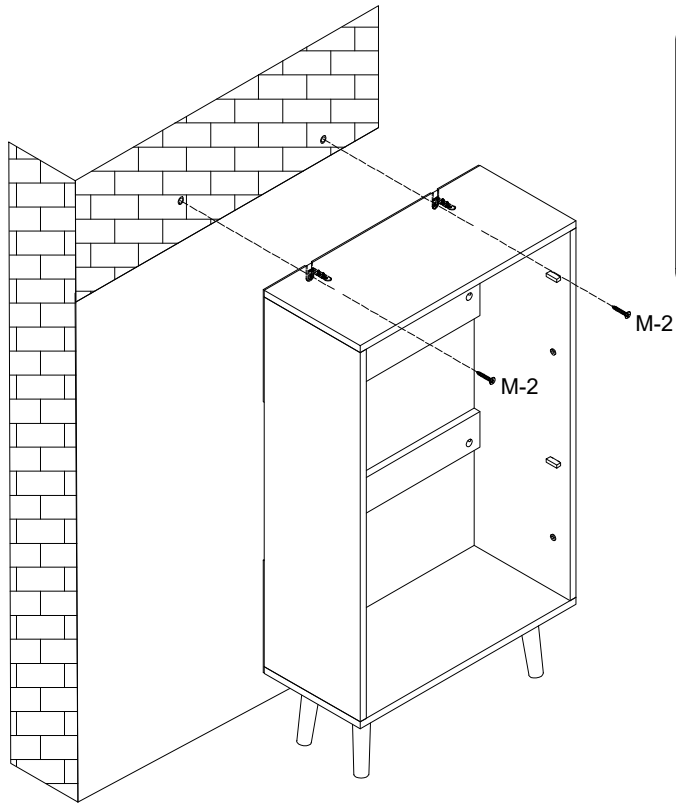
7



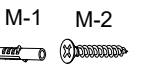
8



9

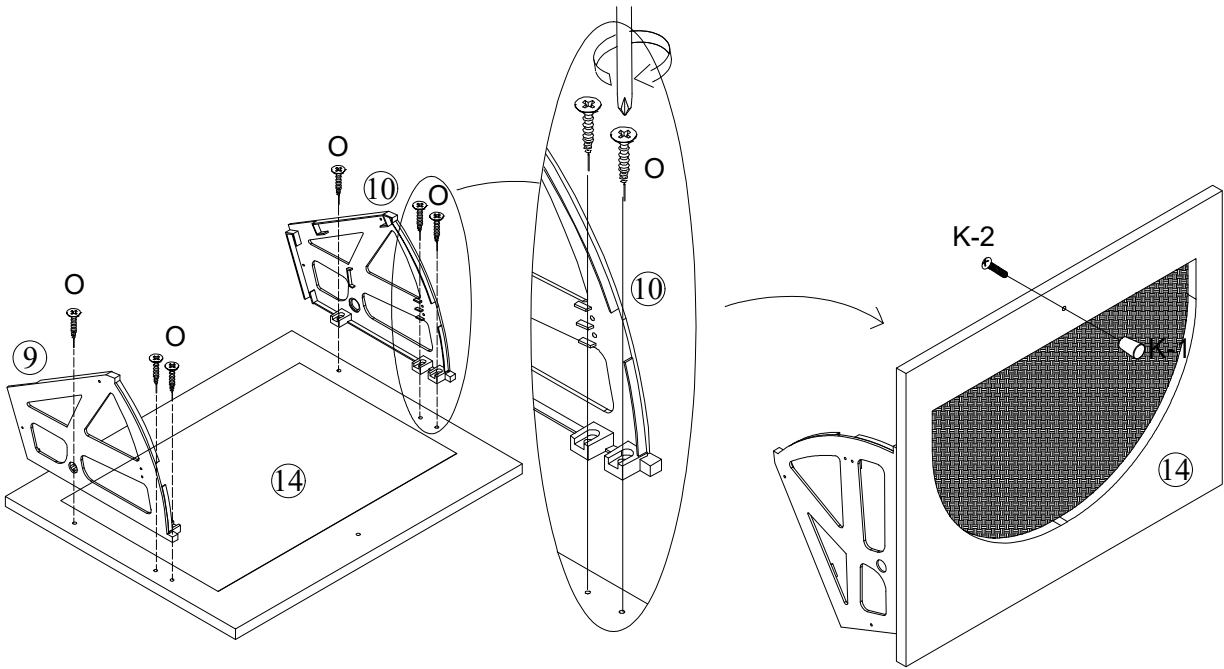


M

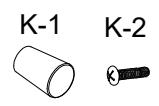


x 2

10

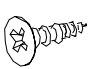


K



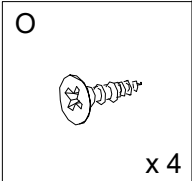
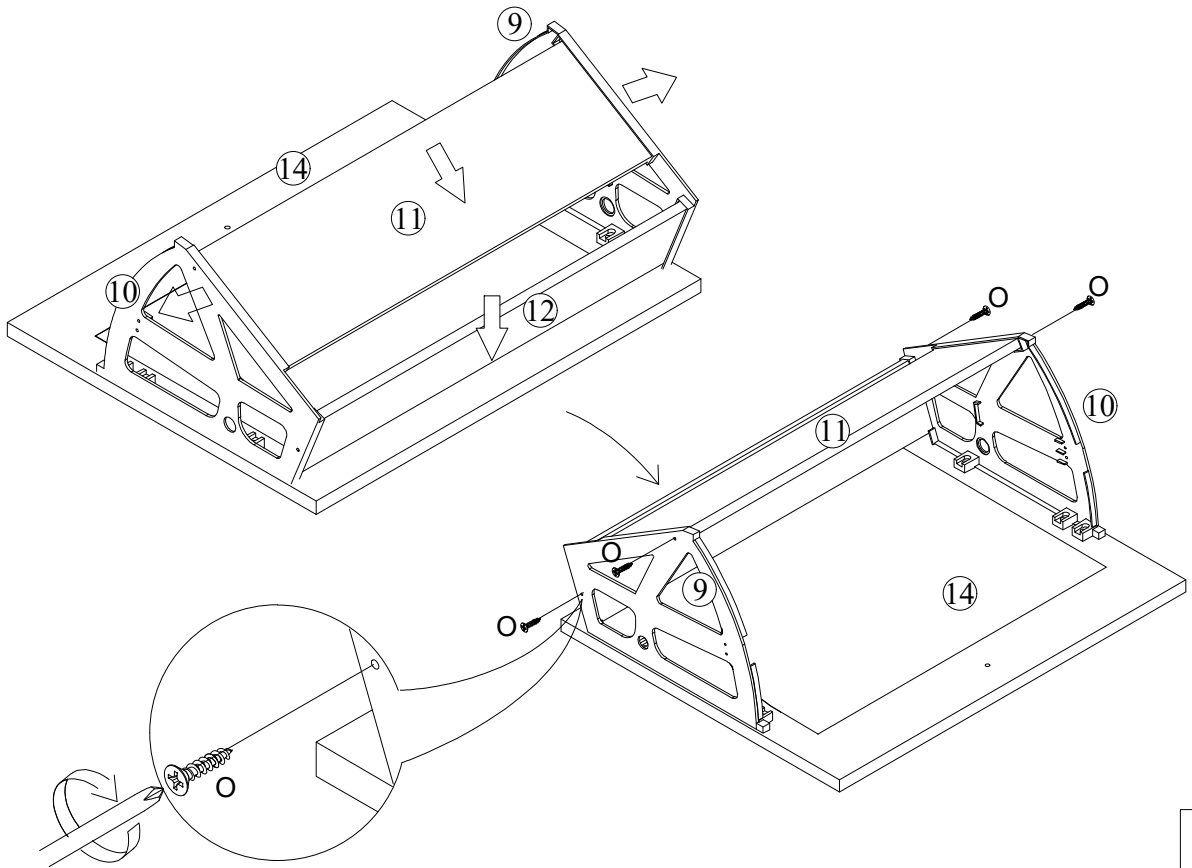
x 1

O

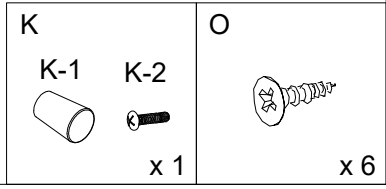
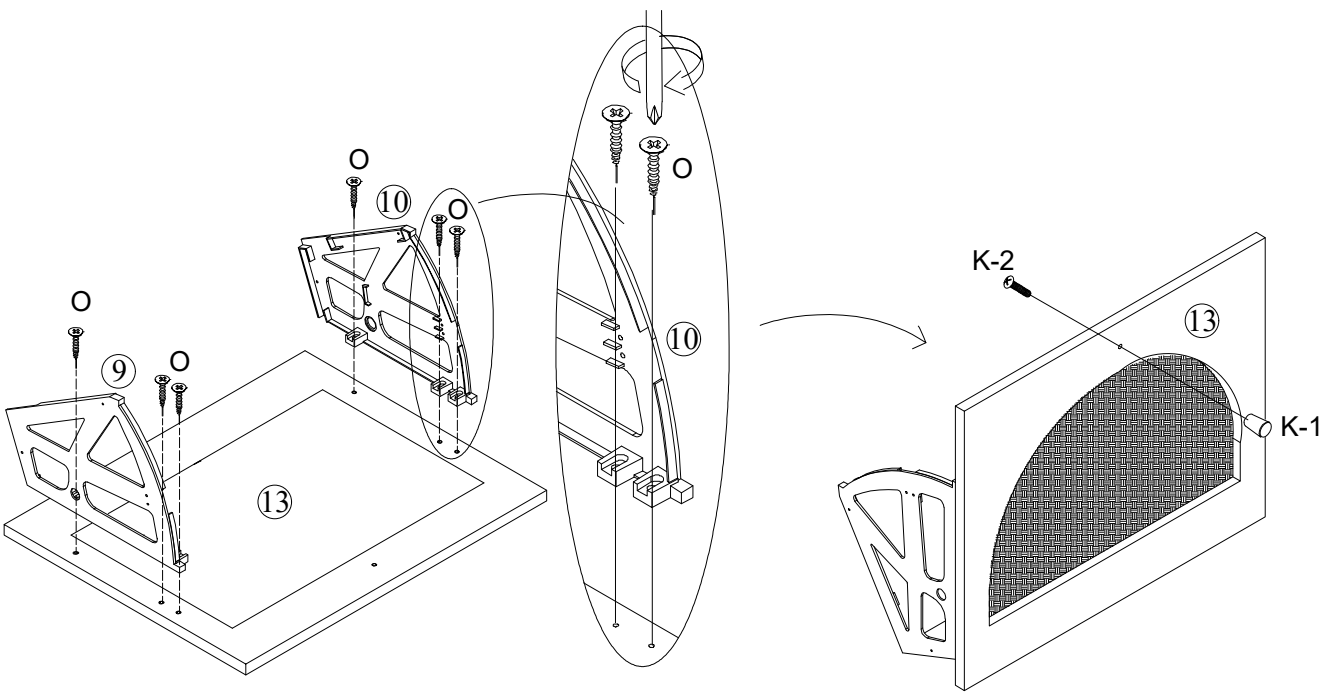


x 6

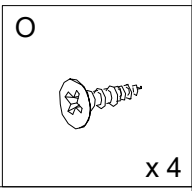
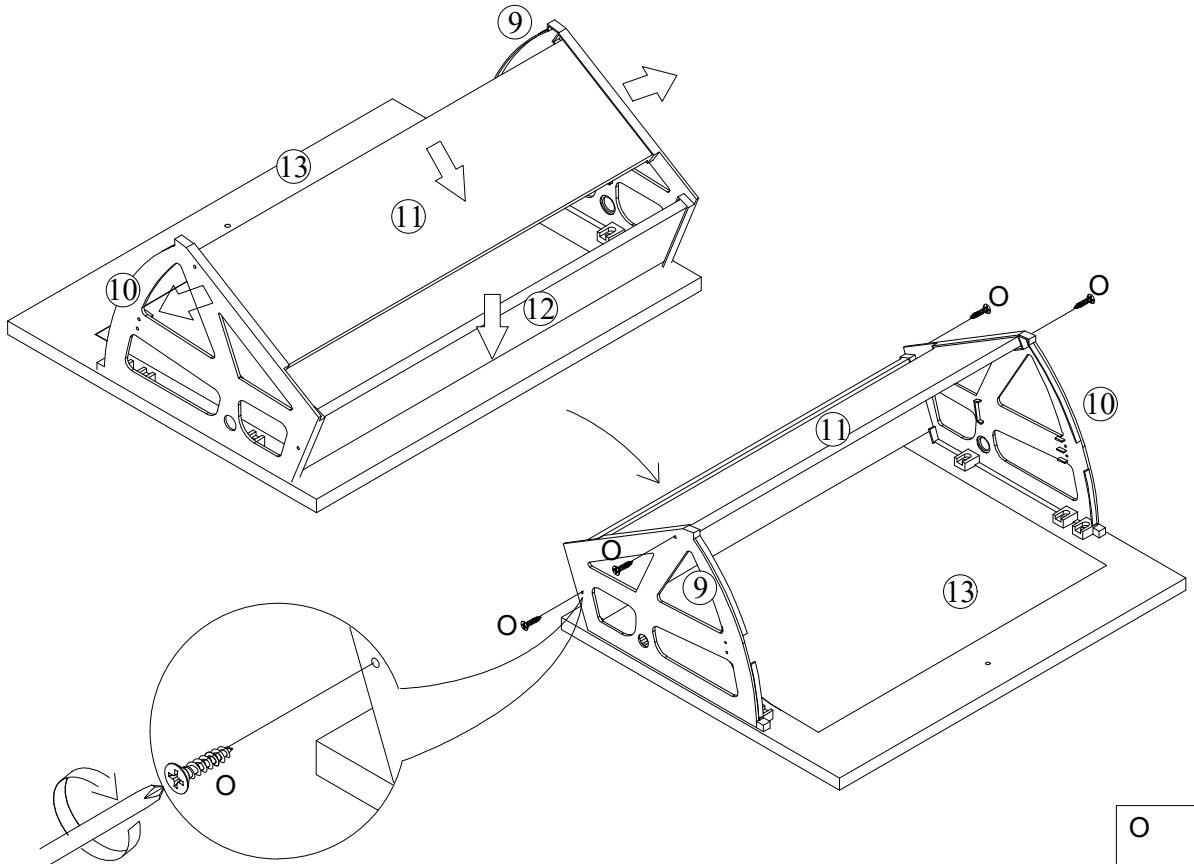
11



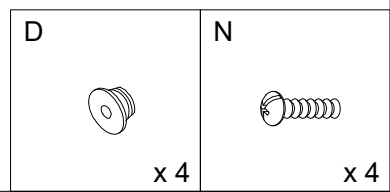
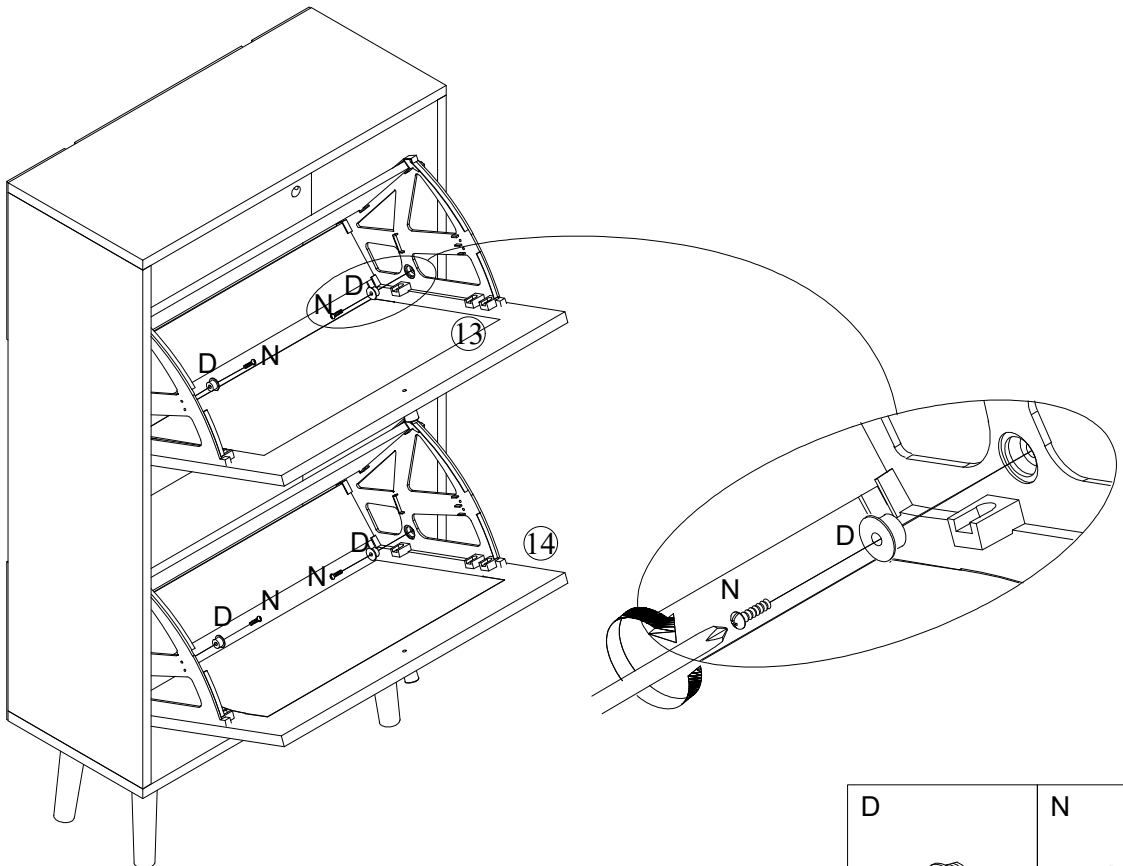
12



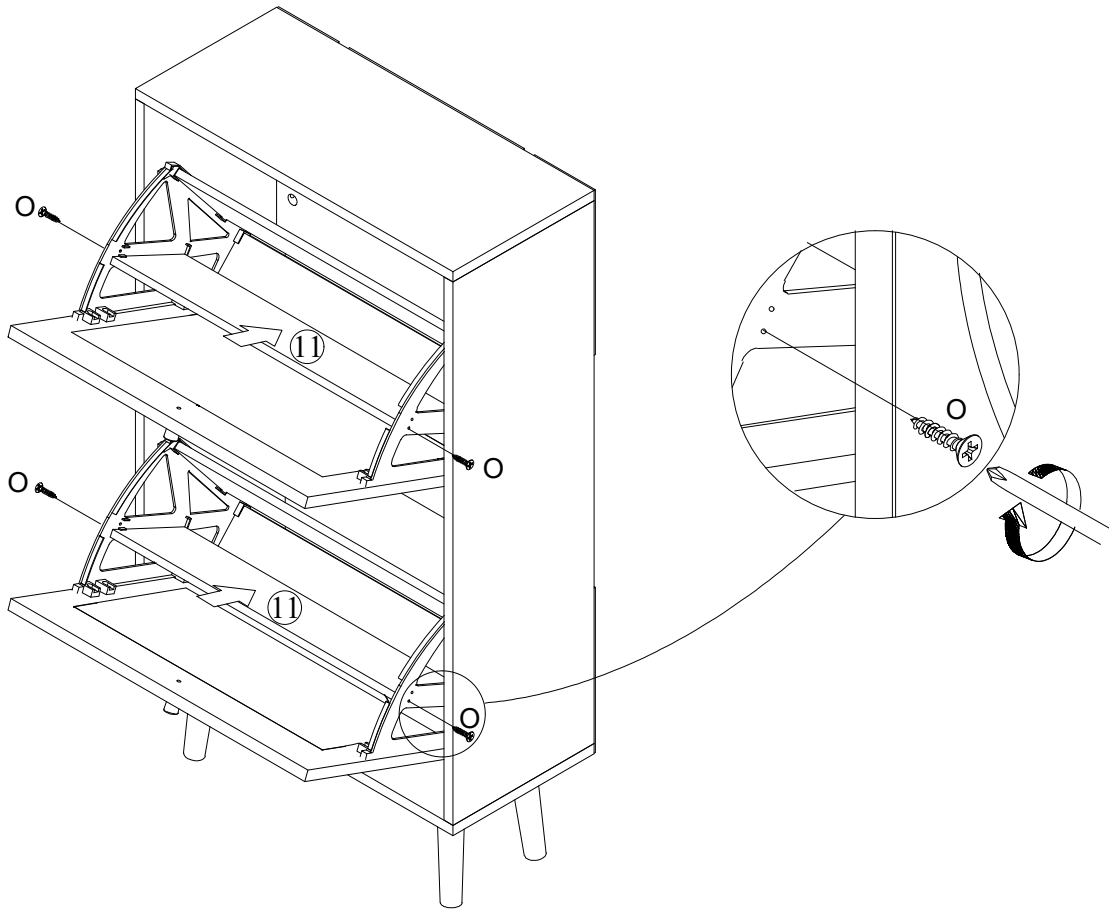
13



14



15



16

