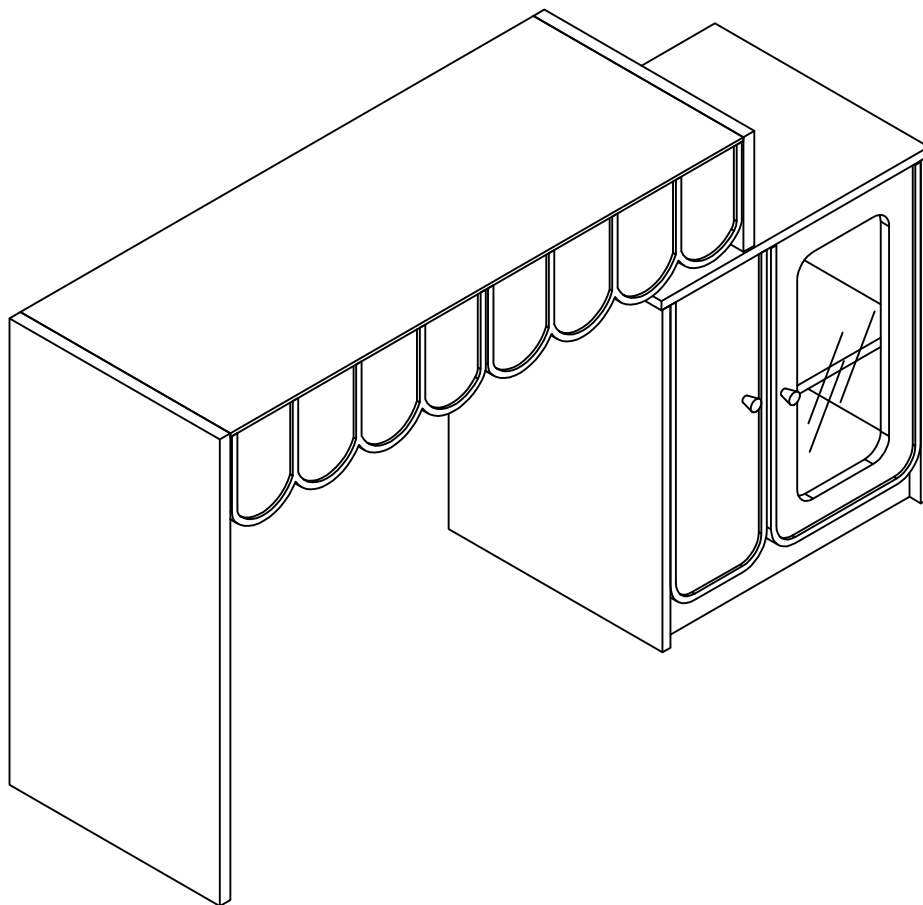
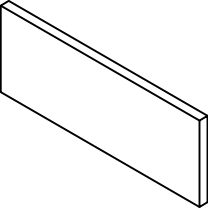
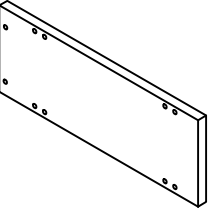
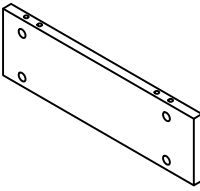
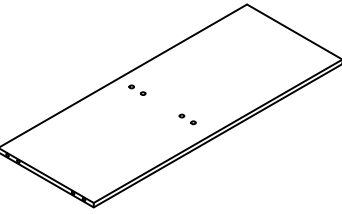
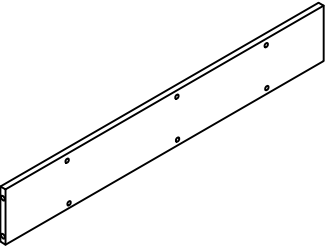
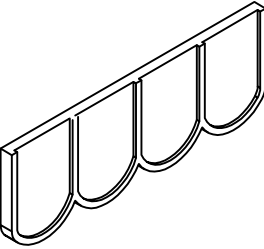
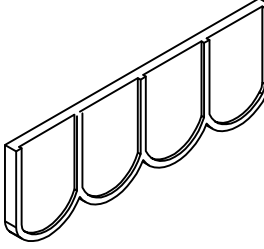
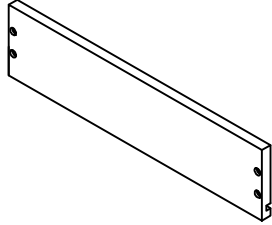
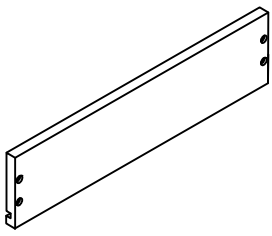
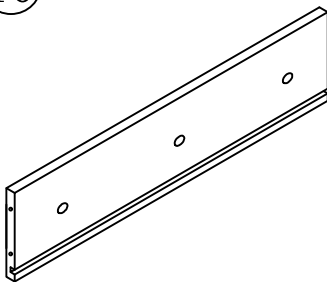
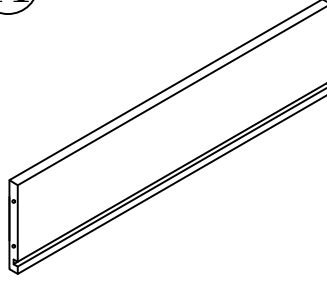
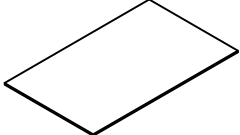
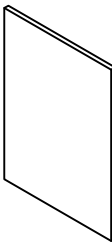
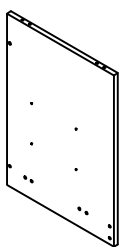
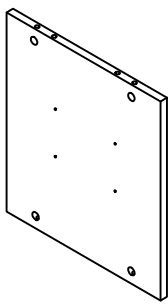
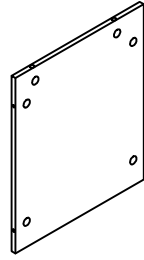
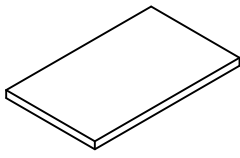
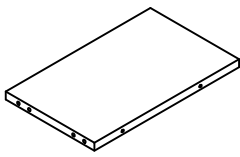
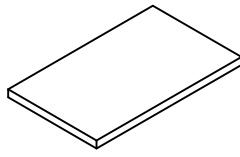
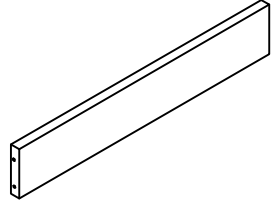


# Assembly Guide of B2230P Dressing Table

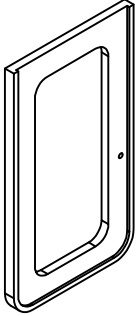
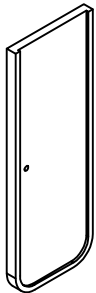
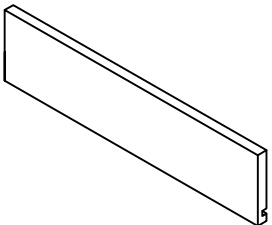
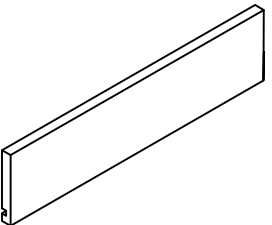
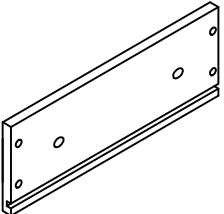
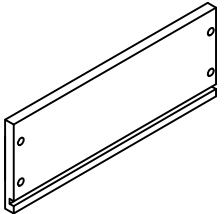
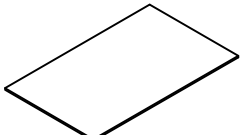
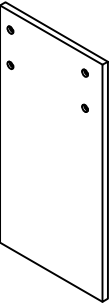
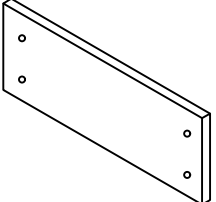
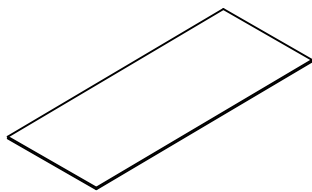
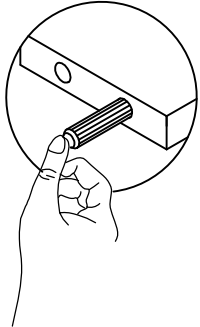


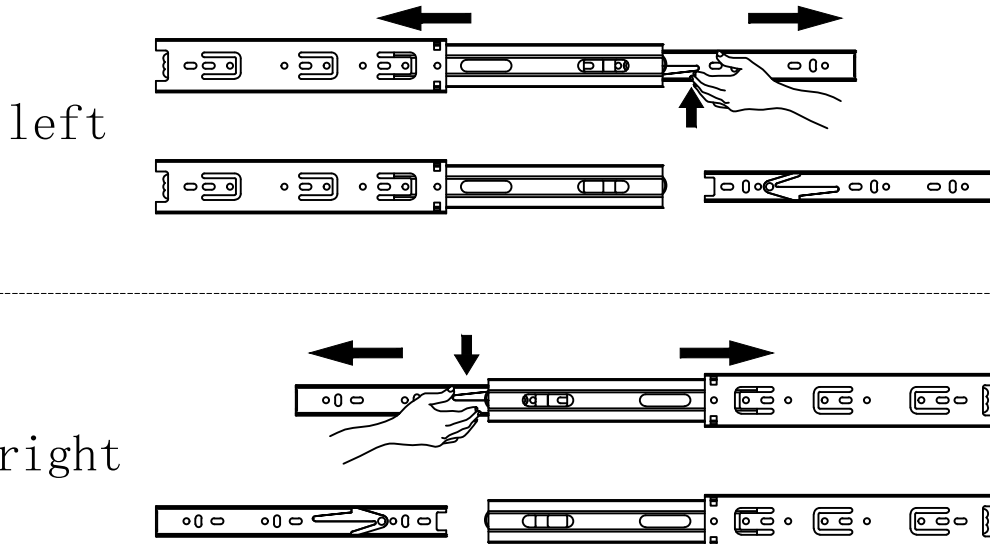
Tips: Do not throw away packing materials until assembly is complete for small parts may come loose inside the carton during shipment. If parts are missing, please contact us. Assemble this item on a soft surface, such as carpet to protect the finish.

# PARTS LIST

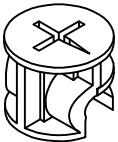
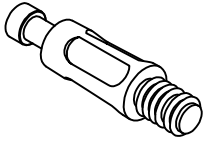
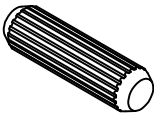
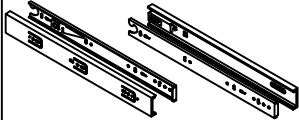

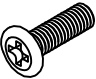

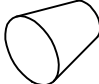

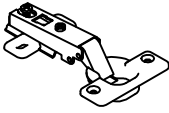

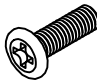



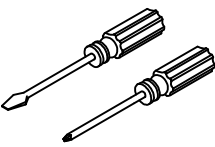
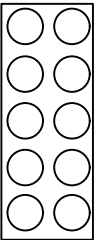
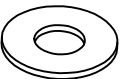
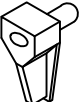
<p style="text-align: center;">①</p> 	<p style="text-align: center;">②</p> 	<p style="text-align: center;">③</p> 	<p style="text-align: center;">④</p> 
<p>left outside panel of the table =1</p>	<p>right outside panel of the table =1</p>	<p>middle side panel of the table =1</p>	<p>bottom panels of the table=2</p>
<p style="text-align: center;">⑤</p> 	<p style="text-align: center;">⑥</p> 	<p style="text-align: center;">⑦</p> 	<p style="text-align: center;">⑧</p> 
<p>back panel of the table=1</p>	<p>left drawer panel of the table =1</p>	<p>right drawer panel of the table =1</p>	<p>left-drawer side panels of the table =2</p>
<p style="text-align: center;">⑨</p> 	<p style="text-align: center;">⑩</p> 	<p style="text-align: center;">⑪</p> 	<p style="text-align: center;">⑫</p> 
<p>right-drawer side panels of the table =2</p>	<p>front drawer tail panels of the table =2</p>	<p>rear drawer tail panels of the table =2</p>	<p>drawer bottom panels of the table=2</p>
<p style="text-align: center;">⑬</p> 	<p style="text-align: center;">⑭</p> 	<p style="text-align: center;">⑮</p> 	<p style="text-align: center;">⑯</p> 
<p>left outside panel of the side cabinet =1</p>	<p>right outside panel of the side cabinet =1</p>	<p>middle side panel of the side cabinet =1</p>	<p>back panel of the side cabinet =1</p>
<p style="text-align: center;">⑰</p> 	<p style="text-align: center;">⑱</p> 	<p style="text-align: center;">⑲</p> 	<p style="text-align: center;">⑳</p> 
<p>active laminate of the side cabinet =1</p>	<p>bottom panel of the side cabinet =1</p>	<p>side cabinet panel =1</p>	<p>front foot bar of the side cabinet =1</p>

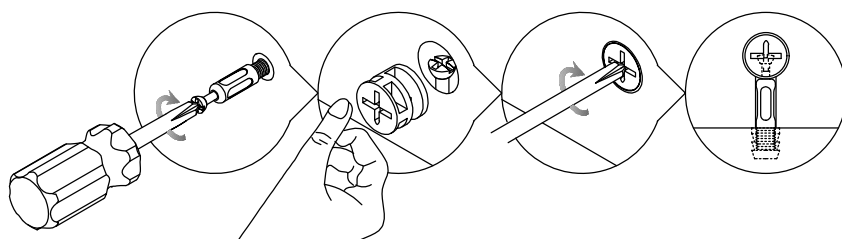
# PARTS LIST

<p>21</p> 	<p>22</p> 	<p>23</p> 	<p>24</p> 
<p>side cabinet door =1</p>	<p>drawer panel of the side cabinet =1</p>	<p>left-drawer side panels of the side cabinet =2</p>	<p>right-drawer side panels of the side cabinet =2</p>
<p>25</p> 	<p>26</p> 	<p>27</p> 	<p>28</p> 
<p>front drawer tail panels of the side cabinet =2</p>	<p>rear drawer tail panels of the side cabinet =2</p>	<p>drawer bottom panels of the side cabinet =2</p>	<p>acrylic long foot of the table =1</p>
<p>29</p> 	<p>30</p> 	 <p>Part (C) installation schematic process</p>	
<p>acrylic short foot of the table =1</p>	<p>sintered stone table top =1</p>		



# HARDWARE LIST

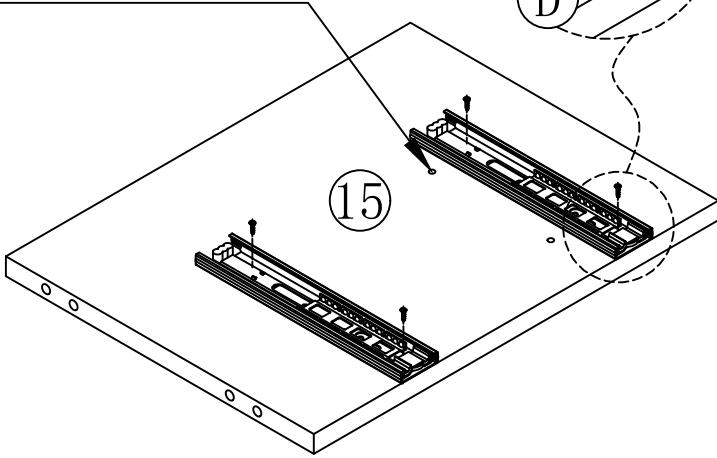
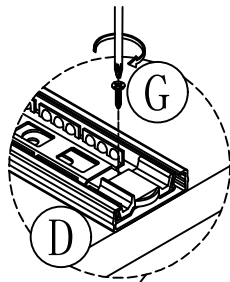
(A)	(B)	(C)	(D)	(E)
				
3-in-1 camlocks =50	3-in-1 rods =50	8*30 wood dowels =24	10 inch guide rails =4	drawer rear panel screws=16
(F)	(G)	(H)	(I)	(J)
				
6*25 big flat screws =10	3.4*14 self- tapping screws=52	sigle handles =2	4*22 handle screws =2	large curved door hinges =2
(K)	(L)	(M)	(N)	(O)
				
foot nails =4	6*35 big flat screws =8	mirror nails =8	3m rubbers =2	transparent adjustable foot nails =2
(P)	(Q)	(R)		
			<p>phillips head screw driver required for assemble---not include</p>	
double-sided stickers =10	gaskets =8	laminat supports =4		



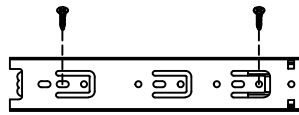
Part (A) and (B) installation schematic process

### Step 1

This guide rail has 2-gear option for installation.

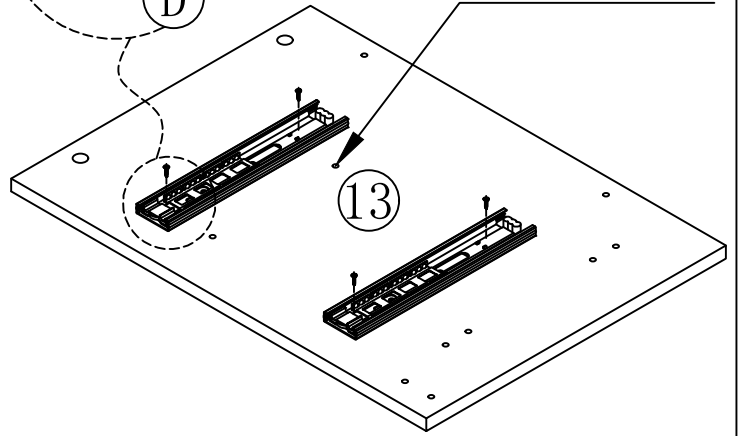
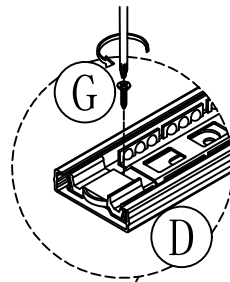


D=2, G=4

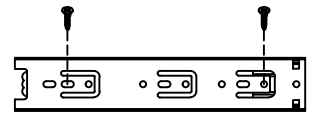


### Step 2

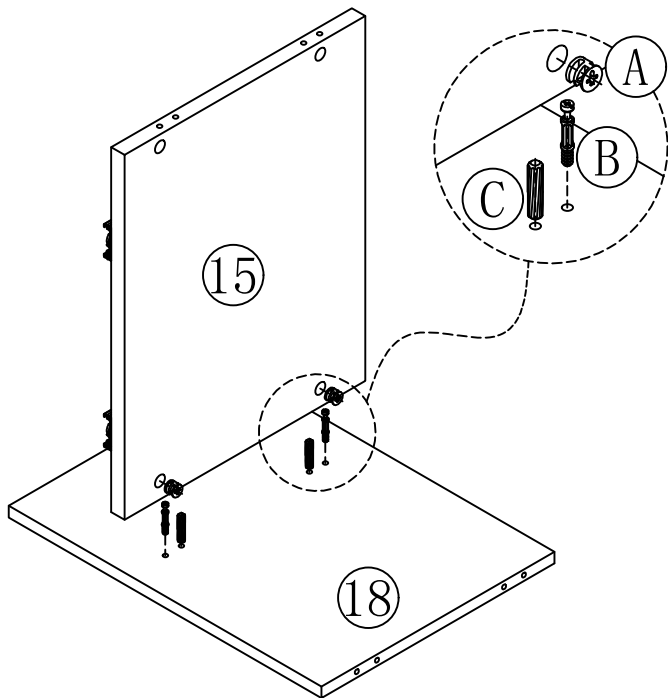
This guide rail has 2-gear option for installation.



D=2, G=4

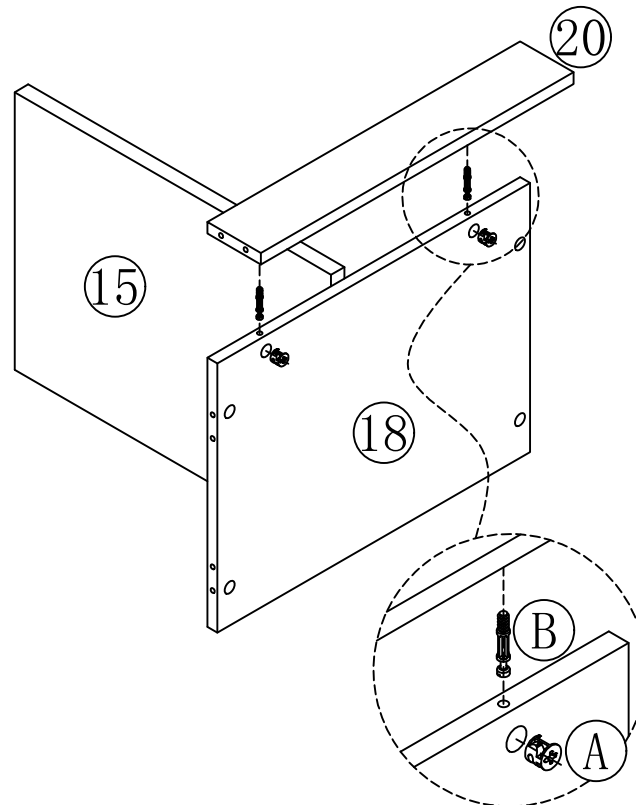


### Step 3



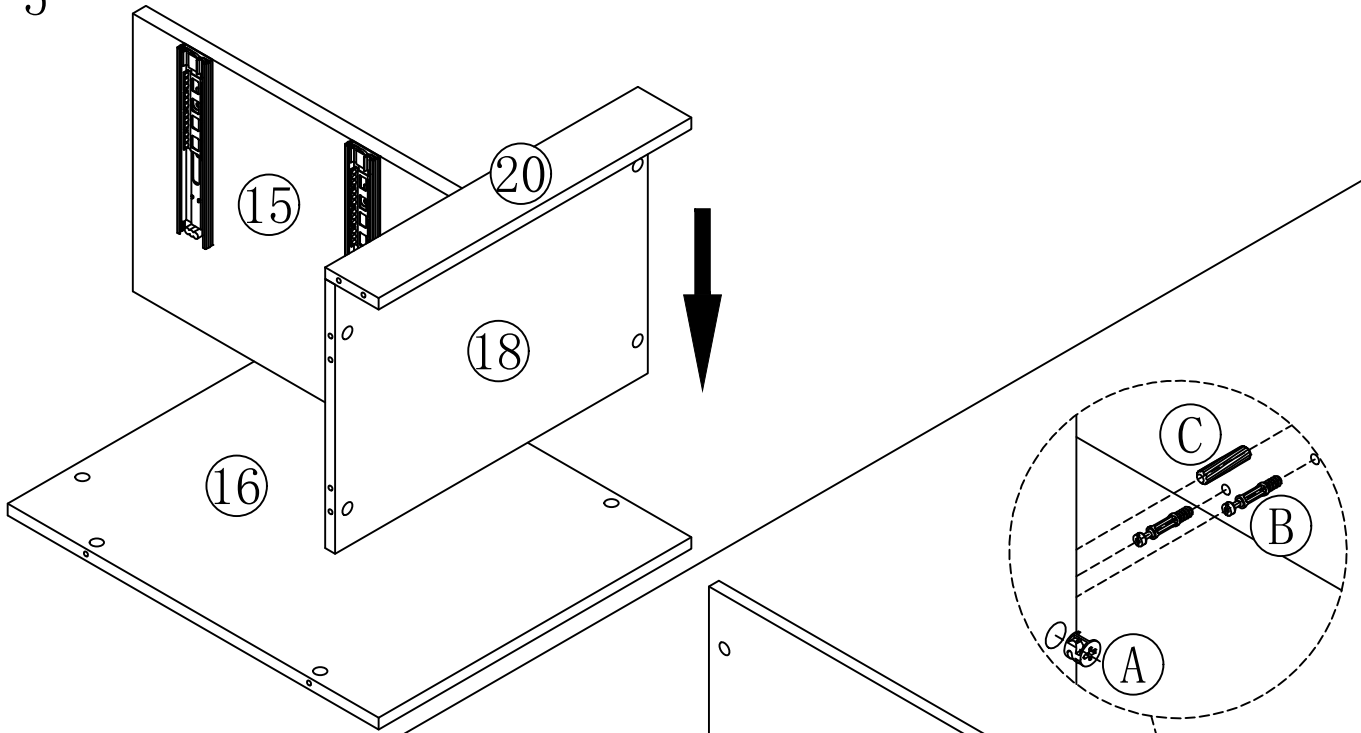
A=2, B=2, C=2

### Step 4

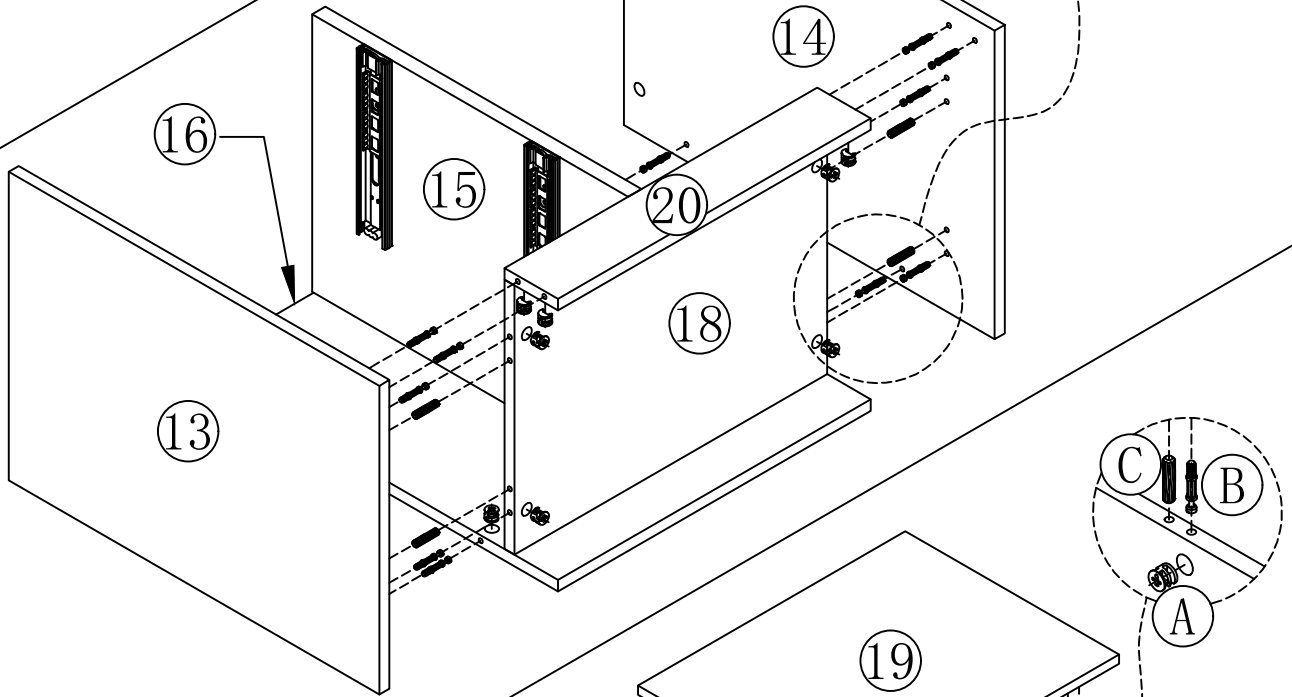


A=2, B=2

Step 5

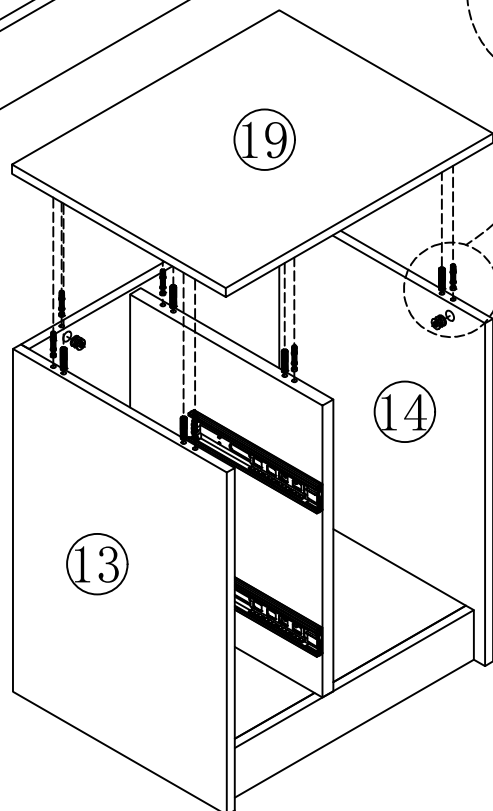


Step 6



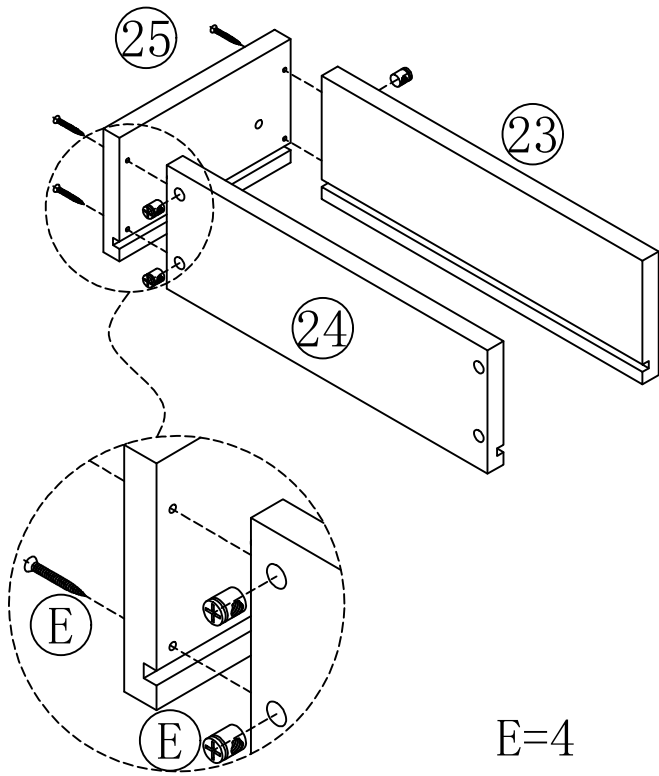
A=12, B=12, C=4

Step 7

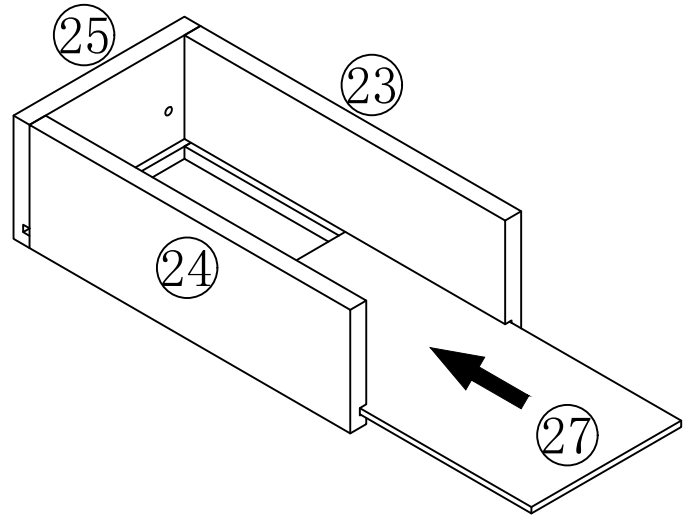


A=8, B=8, C=6

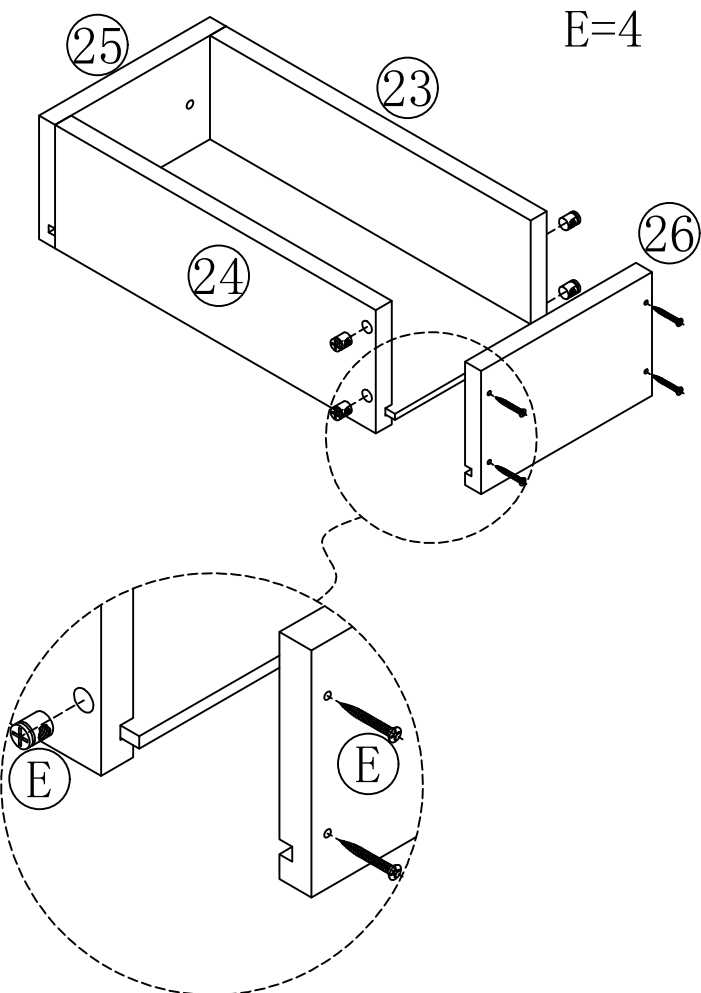
Step 8



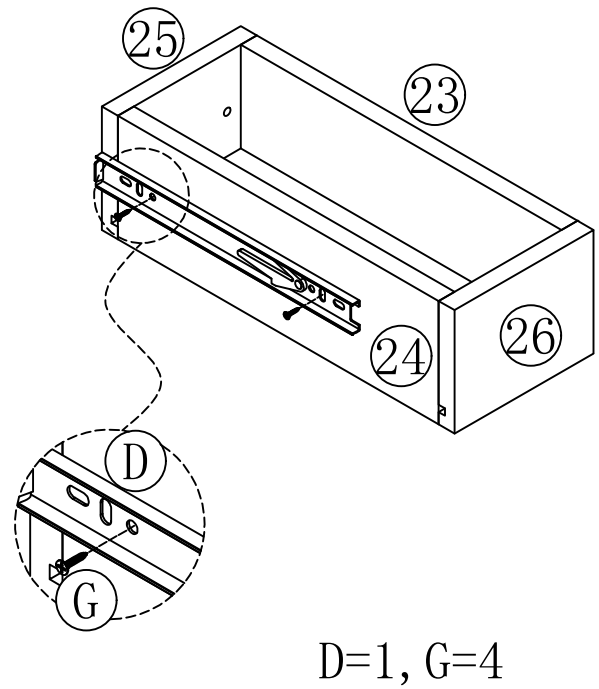
Step 9



Step 10



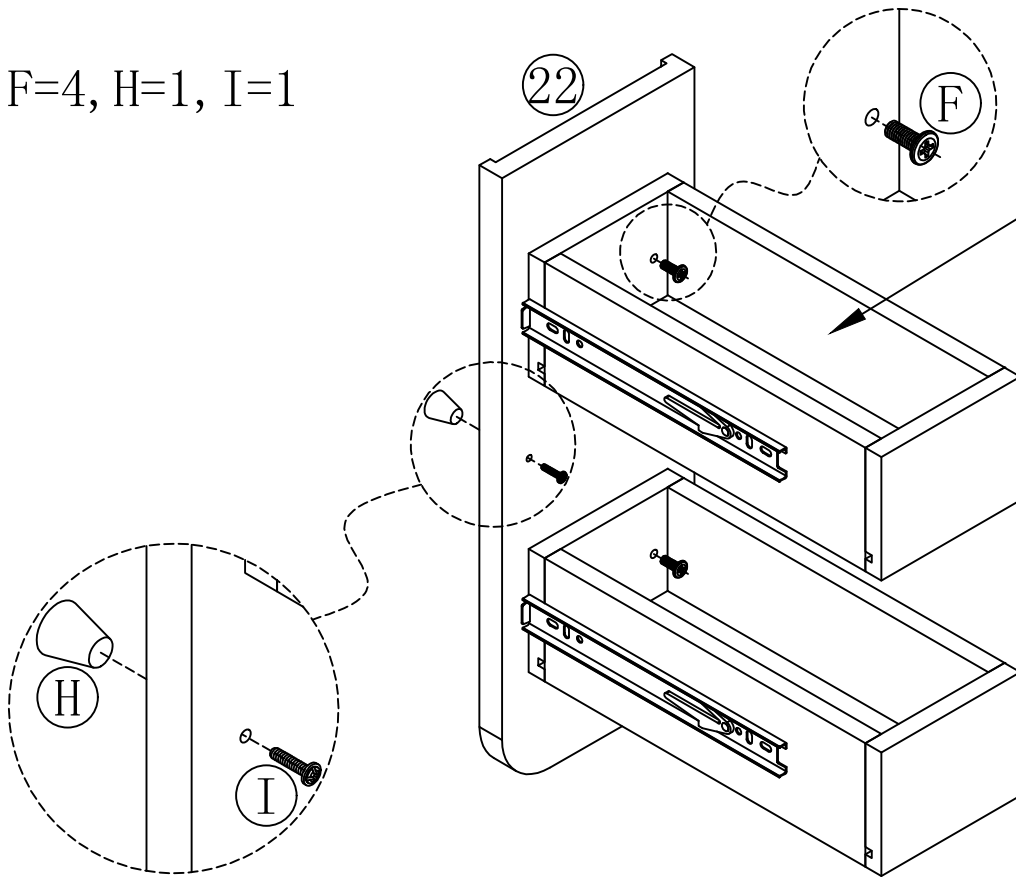
Step 11



## Step 12

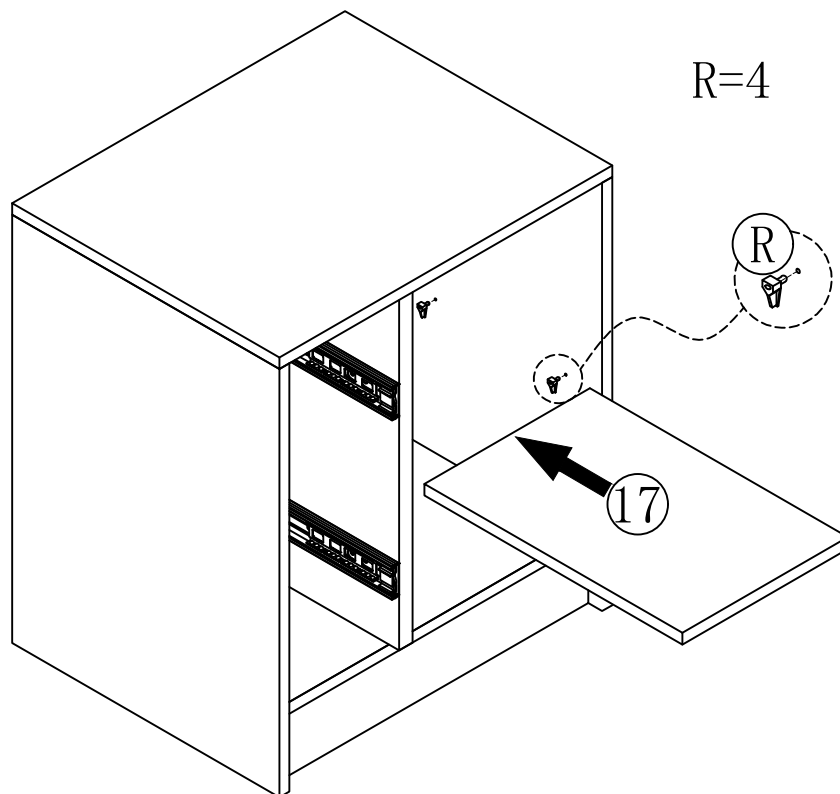
F=4, H=1, I=1

This drawer has 2-gear option for installation, depending on the height of the first step of guide rail installation.



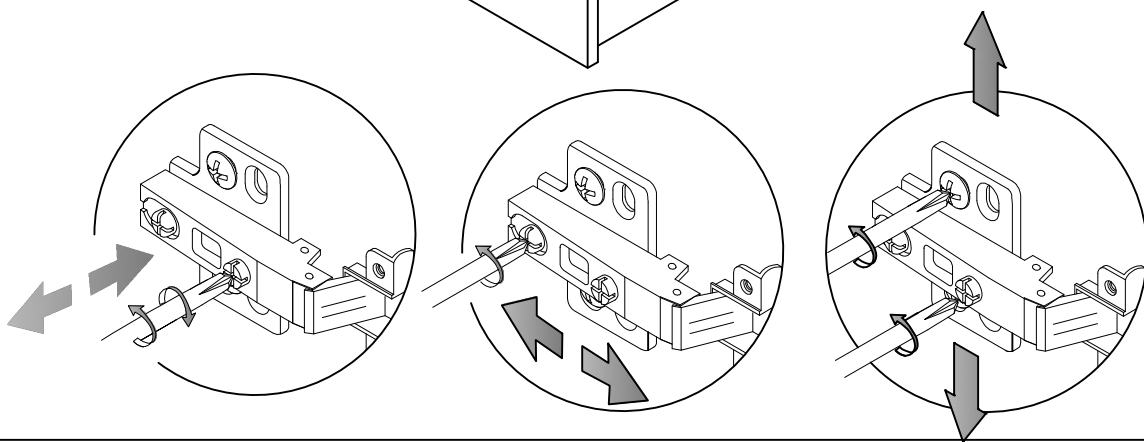
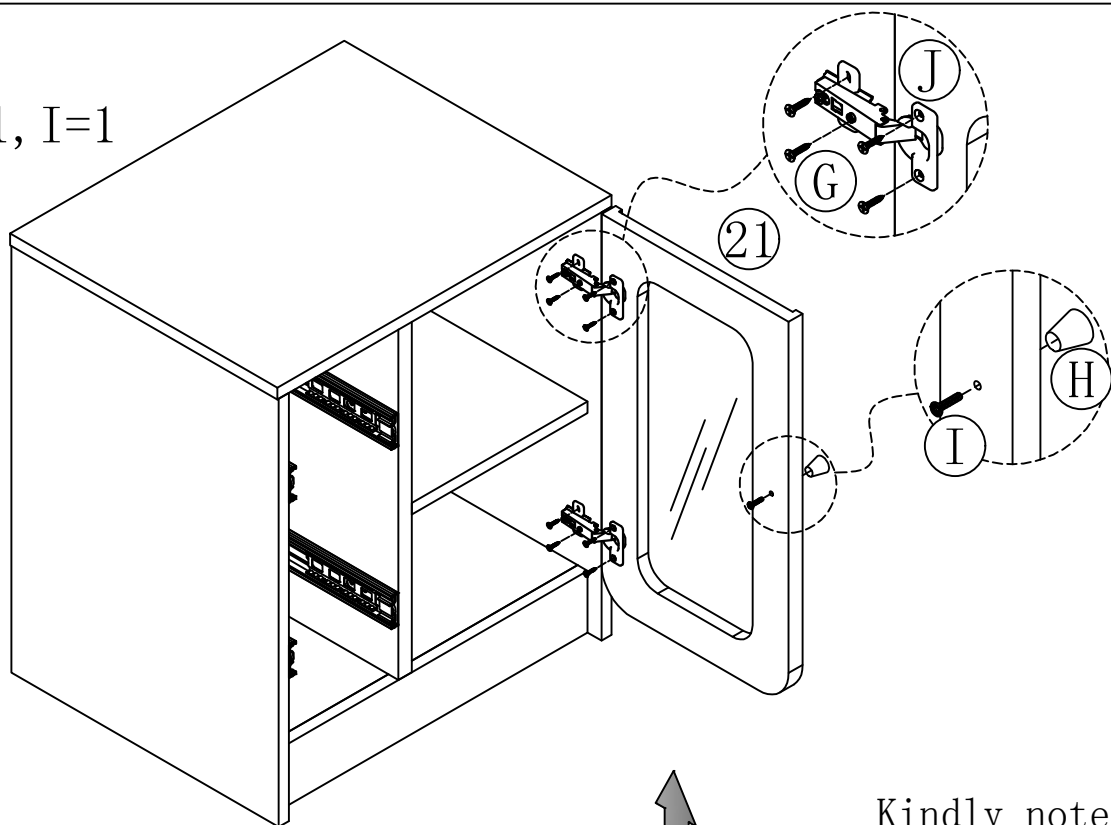
## Step 13

R=4



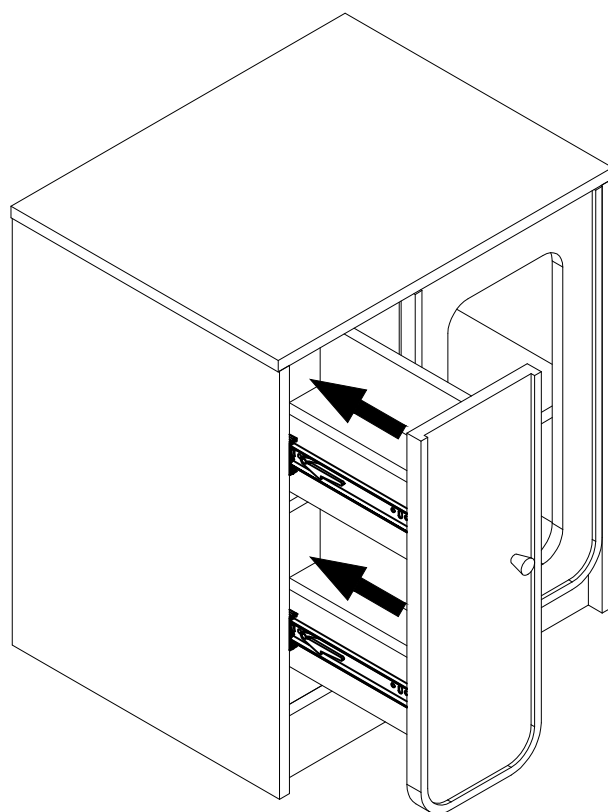
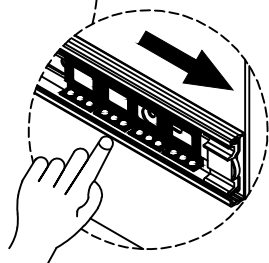
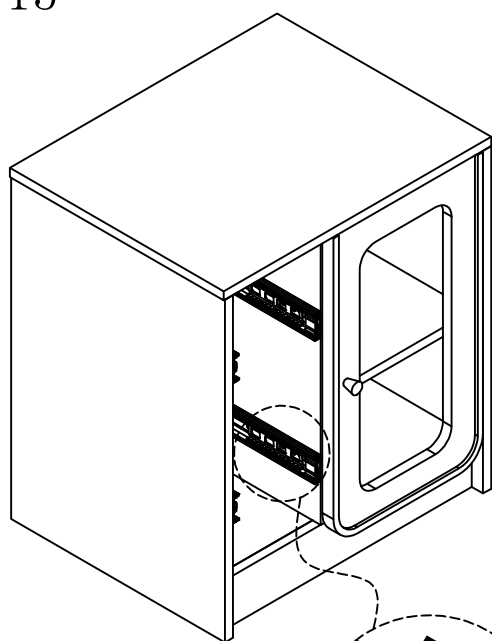
# Step 14

G=2, J=8, H=1, I=1

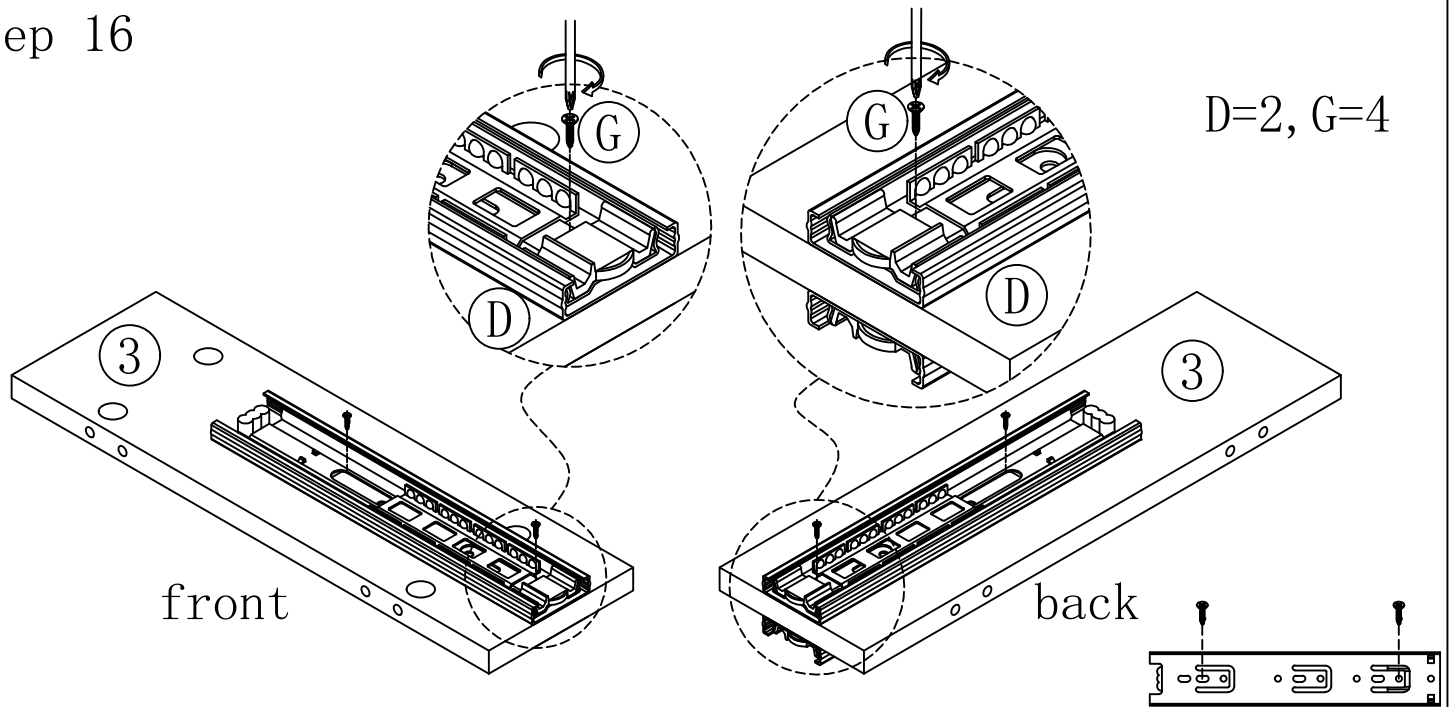


Kindly note:  
The edge of the door hinge should be level with the edge of the door panel before locking.

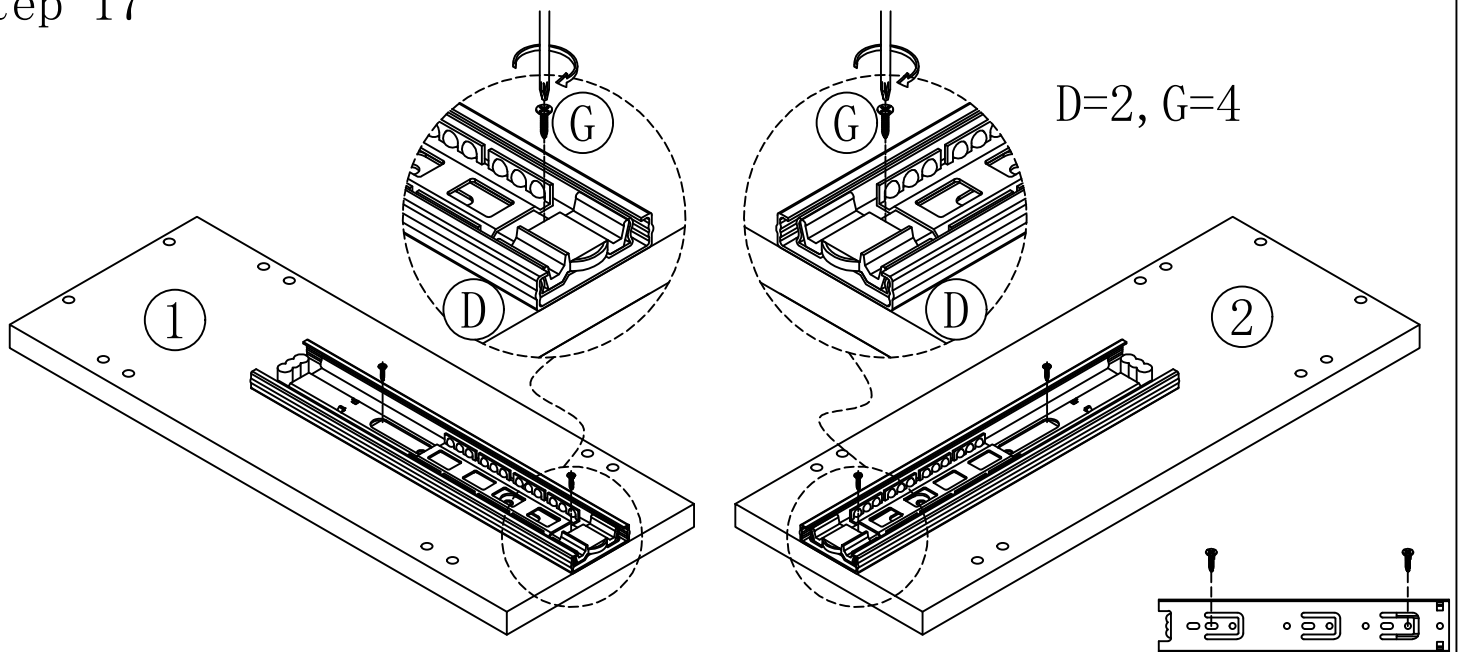
# Step 15



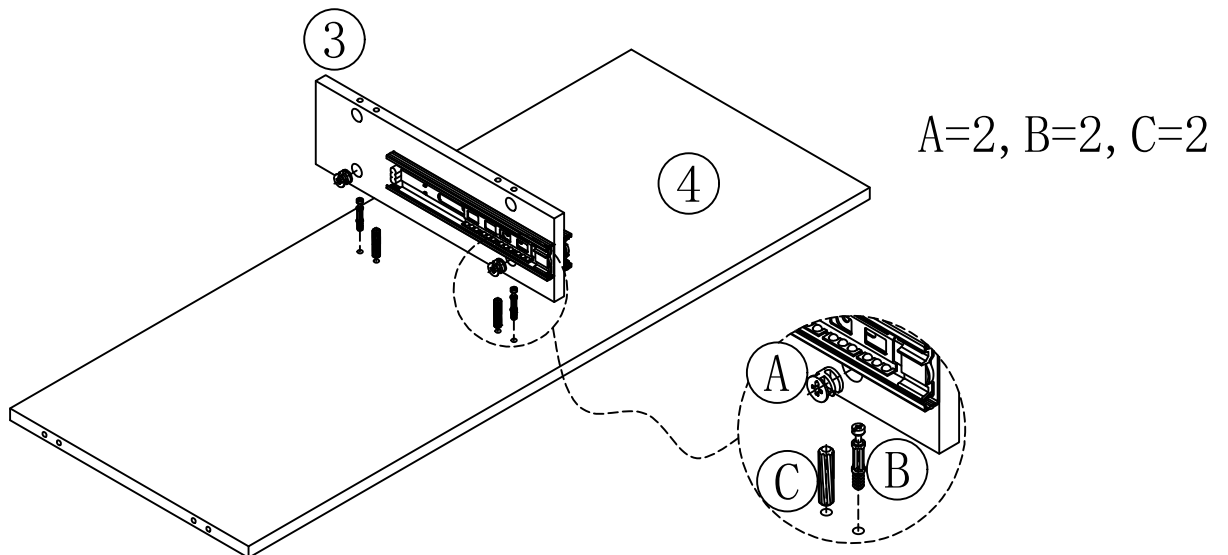
### Step 16



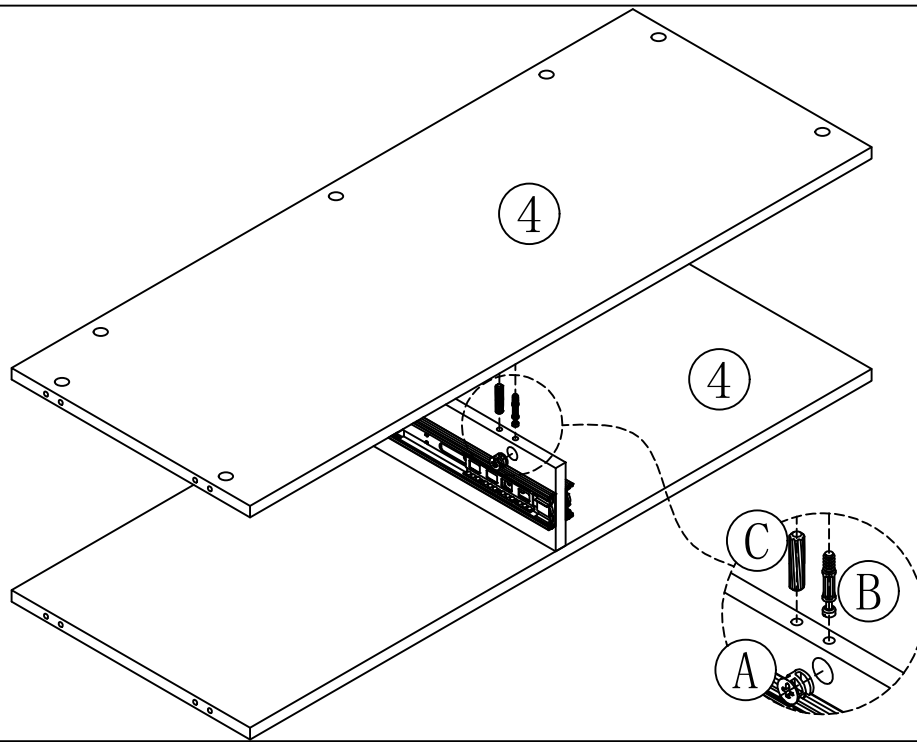
### Step 17



### Step 18

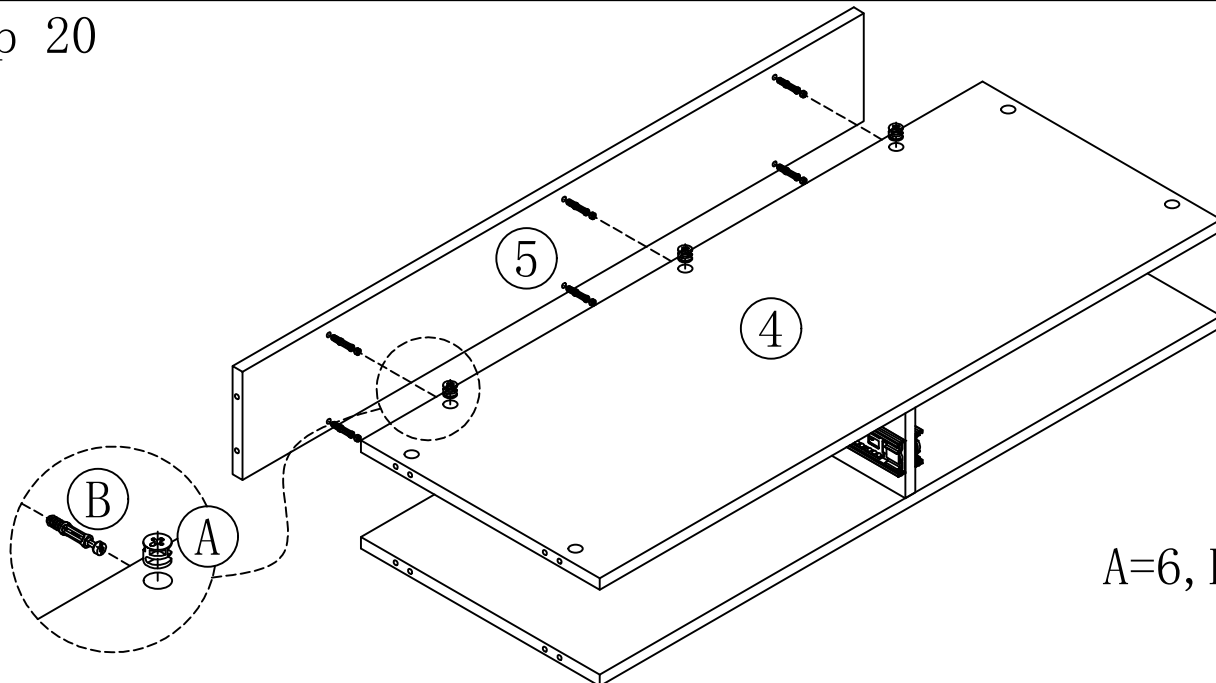


### Step 19



A=2, B=2, C=2

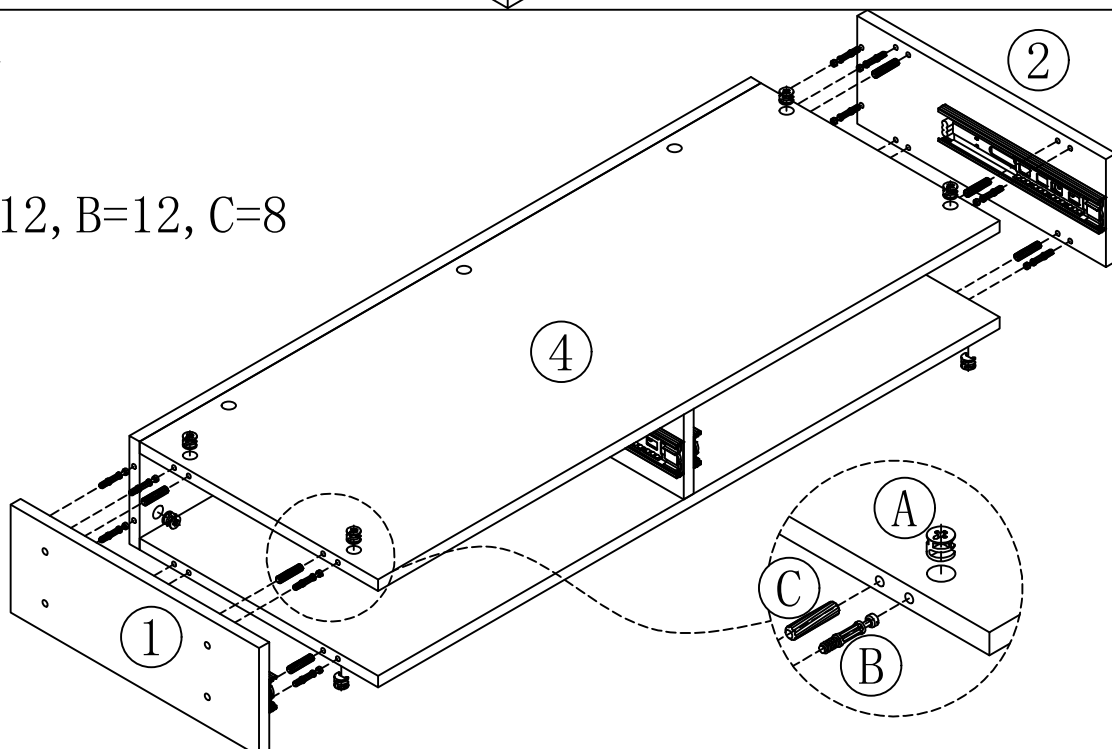
### Step 20



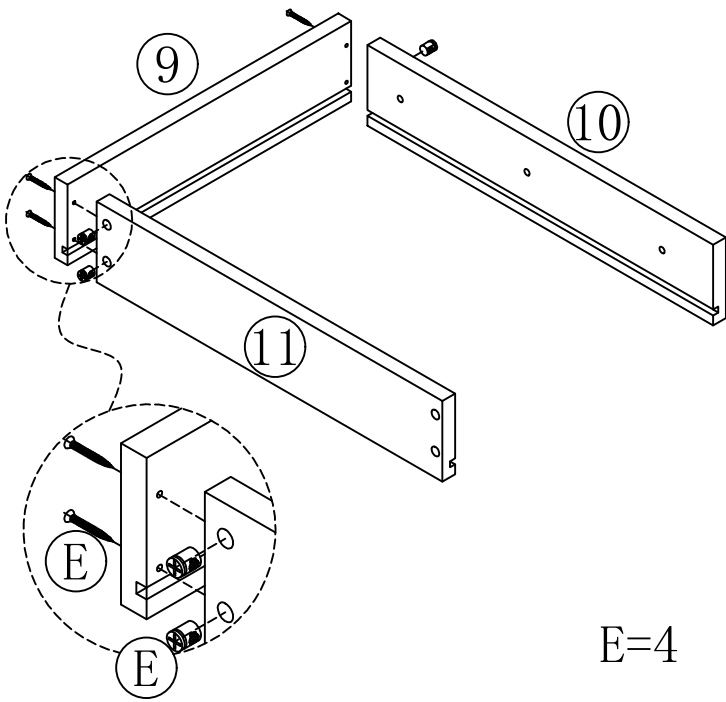
A=6, B=6

### Step 21

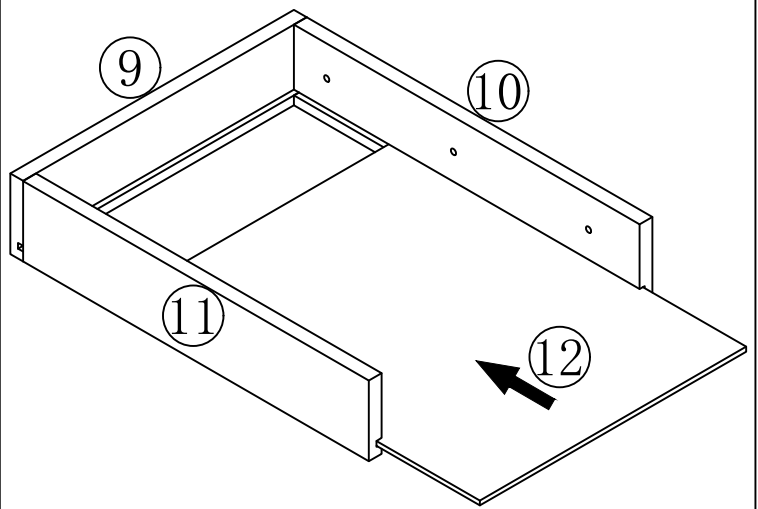
A=12, B=12, C=8



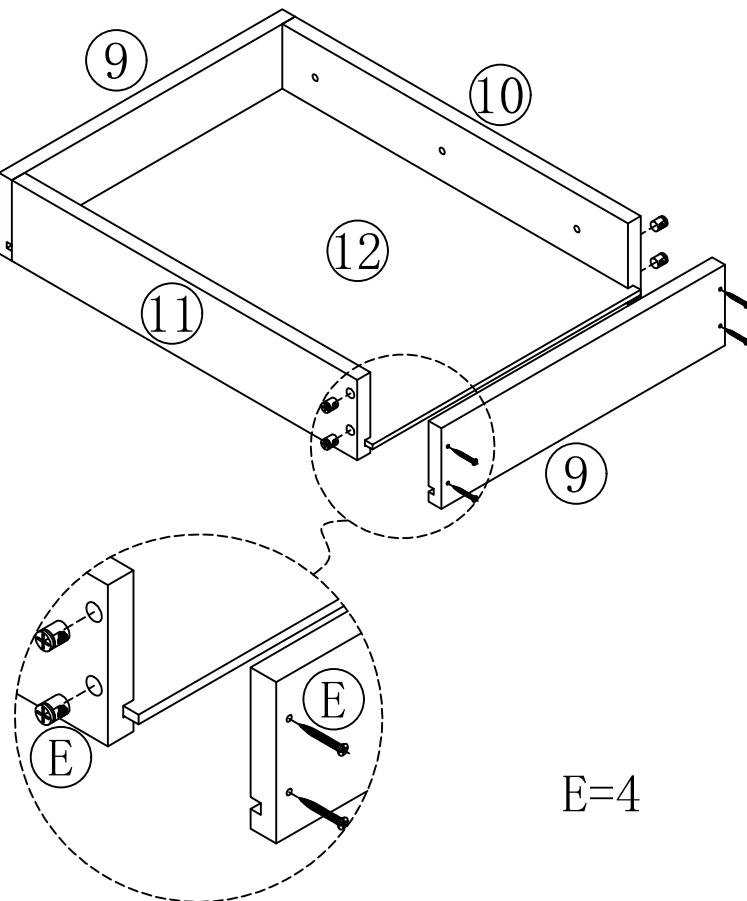
### Step 22



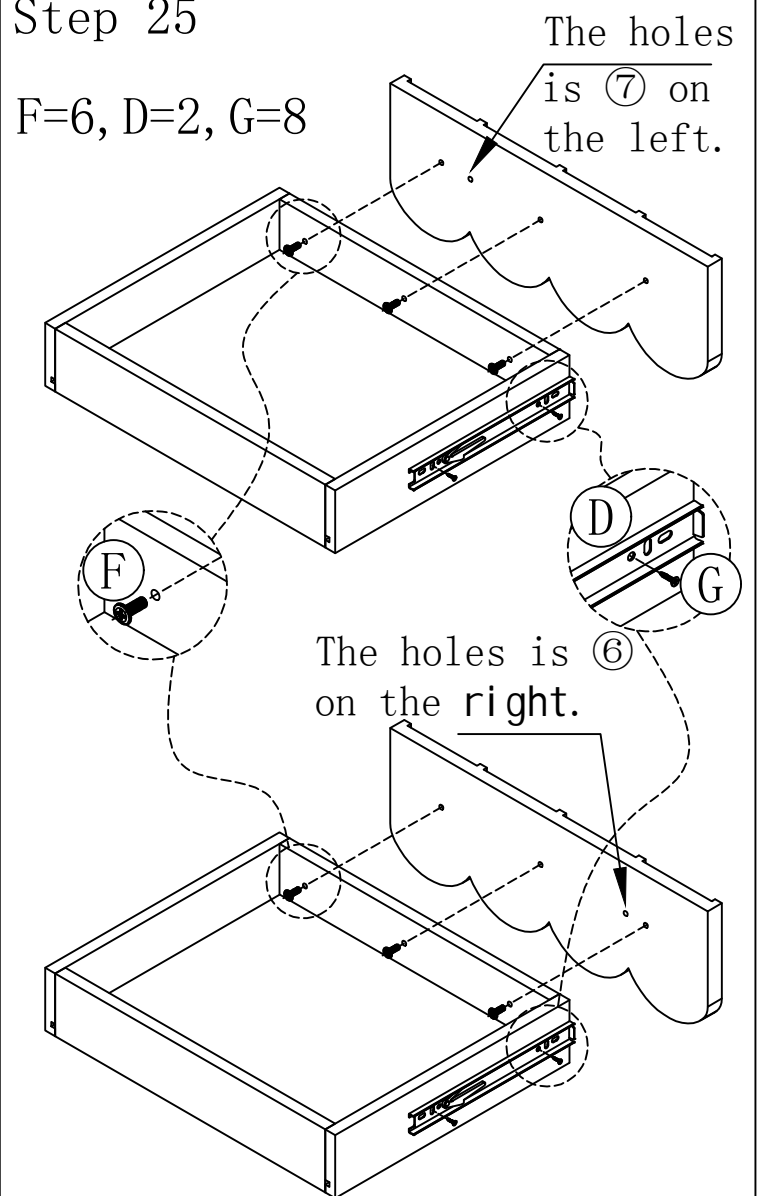
### Step 23



### Step 24

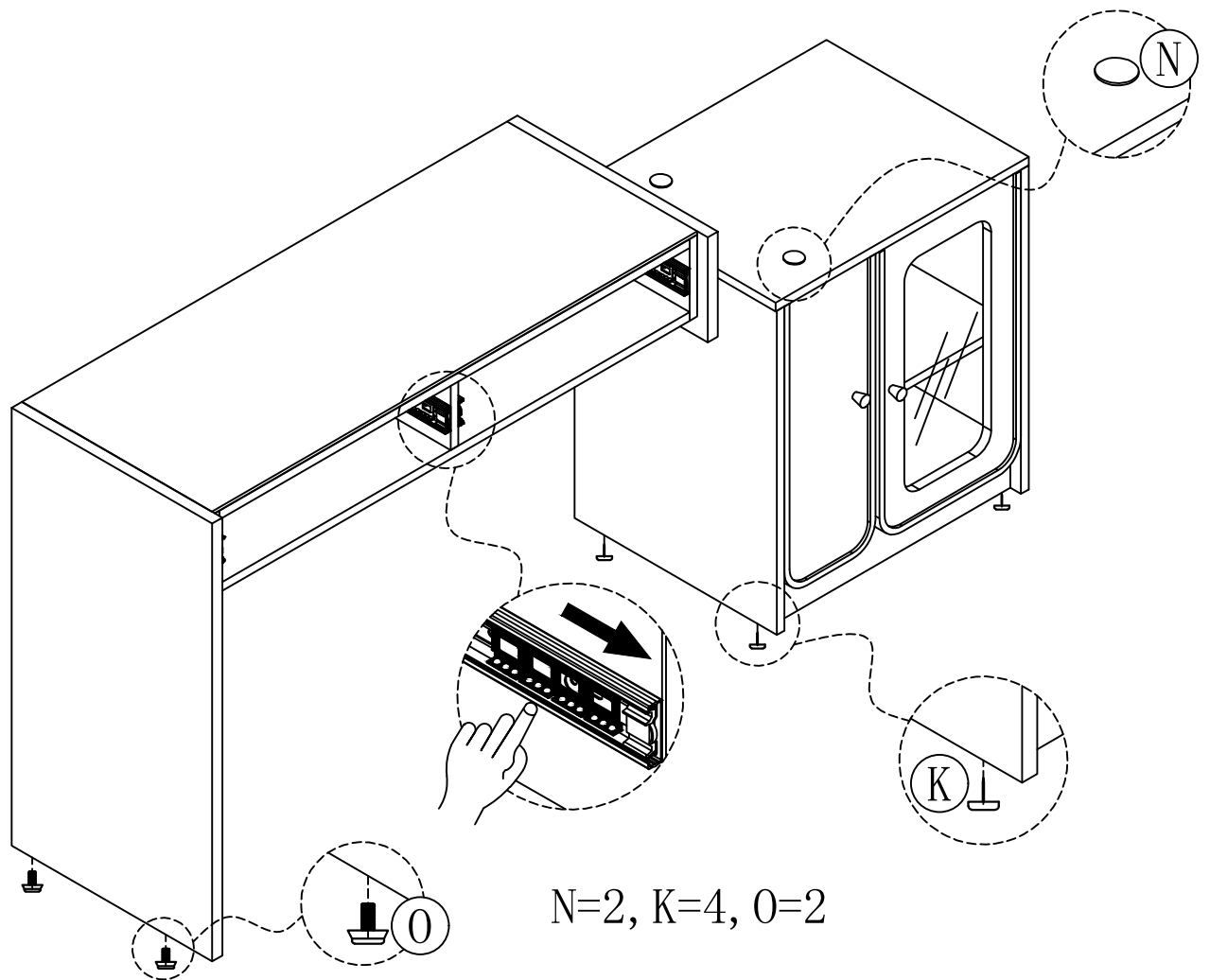


### Step 25





# Step 28



# Step 29

