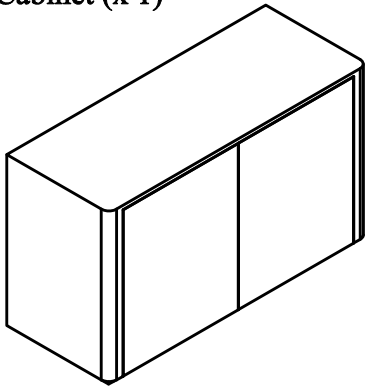
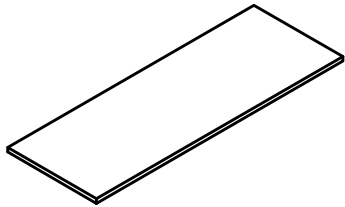


# WRC61008 ASSEMBLY INSTRUCTION

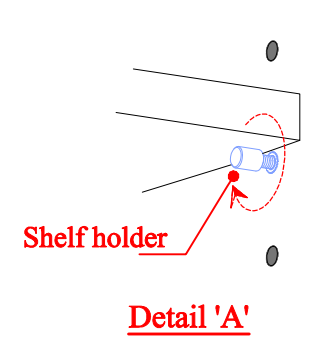
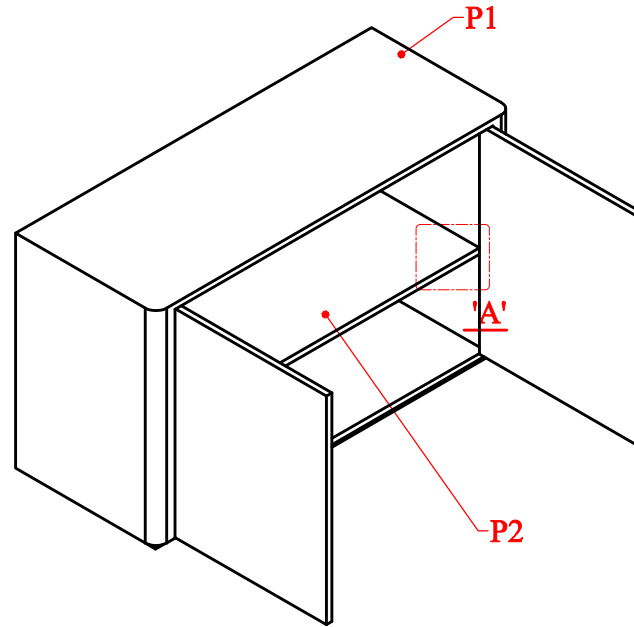
**P1** Cabinet (x 1)



**P2** Shelf panel (x 1)



**P3** Brass shelf holder (x2)



Detail 'B'

