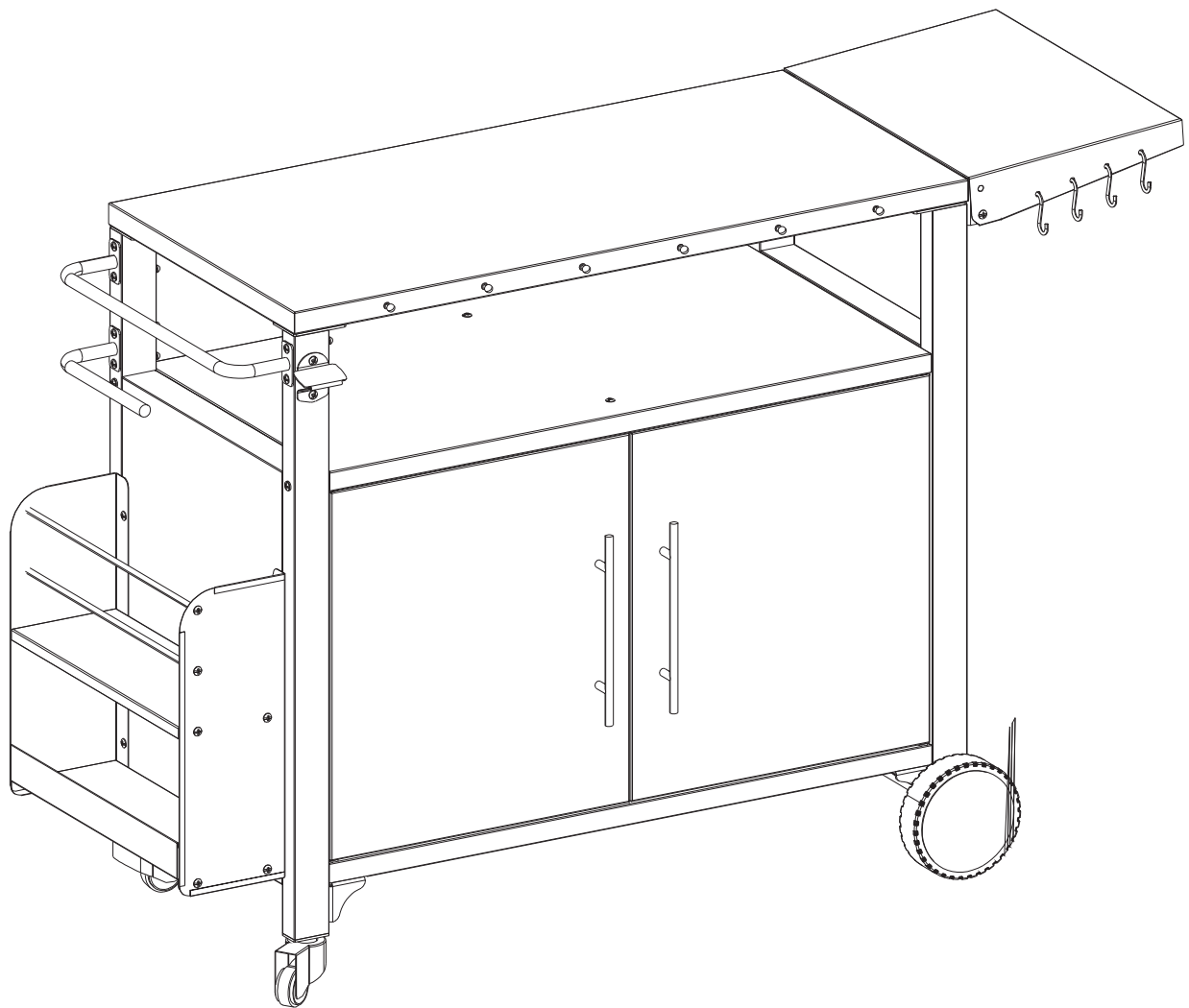


Rolling Outdoor Kitchen Island

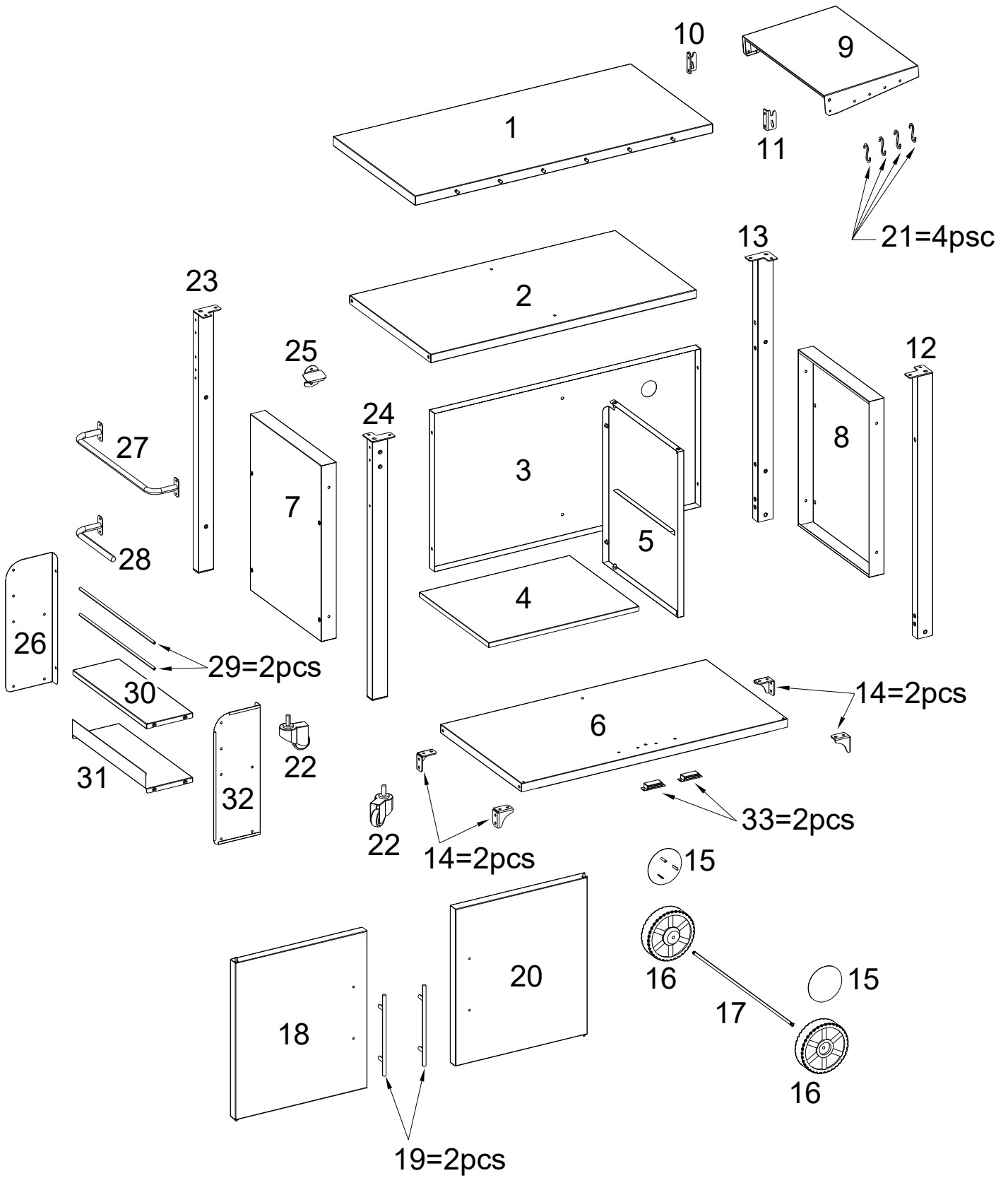
Instruction Manual



Email:help@EverythingSupport.com

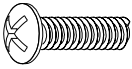
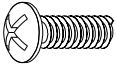
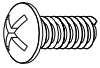
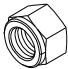

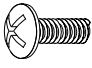

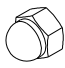
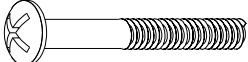
If you have any questions or concerns please feel free to contact us. We're committed to providing our customers with the quality service.

Parts List



Hardware List

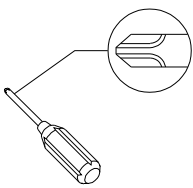
- Carefully remove all the parts from the carton and place them individually on a softcloth to prevent scratches or other damage.
- Carefully and strictly follow these assembly&installation instructions to ensure acompleted product as designed.
- Do not tighten all the screws until each part is properly assembled.

A		M6x14mm	Bolt	52 pcs
B		M6x12mm	Bolt	12 pcs
C		M6x10mm	Bolt	2 pcs
D		M8	Lock nut	2 pcs
E		M6	Gasket	10 pcs
F		M4x8mm	Bolt	8 pcs
G		M6	Lock nut	2 pcs
H		M6	Cap nut	6 pcs
I		M6x35mm	Bolt	10 pcs

Hardware List

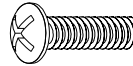
T		M6	Wrench	1 pc
---	---	----	--------	------

U		M8	Wrench	1 pc
---	---	----	--------	------

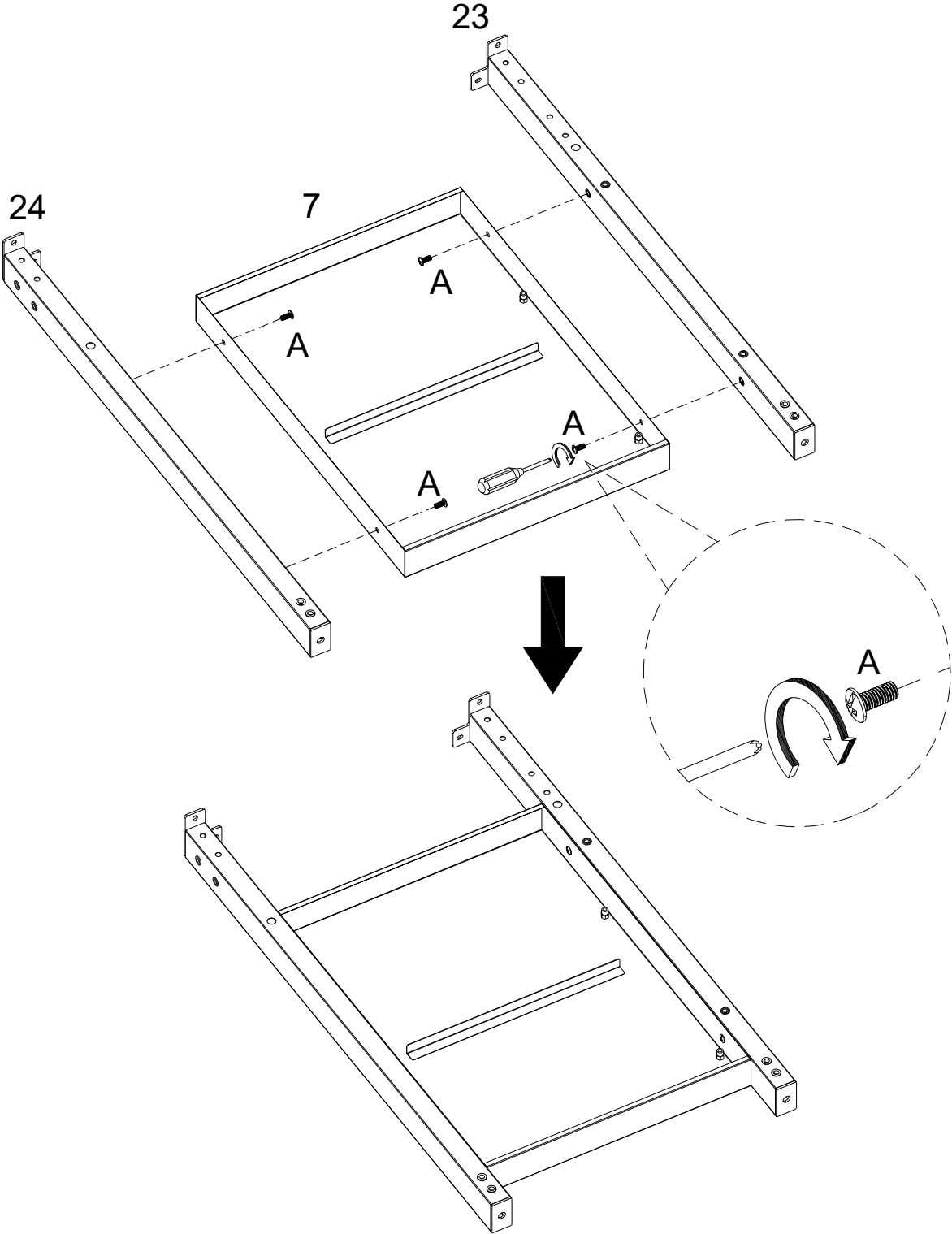


Philips head screwdriver required for assembly
(not included)

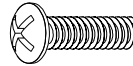
Step 1



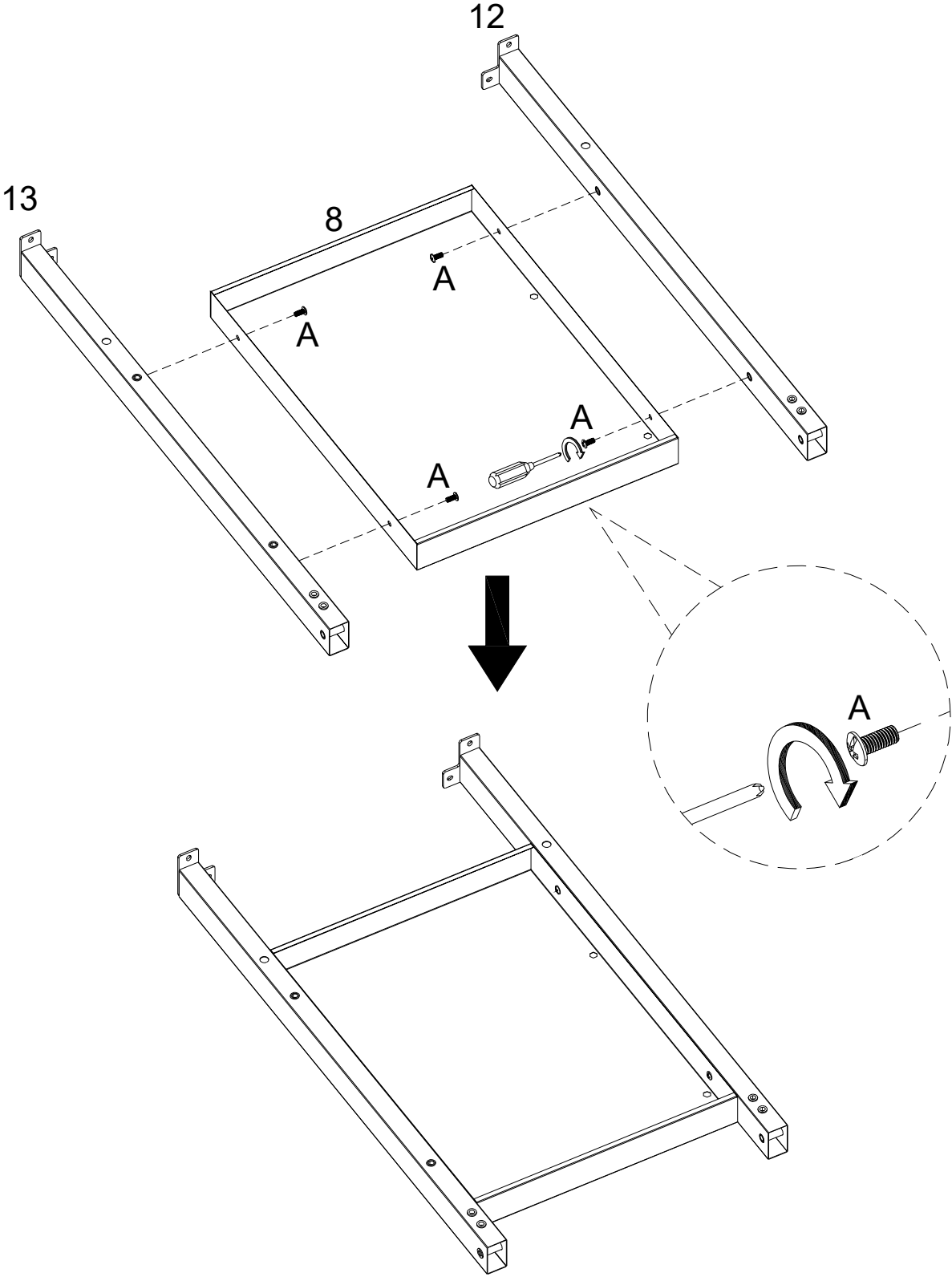
A x 4



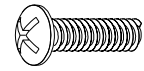
Step 2



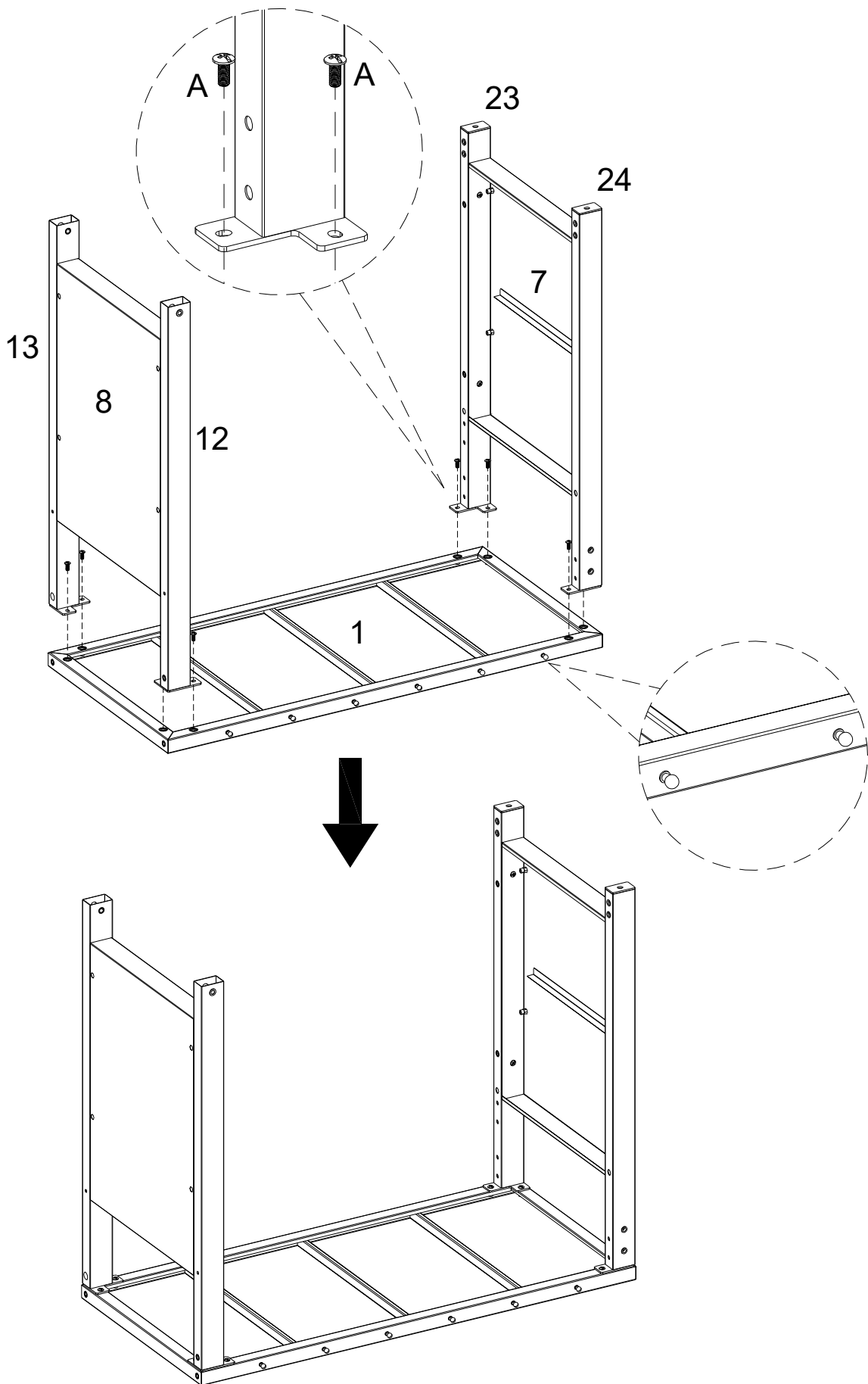
A x 4




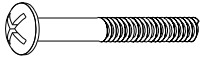
Step 3

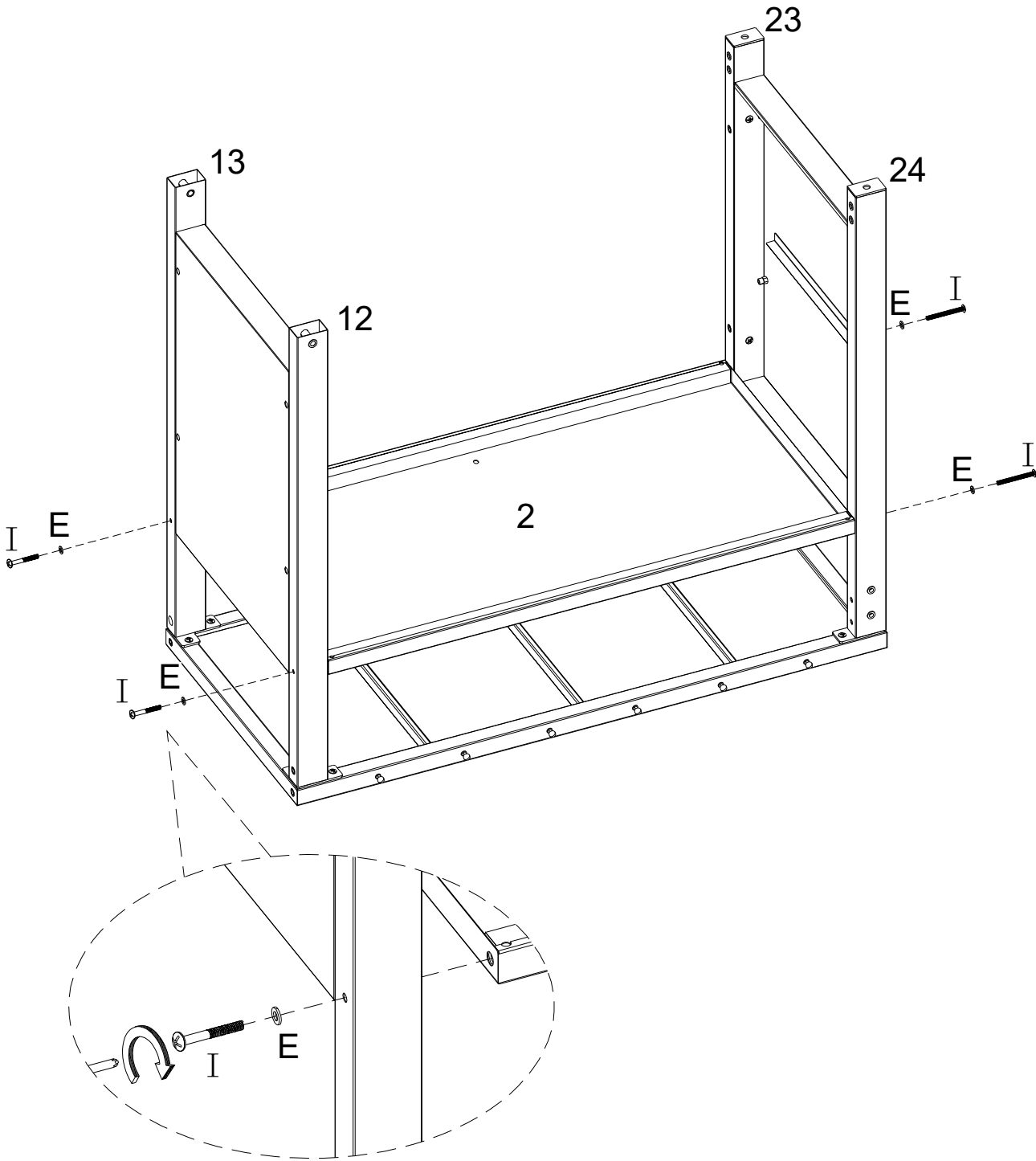


A x 8

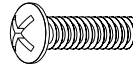


Step 4

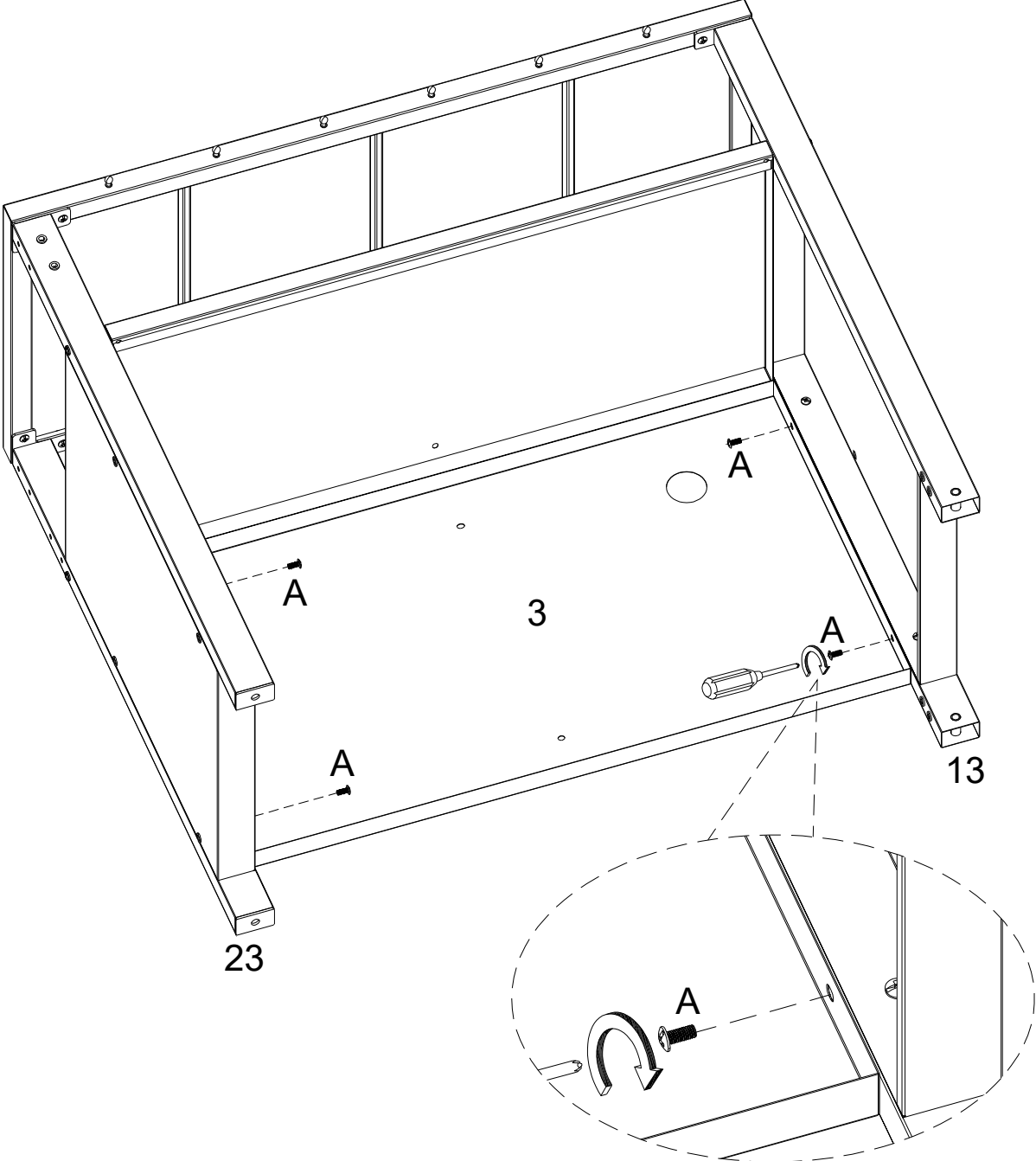
-  E x 4
-  I x 4



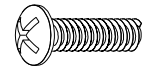
Step 5



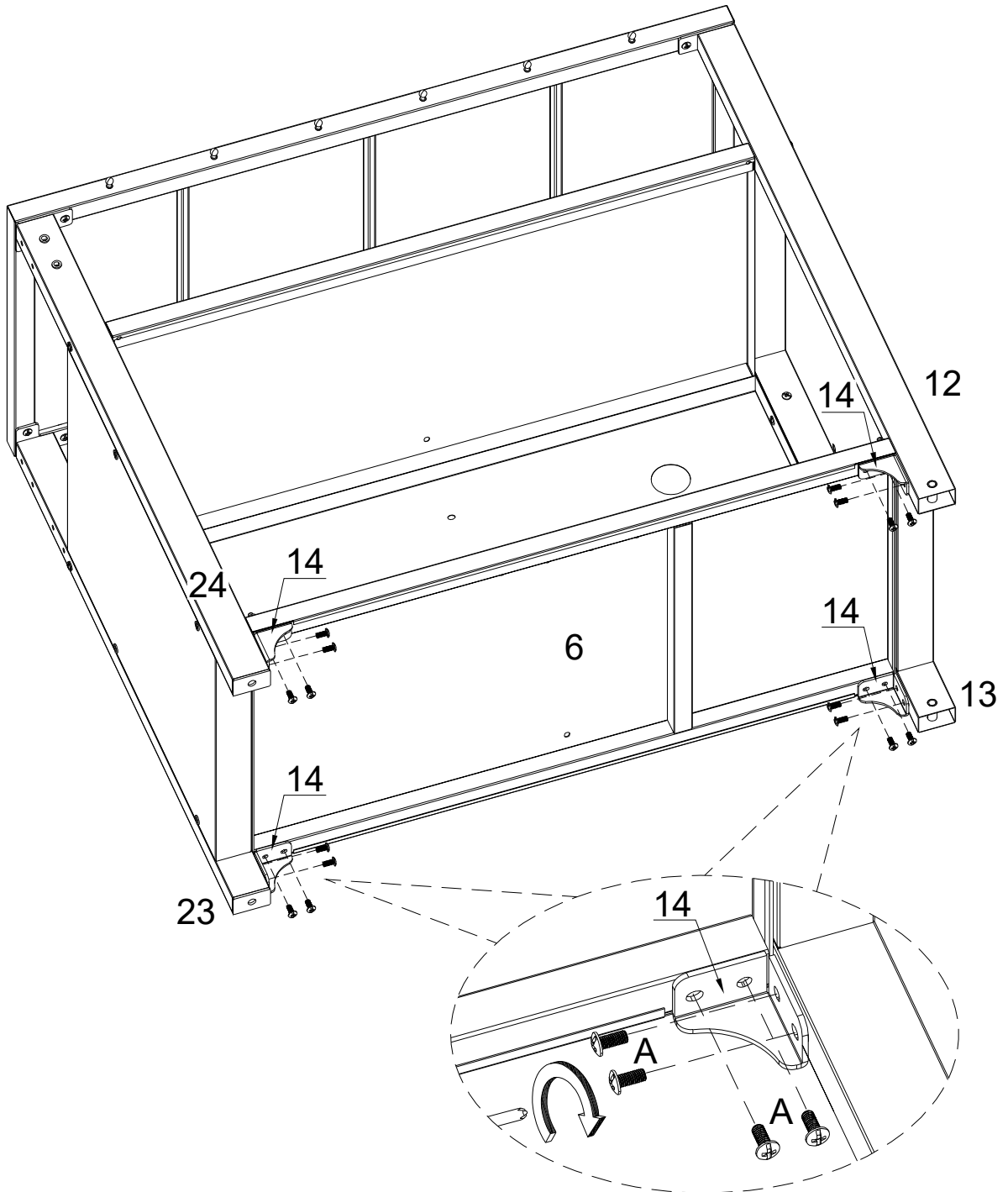
A x 4



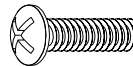
Step 6



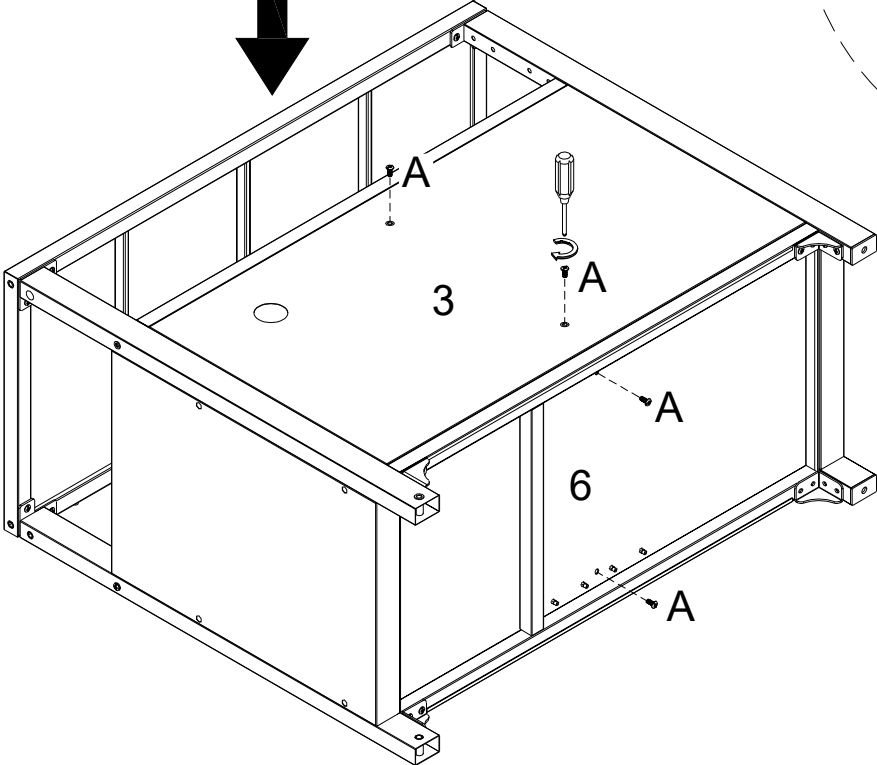
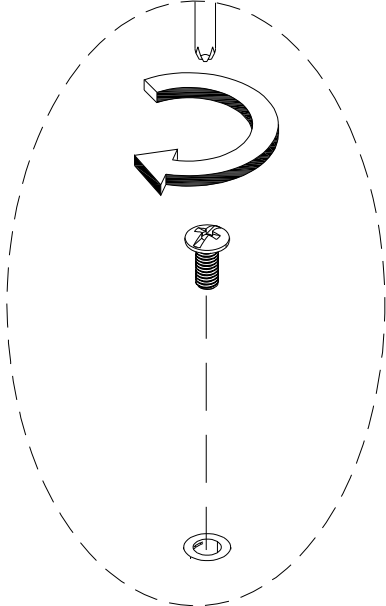
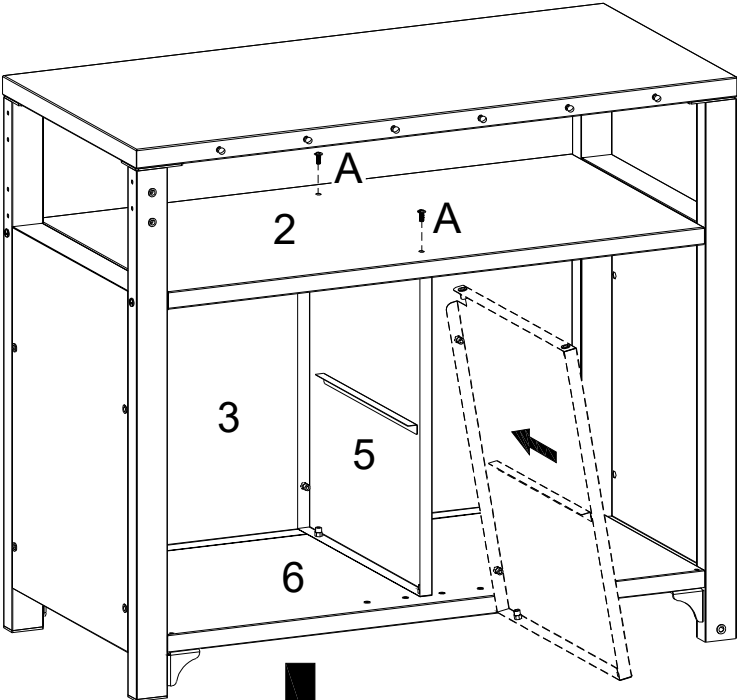
A x 16



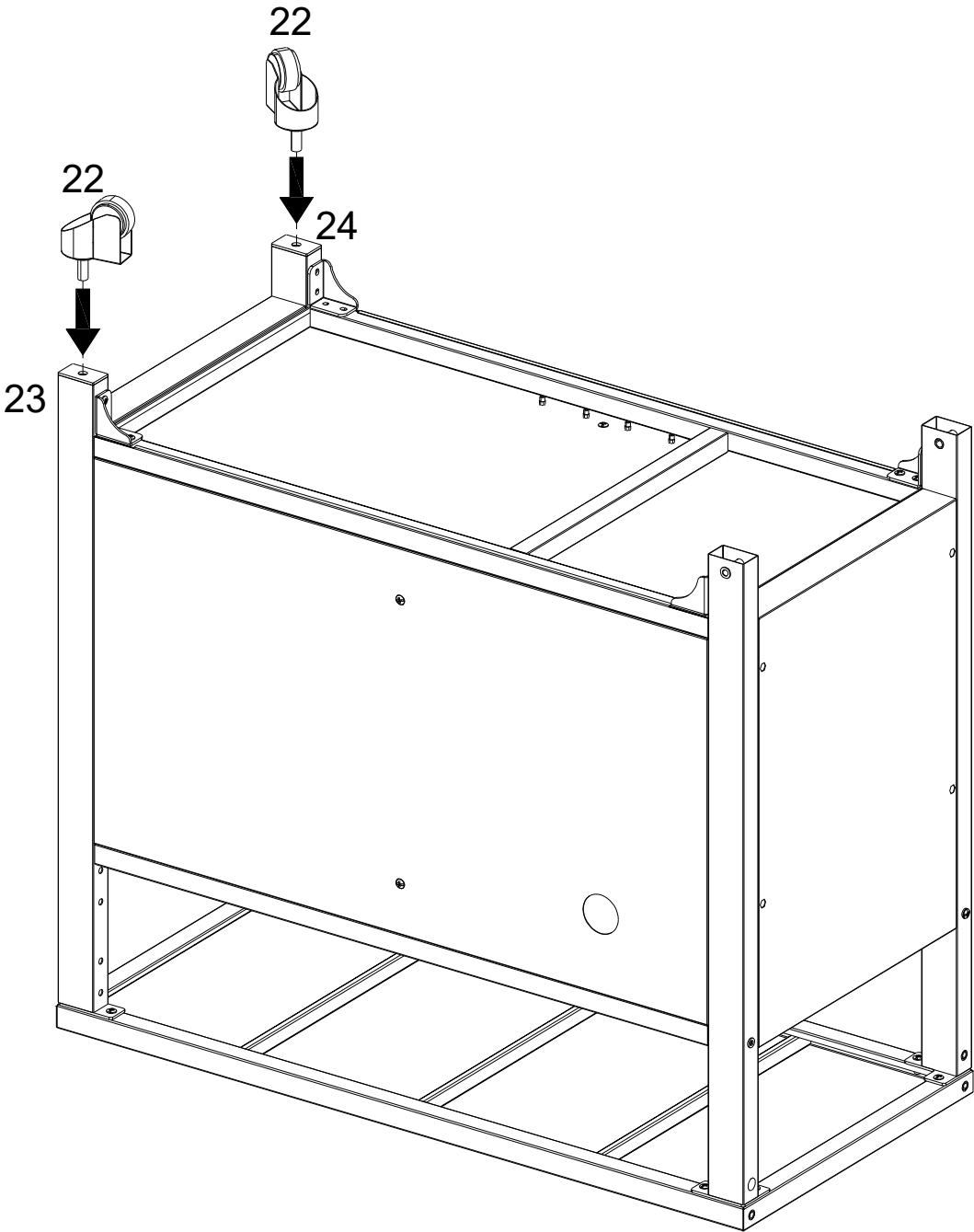
Step 7



A x 6



Step 8



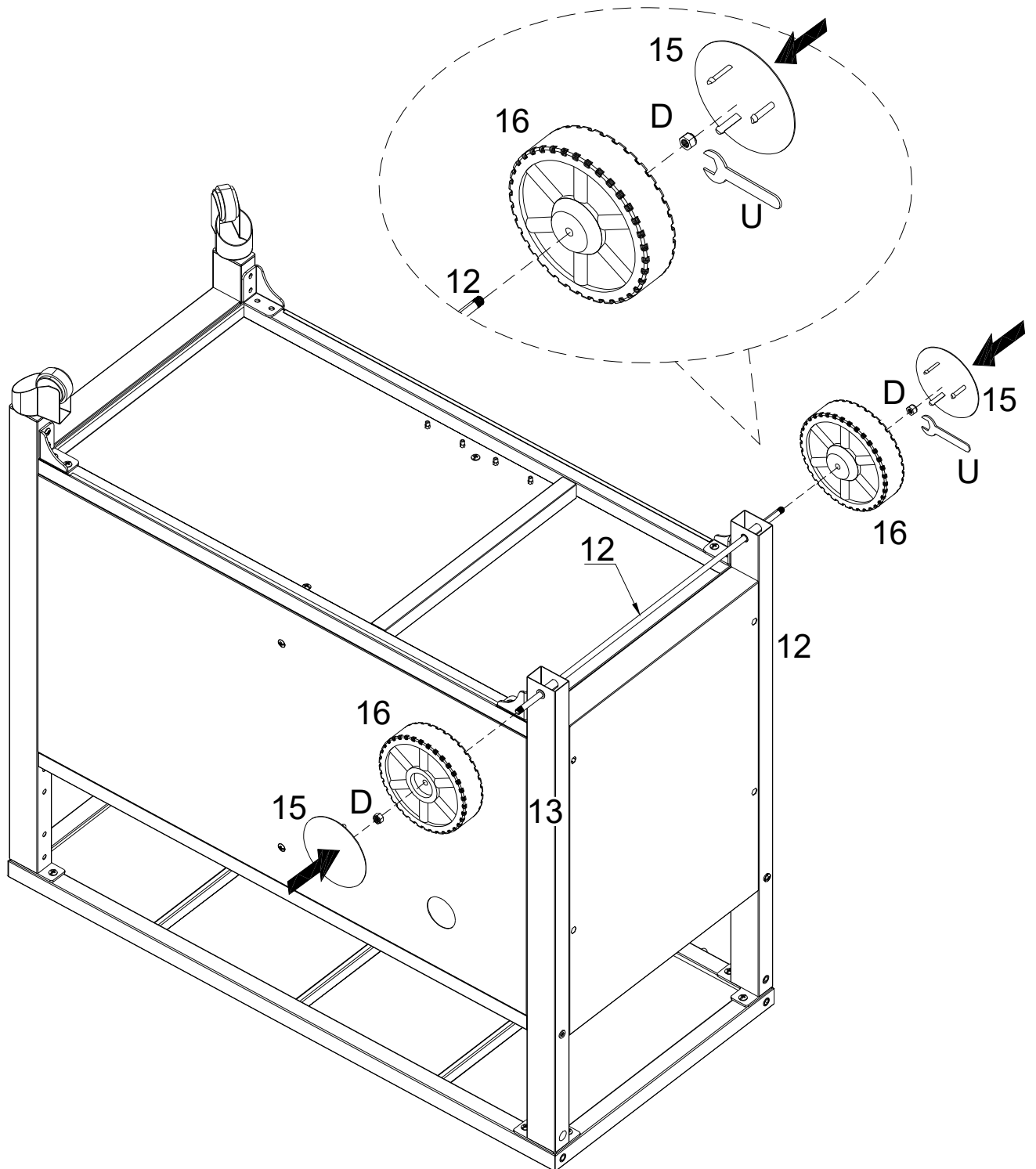
Step 9



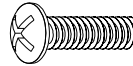
D x 2



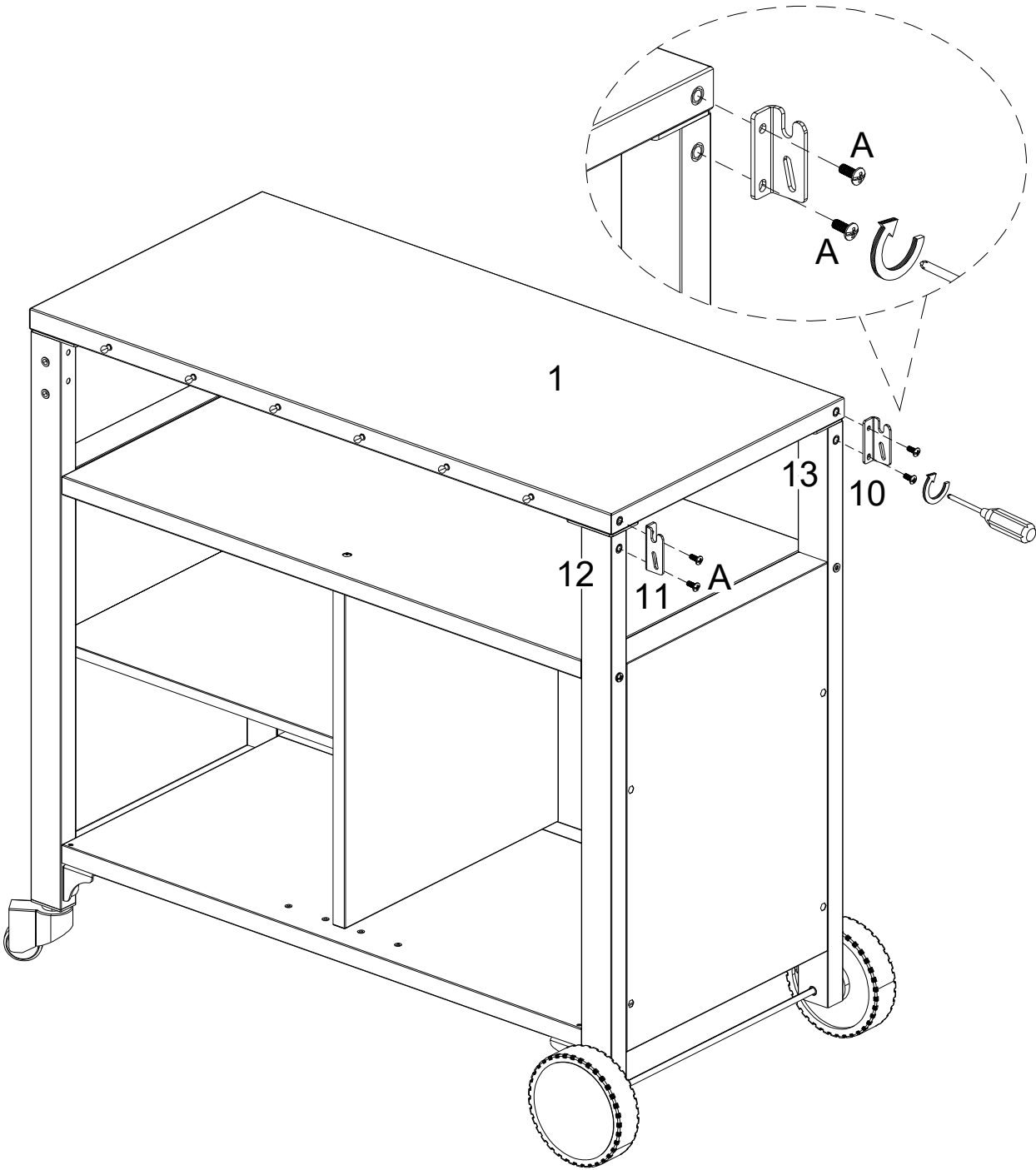
U



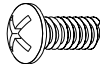
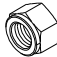
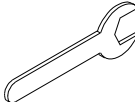
Step 10

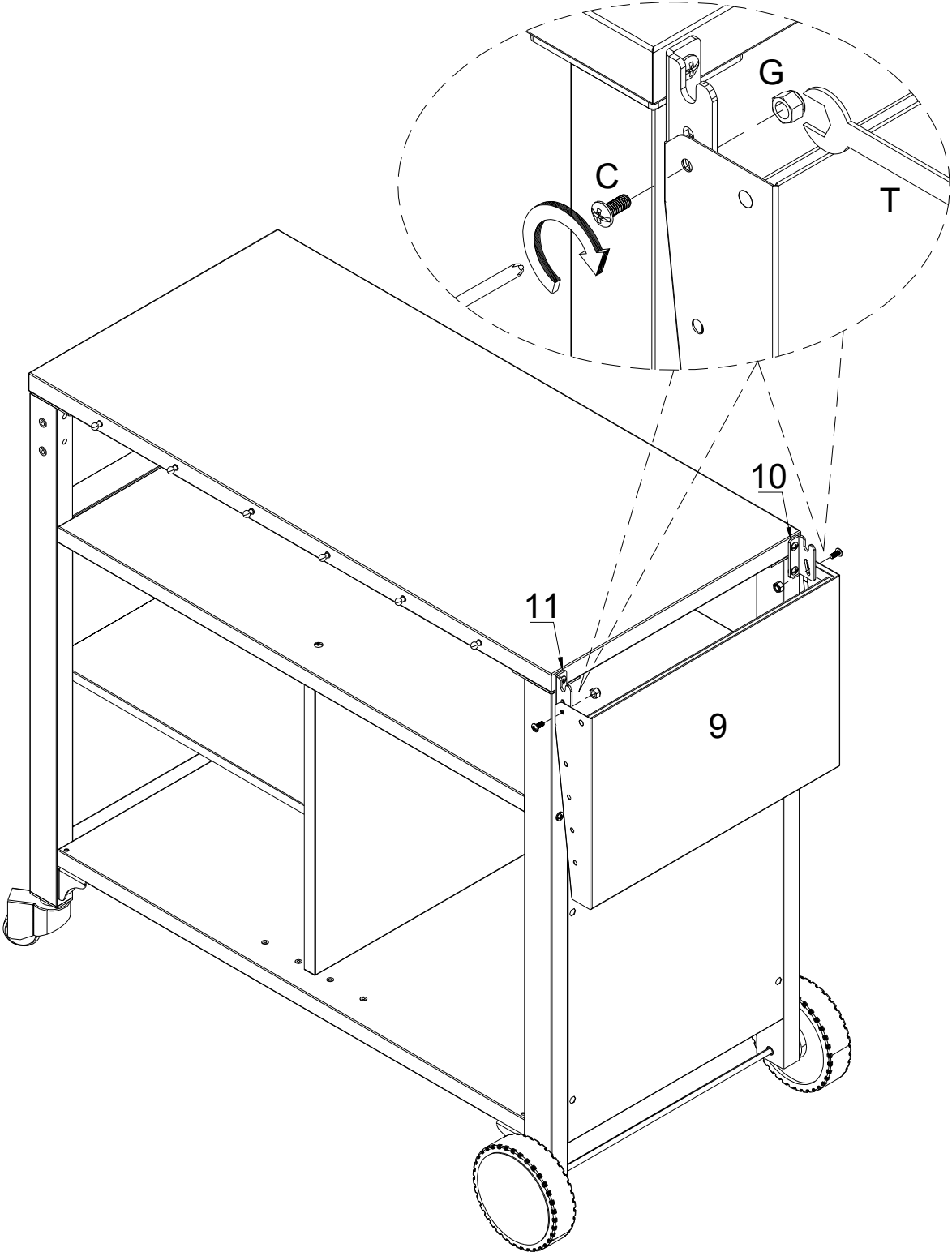


A x 4



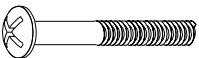
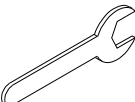


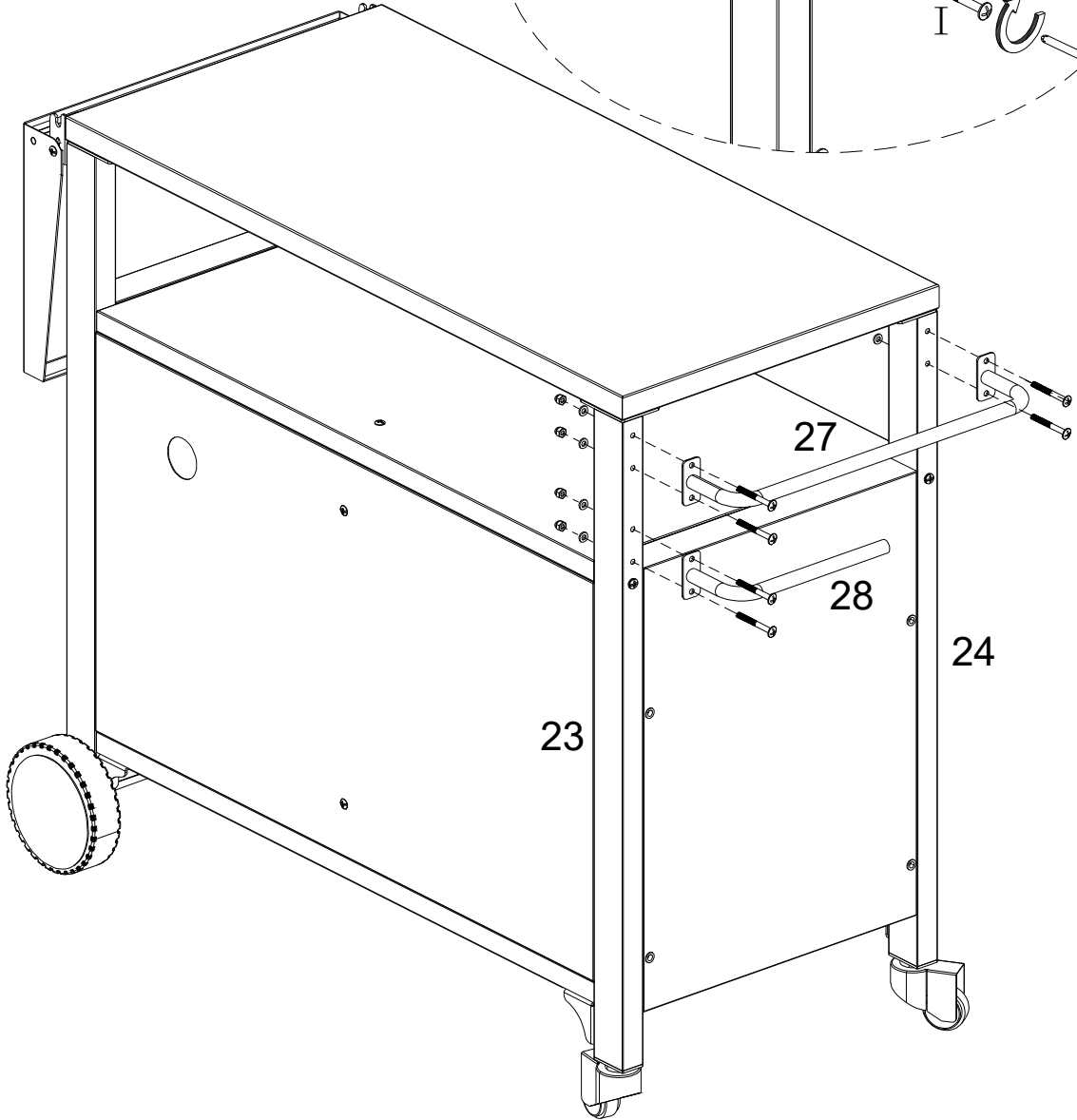
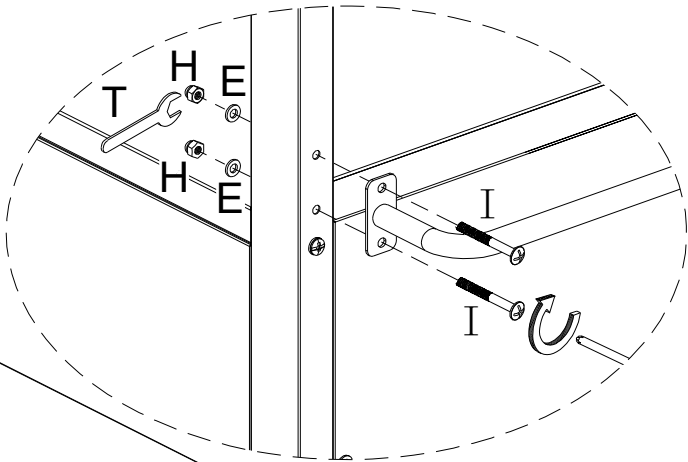
Step 11

	C x 2
	G x 2
	T

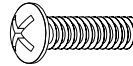


Step 12

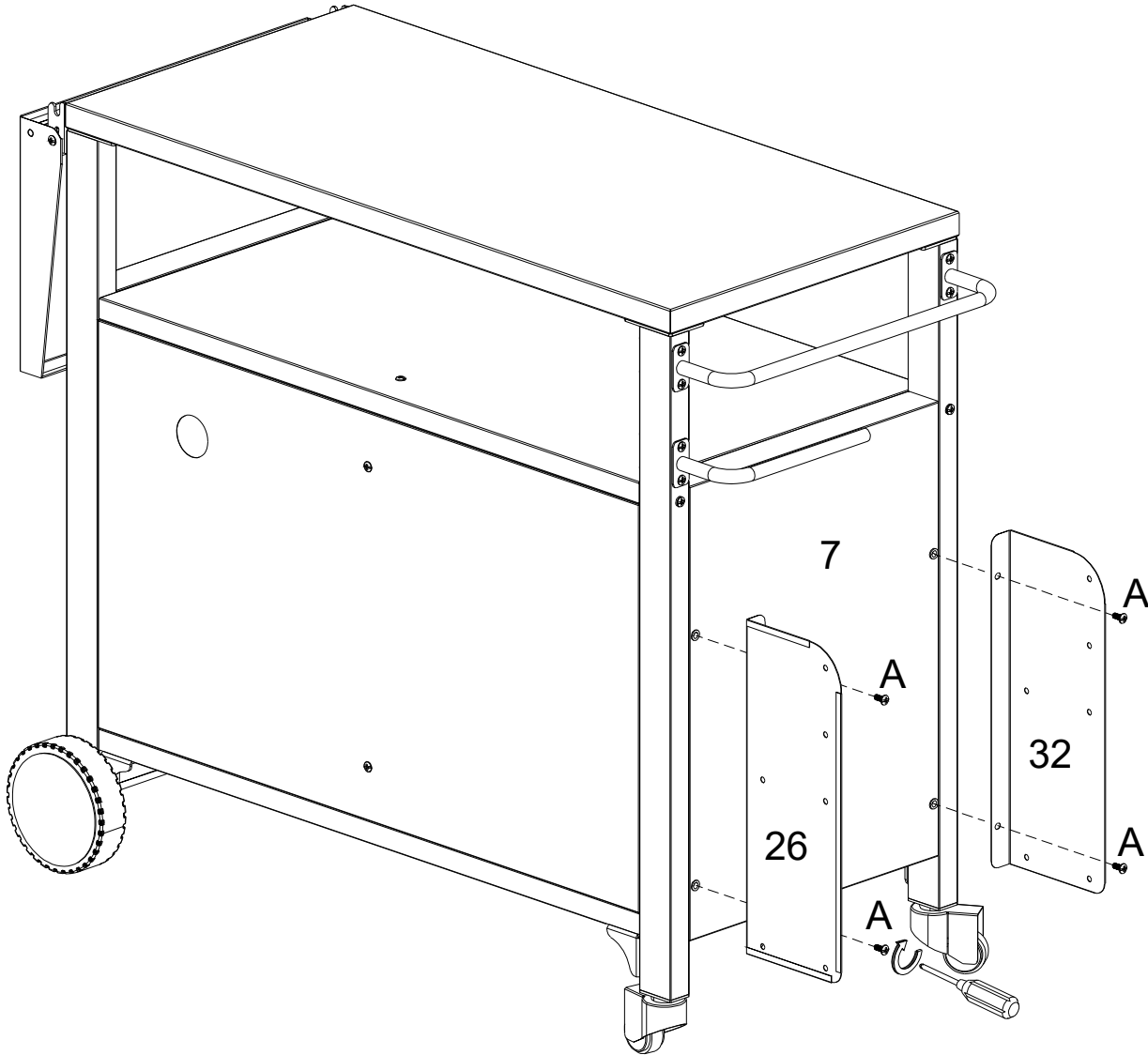
-  H x 6
-  E x 6
-  I x 6
-  T



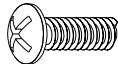
Step 13



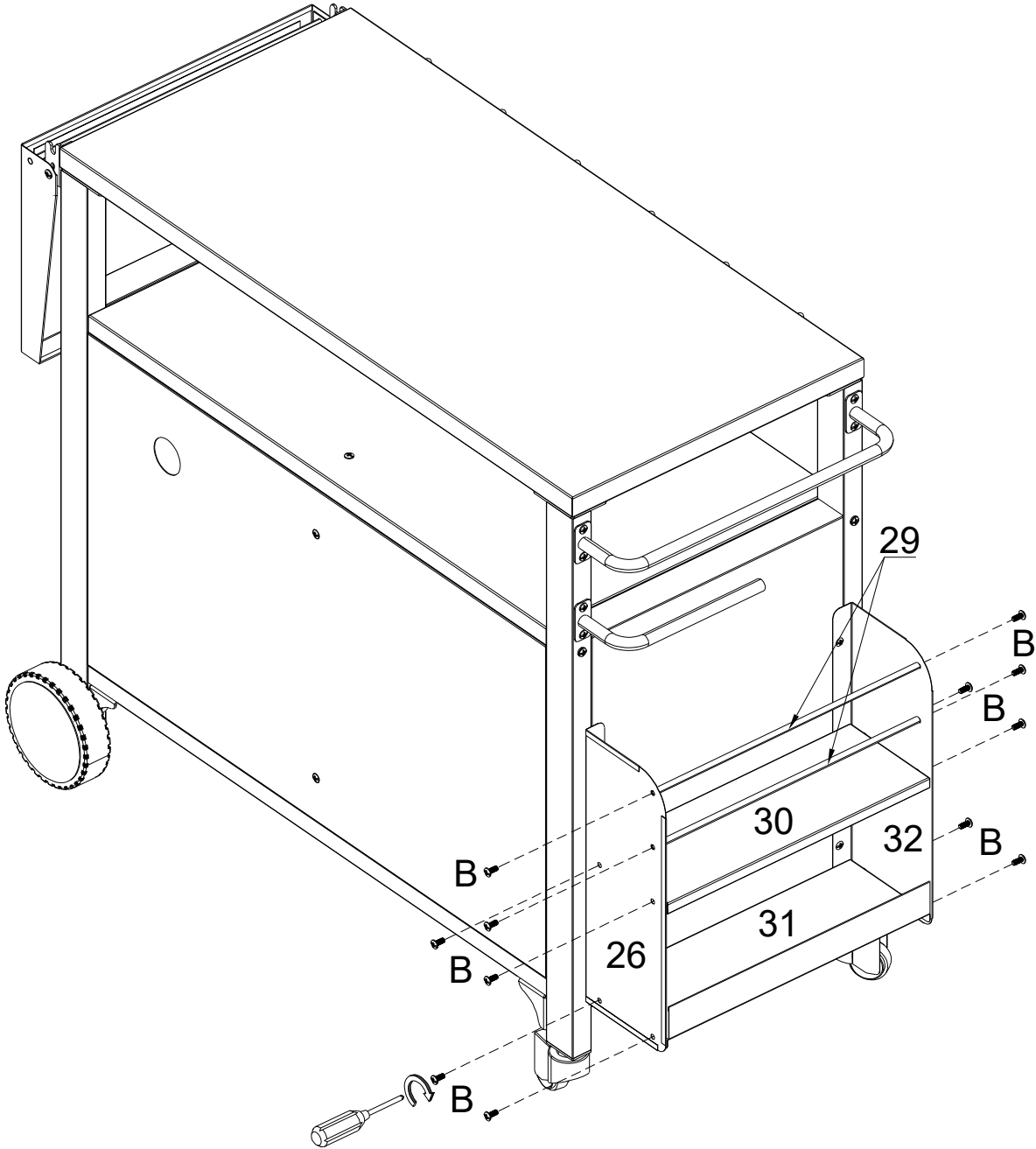
A x 4



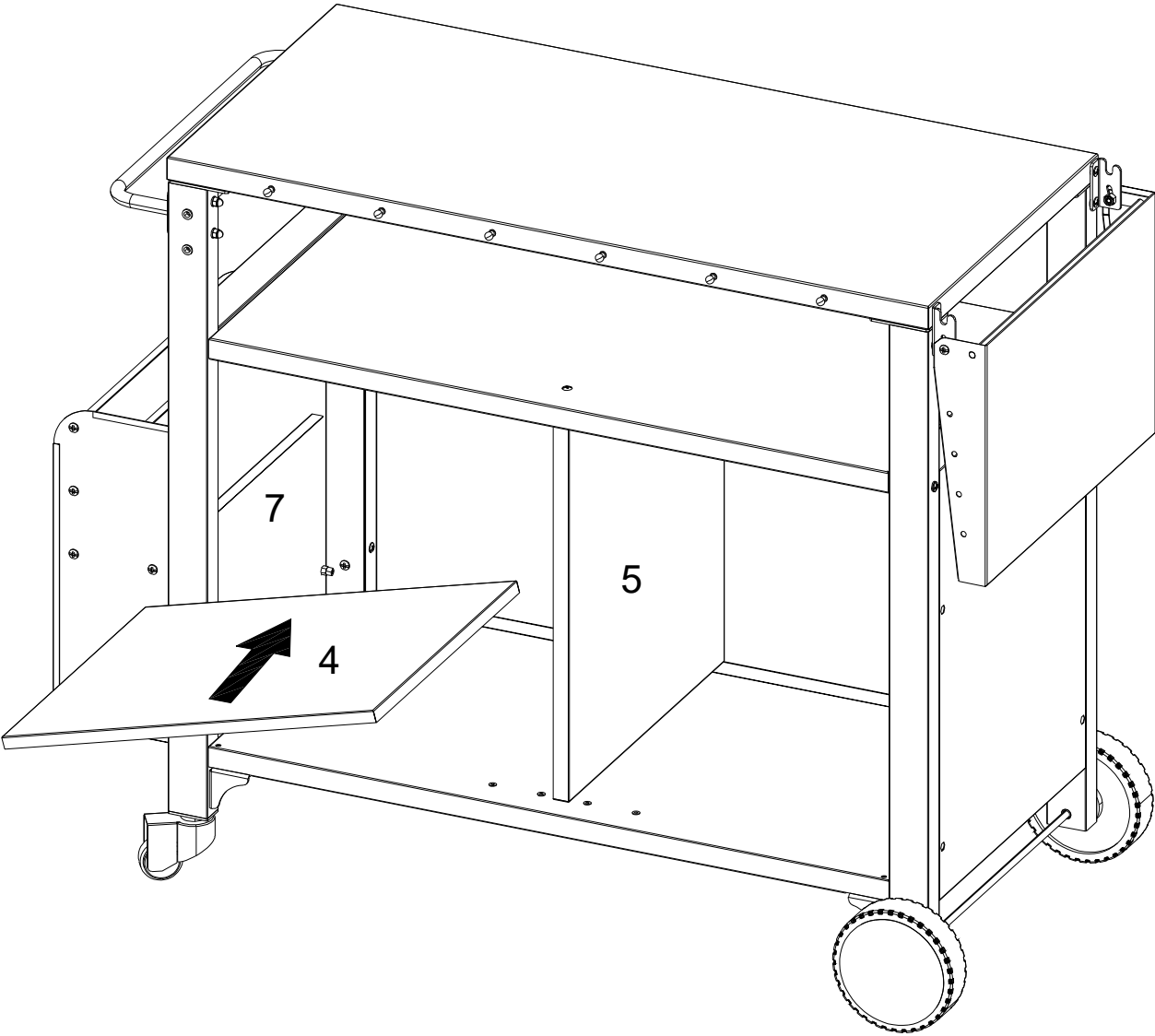
Step 14



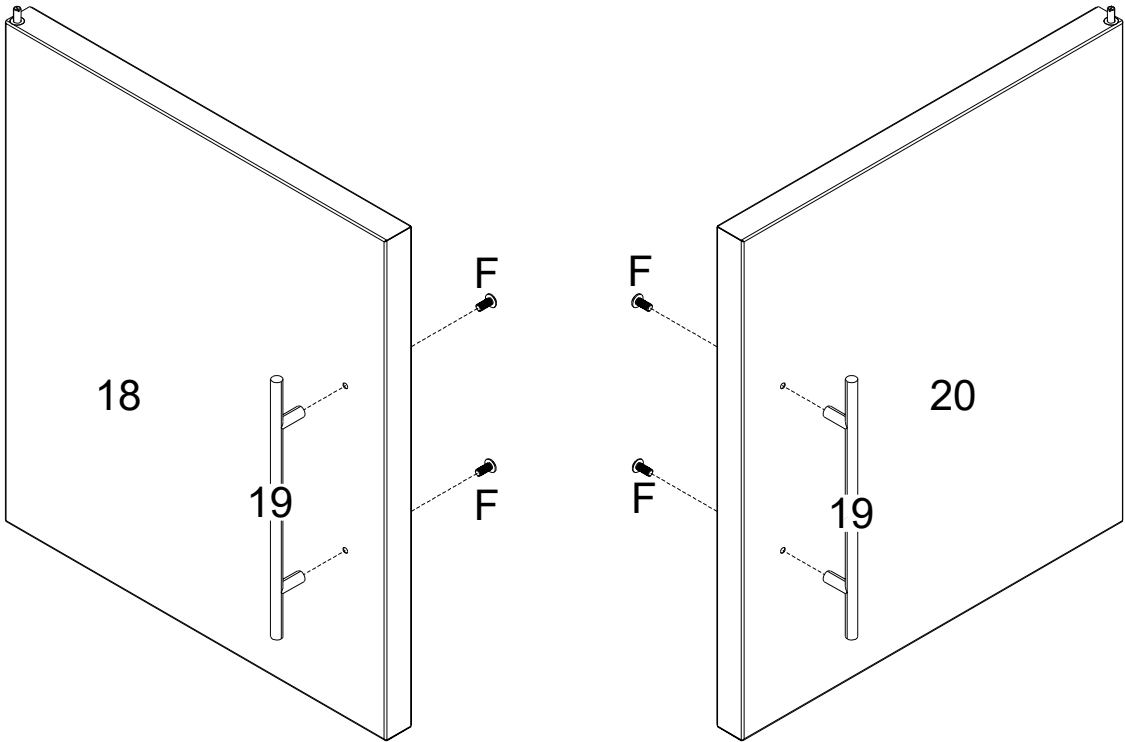
B x 12



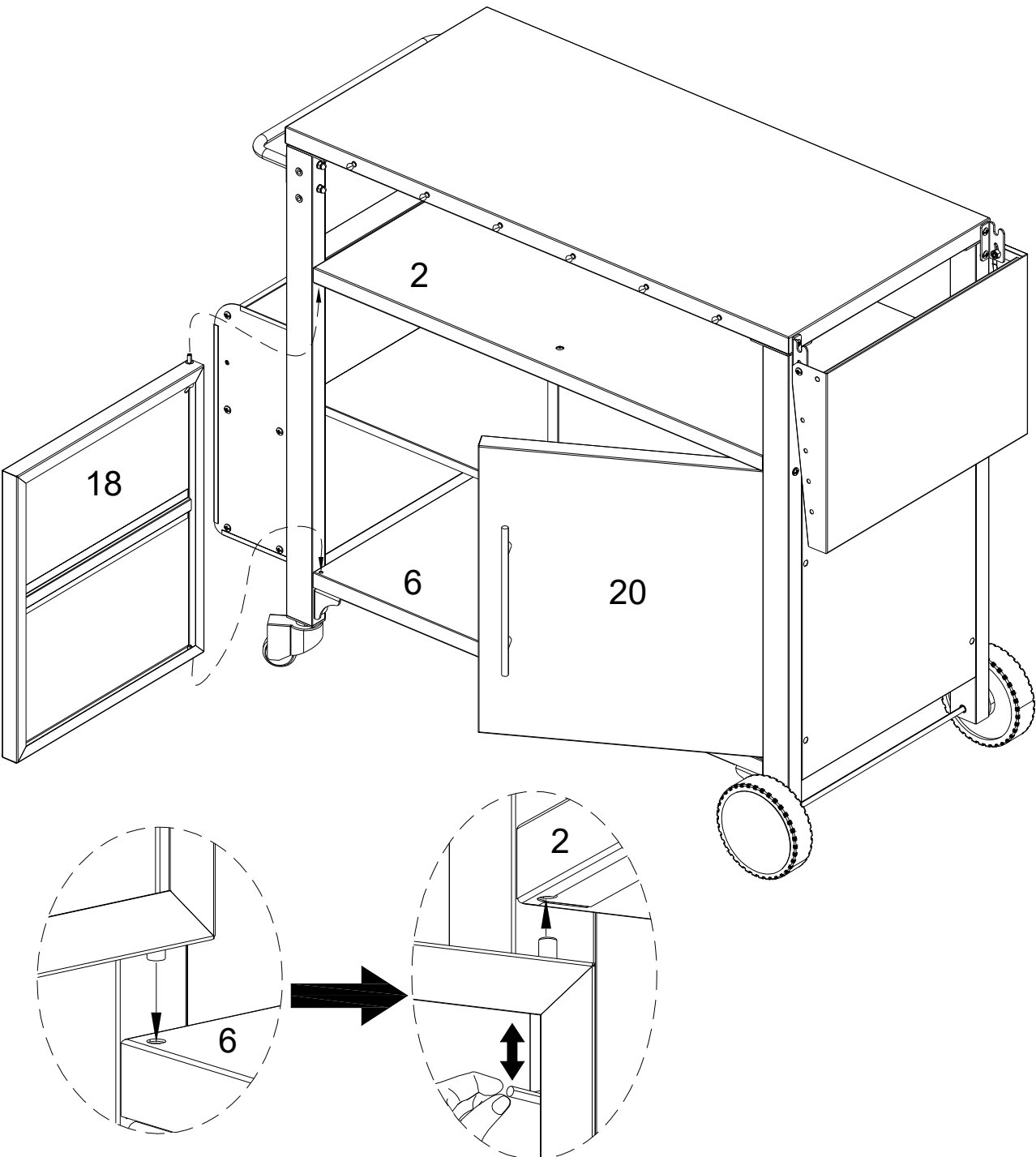
Step 15



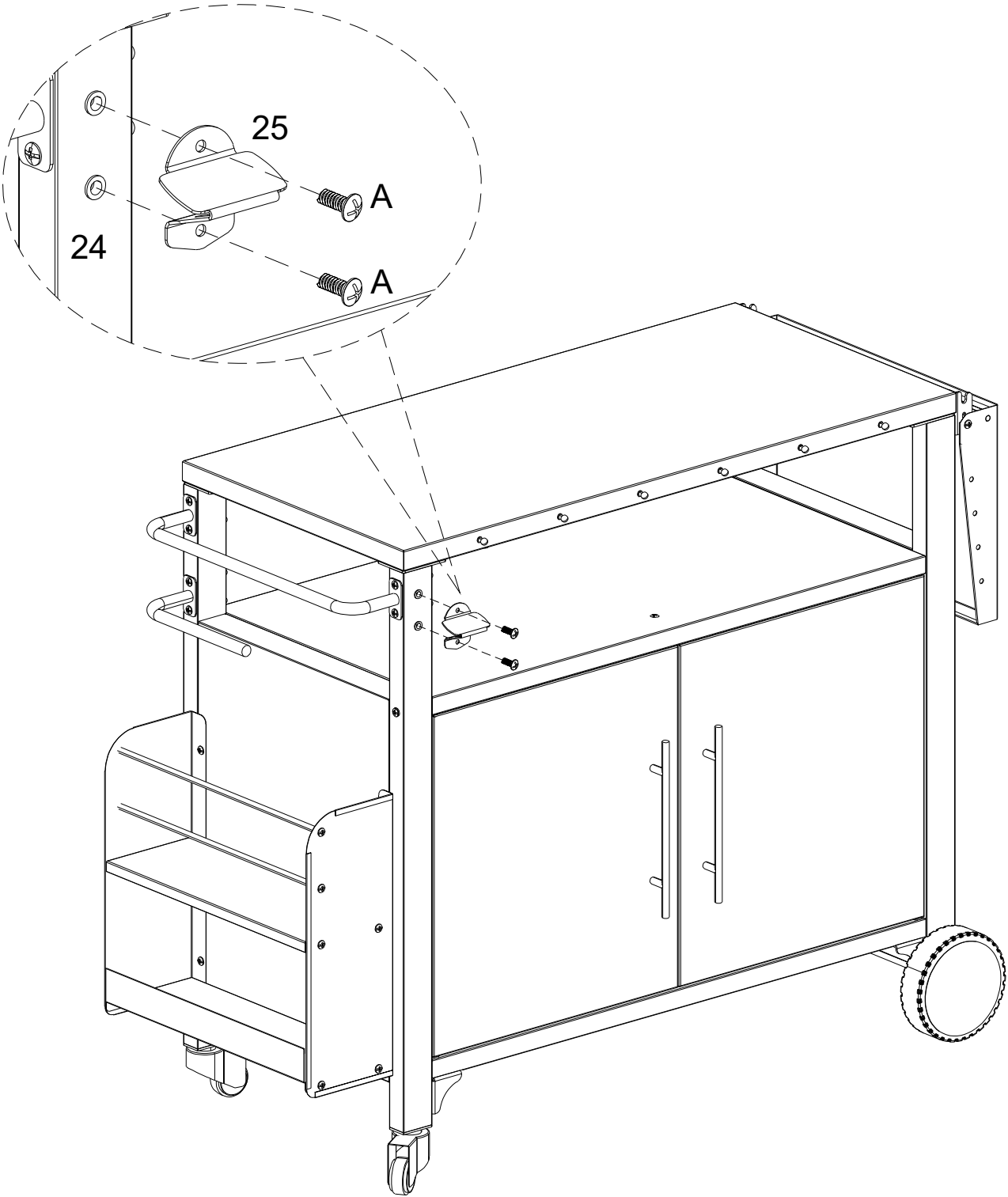
Step 16



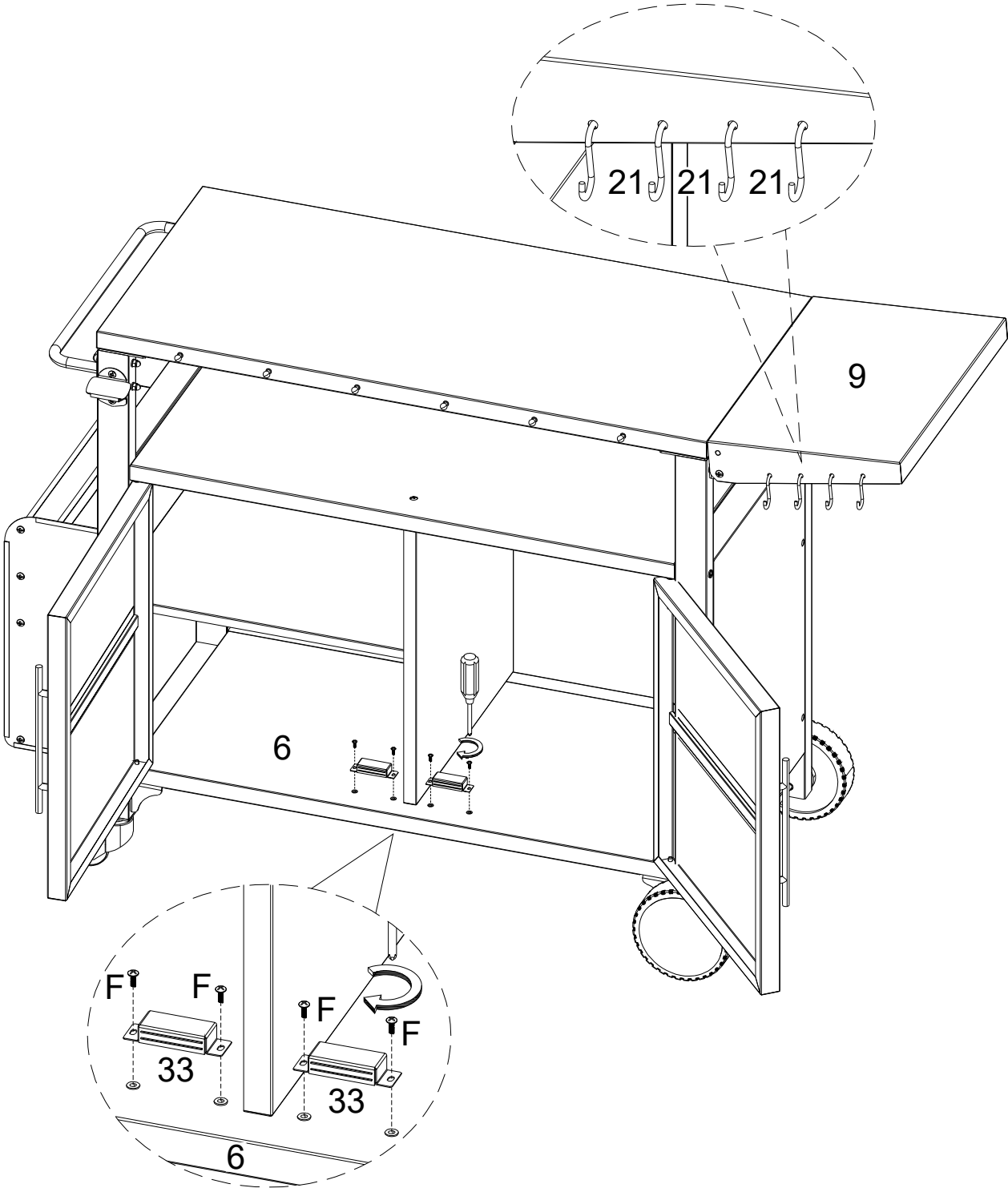
Step 17



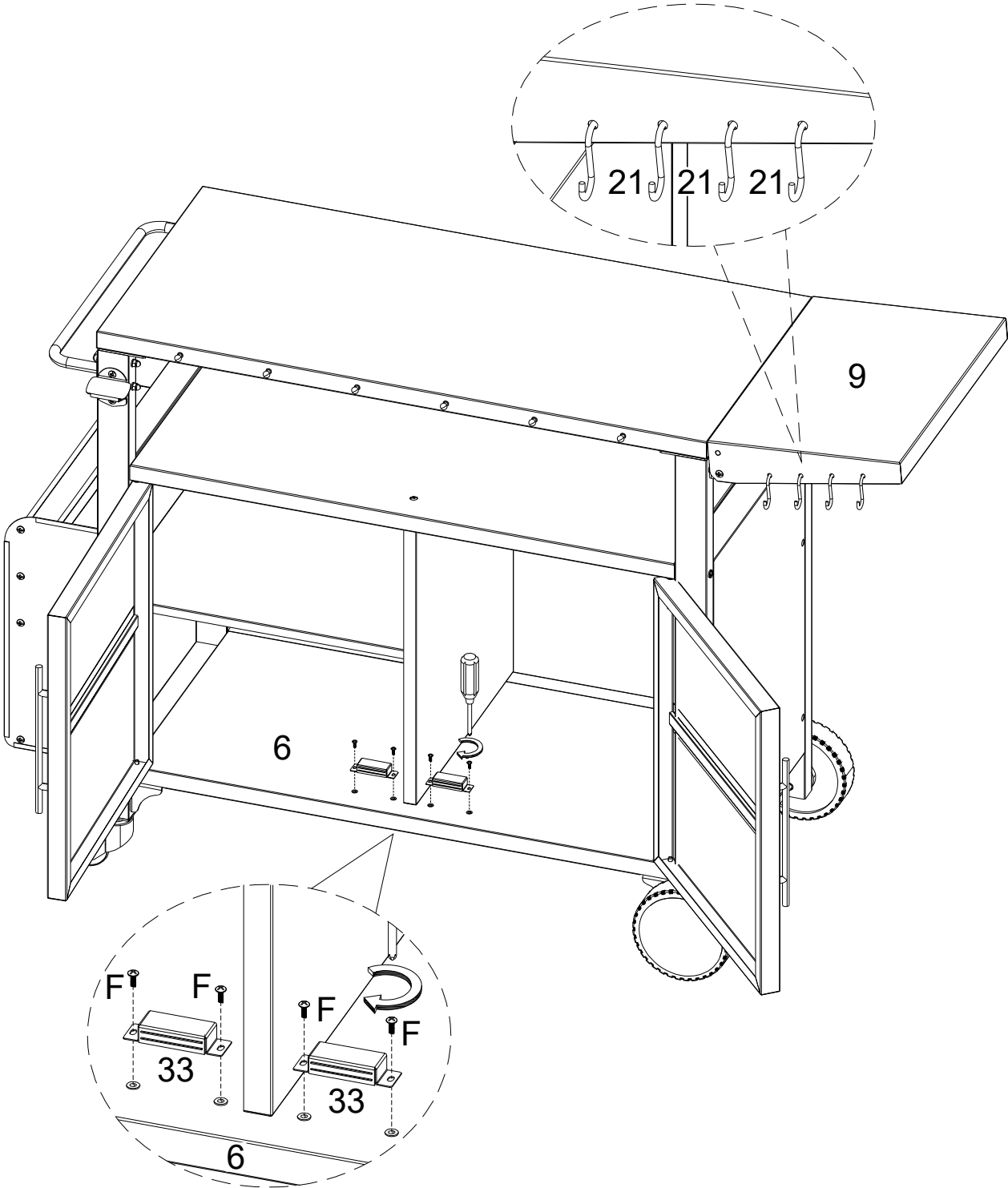
Step 18



Step 19



Step 19



AFTER-SALES SERVICE CARD

We sincerely thank you for trusting our service and our products, and may this product add enrichment to your home. We guarantee that the product has undergone strict quality inspection and meticulous packaging. If you encounter any issue regarding either shipping or the product, please feel free to contact us at any time. We'd be more than happy to serve you wholeheartedly.

Yours Sincerely

- Please avoid harsh, corrosive and abrasive cleaners.

Customer Service: contact help@EverythingSupport.com

Address: 3005 Breckinridge Blvd, Suite 200, Duluth, GA 30096

If you have any questions or concerns please feel free to contact us. We're committed to providing our customers with the quality service.