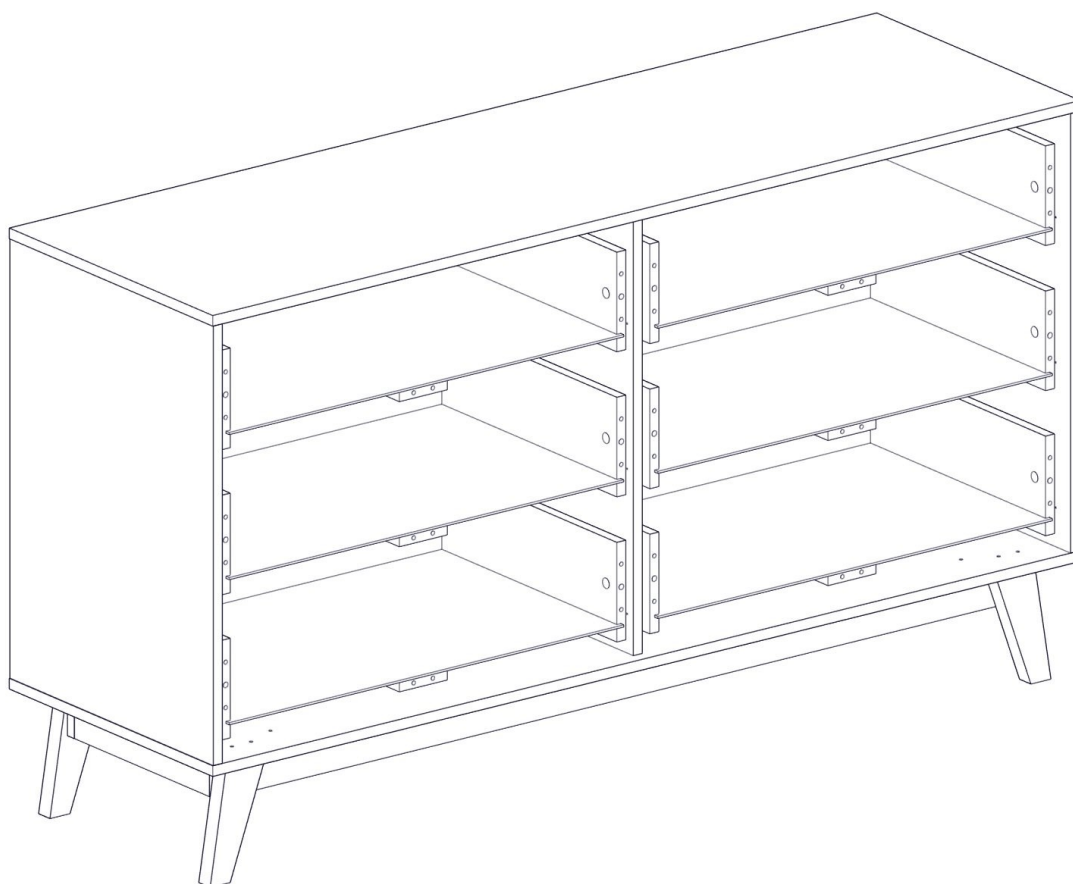


Assembly instructions

Warning -CHOKING HAZARD - Small Parts Not for children under 3 years. Adult assembly required.

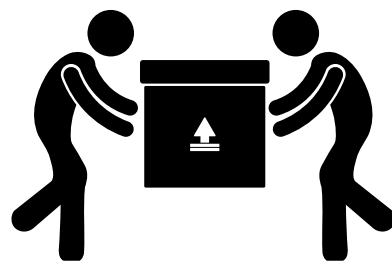
EU2505



Images for illustrative purposes only.

ASSEMBLY INSTRUCTIONS

To assemble it, **2 people** are required.



Tools required for assembly.
Tools NOT provided.



CHOKING HAZARD - This product contains small parts. Keep out of reach of children.

If in doubt, contact our customer service:

1 CS@K1intlgrp.com or Toll-free 1-877-250-2820



ASSEMBLY INSTRUCTIONS

Follow the assembly steps carefully as indicated in the manual.



Before starting the assembly, identify and separate all the parts and accessories.



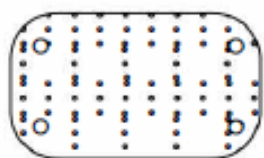
During assembly, keep parts and accessories organized to avoid accidents.



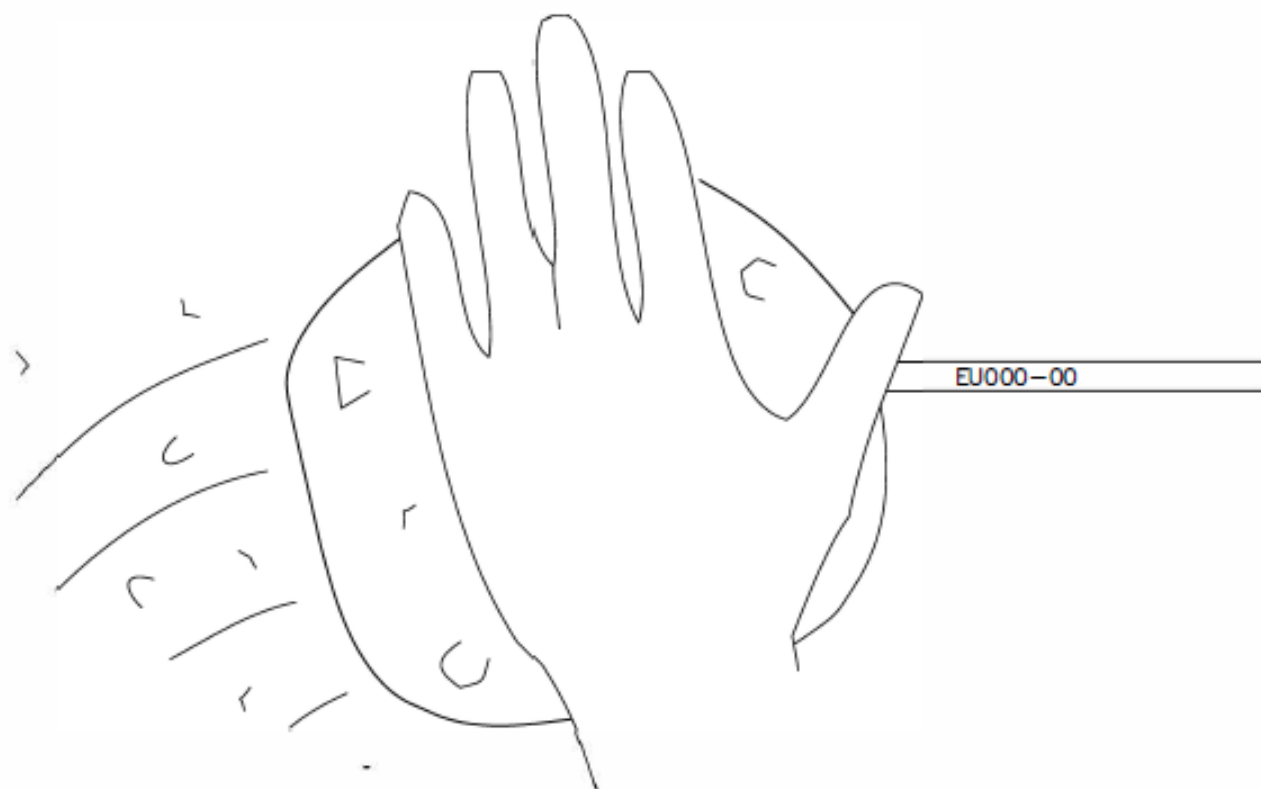
To protect your furniture, assemble it on a clean and flat surface.

Tip: You can use the product packaging to line the area where the assembly will be done.





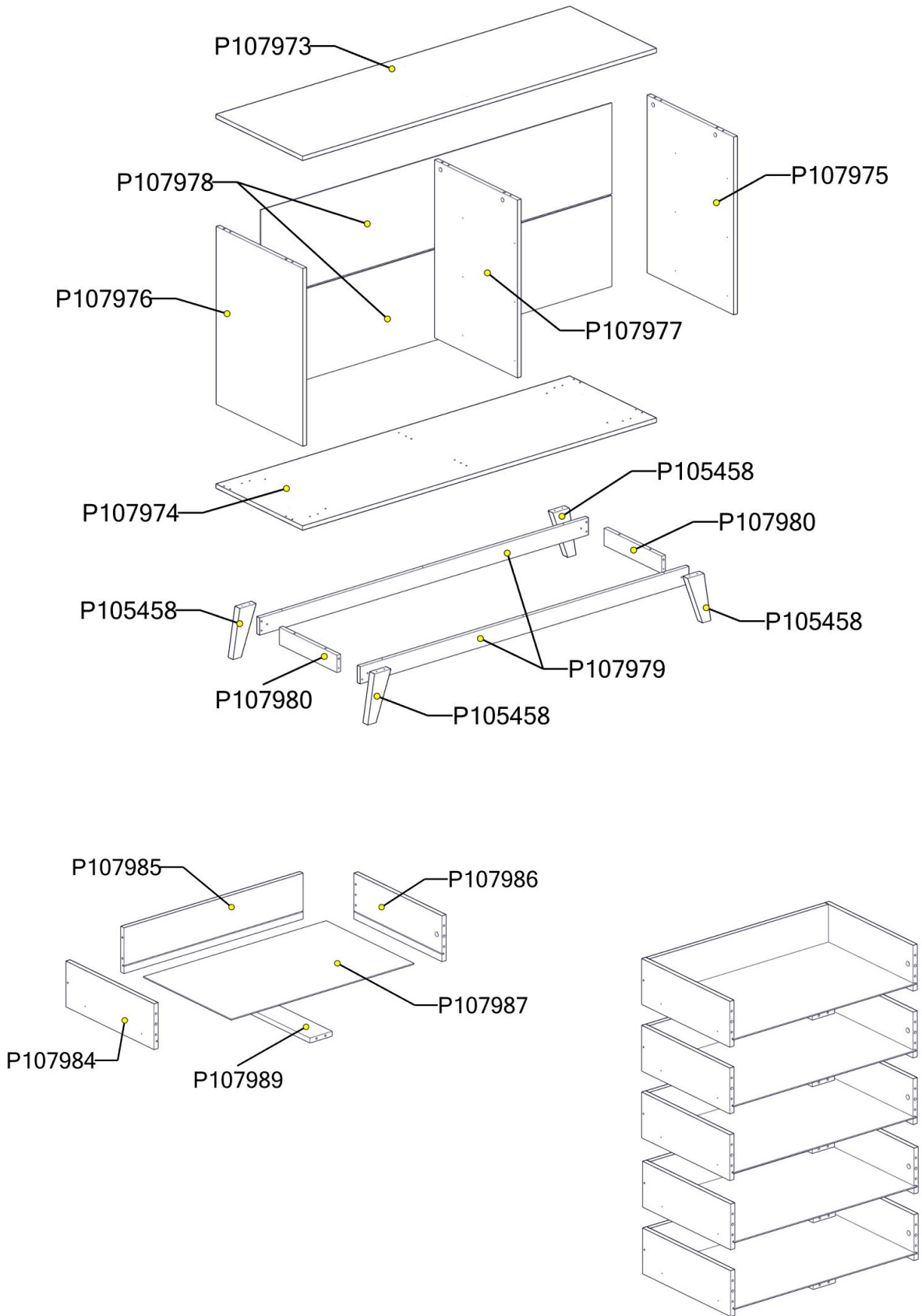
To Remove the printed number, apply a small amount of Glass Cleaner or Hand sanitizer and wipe with a paper towel.



PARTS IDENTIFICATION





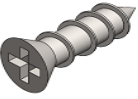



QTD.	CÓDIGO / CODE	DESCRIÇÃO (Internal production data)	DESCRIPTION	C x L x E	L x W x T
4	P105458	PE	FOOT OF FURNITURE	181 x 66 x 25 mm	7.13 x 2.60 x 0.98 in
1	P107973	TAMPO	TOP	1447 x 447 x 15 mm	56.97 x 17.60 x 0.59 in
1	P107974	BASE	BASE	1447 x 447 x 15 mm	56.97 x 17.60 x 0.59 in
1	P107975	LATERAL DIREITA	RIGHT SIDE	618 x 447 x 15 mm	24.33 x 17.60 x 0.59 in
1	P107976	LATERAL ESQUERDA	LEFT SIDE	618 x 447 x 15 mm	24.33 x 17.60 x 0.59 in
1	P107977	DIVISORIA	PARTITION	618 x 428 x 15 mm	24.33 x 16.85 x 0.59 in
2	P107978	COSTA	COAST	1435 x 316 x 3 mm	56.50 x 12.44 x 0.12 in
2	P107979	RODAPE	BASEBOARD	1344 x 60 x 15 mm	52.91 x 2.36 x 0.59 in
2	P107980	RODAPE	BASEBOARD	297 x 60 x 15 mm	11.69 x 2.36 x 0.59 in
6	P107984	LATERAL DE GAVETA ESQUERDA	LEFT DRAWER SIDE	400 x 140 x 15 mm	15.75 x 5.51 x 0.59 in
6	P107985	CABECEIRA DE GAVETA	DRAWER HEAD	645 x 140 x 15 mm	25.39 x 5.51 x 0.59 in
6	P107986	LATERAL DE GAVETA DIREITA	DRAWER RIGTH SIDE	400 x 140 x 15 mm	15.75 x 5.51 x 0.59 in
6	P107987	FUNDO DE GAVETA	DRAWER BOTTOM	658 x 398 x 3 mm	25.91 x 15.67 x 0.12 in
6	P107989	SARRAFO	SLAT	384 x 80 x 15 mm	15.12 x 3.15 x 0.59 in

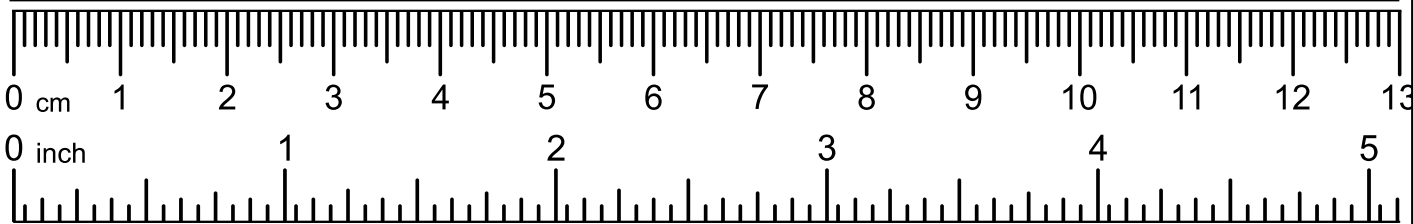
PARTS IDENTIFICATION



IDENTIFICATION OF ACCESSORIES

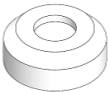
NOTE: Separating the accessories before starting assembly will make it easier. In case of doubt in the identification, place the accessory on the ruler.

	QTD.	CÓDIGO / CODE	DESCRIÇÃO (Internal production data)	DESCRIPTION
	50	000107	PREGO 10 X 10 LISO	NAIL 10 X 10
	5	000108	PREGO 12 X 12 ARDOX	NAIL 12 X 12
	5	000414	P.PANELA 4,0 X 35 CAB. PHILLIPS ZB/BC	SCREW 4,0 X 35
	2	001178	P.FLANGE 3,5 X 16 CAB. PHILLIPS BC	SCREW 3,5 X 16
	72	004214	P.CHATO 3,5 X 14 CAB. PHILLIPS REBAIXADA ZB	SCREW 3,5 X 14MM
	19	030945	PARAFUSO DE ACO P/ MINIFIX	MINIFIX DOWEL
	2	051980	P.CHATO 4,5 X 50 BC	FLAT HEAD SCREW 4,5 X 50MM
	37	075515	P.ESTRUTURAL 5 X 40 CAB. 13 ALLEN 3 C/PONTA ZB/BC	SCREW 5 X 40



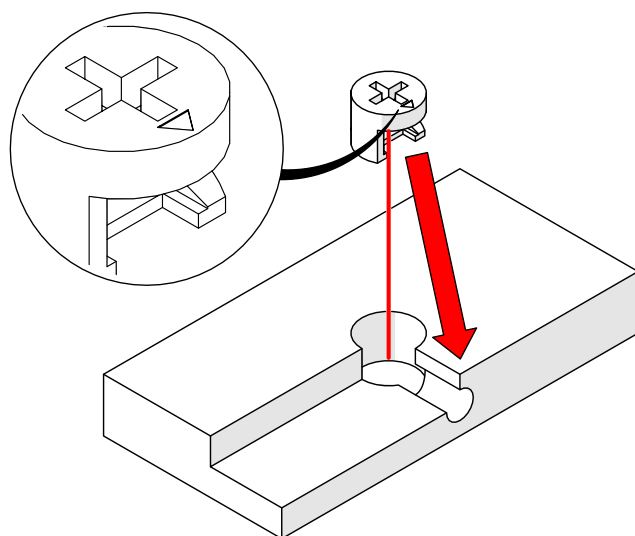
IDENTIFICATION OF ACCESSORIES

NOTE: Separating the accessories before starting assembly will make it easier. In case of doubt in the identification, place the accessory on the ruler.

	QTD.	CÓDIGO / CODE	DESCRIÇÃO (Internal production data)	DESCRIPTION
	1	000041	COLA BRANCA EM BISNAGA (10GR)	GLUE
	92	001802	CAVILHAS DE MADEIRA 6X30 PINUS	DOWEL 6X30MM
	5	001901	SAPATA DESLIZADORA PRETA 15 X 6	SHOE 15 X 6
	19	030950	TAMBOR P/ MINIFIX 15MM ZAMAQ	MINIFIX CAM 15MM
	2	032069	BUCHA PARA GESSO FLY 2	FIXING BUSHING FOR PLASTER
	2	055606	SUP. P/ FIXACAO DE PAREDE (EUA)	FIXATION SUPPORT
	1	055607	ABRACADEIRA NYLON 300 MM	NYLON CLAMP 300 MM
	2	PH	PERF. H26 710MM	PROFILE H 710MM
	1	058788	CHAVE ALLEN Z 3X40MM ZB/BC	ALLEN WRENCH
	6 (KIT)	CRTM350X35	CORREDICA TELESCOPICO LIGHT (H35) 350MM	SLIDING DRAWER SYSTEM
	12	19MM	TAPA FURO 19MM	SCREW CAP COVER 19MM

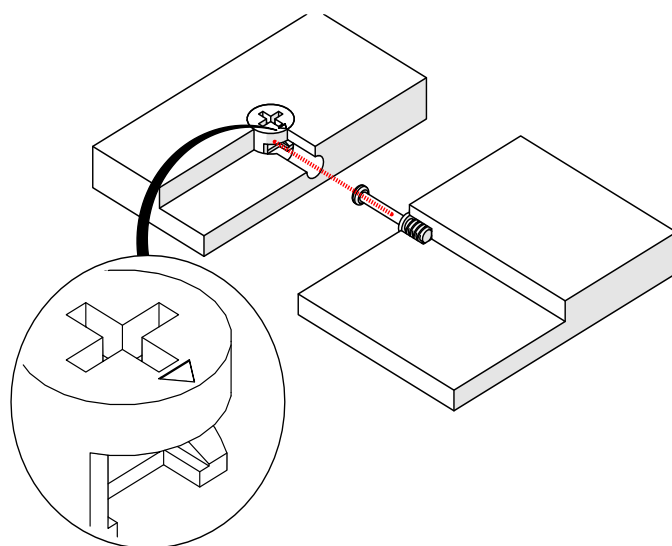
INSTALLING CAM

Identify arrow on head of cam. Arrow MUST point toward hole in edge of panel. Push cam all the way down into hole.



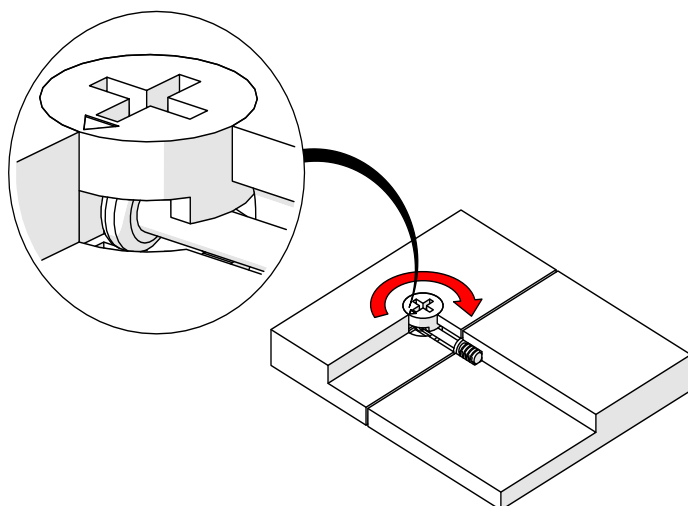
CAM AND DOWEL ALIGNMENT

Ensure the arrow on the cam points toward hole and insert cam dowel into hole. Make sure pieces join together.



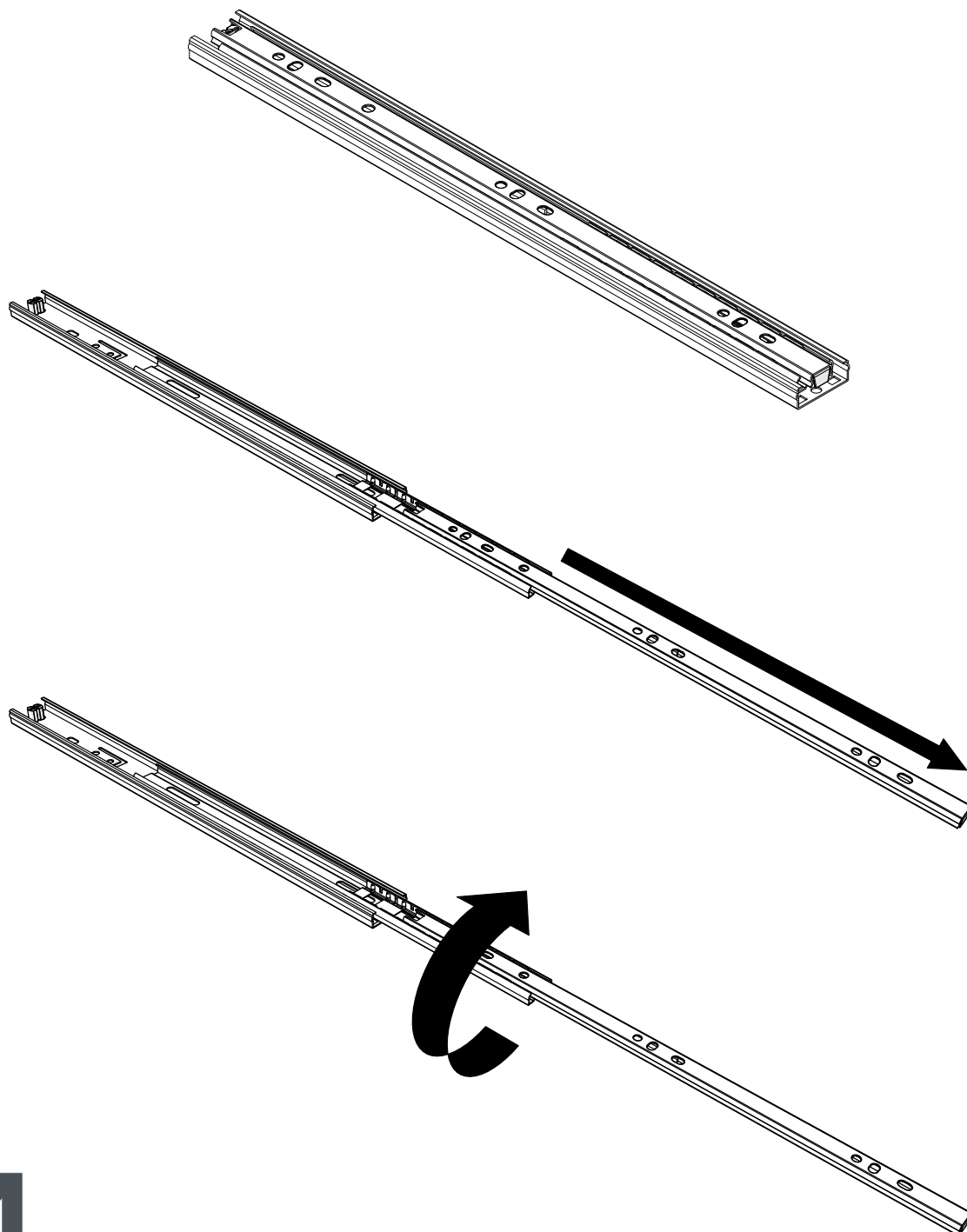
TIGHTENING CAM

Use screwdriver to turn cam. Turn cam (clockwise) until fully tightened. Slightly more than half a turn.



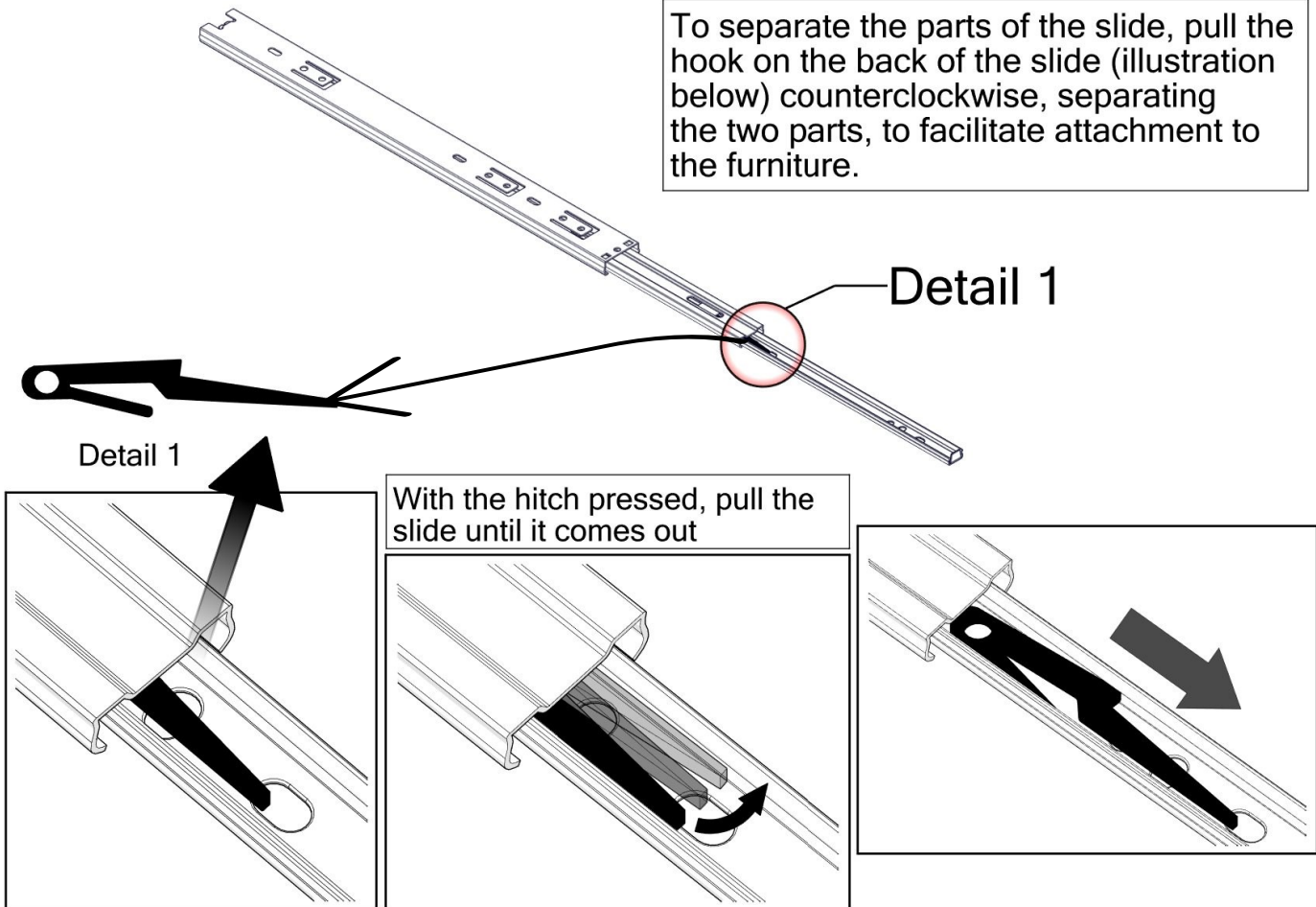
View upon unboxing the drawer glides

#1 NOTICE – Please view this video (VIA QR CODE) prior to installing the Telescopic rail, as this will allow you to be better informed on the process. Ensuring proper installation.

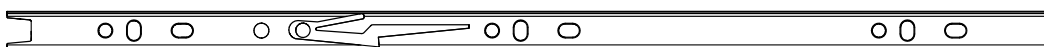


#2 NOTICE - Please note this process might leave a small amount of harmless oil on your fingers, please ensure you have a paper towel or rag to wipe off if needed to not damage clothes.

To separate the parts of the slide, pull the hook on the back of the slide (illustration below) counterclockwise, separating the two parts, to facilitate attachment to the furniture.



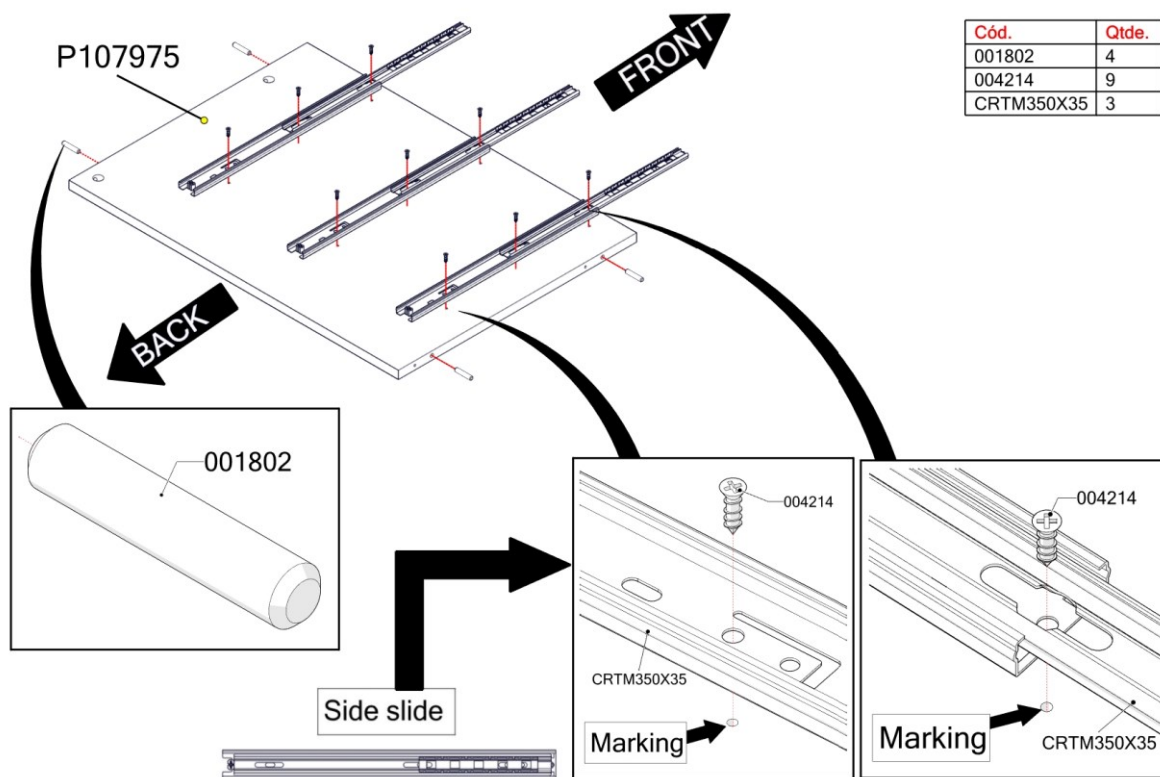
DRAWER SLIDE



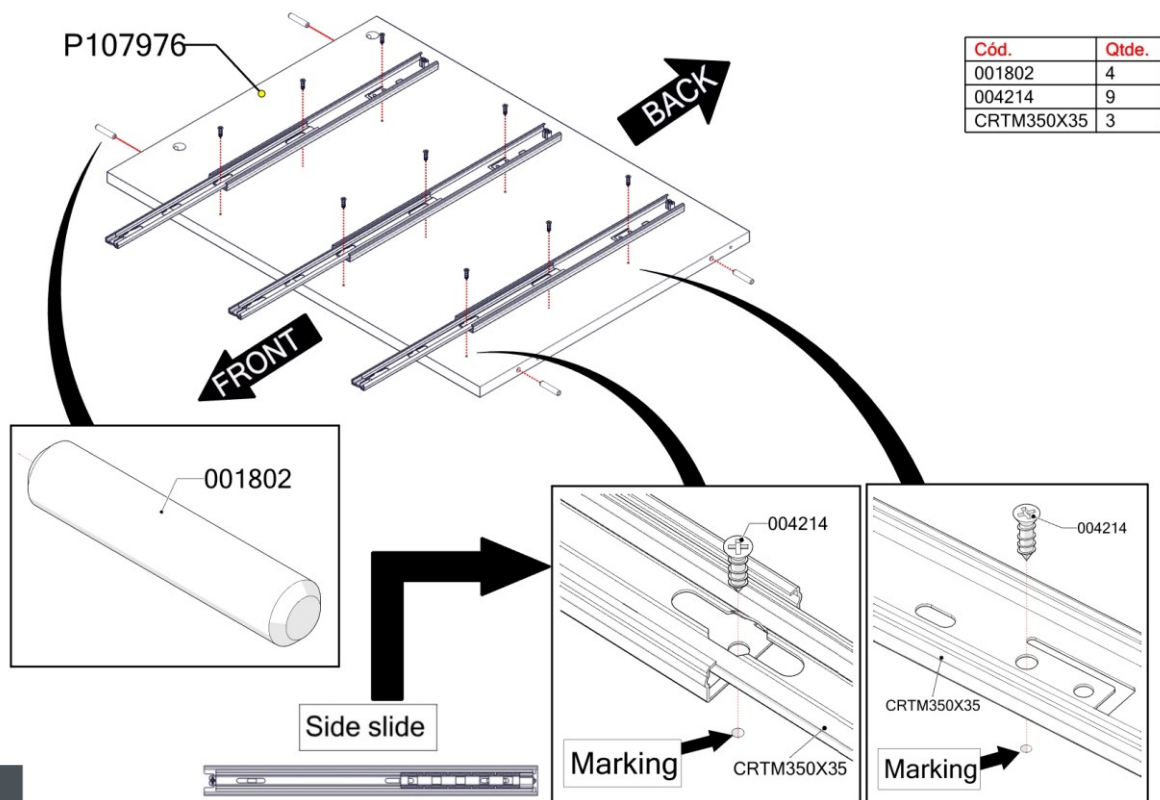
SIDE SLIDE



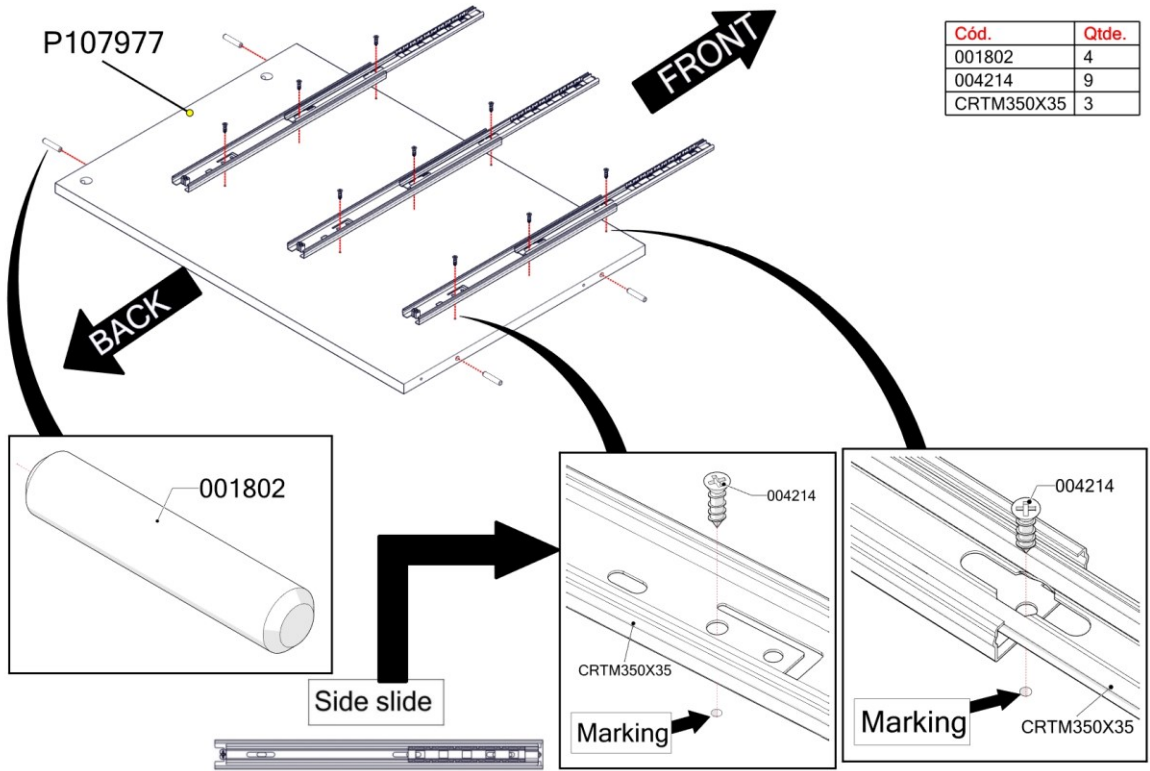
STEP 1



STEP 2



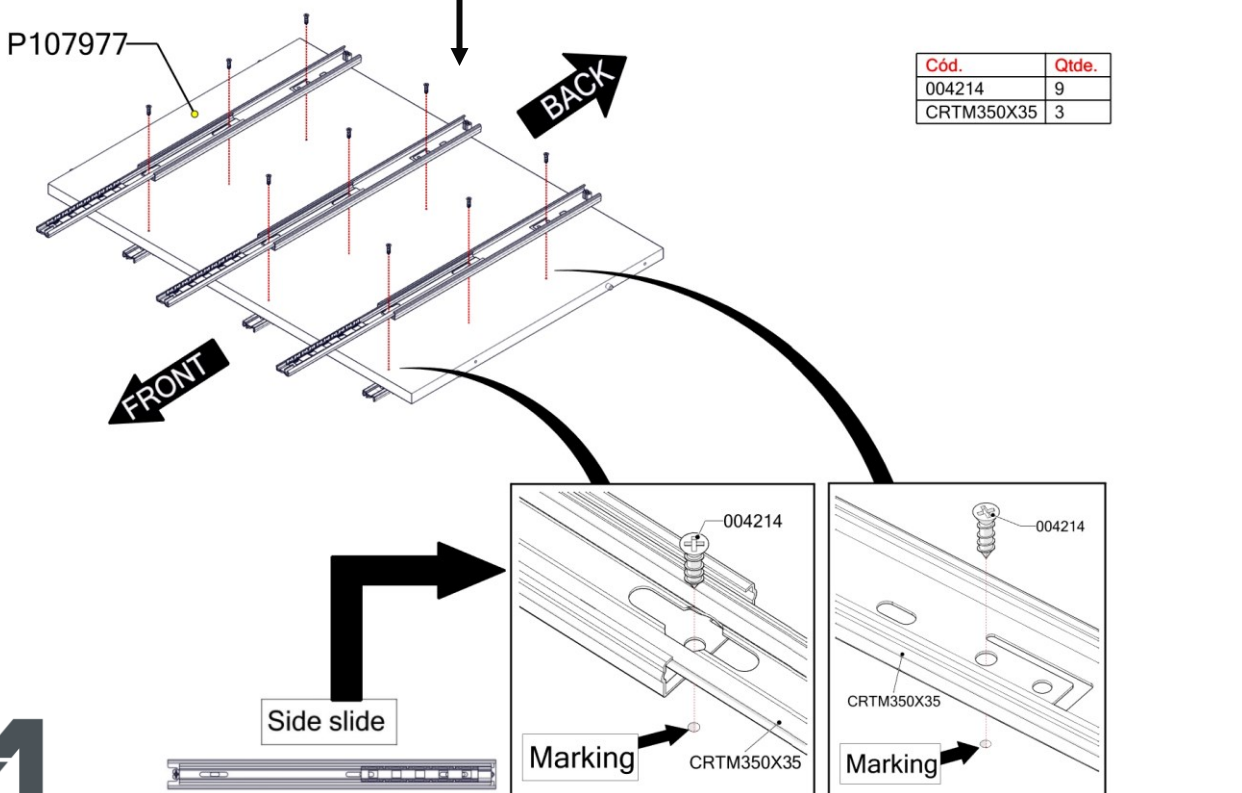
STEP 3A



Cód.	Qtde.
001802	4
004214	9
CRTM350X35	3

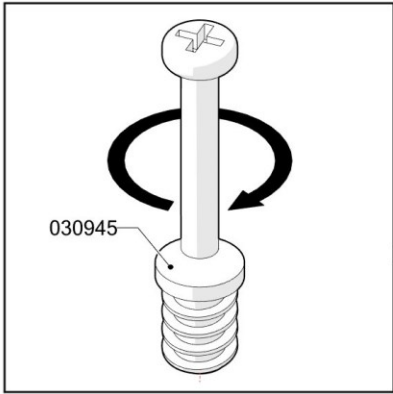
Rotate the piece 180°

STEP 3B

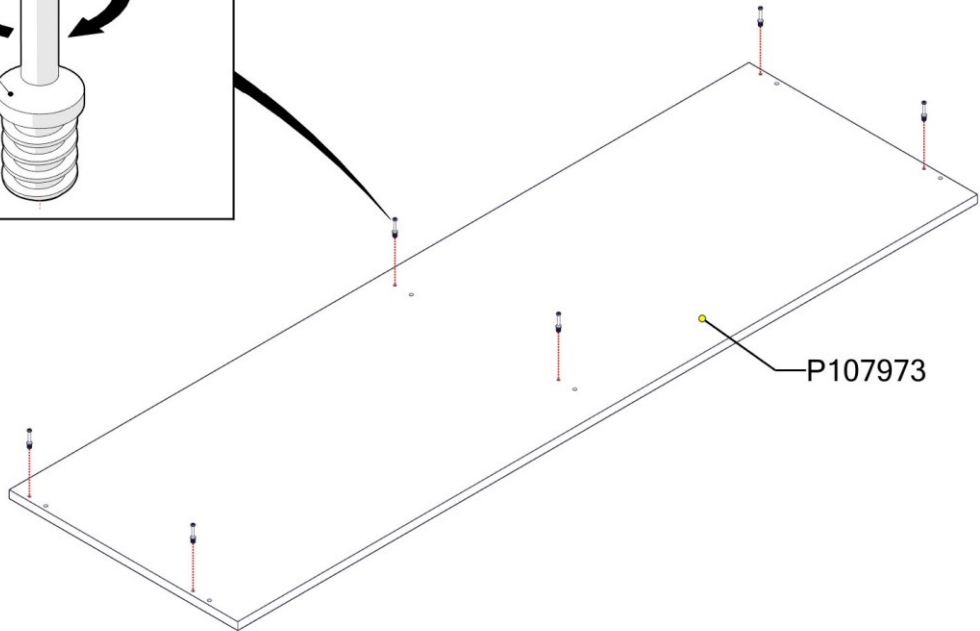


Cód.	Qtde.
004214	9
CRTM350X35	3

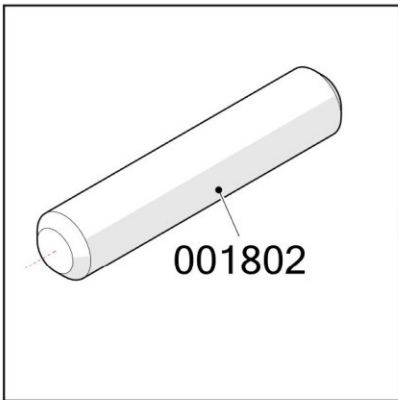
STEP 4



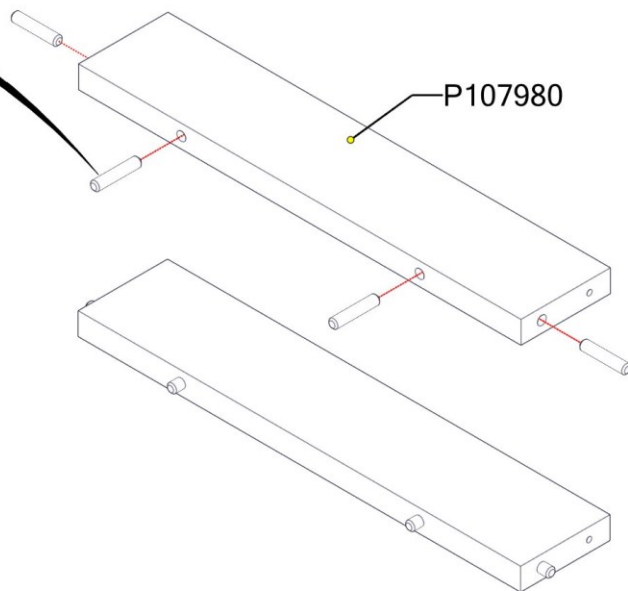
Cód.	Qtde.
030945	6



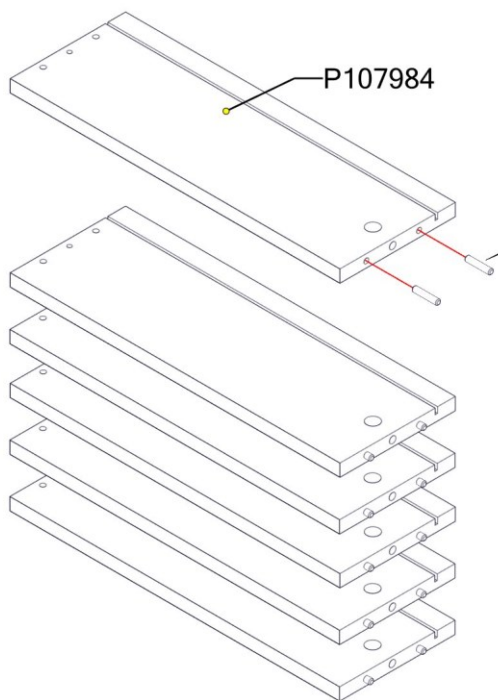
STEP 5



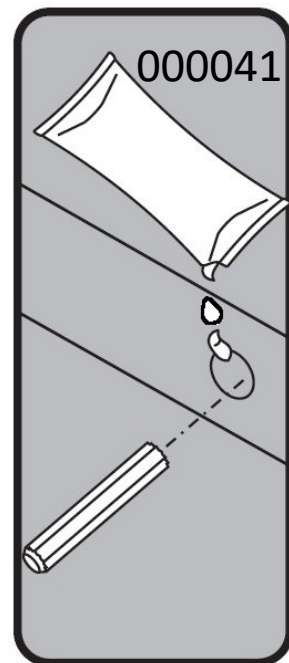
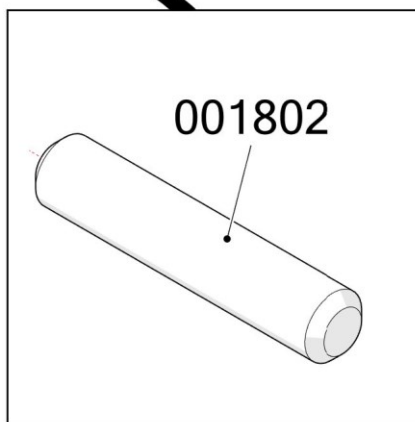
Cód.	Qtde.
001802	8



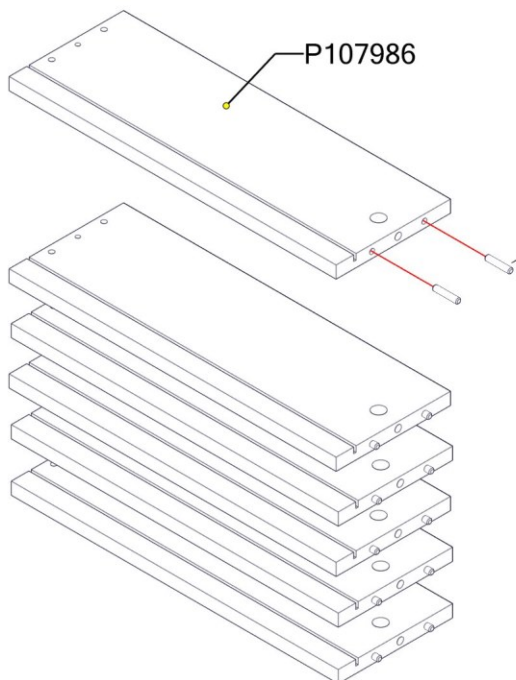
STEP 6



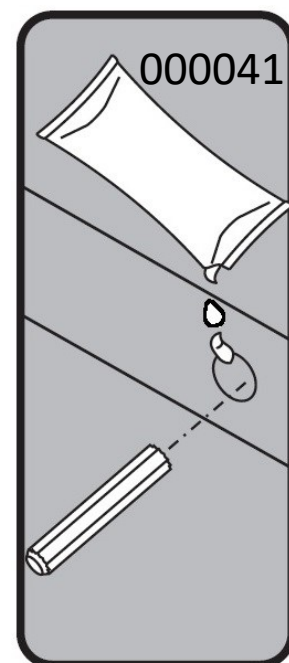
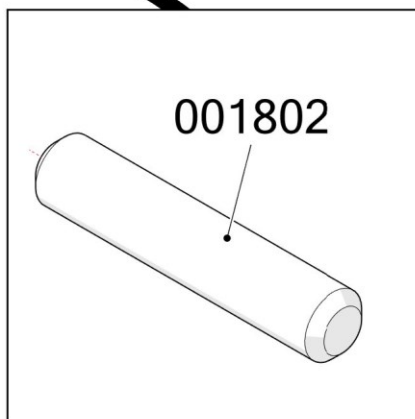
Cód.	Qtde.
000041	1
001802	12



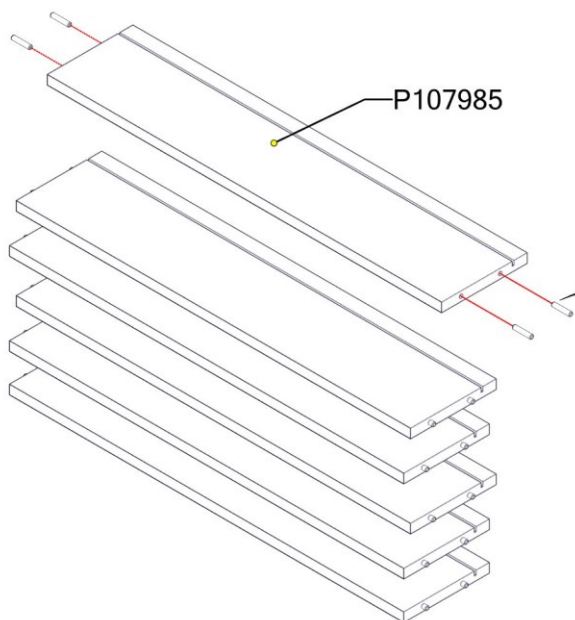
STEP 7



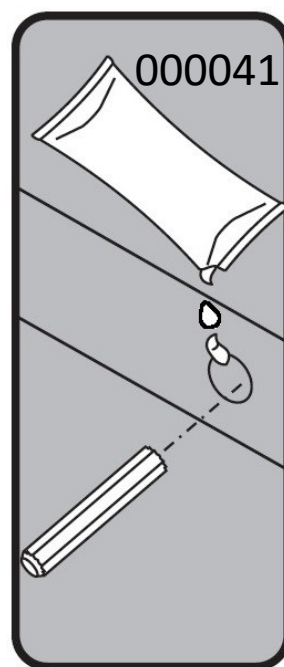
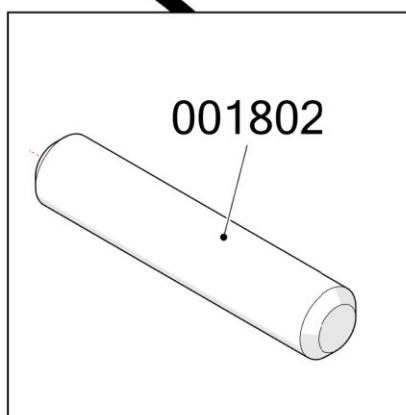
Cód.	Qtde.
000041	1
001802	12



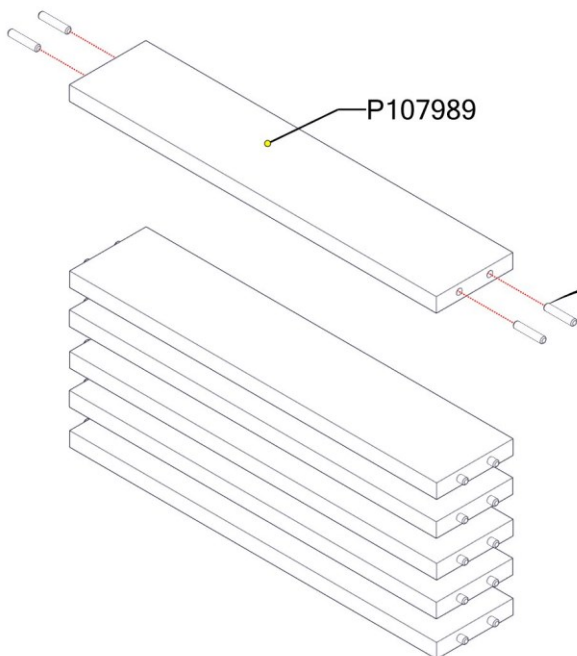
STEP 8



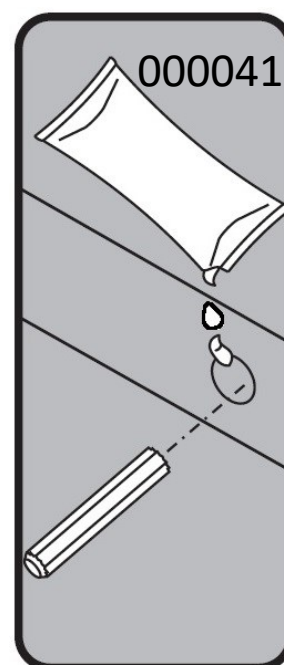
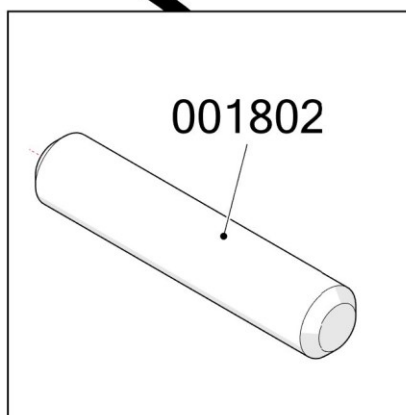
Cód.	Qtde.
000041	1
001802	24



STEP 9

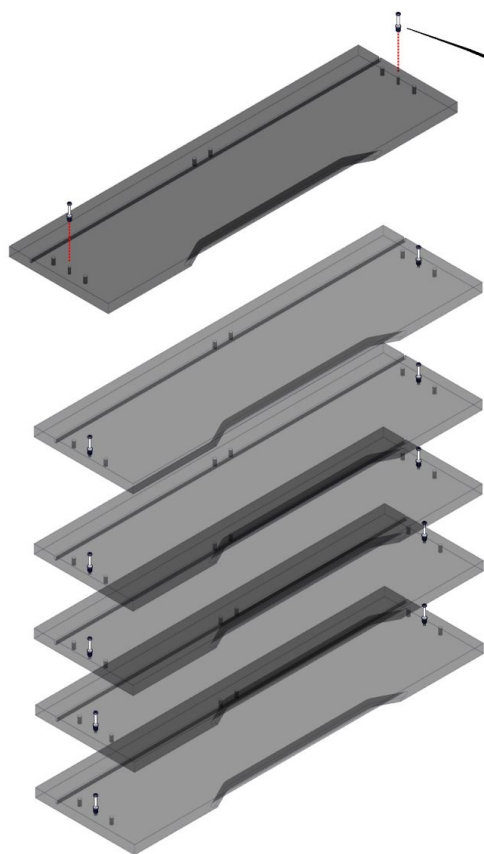


Cód.	Qtde.
000041	1
001802	24

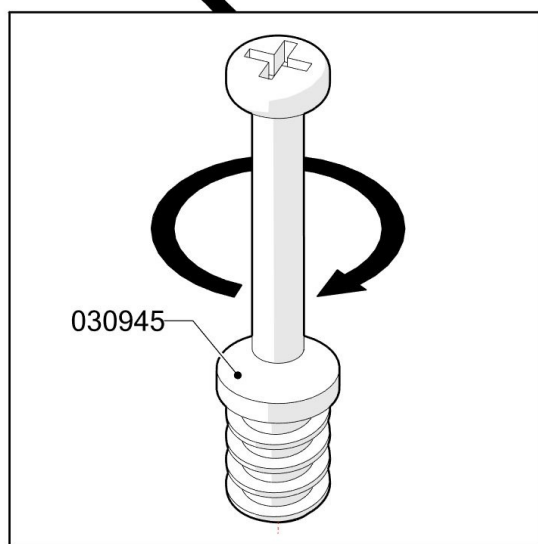


STEP 10

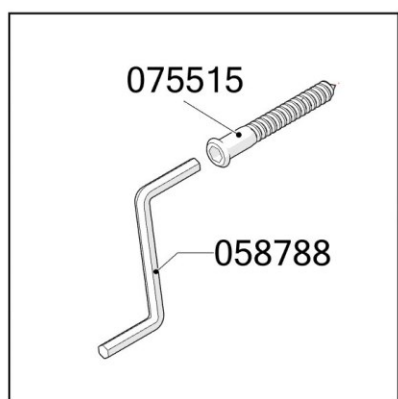
The drawer fronts are found in a separate box



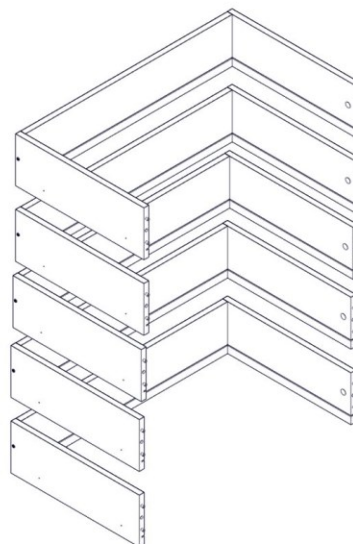
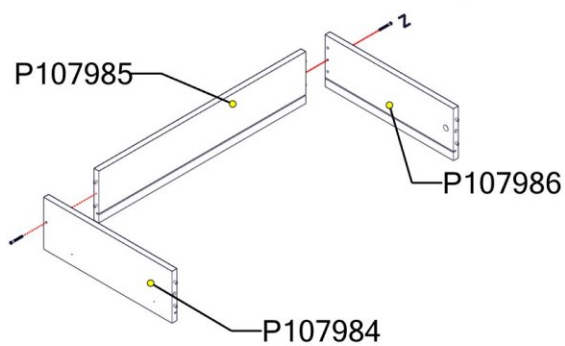
Cód.	Qtde.
030945	12



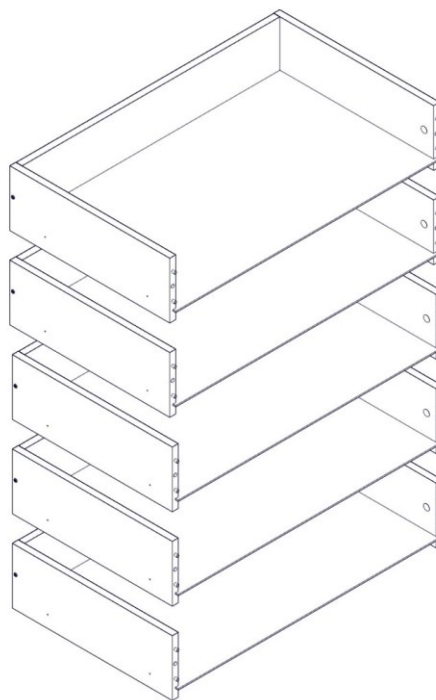
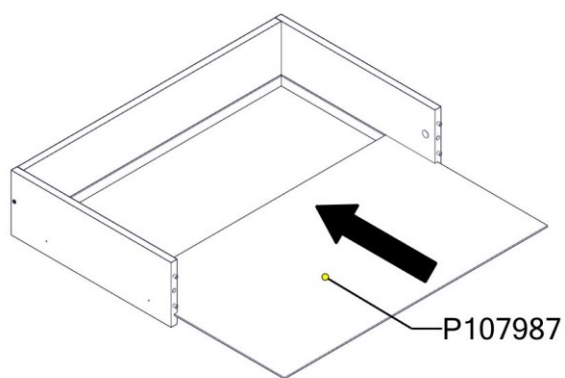
STEP 11



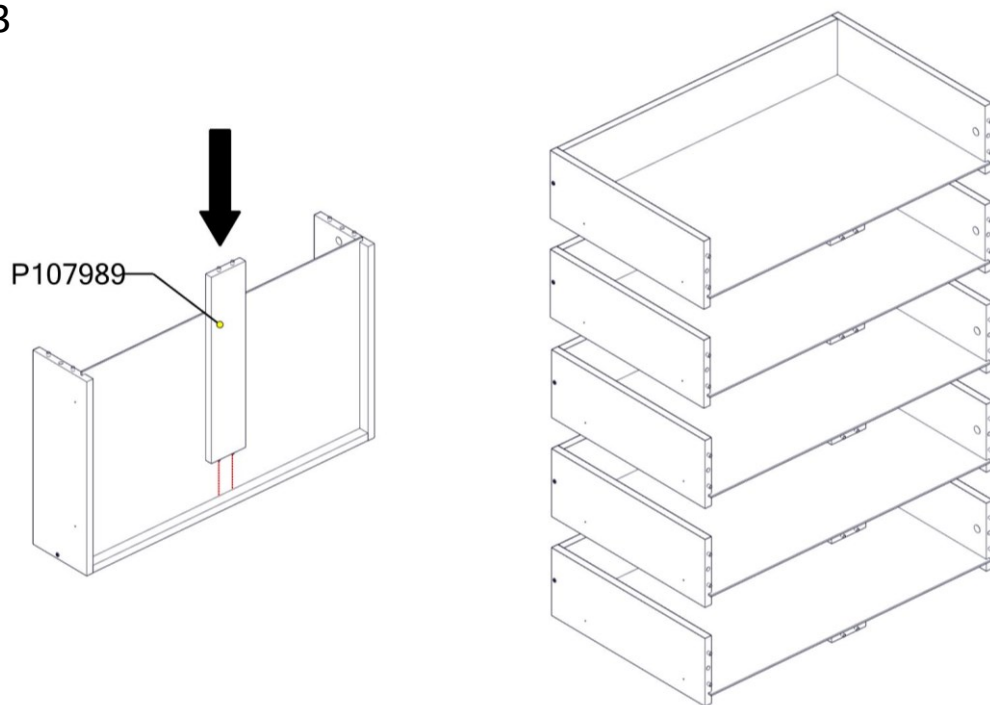
Cód.	Qtde.
058788	1
075515	12



STEP 12

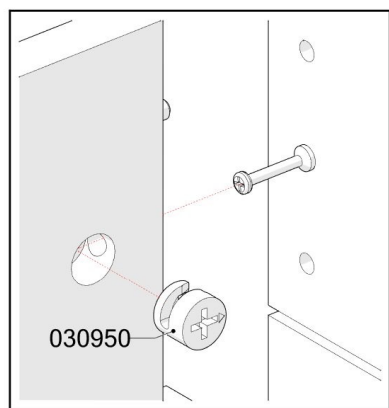


STEP 13

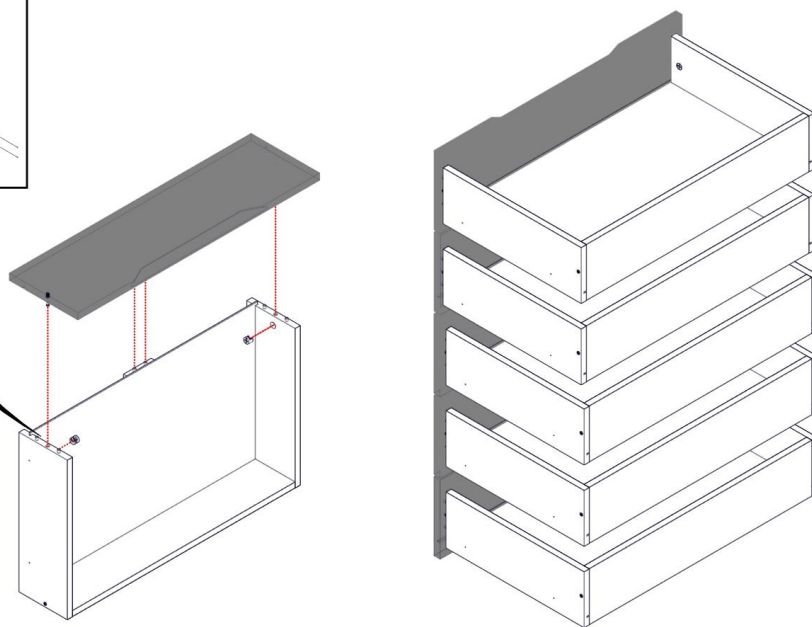


STEP 14

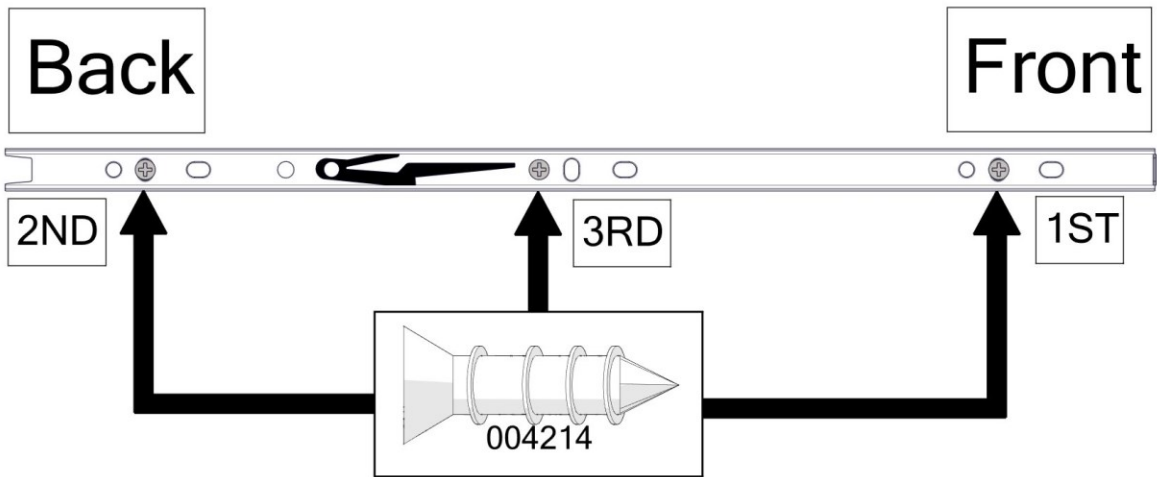
The drawer fronts are found in a separate box



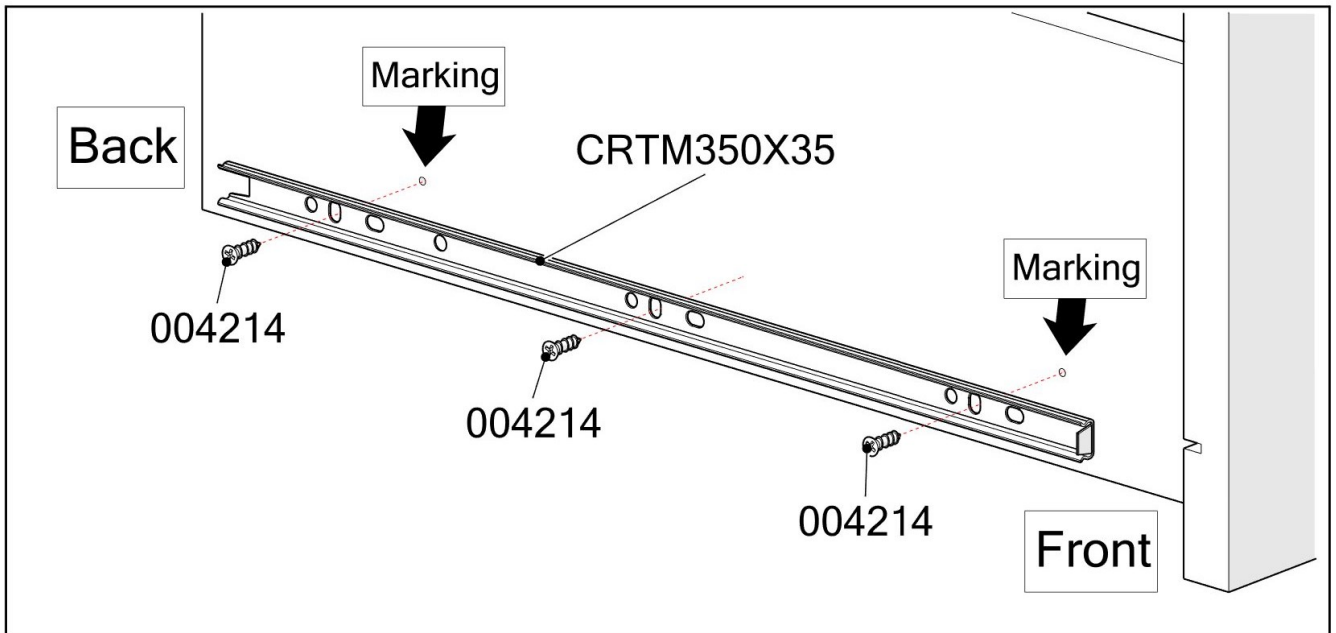
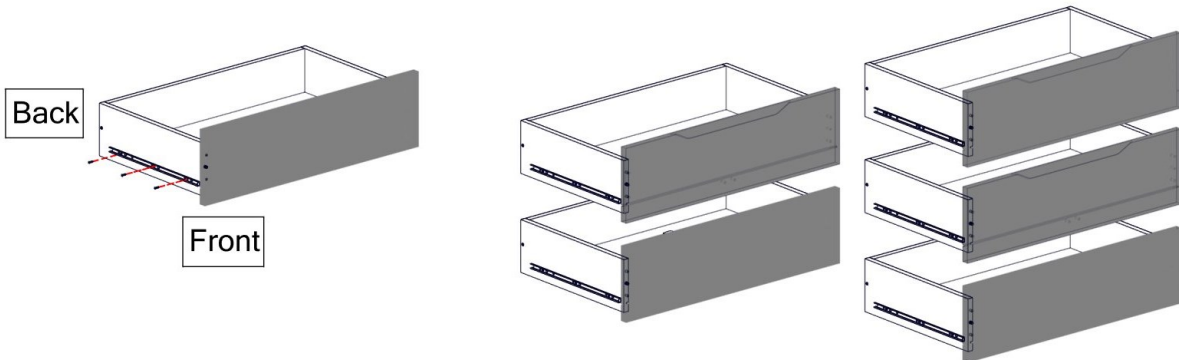
Cód.	Qtde.
030950	12



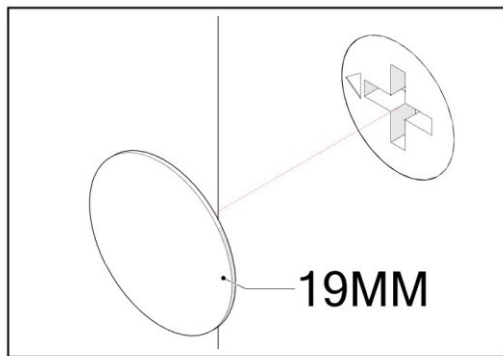
Drawer slide



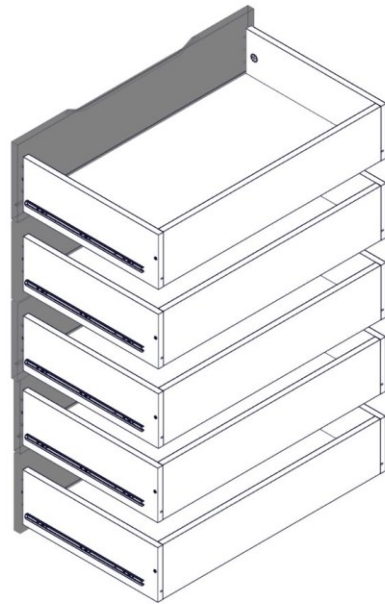
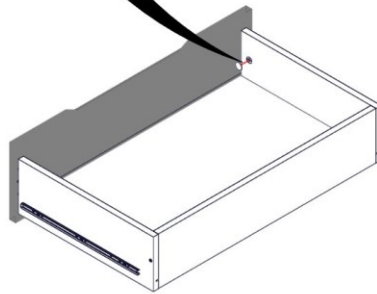
Cód.	Qtde.
004214	36
CRTM350X35	12



STEP 16

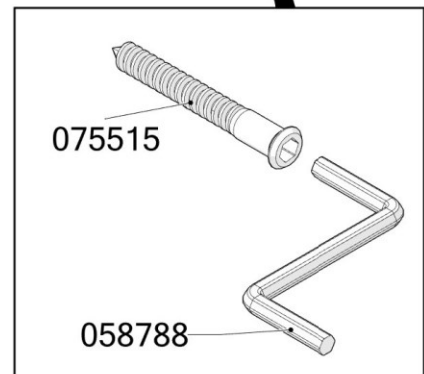
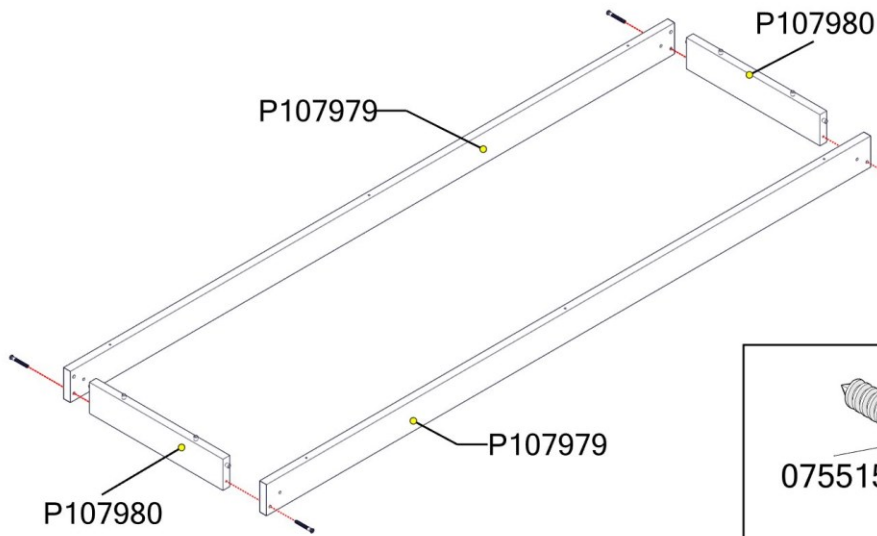


Cód.	Qtde.
19MM	12

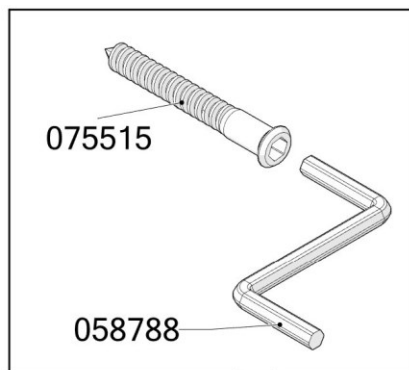


STEP 17

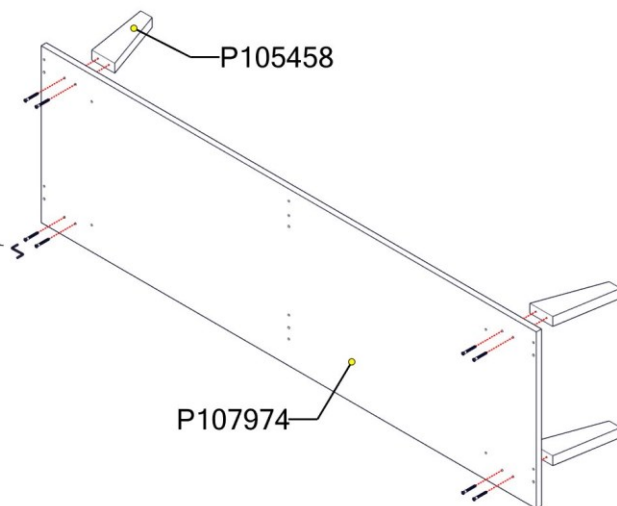
Cód.	Qtde.
058788	1
075515	4



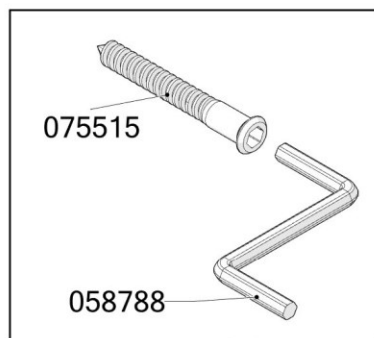
STEP 18



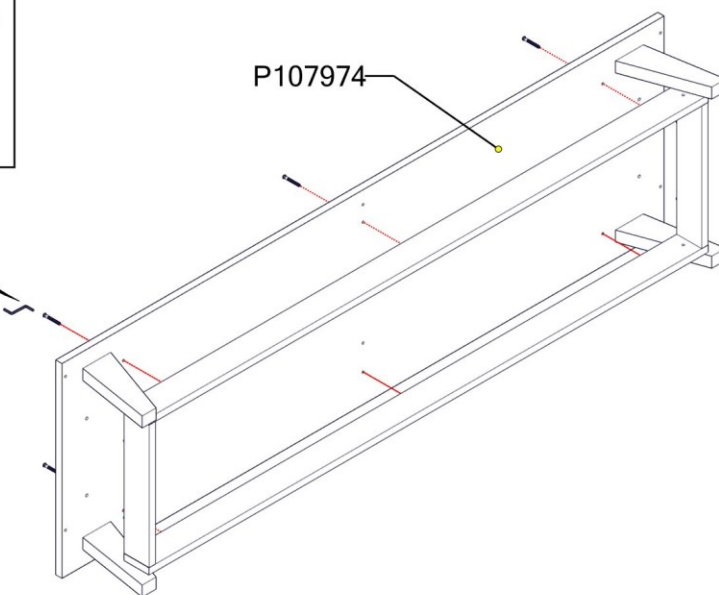
Cód.	Qtde.
058788	1
075515	8



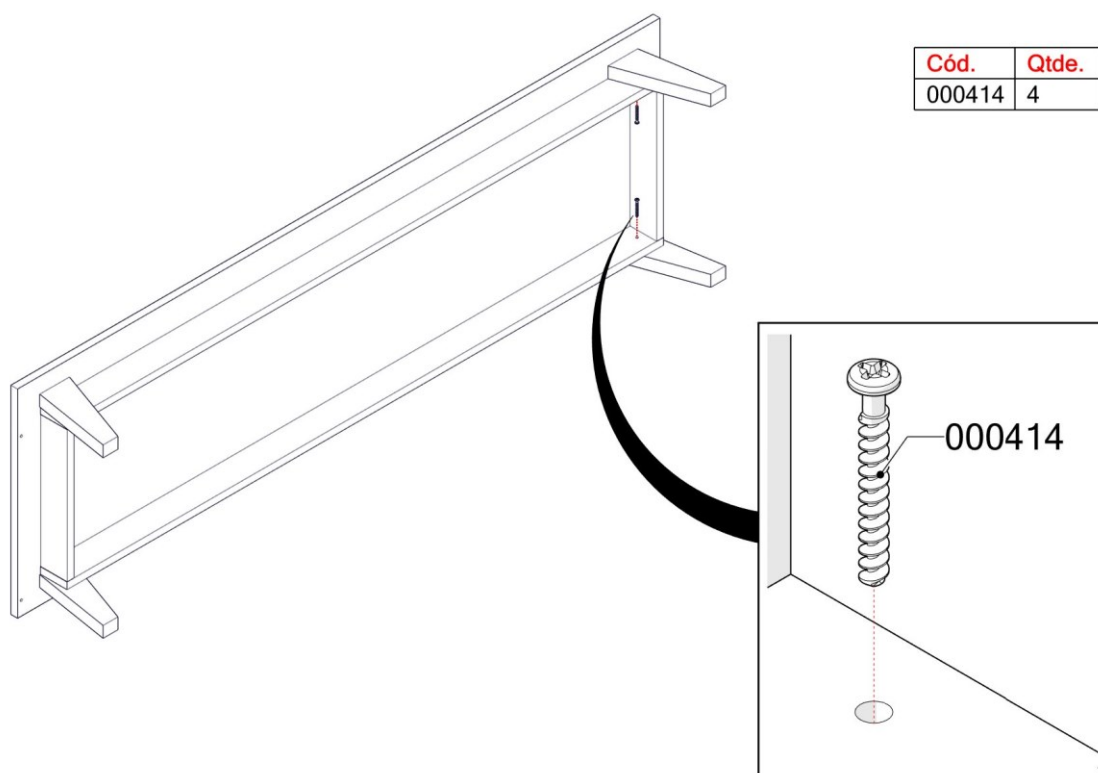
STEP 19



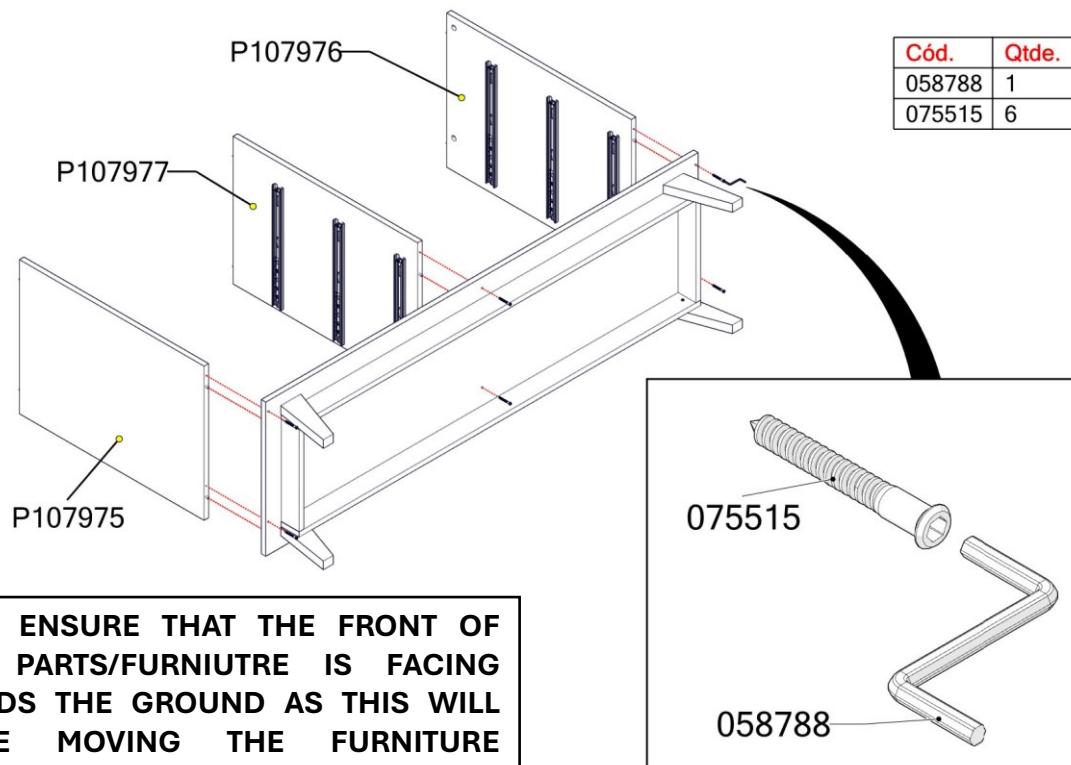
Cód.	Qtde.
058788	1
075515	6



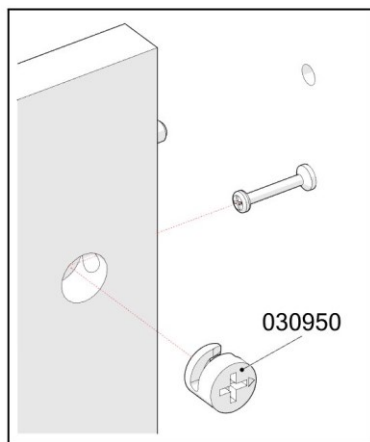
STEP 20



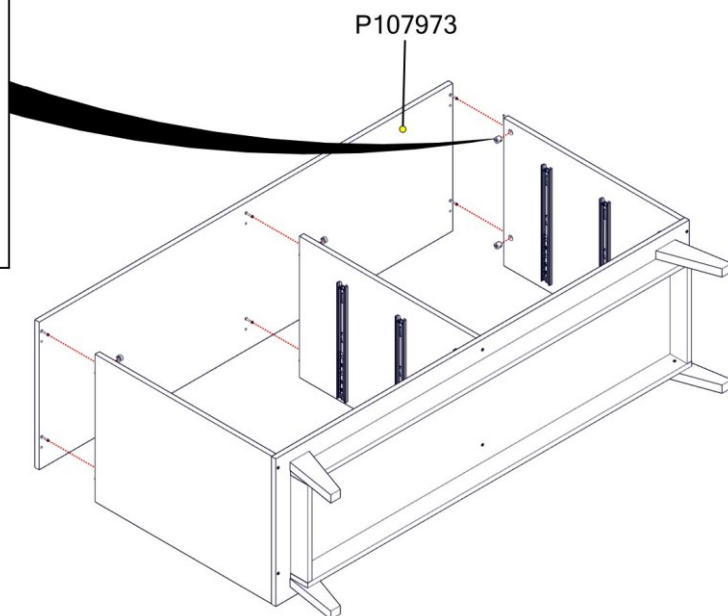
STEP 21



STEP 22

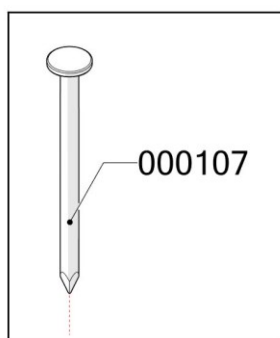


Cód.	Qtde.
030950	6

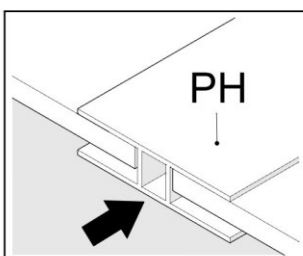


STEP 23

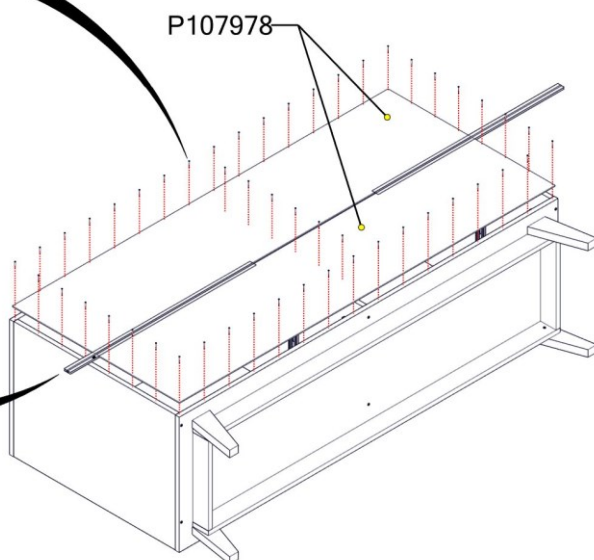
Note: It is essential to place the furniture backing straight/ squared to avoid problems with the functioning and alignment of the doors.



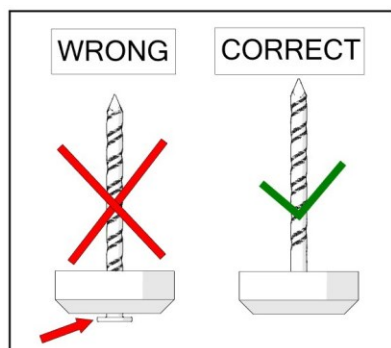
Cód.	Qtde.
000107	50
PH	2



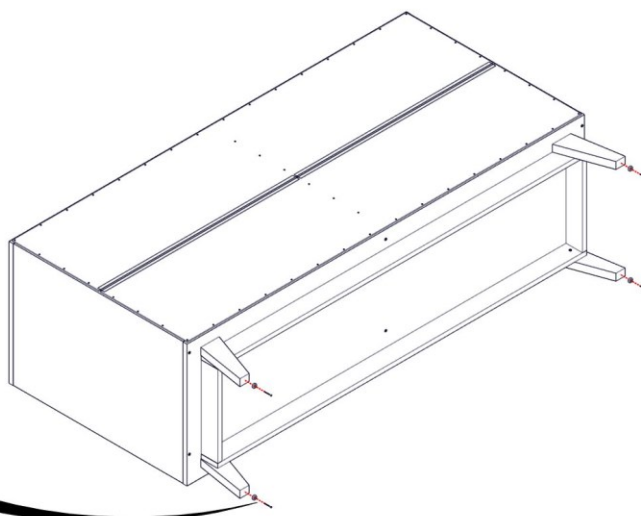
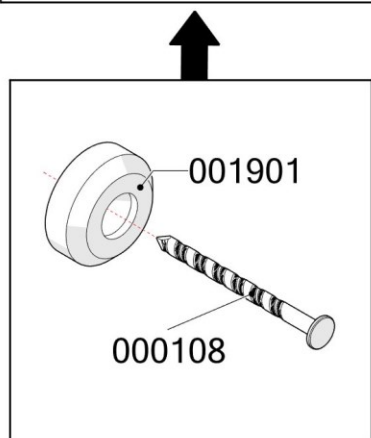
After checking that the back panel is squared to the side and top, nail the back panel in place.



STEP 24



Cód.	Qtde.
000108	4
001901	4



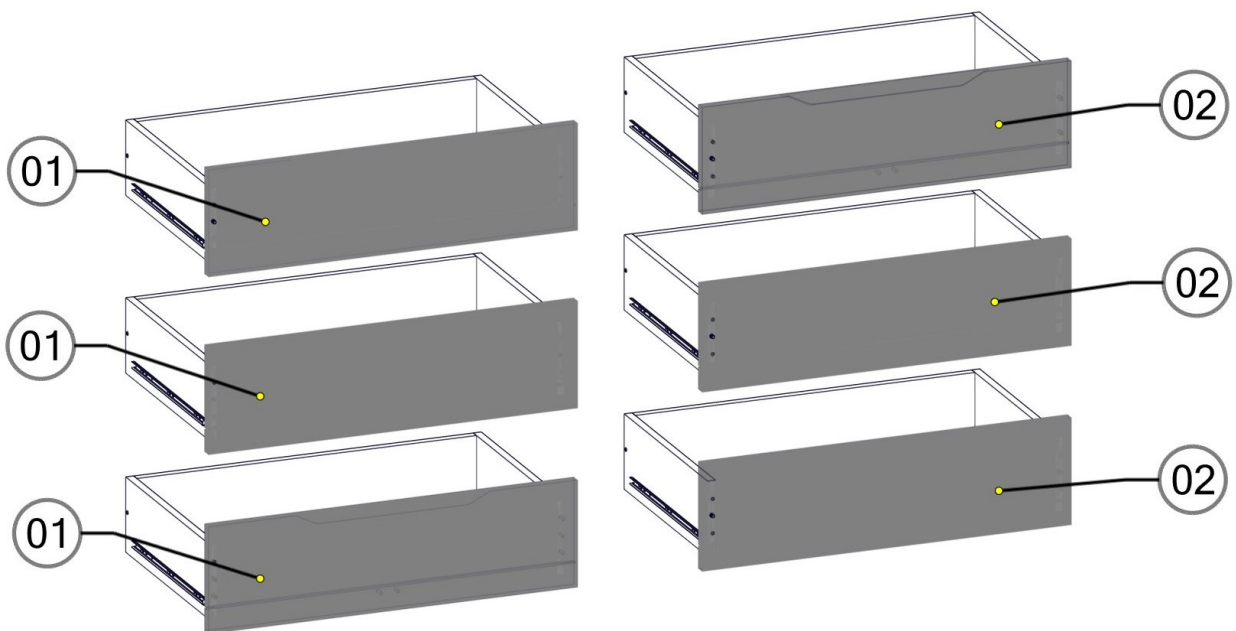
! CRITICAL !

THE DRAWERS ARE REQUIRED TO BE INSTALLED ON THE CORRECT SIDE OF THE DRESSER.

FAILURE TO DO SO WILL NOT ALLOW THE DRAWERS TO FUNCTION PROPERLY.

EACH SET OF DRAWERS 01 & 02 ARE SPECIFIC TO EACH SIDE.

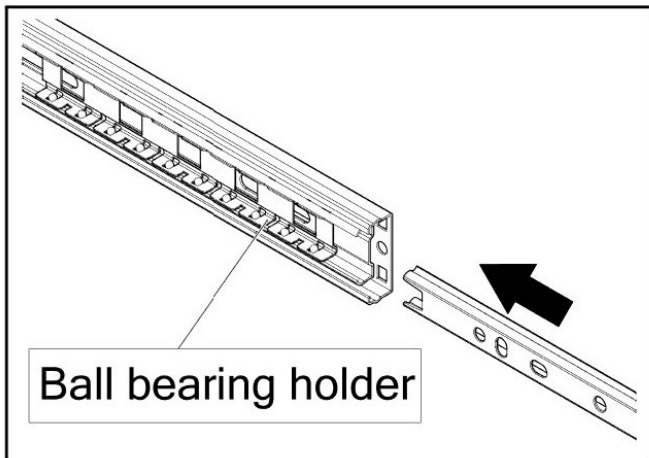
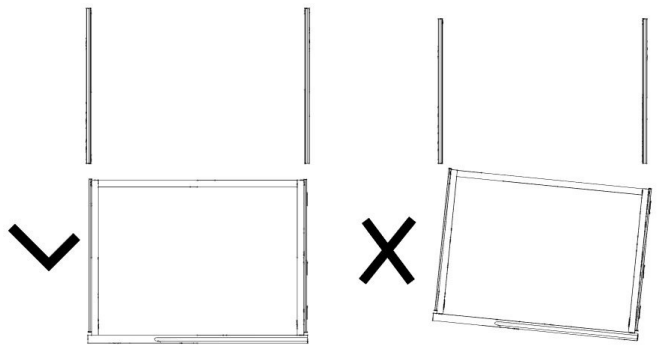
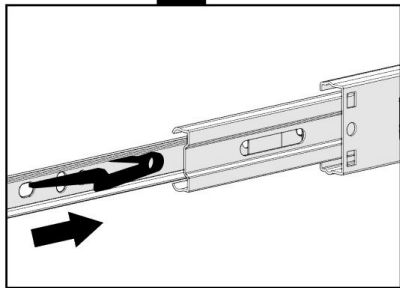
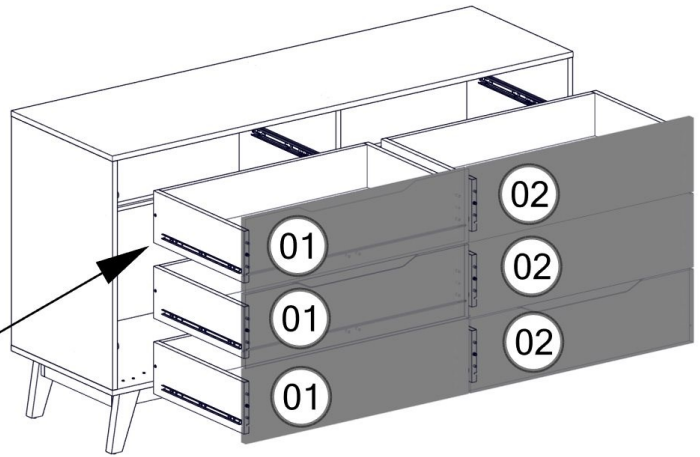
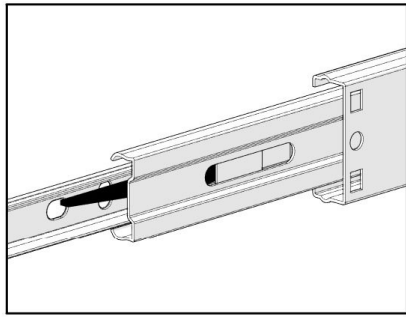
DRAWERS # 01 - ONLY FIT ON THE LEFT SIDE.
DRAWERS # 02 - ONLY FIT ON THE RIGHT SIDE.



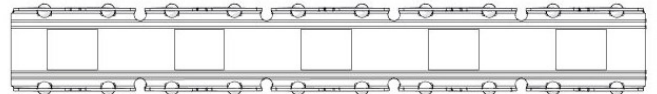
Please view this video (VIA QR CODE) prior to installing the Telescopic rail, as this will allow you to be better informed on the process. Ensuring proper installation.



STEP 25

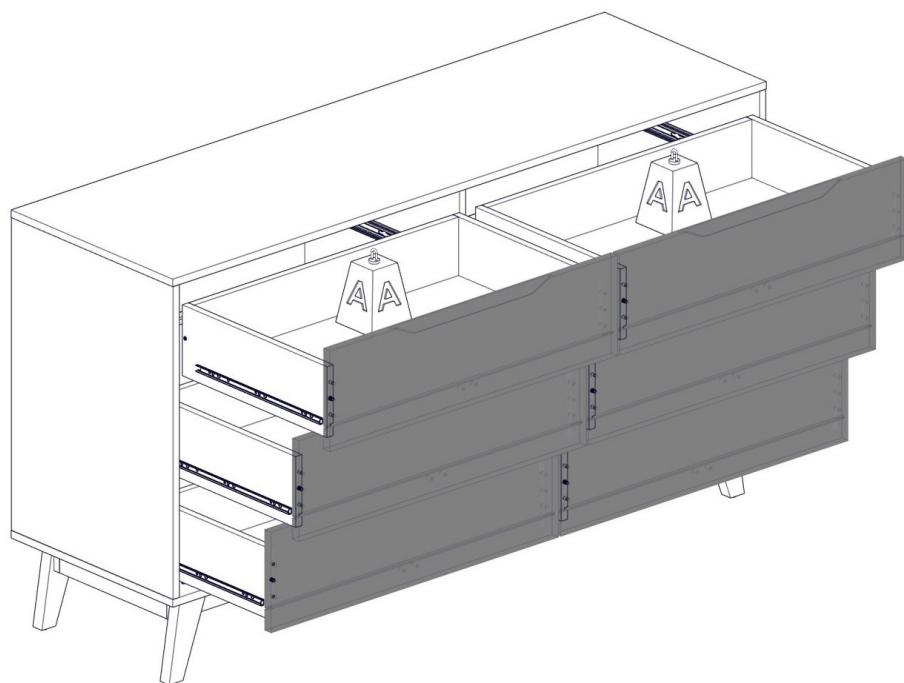


Piece illustration



For the telescopic slide to work properly, is the extremely important that the ball bearing holder is pulled forward in the section it is found. This way the drawer will properly slide into place.

STEP 26



Weight supported

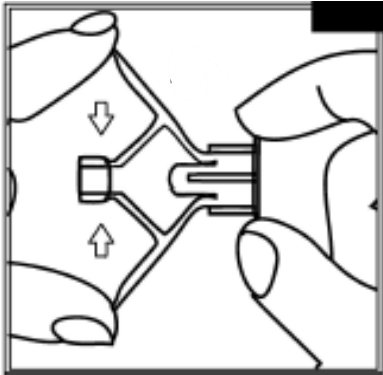
Maximum load weight illustrated in the drawing distributed from uniform way.

	KG	LB
A	6	13,23

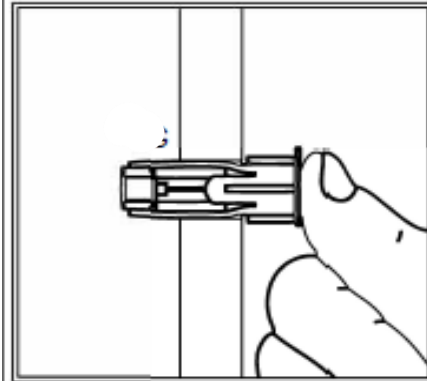
STEP 27

NOTE: Do not turn the DRYWALL ANCHOR into a 10 fasten the SAFETY ANTI-TIPPING

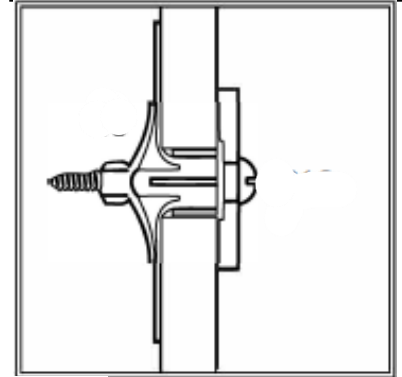
Compress the wings of anchor before inserting.



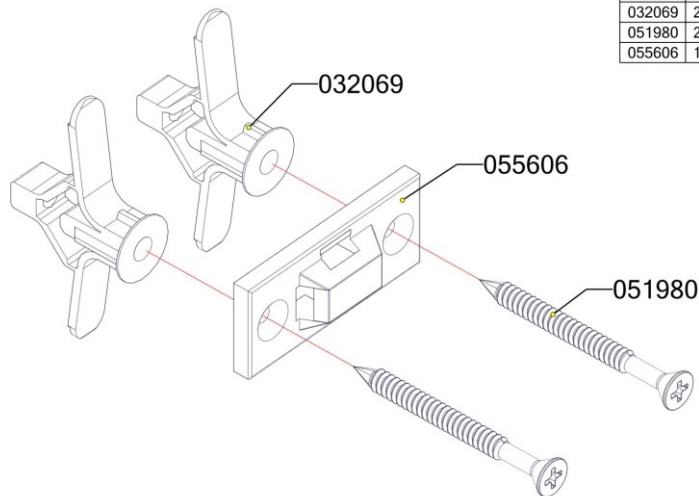
Insert the chuck into the hole of the base material.



Position the object over the bushing and secure it with a screw.



Cód.	Qtde.
032069	2
051980	2
055606	1



Important

The minimum length of the screw must be the bushing length + object thickness that will be fixed.

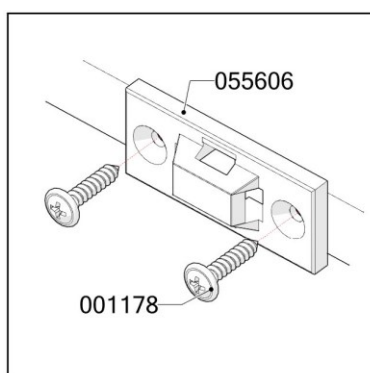
To guarantee the wing expansion function of the bushing, after the screw head is at the object to be fixed, one must continue to rotate the screw until maximum torque is reached.

Pierce the base material a 0.39 in. drill.



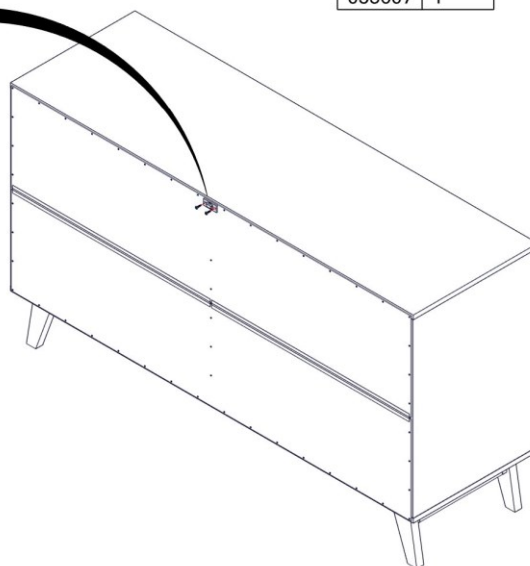
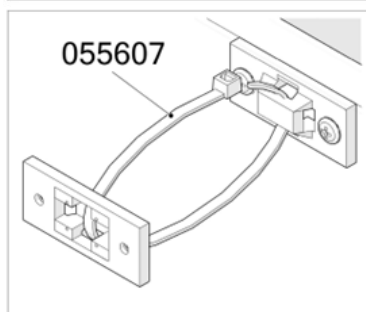
STEP 28

1ST



Cód.	Qtde.
001178	2
055606	1
055607	1

2ND



A WARNING – Anti-Tip Advisory

Potential of serious fatal crushing injuries may occur from furniture tip-over. To help prevent tip-over:

ALWAYS INSTALL the tip-over restrain that came with your furniture. This tip-over restrains only reduces but does NOT completely eliminate the risk of tip-over

- ALWAYS Place the heaviest items in the lowest/bottom drawer.
- NEVER place heavy objects on top of this product.
- NEVER allow children to scale/climb/hang on the drawers, doors, or shelves.
- NEVER open more than one drawer at a time.

B ADVERTENCIA - Aviso antivuelco

Pueden producirse lesiones graves por aplastamiento mortales debido al vuelco de los muebles. Para ayudar a prevenir vuelcos:

- SIEMPRE INSTALE el sistema de retención que viene con sus muebles. Este sistema antivuelco solo reduce pero NO elimina por completo el riesgo de vuelco.
- SIEMPRE coloque los artículos más pesados en el cajón más bajo /inferior.
- NUNCA coloque objetos pesados encima de este producto.
- NUNCA permita que los niños escalen, trepen o se cuelguen de los cajones, puertas o estantes.
- NUNCA abra más de un cajón a la vez