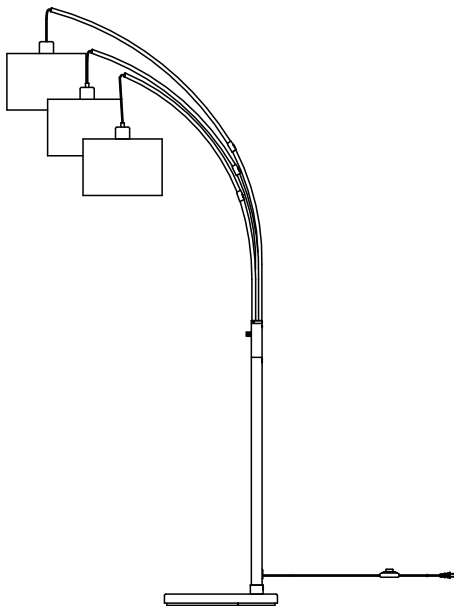


edishinē

# Floor Lamp

[Instruction Manual]



Please pay attention to the warning signs  
Read the instructions with caution before operating  
and keep it properly


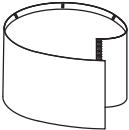


## CAUTION

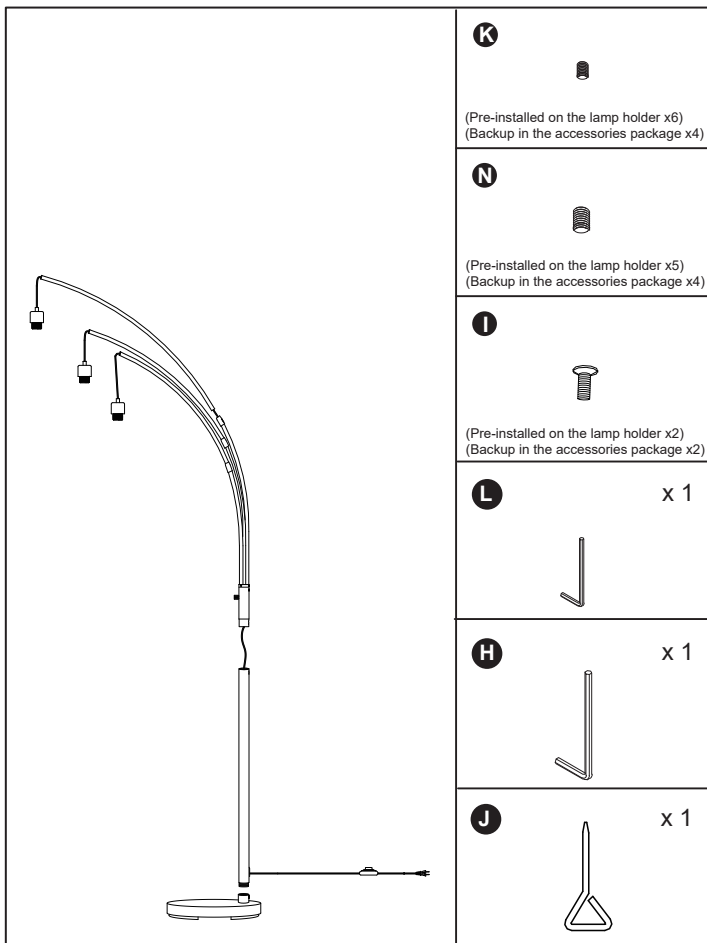
1. Before assembly, place all parts on a clean flat surface and check each part for defects that may occur during shipping.
2. Inspect wire insulation for any cuts, abrasions or exposed copper that may have resulted from shipping. If there are any defects in the wire, **DO NOT** continue assembling. Please send an email to our Customer Service immediately.
3. Consult a qualified electrician if you have any electrical questions.
4. Never drape clothes over the lamp.
5. To reduce the possibility of tipping over, we recommend placing the lamp behind furniture and keep children and pets away.
6. To prevent children from suffocating and choking, keep them away from packing materials.
7. Please keep this manual and hand it over when you transfer the product.

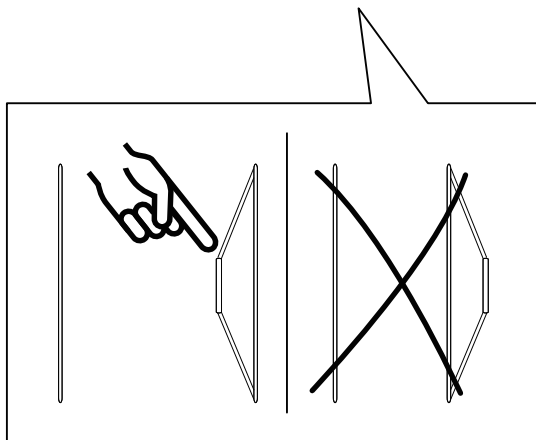
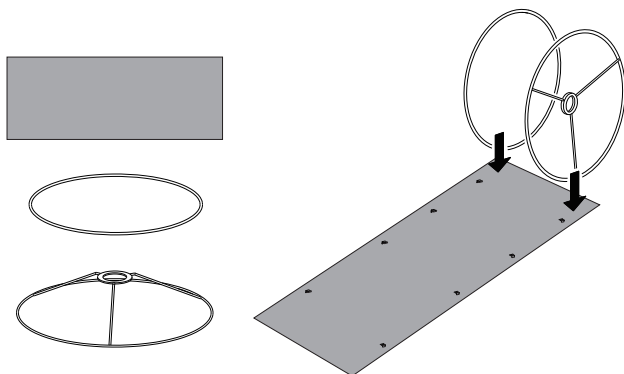
## IMPORTANT SAFETY INSTRUCTIONS

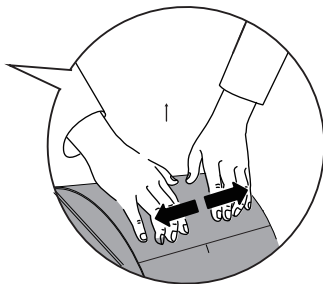
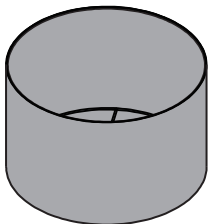
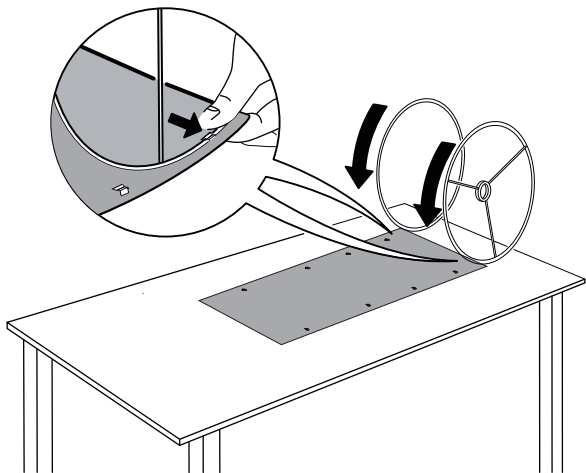
This portable lamp has a polarized plug (one blade is wider than the other) as a safety feature to reduce the risk of electric shock. This plug will fit in a polarized outlet only one way. If the plug does not fit fully in the outlet, reverse the plug. If it still does not fit, contact a qualified electrician. Never use with an extension cord unless the plug can be fully inserted. Do not alter the plug.

### Packing List:

<b>F</b> x 4 (1 backup) 	<b>E1</b> x 3 
<b>E2</b> x 3 	<b>E3</b> x 3 

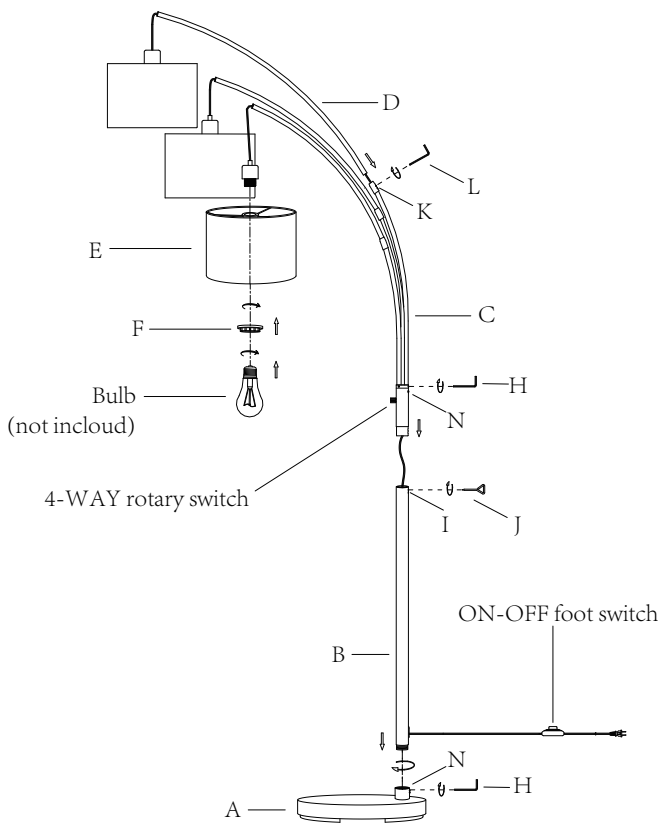






## ASSEMBLY INSTRUCTIONS

Before assembly, check the packing listing to make sure all parts are present;



1. Place the product flat on the ground.
2. Assembling E1, E2, and E3 into the Shade-E.
3. Insert the Tube-D into the Tube-C, adjust to the appropriate angle, and secure the Tube-D by tightening the Screw-K with the Wrench-L.
4. Insert the Tube-C into the Tube-B, then secure the Tube-C by tightening the Screw-I with the Wrench-J, and gently pull out any excess wire from the base of the Tube-B.
5. Insert the Tube-B onto the Base-A by rotating it, adjust to the appropriate angle, and secure the Tube-B by tightening the Screw-N with the Wrench-H.
6. Attach the 3 Shades-E to the Socket by screwing on the Socket Ring-F.
7. Install the bulb (not included) by screwing it into the Socket.

**Note:**

Adjust the direction of the three Tube-Cs as needed, then secure Tube-C by tightening Screw-N with Wrench-H.

**Note:**

Screws M/N are pre-installed in the screw holes, locked with hex spanner during assembly; if the lamp head is in the improper direction after screwing the light pole to the end at Screw N, please unscrew and reverse 180 degrees, and find the right direction then fix with screw N.

**Specifications:**

- Input Voltage: 120VAC 60Hz
- Max. Load Power: Incandescent Bulb 60W or LED Bulb 12W
- Socket Type: Standard Medium E26

**One Year Limited Warranty**

Supported by our professional R&D team and QC team, we provide One Year Warranty for materials and workmanship from the purchase date. Please note that the warranty does not cover damage caused by personal misuse or improper installation.

Please attach your Order ID and Name so that our dedicated customer service team can help you better.