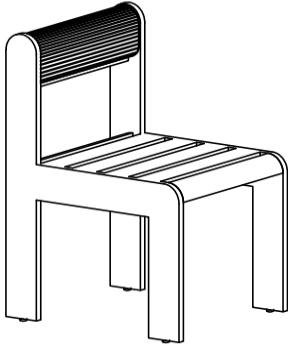


**ITEM NAME / NOM D'ITEM: ISLAND DINING CHAIR**

**PARTS LIST / LISTE DES PIÈCES**

(1)



×1

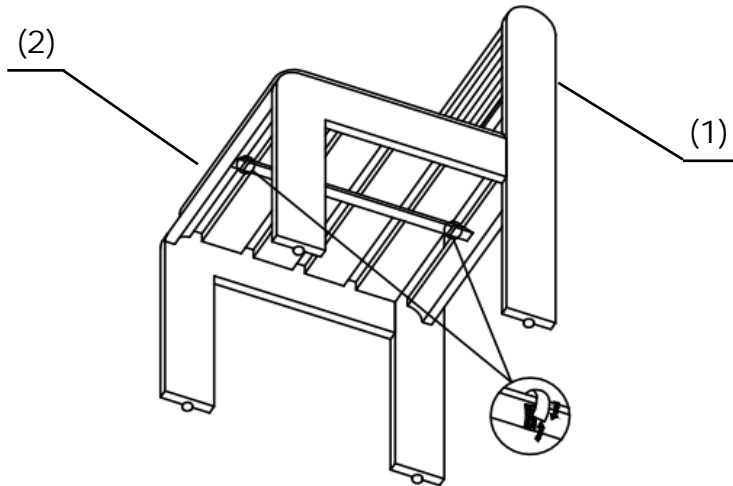
(2)



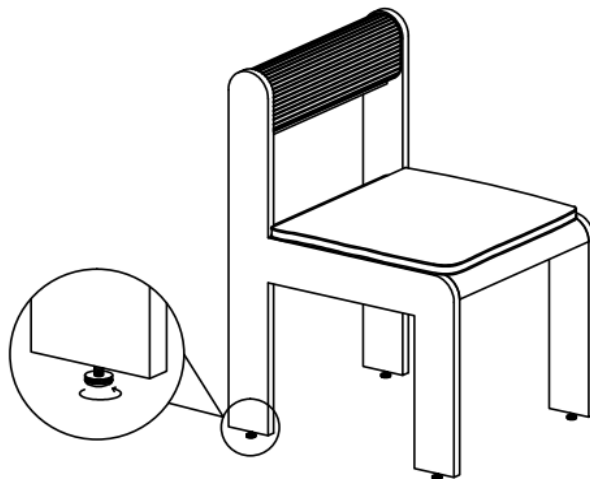
×1

**ASSEMBLY INSTRUCTIONS / INSTRUCTIONS D'ASSEMBLAGE**

I



II



Please use the attached adjustable footglides to level the chair on uneven surface.