



C-2320

CERAMIC FINISHES:



White .01

TRIM FINISHES:



Polished
Chrome
.500



Polished
Nickel
.502



Satin
Nickel
.503



Satin
Brass
.514



White
Enamel
.01



Matte
Black
.05

PRODUCT FEATURES

- One-piece elongated vitreous china toilet
- EPA WaterSense certified 1.28gpf high-efficiency flush
- 12" rough-in
- ADA-compliant 16-1/2" bowl rim (chair-height)
- Includes Silent Close, Quick-Release seat and solid metal tank lever in Polished Chrome finish
- Antimicrobial MicroGlaze™ stain-resistant finish
- Fully glazed 2-1/8" internal trapway
- Oversized 3" flush valve
- Limited lifetime warranty on ceramic



MODEL NUMBERS

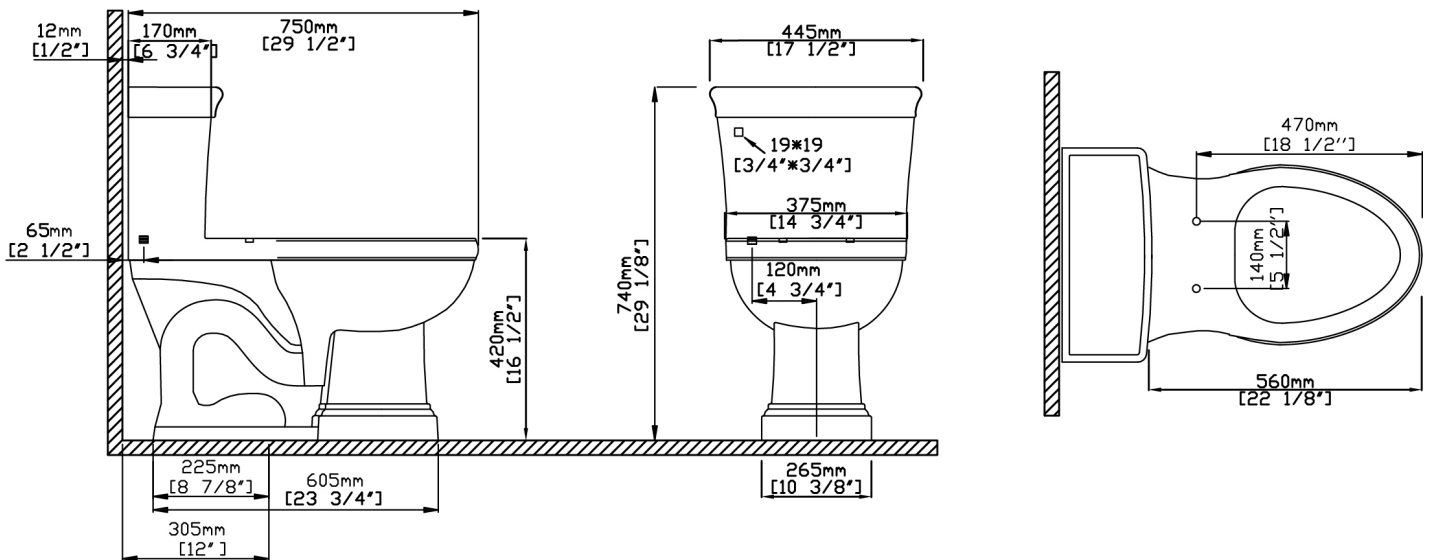
DESCRIPTION	FINISH/ LEVER PLACEMENT	MODEL NO.
One-Piece Toilet, 1.28gpf Elongated Includes Silent Close, Quick-Release Seat & Tank Lever in Polished Chrome Finish	White, LH	C-2320.01

HARDWARE & REPLACEMENT PARTS

Tank Lever*	F-65.xxx (standard: Polished Chrome)	Seat Caps*	SC-242.01 (standard: White Plastic)
Fill Valve	VL-5801	Floor Bolt Caps	MC-505.01
Flush Valve	VH-5801.16	Seat	S-242.01
Flapper	9400.580.01	Seat Bolt Set	SB-242-S.01
Tank Lid	N-2320.01		

*See opposite page for optional lever / cap finishes. Seat caps available only in .500, .502, and .503 finishes.

SPECIFICATIONS



IMPORTANT: Dimensions are nominal and may vary within the range of tolerance per NSI Standard A112.19.2. These measurements are subject to change. No responsibility is assumed for use of superseded or voided pages.

Codes/Standards:

- Meets or exceeds ASME A112.19.2-2018/CSA B-45.1-18
- Certifications: IAPMO, EPA WaterSense, State of Mass., CEC and others
- Code compliance: cUPC, IPC, NPC Canada and others
- ADA compliant (when installed with trip lever located on the approach side)