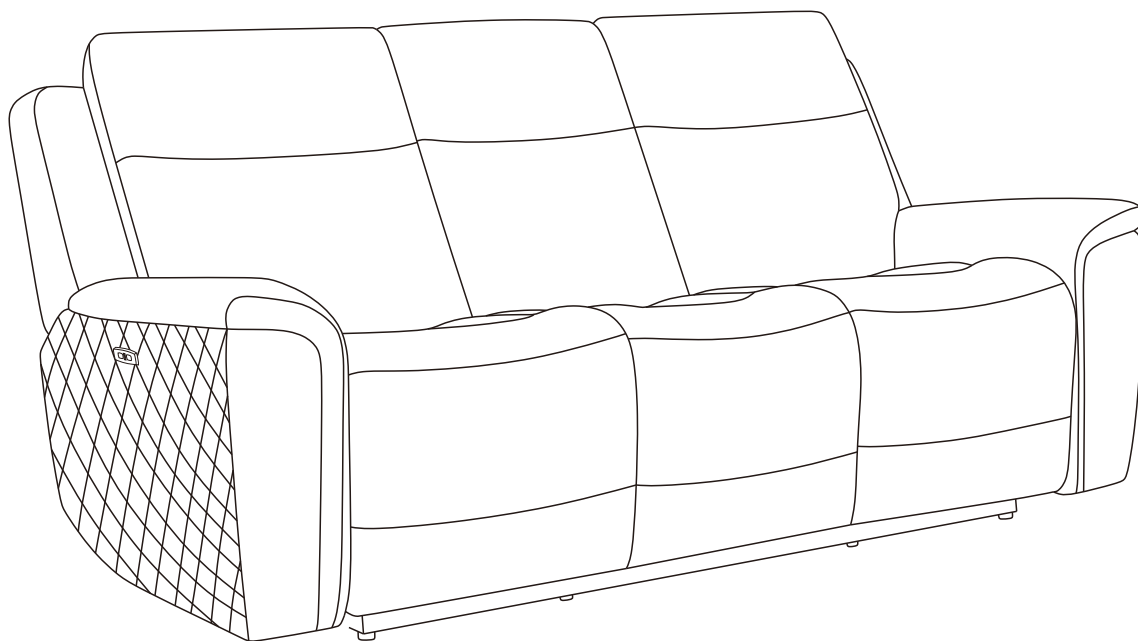


## Zero Gravity Power Recline Sofa KM.6032B Assembly Manual



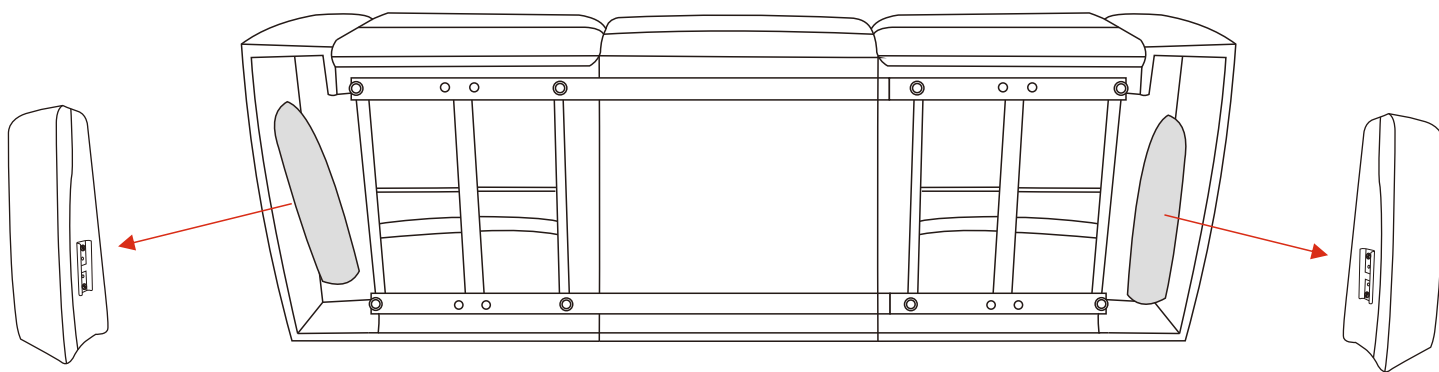
**⚠ CAUTION**

THIS ASSEMBLY MANUAL CONTAINS IMPORTANT SAFETY INFORMATION.  
PLEASE READ AND KEEP FOR FUTURE REFERENCE.

## ASSEMBLY

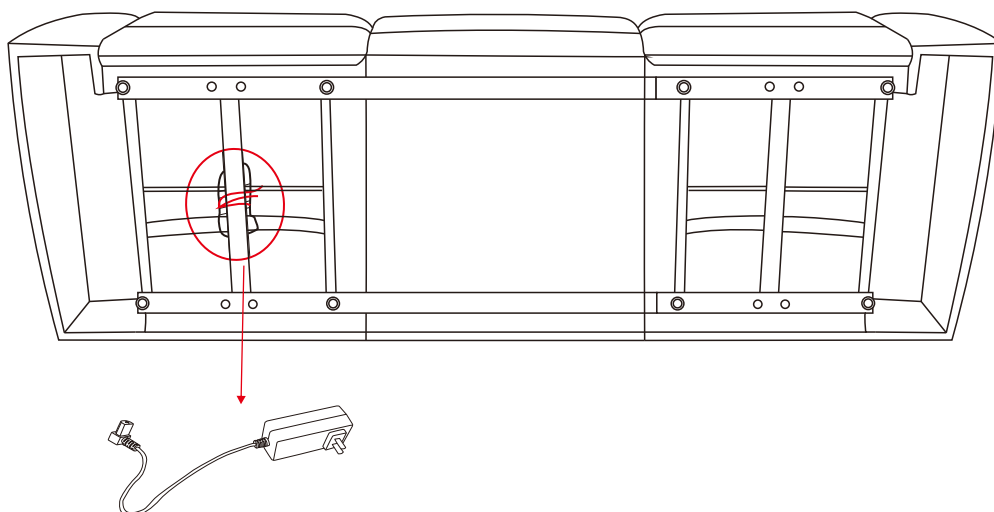
### Step 1

Take out 2 back ears at the bottom of the sofa.



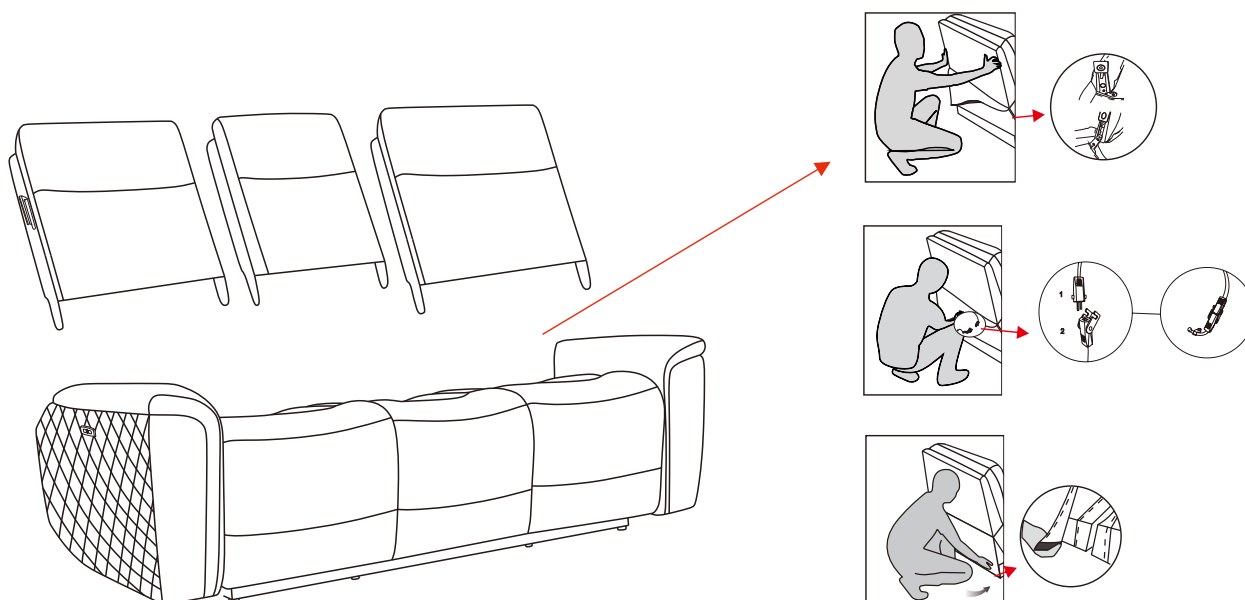
### Step 2

Take out and unwarp the cable placed at the bottom of the sofa.



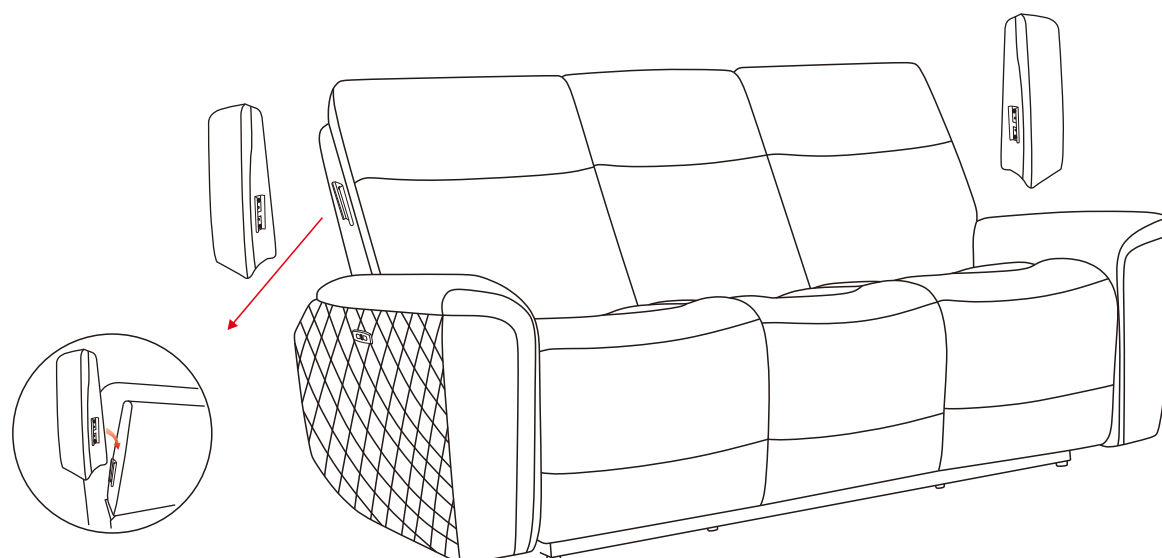
## Step 3

Connect the wires between the backrest and the seat cushion, and attach the Velcro to the back seal.



## Step 4

Insert 2 back ears by sliding into the connectors.



## Step 5

Connect one end of the power cord into the DC adaptor located at the back of the seat. Plug the other end of power cord into the power outlet.

