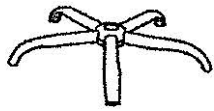


Chair



A x1



B x1



C x1



D x1



E x1



F x4

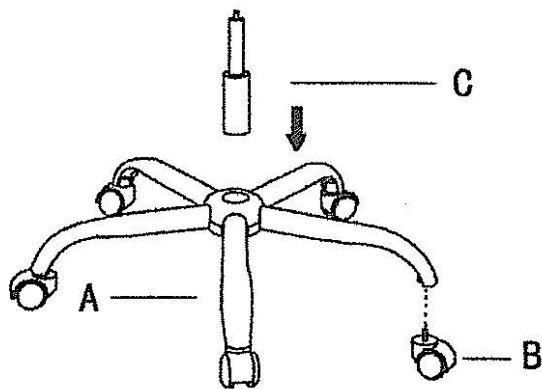


G x4

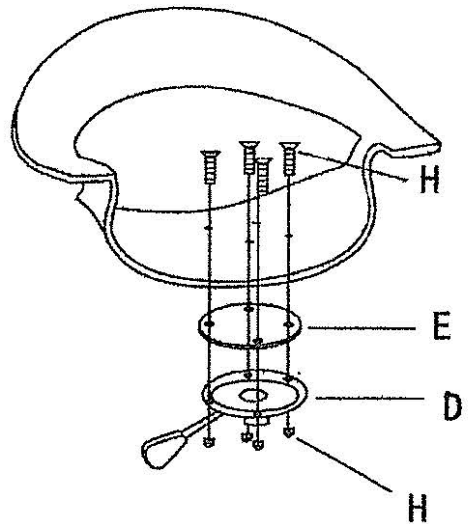


H x1

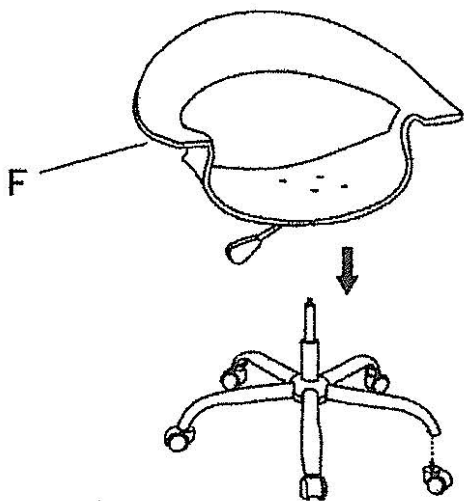
①



②



③



④

