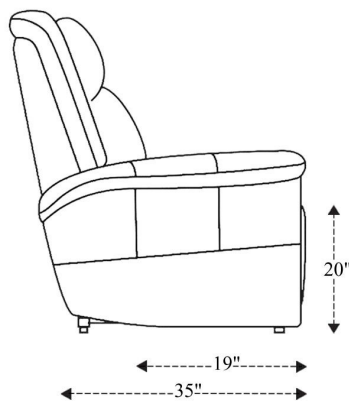


# MGEM#812LIFT

## Power Lift Recliner with Articulating Headrest



Overall Dimensions	32.5" x 35" x 42.5"
Overall Width	32.5"
Overall Depth	35"
Overall Height	42.5"
Overall Weight	107.8 lbs.
Fully Reclined	60.5"
Distance from Wall	14"
Back of Seat to end of Chaise	38"
Leg Height <small>(Distance from Foot Rest to Floor in Full Recline)</small>	24"
Head Height <small>(Distance from Headrest to Floor in Full Recline)</small>	35"

Seat Width	22.5"
Seat Depth	19"
Seat Height	20"
Arm Width	5"
Arm Depth	19"
Arm Height	24.5"
Back Width	21.5"
Back Height	24"
Headrest Extended from Back	--